



US00D659878S

(12) **United States Design Patent**  
**Rashidi**

(10) **Patent No.:** **US D659,878 S**

(45) **Date of Patent:** **\*\* May 15, 2012**

(54) **LED RETROFIT RECESSED LIGHT**

(75) Inventor: **Hamid Rashidi**, Commerce, CA (US)

(73) Assignee: **Elite Lighting**, Commerce, CA (US)

(\*\*) Term: **14 Years**

(21) Appl. No.: **29/349,045**

(22) Filed: **Mar. 2, 2010**

(51) **LOC (9) Cl.** ..... **26-05**

(52) **U.S. Cl.** ..... **D26/74**

(58) **Field of Classification Search** ..... D26/24,  
D26/72, 74, 80, 81, 83, 85, 88, 61, 63, 118;  
362/576, 89, 145, 147, 148, 150, 151, 152,  
362/153, 153.1, 294, 296.01, 311.02, 311.07,  
362/364, 365, 366, 373

See application file for complete search history.

(56) **References Cited**

**U.S. PATENT DOCUMENTS**

D326,537 S \* 5/1992 Gattari ..... D26/74  
D573,294 S \* 7/2008 Chan et al. .... D26/74  
D591,894 S \* 5/2009 Flank ..... D26/74

D595,005 S \* 6/2009 Chou ..... D26/74  
D610,289 S \* 2/2010 Yoshinobu et al. .... D26/74  
D610,290 S \* 2/2010 Yoshinobu et al. .... D26/74  
D610,291 S \* 2/2010 Yoshinobu et al. .... D26/74  
D624,691 S \* 9/2010 Zhang et al. .... D26/138  
2010/0039829 A1\* 2/2010 Tsai ..... 362/373  
2010/0061108 A1\* 3/2010 Zhang et al. .... 362/364  
2010/0195327 A1\* 8/2010 Inoue et al. .... 362/235

\* cited by examiner

*Primary Examiner* — Angela J Lee

(74) *Attorney, Agent, or Firm* — Thomas I. Rozsa

(57) **CLAIM**

The ornamental design for an LED retrofit recessed light, as shown and described.

**DESCRIPTION**

FIG. 1 is a perspective view of the LED retrofit recessed light, showing my design;

FIG. 2 is a front elevational view thereof;

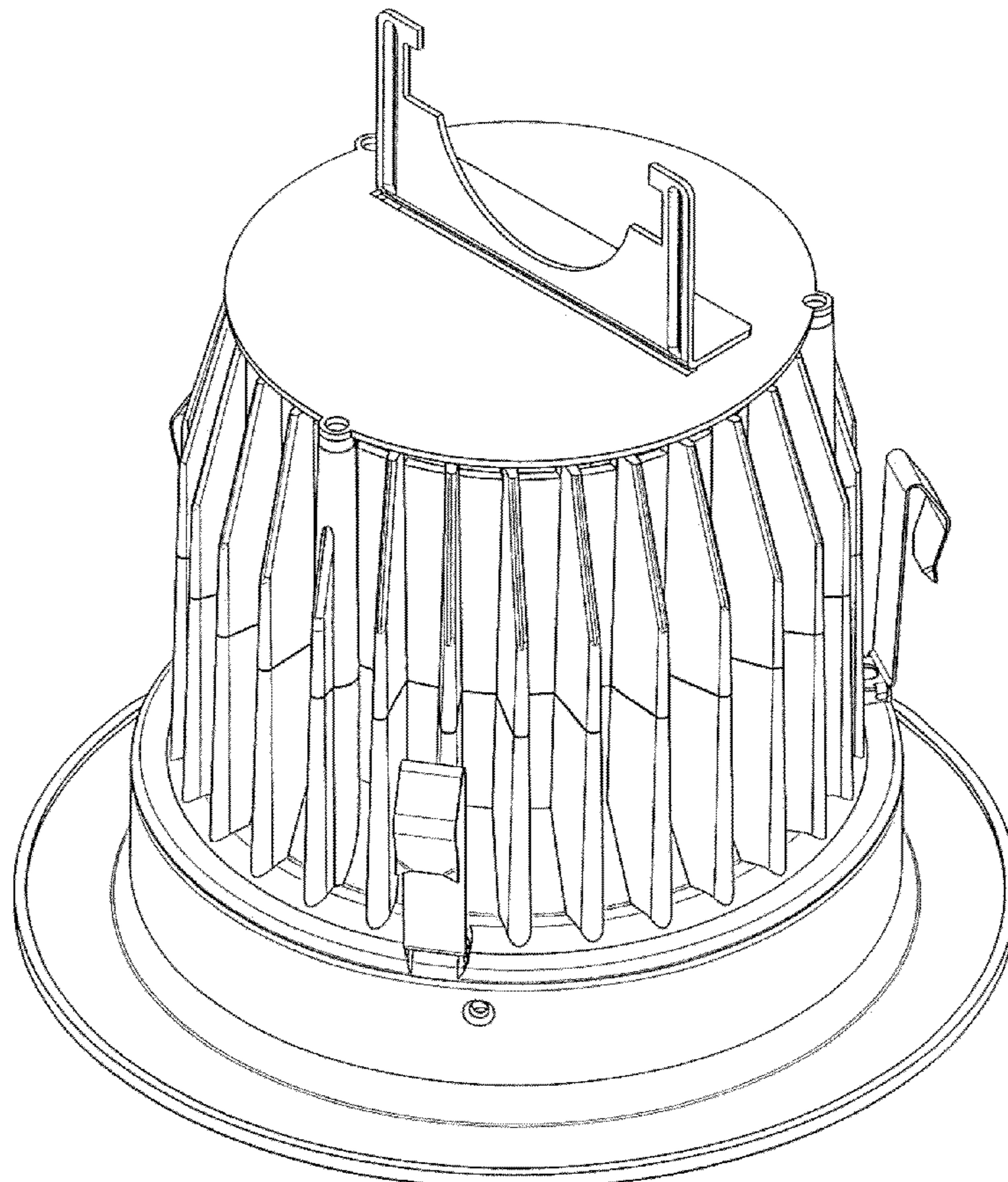
FIG. 3 is a rear elevational view thereof;

FIG. 4 is a left side elevational view thereof;

FIG. 5 is a right side elevational view thereof; and,

FIG. 6 is a top plan view thereof.

**1 Claim, 6 Drawing Sheets**



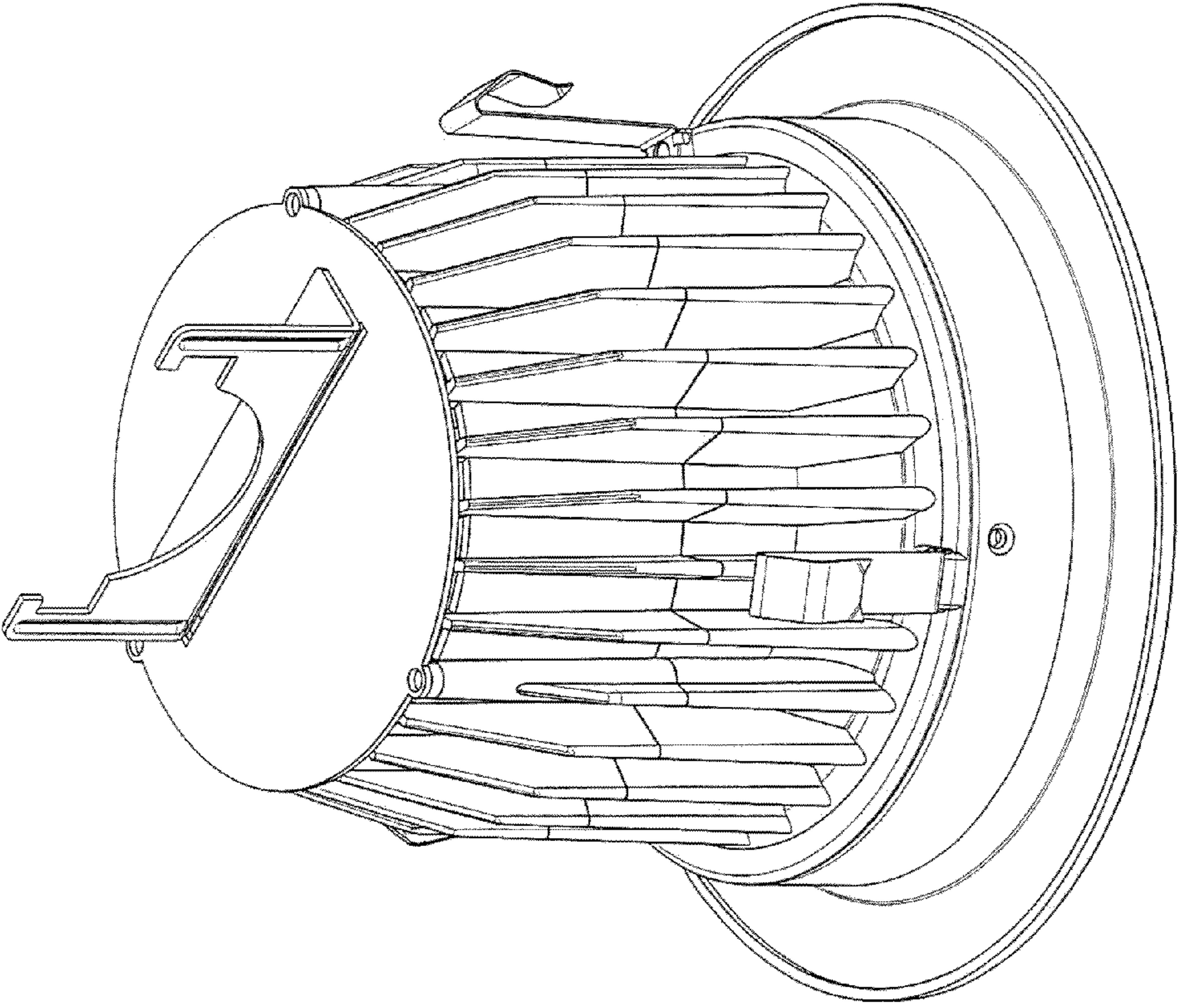


FIG. 1

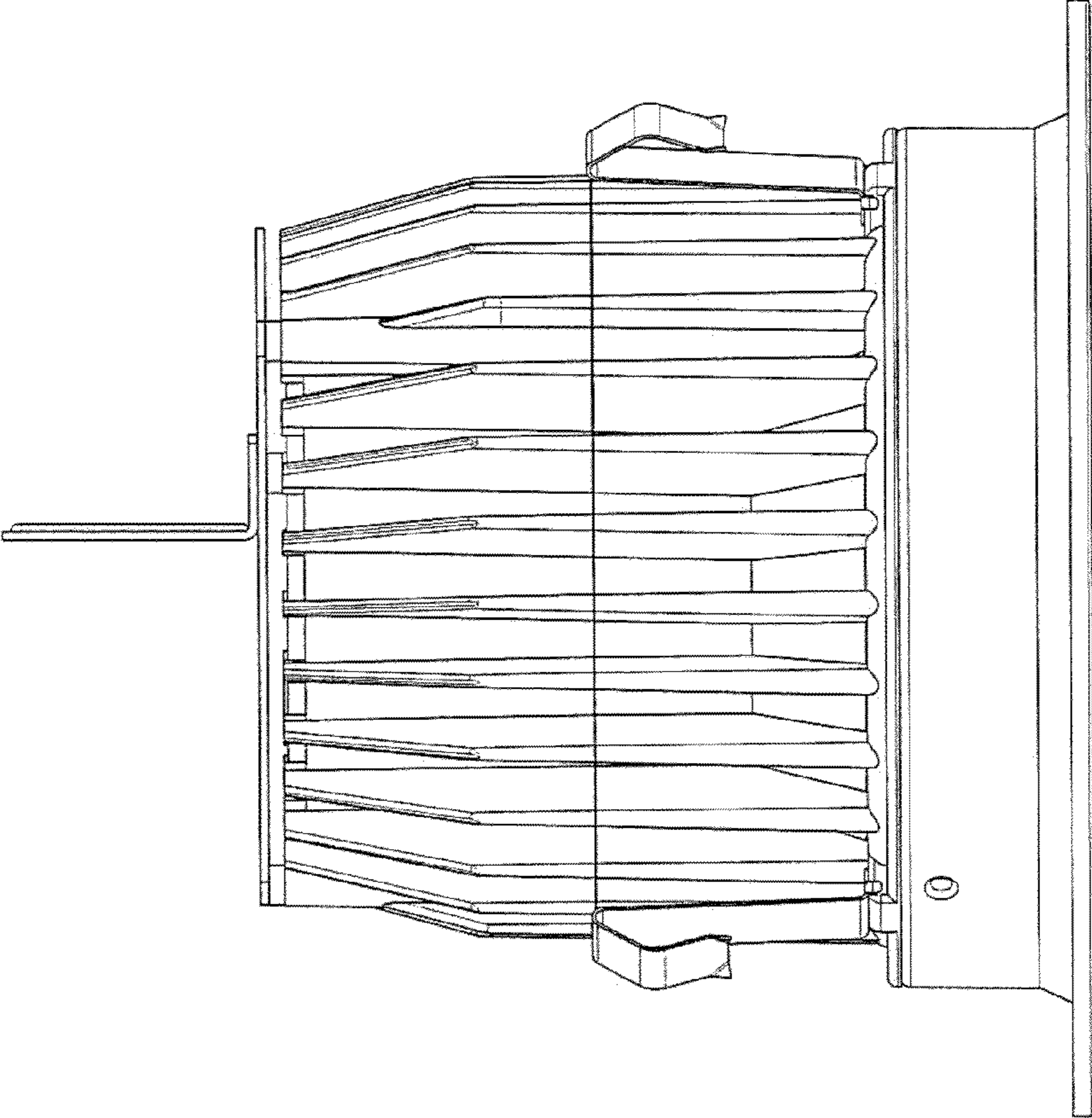


FIG. 2

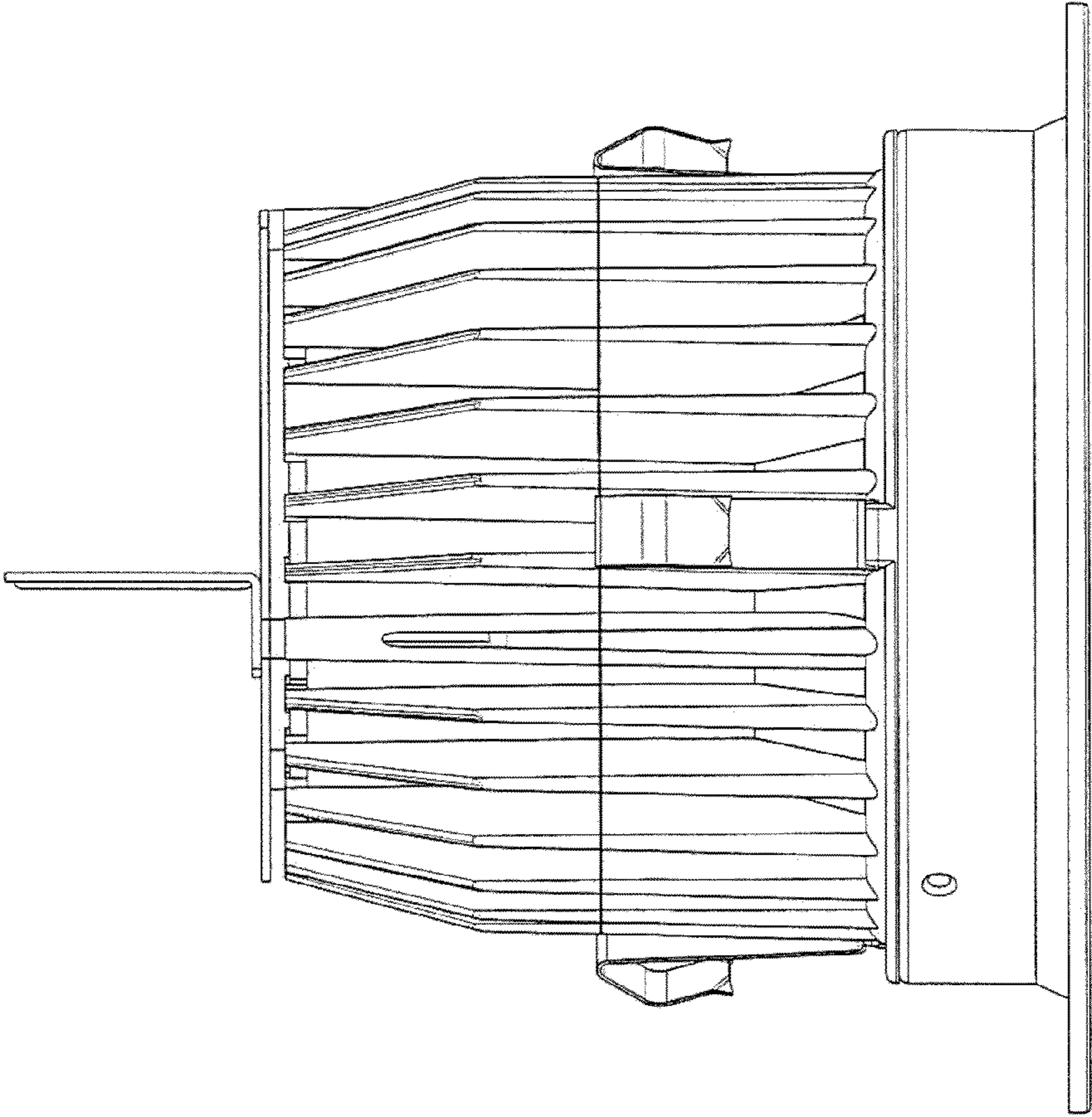


FIG. 3

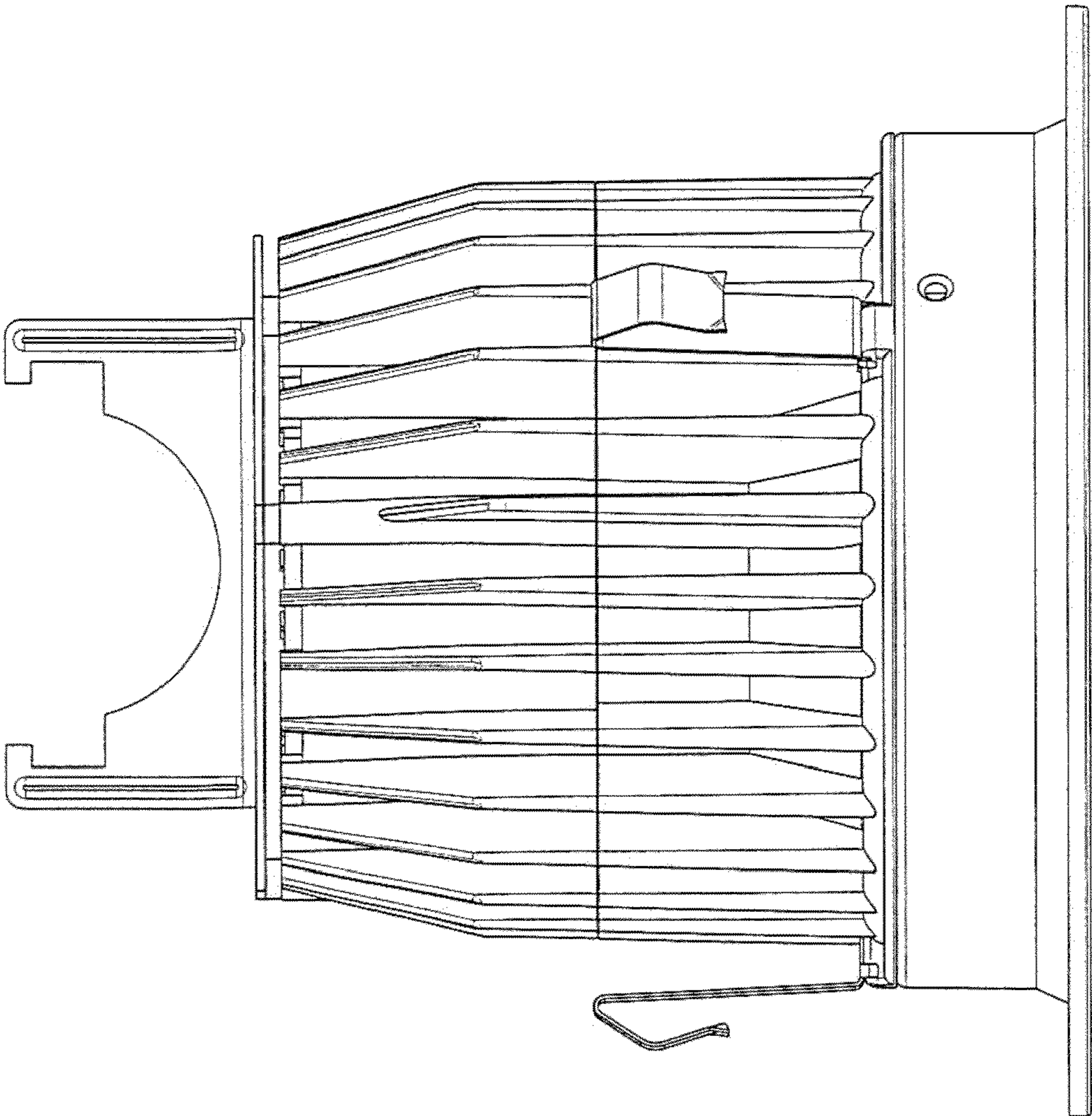


FIG.4

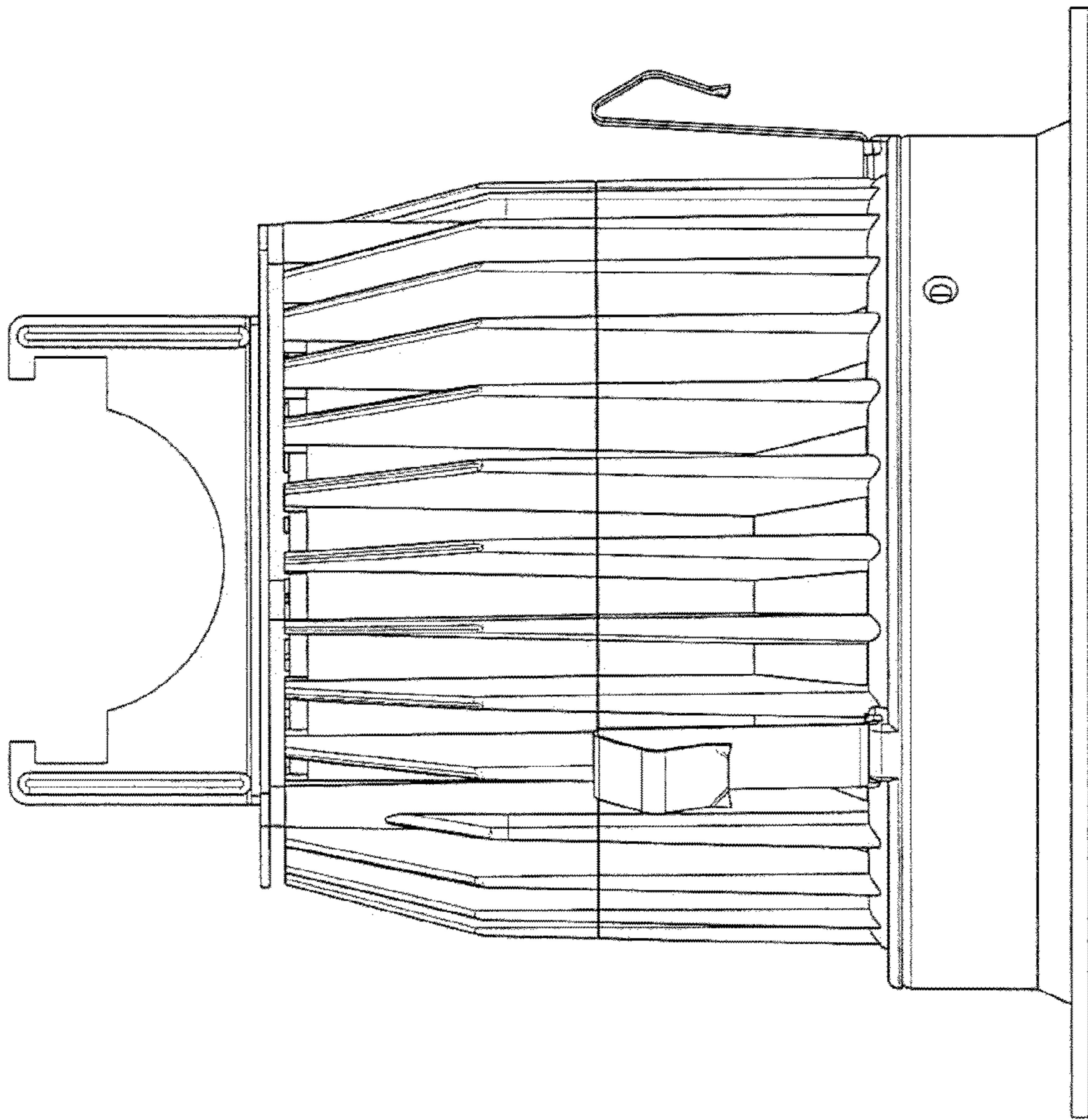


FIG. 5

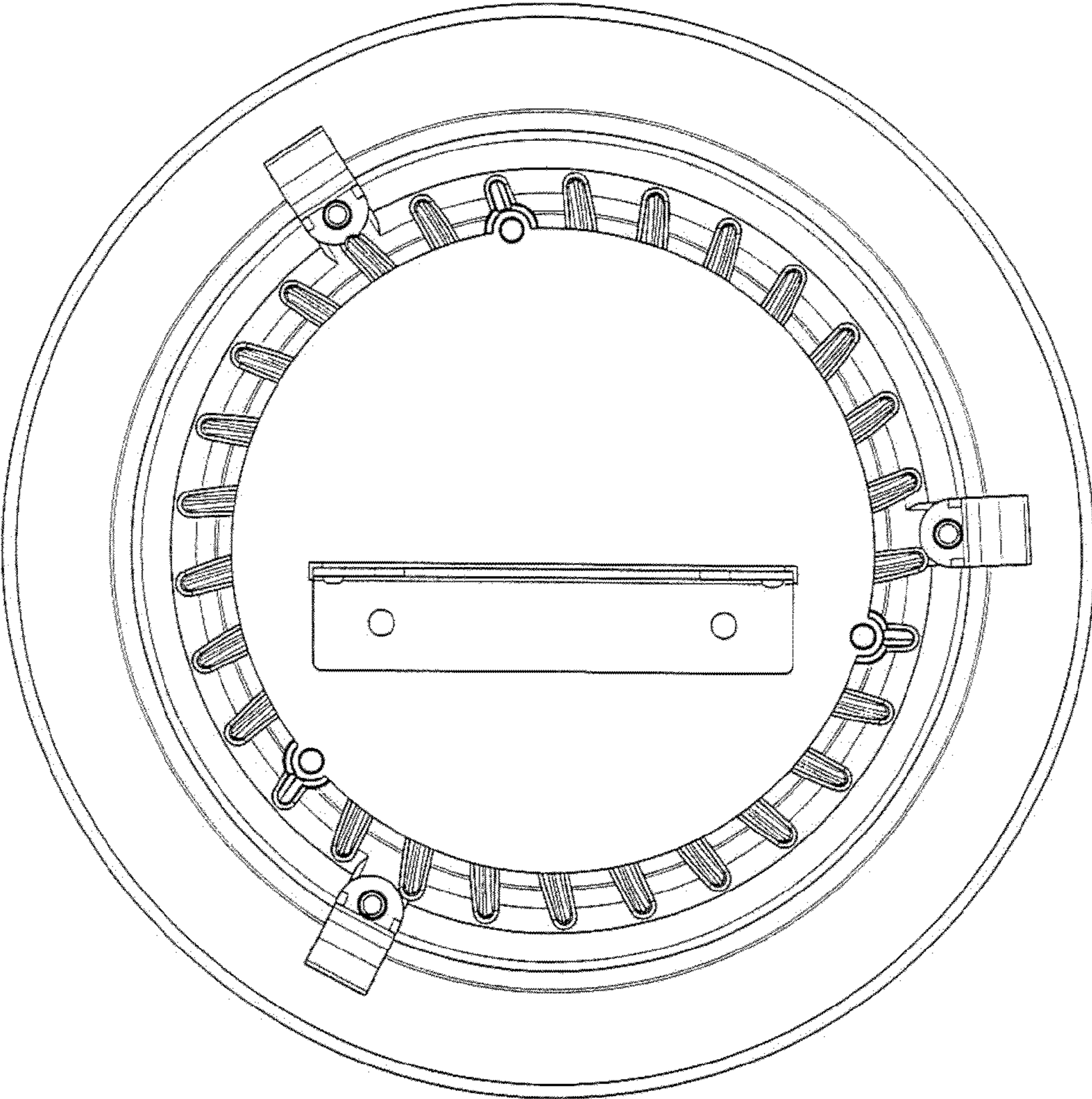


FIG. 6