



US00D659877S

(12) **United States Design Patent**  
**Pelken**

(10) **Patent No.:** **US D659,877 S**

(45) **Date of Patent:** **\*\* May 15, 2012**

(54) **STREET LIGHT**

(75) Inventor: **Paul Michael Pelken**, Syracuse, NY  
(US)

(73) Assignee: **Syracuse University**, Syracuse, NY  
(US)

(\*\*) Term: **14 Years**

(21) Appl. No.: **29/394,587**

(22) Filed: **Jun. 18, 2011**

(51) **LOC (9) Cl.** ..... **26-05**

(52) **U.S. Cl.** ..... **D26/71; D26/68**

(58) **Field of Classification Search** ..... D26/67-71,  
D26/92; 362/102, 120, 183, 249.02, 431  
See application file for complete search history.

(56) **References Cited**

**U.S. PATENT DOCUMENTS**

|               |         |                 |       |         |
|---------------|---------|-----------------|-------|---------|
| D47,218 S *   | 4/1915  | Bouchery        | ..... | D26/67  |
| D195,991 S *  | 8/1963  | Pettengill      | ..... | D26/71  |
| D196,981 S *  | 11/1963 | Pettengill      | ..... | D26/67  |
| D197,381 S *  | 1/1964  | Müller          | ..... | D26/67  |
| D198,639 S *  | 7/1964  | Atkin et al.    | ..... | D26/67  |
| D218,985 S *  | 10/1970 | Anderson, Jr.   | ..... | D26/67  |
| 3,721,516 A * | 3/1973  | Reese           | ..... | 431/202 |
| D227,925 S *  | 7/1973  | Husby et al.    | ..... | D26/67  |
| D239,860 S *  | 5/1976  | Scarpa          | ..... | D26/68  |
| 5,134,550 A * | 7/1992  | Young           | ..... | 362/560 |
| D338,080 S *  | 8/1993  | Elazari         | ..... | D26/68  |
| D341,221 S *  | 11/1993 | Elazari         | ..... | D26/68  |
| D445,523 S *  | 7/2001  | Skradski et al. | ..... | D26/68  |

|              |         |                 |       |        |
|--------------|---------|-----------------|-------|--------|
| D450,150 S * | 11/2001 | Skradski et al. | ..... | D26/68 |
| D529,218 S * | 9/2006  | Wen             | ..... | D26/68 |
| D529,652 S * | 10/2006 | Hon et al.      | ..... | D26/67 |
| D541,967 S * | 5/2007  | Rahir           | ..... | D26/67 |
| D551,790 S * | 9/2007  | Richmond        | ..... | D26/67 |
| D554,792 S * | 11/2007 | Sanoner         | ..... | D26/68 |
| D556,933 S * | 12/2007 | Sanoner         | ..... | D26/68 |
| D571,496 S * | 6/2008  | Lenz            | ..... | D26/68 |
| D574,535 S * | 8/2008  | Sanoner         | ..... | D26/67 |
| D625,037 S * | 10/2010 | Liang           | ..... | D26/68 |

**OTHER PUBLICATIONS**

Sustainable City Light designed for the Phillips Simplicity Event in 2008. Found online at Inhabitat.com, visited May 12, 2010.\*

\* cited by examiner

*Primary Examiner* — Clare E Heflin

(74) *Attorney, Agent, or Firm* — David L. Nocilly

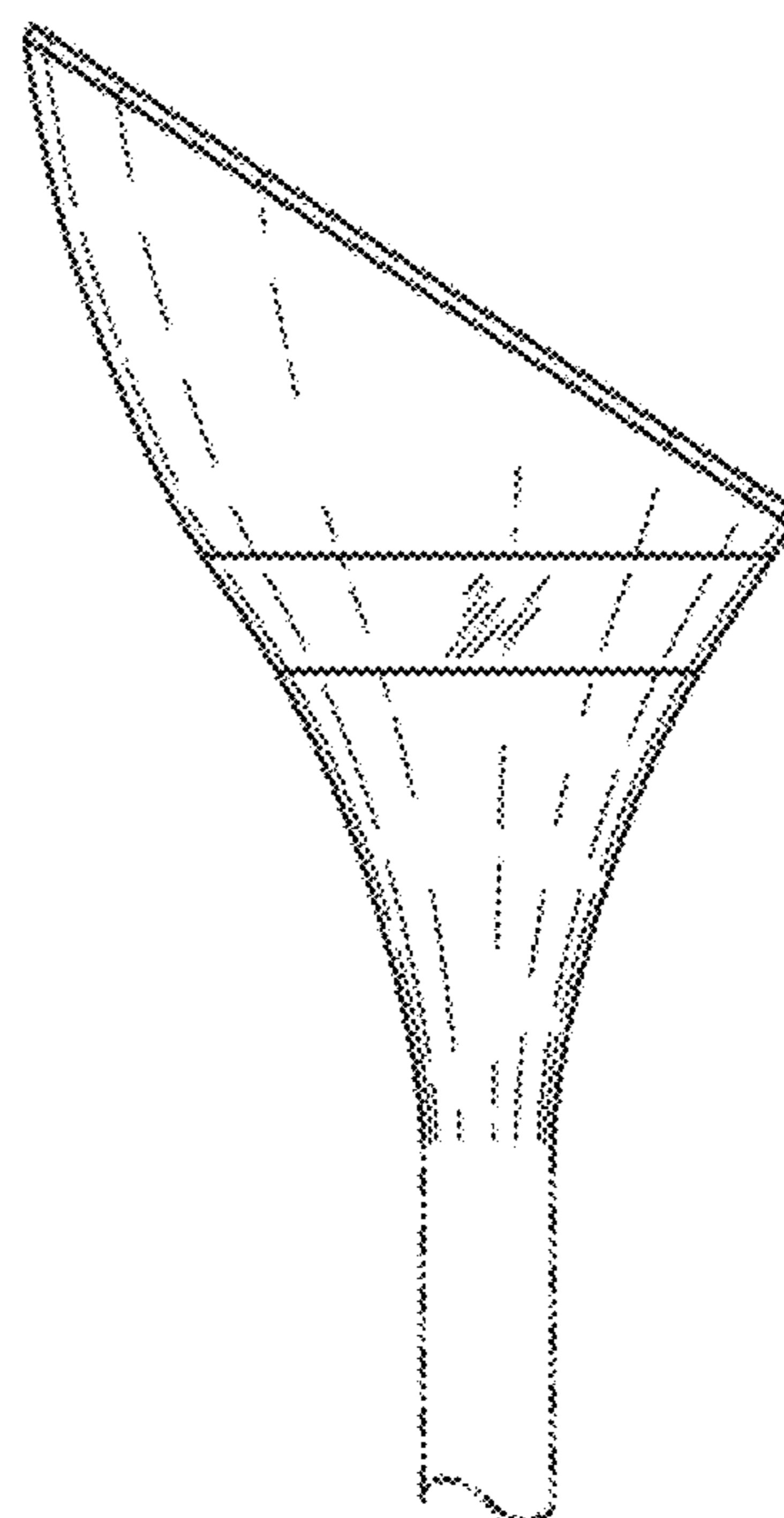
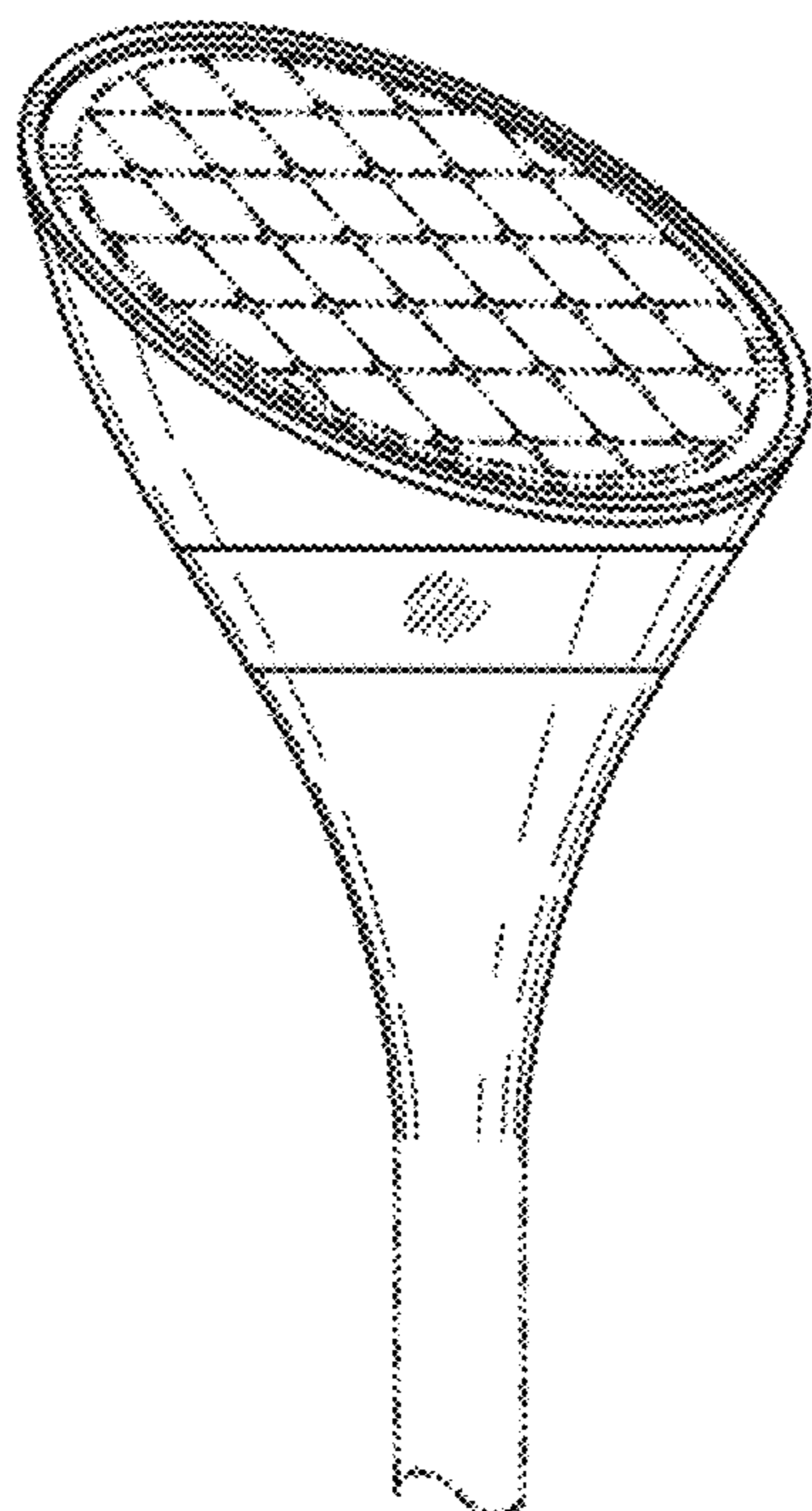
(57) **CLAIM**

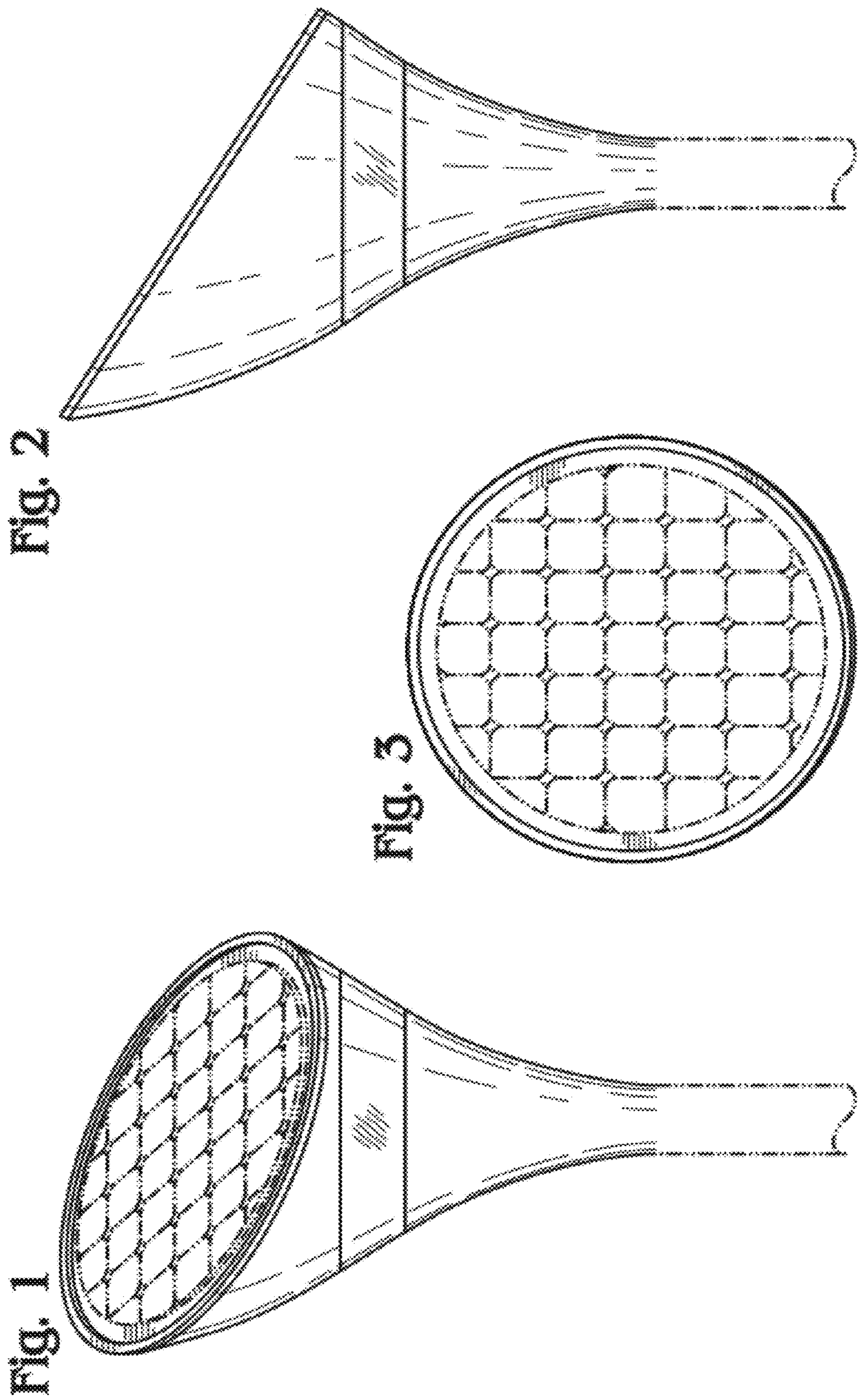
The ornamental design for a street light, as shown and described.

**DESCRIPTION**

FIG. 1 is a perspective view of a new and ornamental design for a street light with portions shown in phantom for environment only and forming no part of the claimed invention; FIG. 2 is a left side elevation view thereof; FIG. 3 is a top plan view thereof; FIG. 4 is a front elevation view thereof; FIG. 5 is a back elevation view thereof; and, FIG. 6 is a bottom plan view thereof.

**1 Claim, 2 Drawing Sheets**





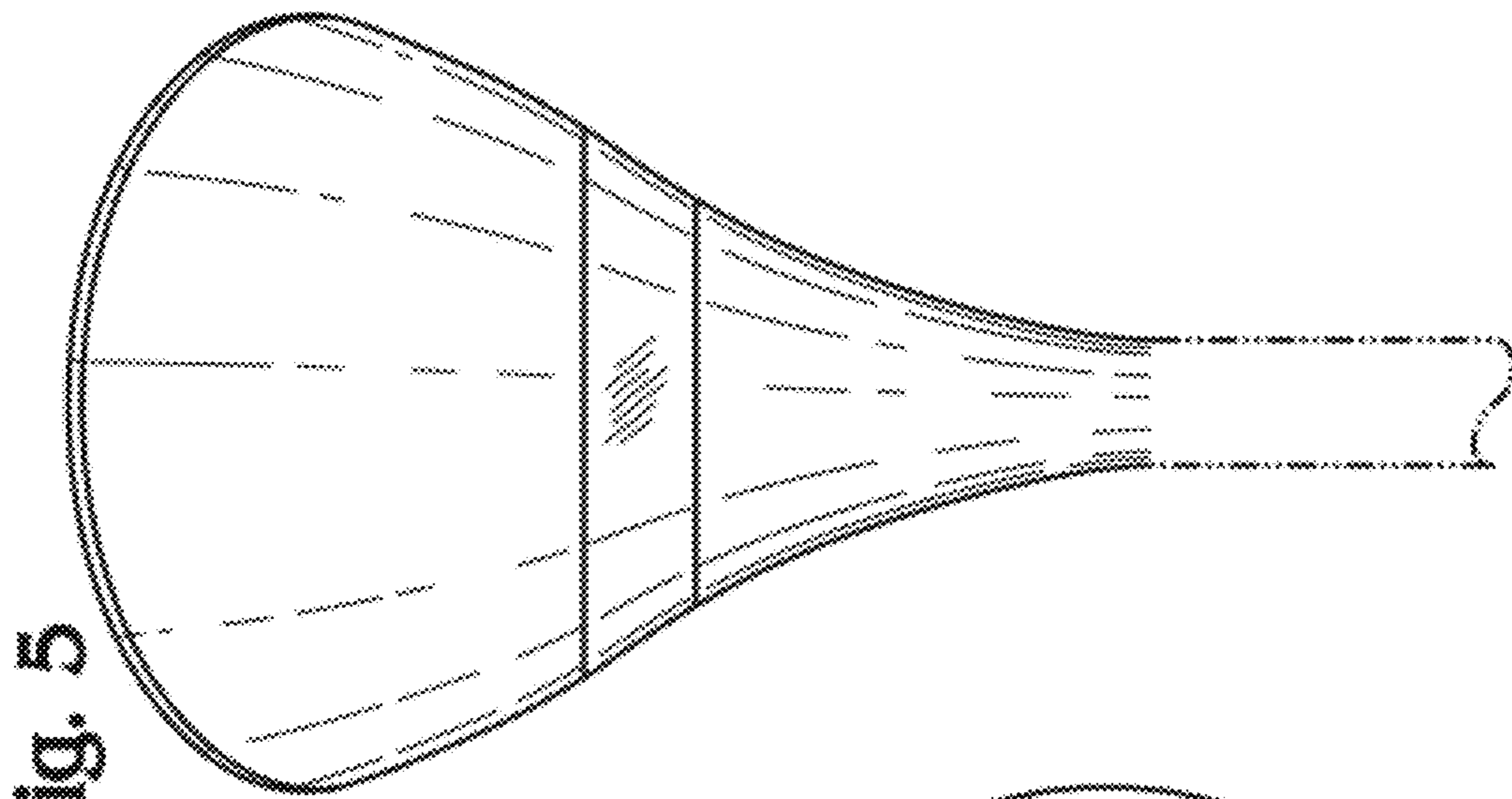


Fig. 5

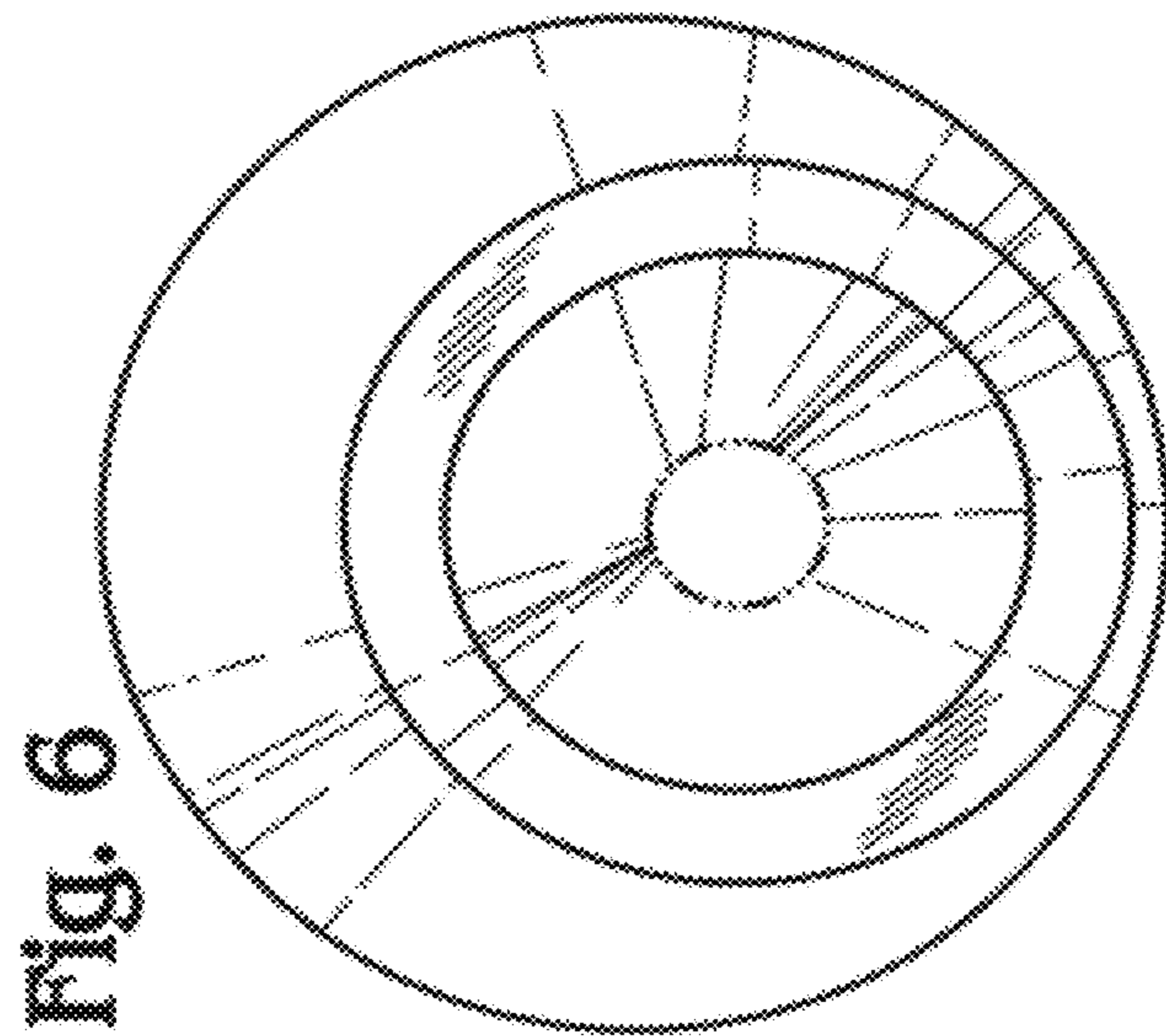


Fig. 6

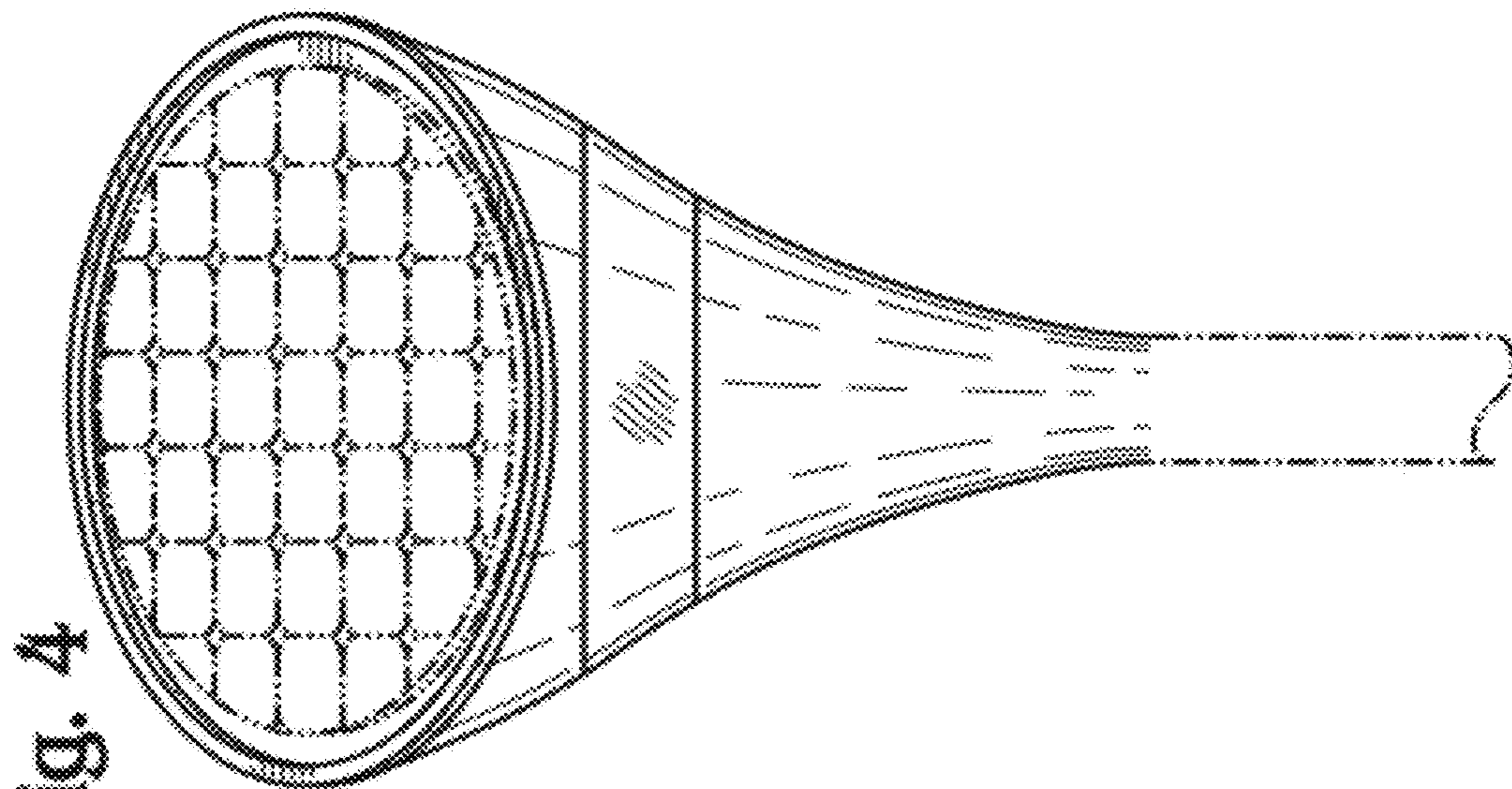


Fig. 4