

US00D659874S

(12) **United States Design Patent**
Pelken

(10) **Patent No.:** **US D659,874 S**
(45) **Date of Patent:** **** May 15, 2012**

(54) **STREET LIGHT**

(75) Inventor: **Paul Michael Pelken**, Syracuse, NY
(US)

(73) Assignee: **Syracuse University**, Syracuse, NY
(US)

(**) Term: **14 Years**

(21) Appl. No.: **29/394,584**

(22) Filed: **Jun. 18, 2011**

(51) **LOC (9) Cl.** **26-05**

(52) **U.S. Cl.** **D26/71; D26/68**

(58) **Field of Classification Search** D26/67-71,
D26/92; 362/102, 120, 183, 249.02, 431
See application file for complete search history.

(56) **References Cited**

U.S. PATENT DOCUMENTS

D47,218 S *	4/1915	Bouchery	D26/67
D195,991 S *	8/1963	Pettengill	D26/71
D196,981 S *	11/1963	Pettengill	D26/67
D197,381 S *	1/1964	Muller	D26/67
D198,639 S *	7/1964	Atkin et al.	D26/67
D218,985 S *	10/1970	Anderson, Jr.	D26/67
3,721,516 A *	3/1973	Reese	431/202
D227,925 S *	7/1973	Husby et al.	D26/67
D239,860 S *	5/1976	Scarpa	D26/68
5,134,550 A *	7/1992	Young	362/560
D338,080 S *	8/1993	Elazari	D26/68
D341,221 S *	11/1993	Elazari	D26/68
D445,523 S *	7/2001	Skradski et al.	D26/68
D450,150 S *	11/2001	Skradski et al.	D26/68
D529,218 S *	9/2006	Wen	D26/68

D529,652 S *	10/2006	Hon et al.	D26/67
D541,967 S *	5/2007	Rahir	D26/67
D551,790 S *	9/2007	Richmond	D26/67
D554,792 S *	11/2007	Sanoner	D26/68
D556,933 S *	12/2007	Sanoner	D26/68
D571,496 S *	6/2008	Lenz	D26/68
D574,535 S *	8/2008	Sanoner	D26/67
D625,037 S *	10/2010	Liang	D26/68

OTHER PUBLICATIONS

Sustainable City Light designed for the Phillips Simplicity Event in 2008. Found online at Inhabitat.com, visited May 12, 2010.*

* cited by examiner

Primary Examiner — Clare E Heflin

(74) *Attorney, Agent, or Firm* — David L. Nocilly; Bond Schoeneck & King

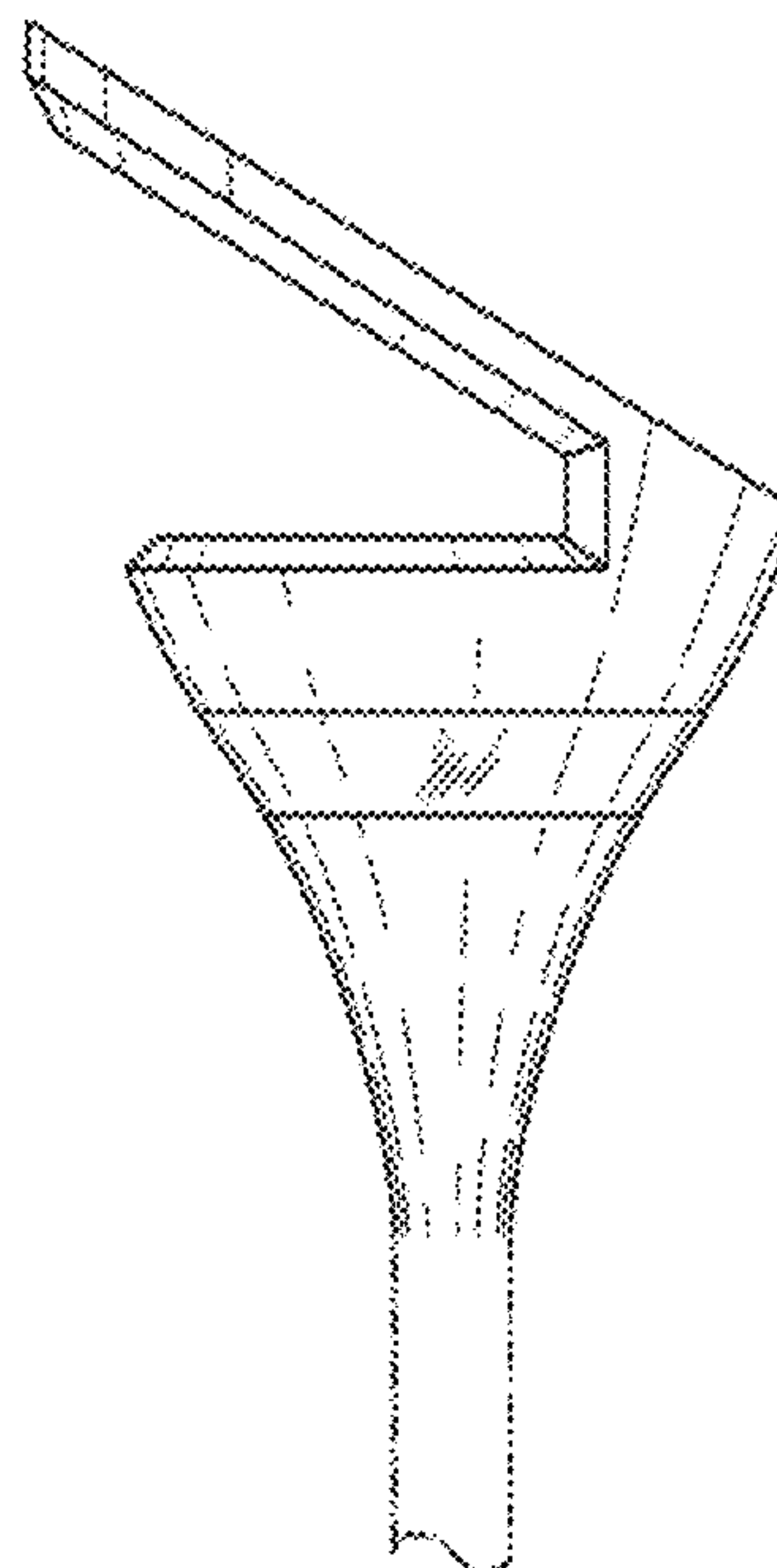
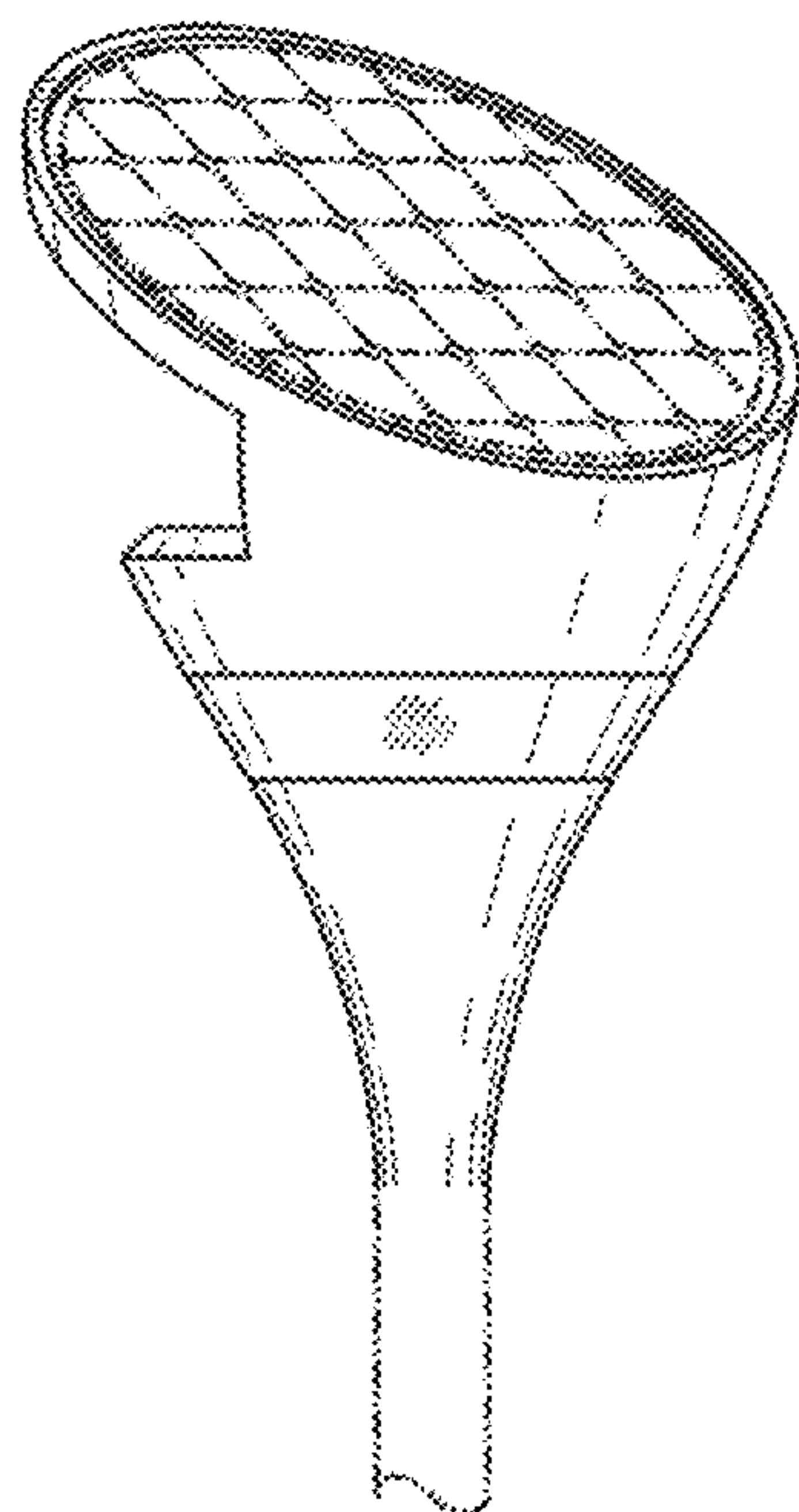
(57) **CLAIM**

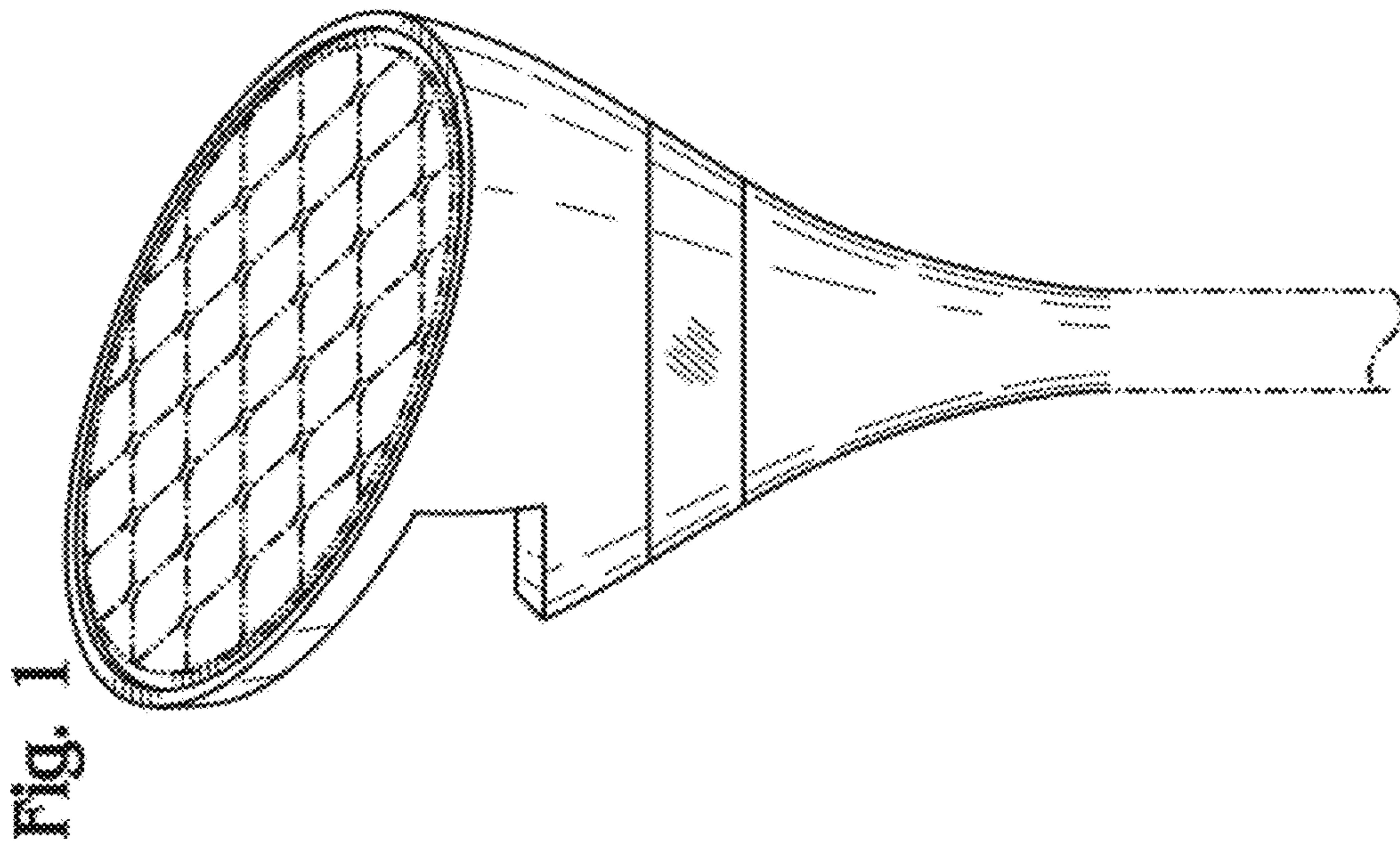
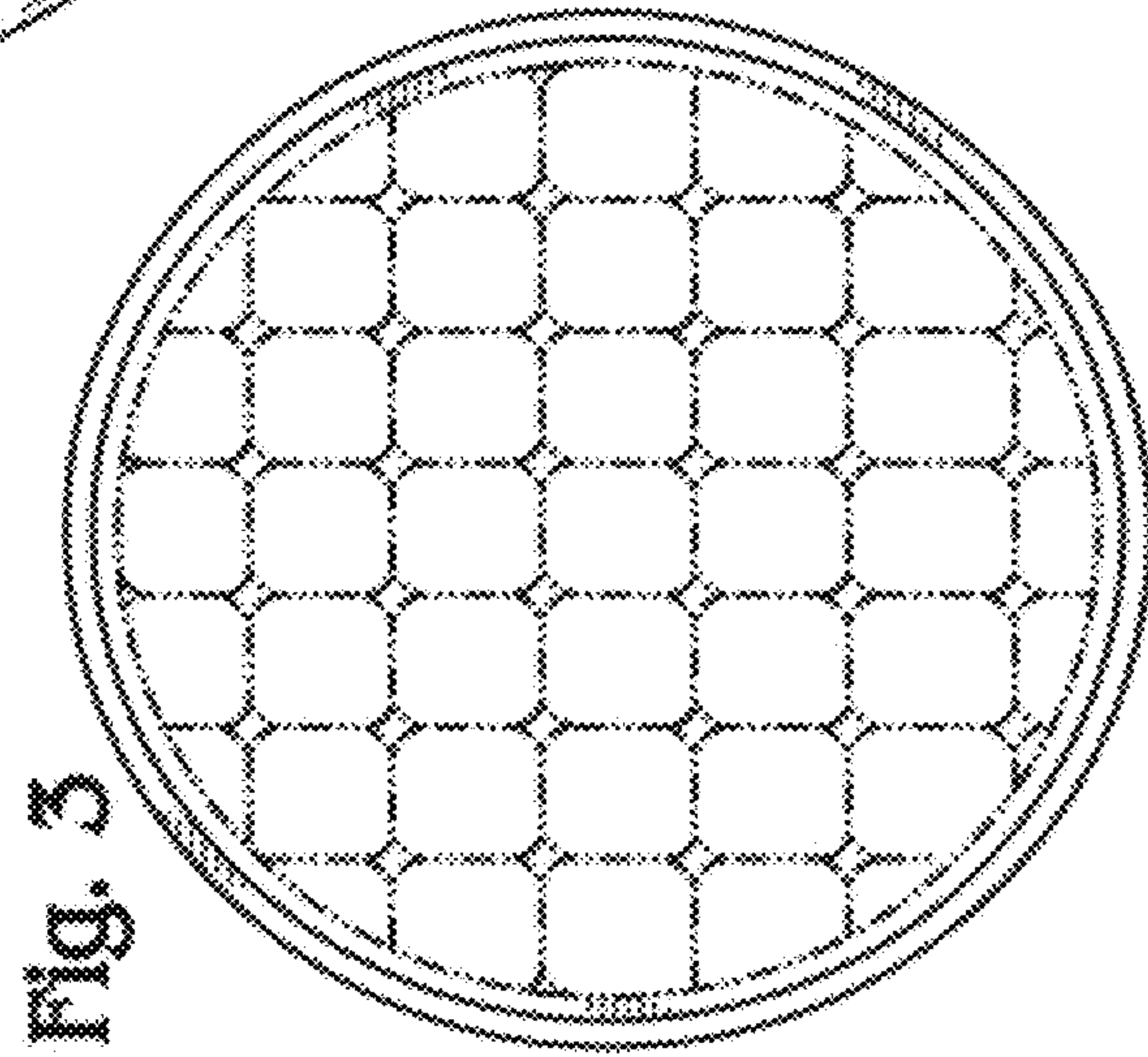
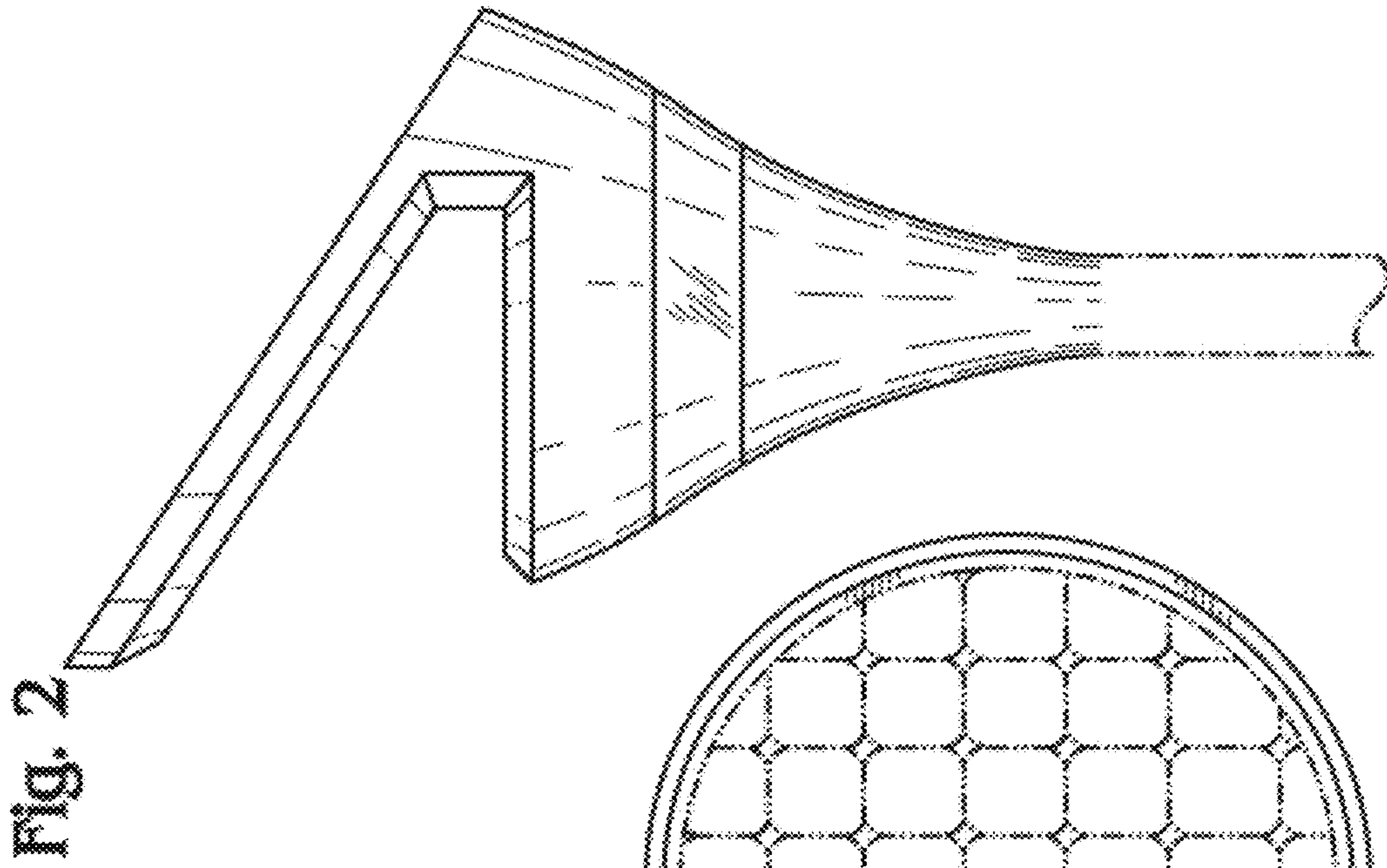
The ornamental design for a street light, as shown and described.

DESCRIPTION

FIG. 1 is a perspective view of a new and ornamental design for a street light with portions shown in phantom for environment only and forming no part of the claimed invention; FIG. 2 is a left side elevation view thereof; FIG. 3 is a top plan view thereof; FIG. 4 is a front elevation view thereof; FIG. 5 is a back elevation view thereof; and, FIG. 6 is a bottom plan view thereof.

1 Claim, 2 Drawing Sheets





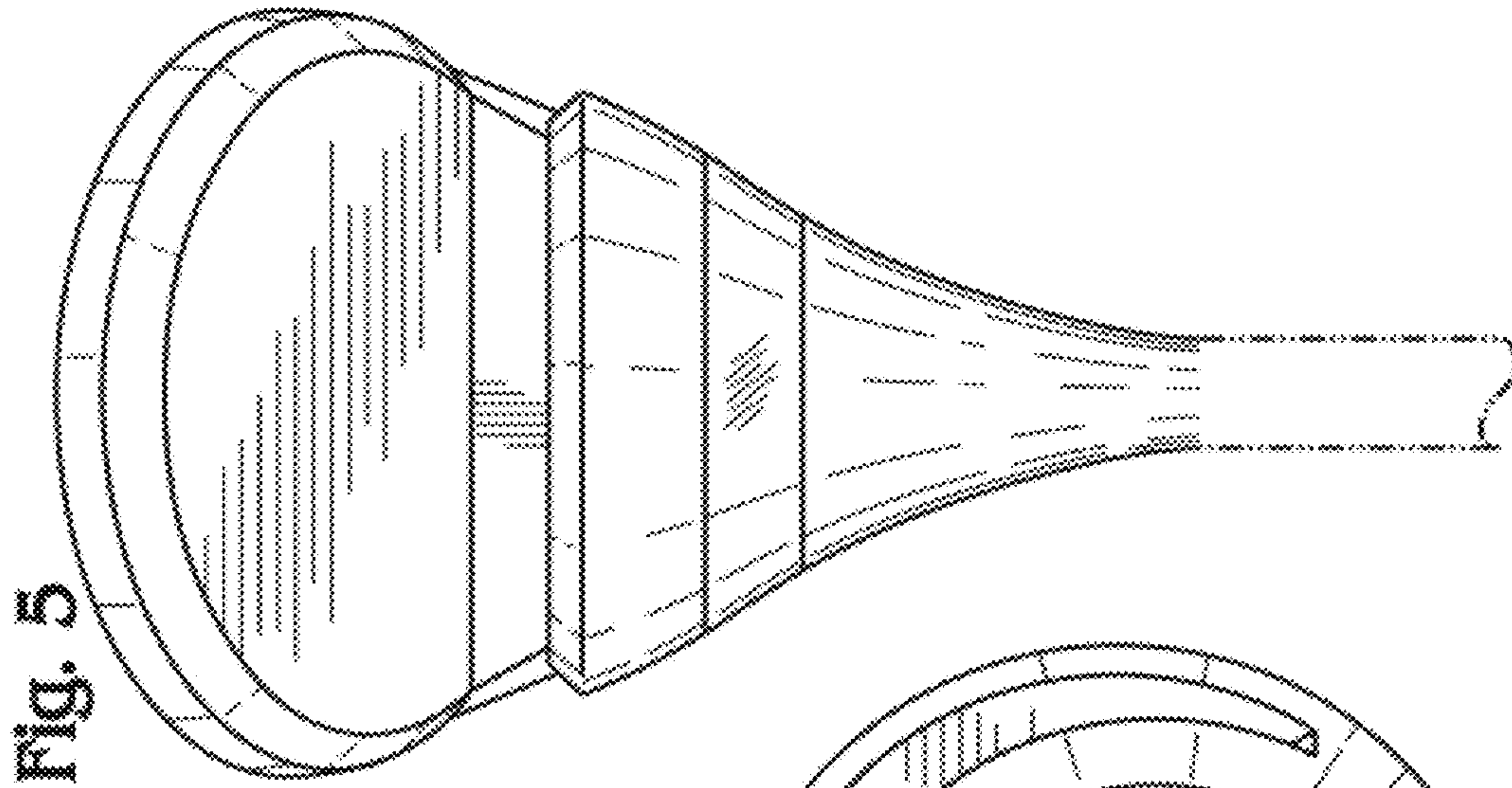


Fig. 5

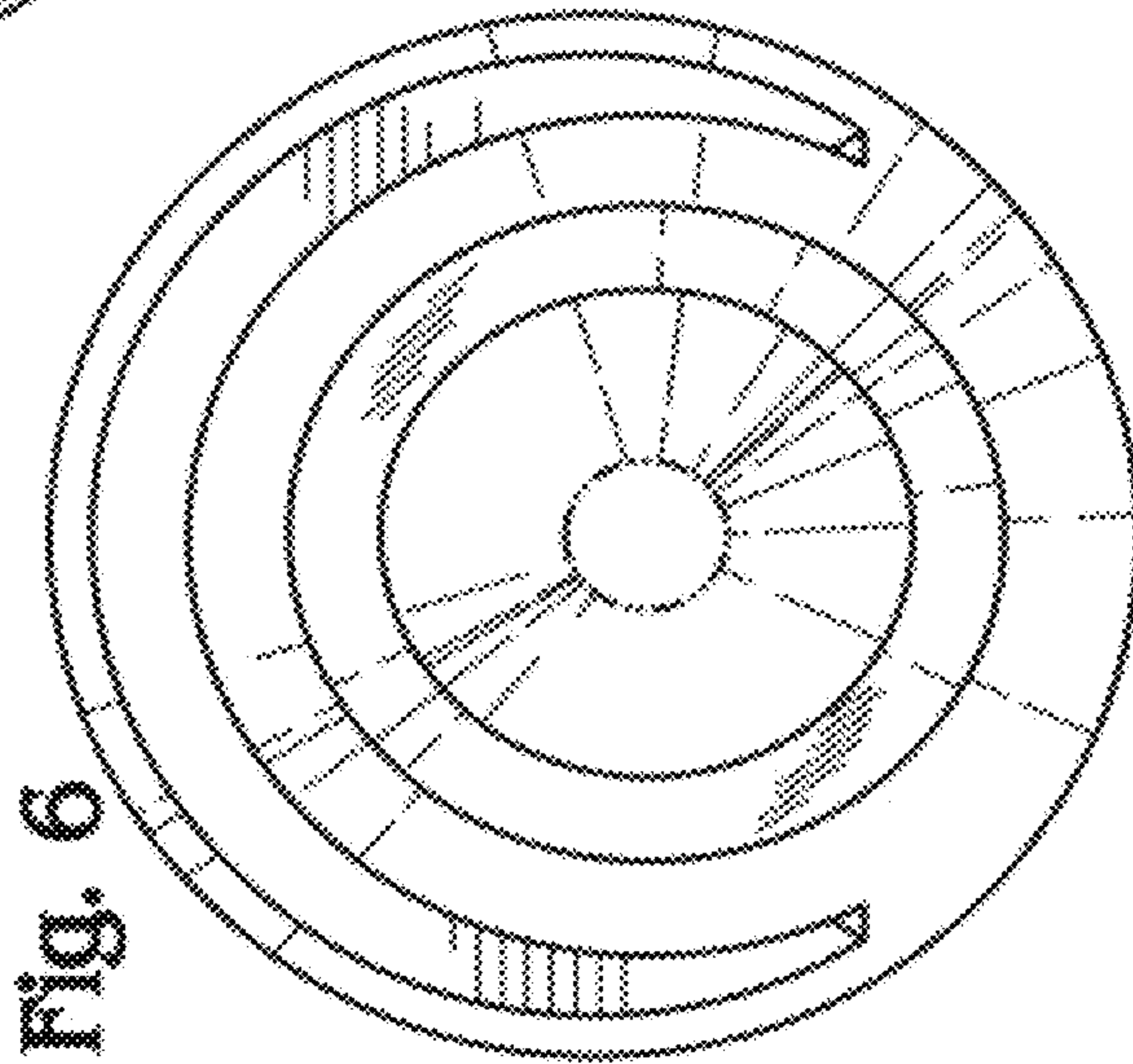


Fig. 6

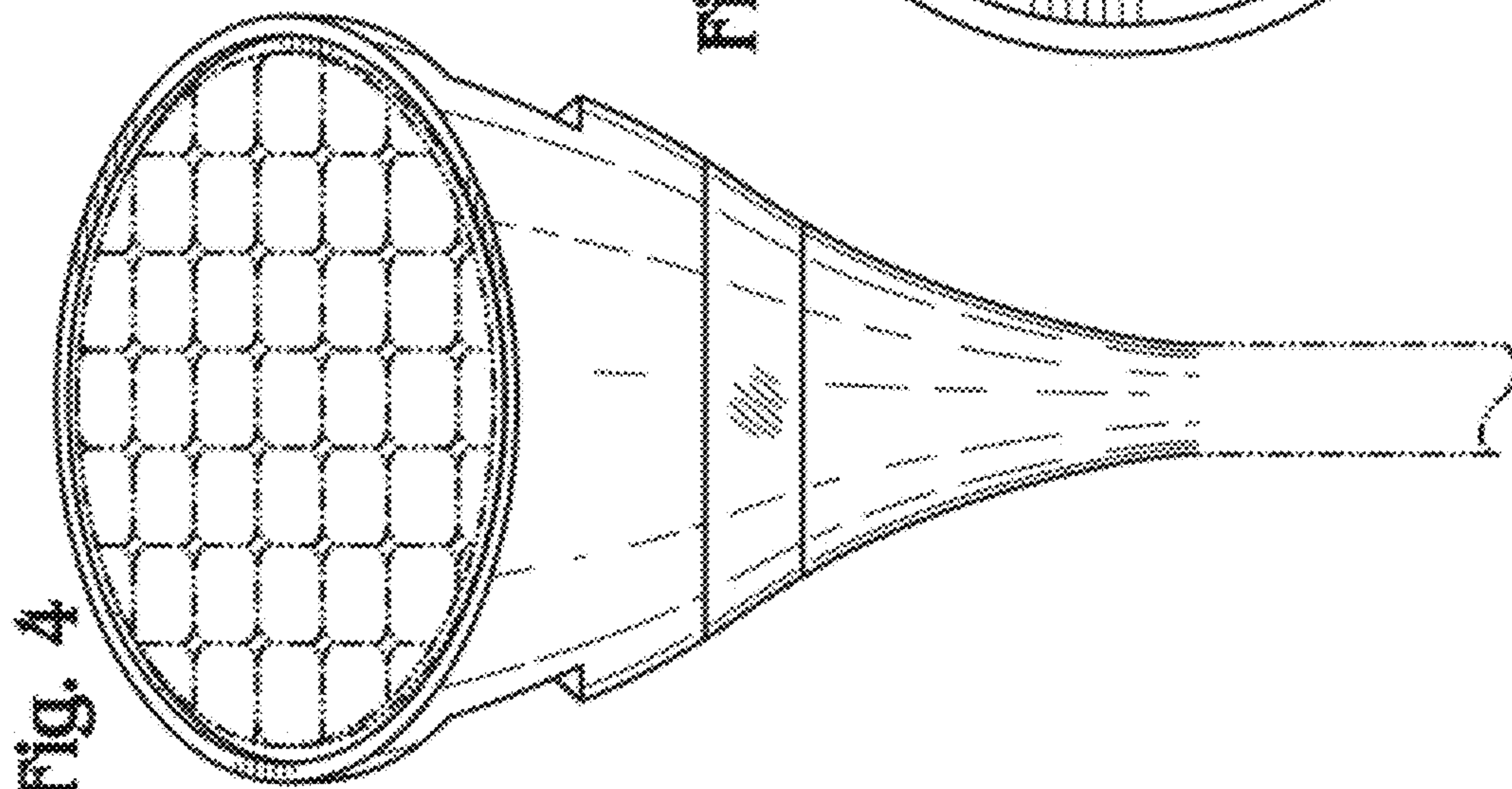


Fig. 4