



US00D659872S

(12) **United States Design Patent**
Valcárcel

(10) **Patent No.:** **US D659,872 S**

(45) **Date of Patent:** **** May 15, 2012**

(54) **LAMP**

(75) Inventor: **Gonzalo Milà Valcárcel**, Barcelona (ES)

(73) Assignee: **Santa & Cole Neoseries S.L.**, Barcelona (ES)

(**) Term: **14 Years**

(21) Appl. No.: **29/371,377**

(22) Filed: **Jan. 24, 2011**

(30) **Foreign Application Priority Data**

Jul. 24, 2010 (EM) 001735762-0008

(51) **LOC (9) Cl.** **26-05**

(52) **U.S. Cl.** **D26/71**

(58) **Field of Classification Search** D26/67-71,
D26/92; 362/102, 120, 183, 431
See application file for complete search history.

(56) **References Cited**

U.S. PATENT DOCUMENTS

D171,952 S *	4/1954	Pettengill	D26/71
D177,916 S *	6/1956	Keck	D26/145
D186,130 S *	9/1959	Izzi	D26/71
D201,826 S *	8/1965	Deskey	D26/68
D204,618 S *	5/1966	Rutter	D26/71
D236,909 S *	9/1975	Richilano	D26/68
D251,930 S *	5/1979	Didone	D26/68
D266,958 S	11/1982	Gernhardt		
D329,098 S	9/1992	Lu		

5,448,459 A *	9/1995	Rogers	362/421
D527,134 S *	8/2006	Bagen	D26/71
D615,229 S *	5/2010	van Klinken	D26/63
D638,565 S *	5/2011	Bembridge	D26/71

OTHER PUBLICATIONS

U.S. Appl. No. 29/371,378, filed Jan. 24, 2011, Gonzalo Mila Valcarcel, Santa & Cole Neoseries S.L.
Notice of Allowance mailed Jan. 18, 2012 in co-pending U.S. Appl. No. 29/371,378.

* cited by examiner

Primary Examiner — Clare E Heflin

(74) *Attorney, Agent, or Firm* — Staas & Halsey LLP

(57) **CLAIM**

The ornamental design for a lamp, as shown and described.

DESCRIPTION

FIG. 1 is a front perspective view of the lamp showing my design;

FIG. 2 is a left side view thereof, the right side being identical;

FIG. 3 is a front view thereof;

FIG. 4 is a top view thereof;

FIG. 5 is a bottom perspective view;

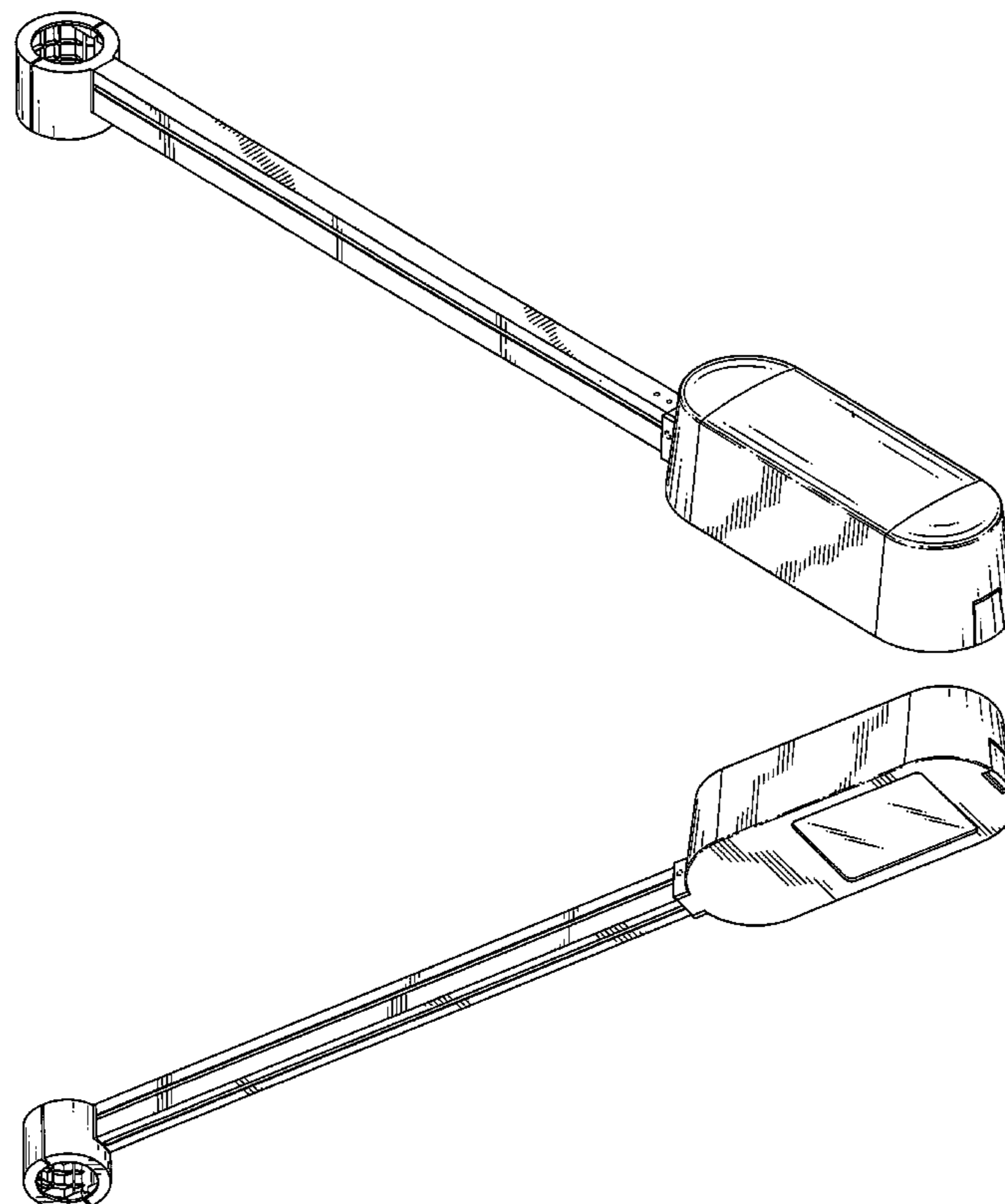
FIG. 6 is a bottom view;

FIG. 7 is a rear view; and,

FIG. 8 is an enlarged view of a portion of the front perspective view of FIG. 1.

The broken lines are for the purpose of illustrating portions of the lamp and form no part of the claimed design.

1 Claim, 8 Drawing Sheets



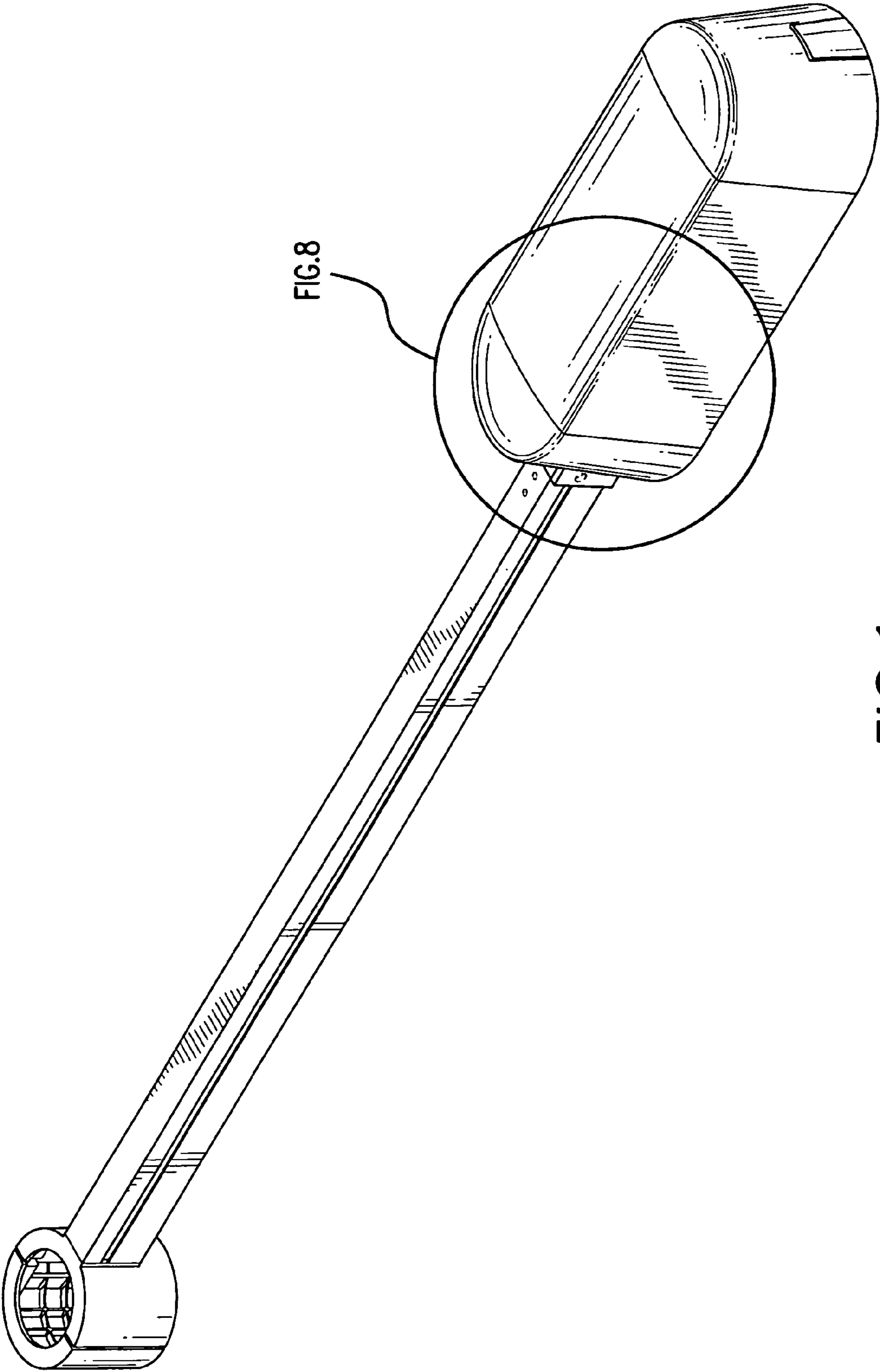


FIG.1

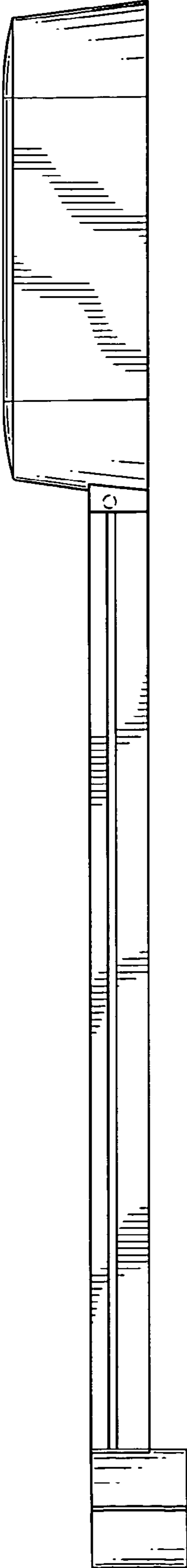


FIG. 2

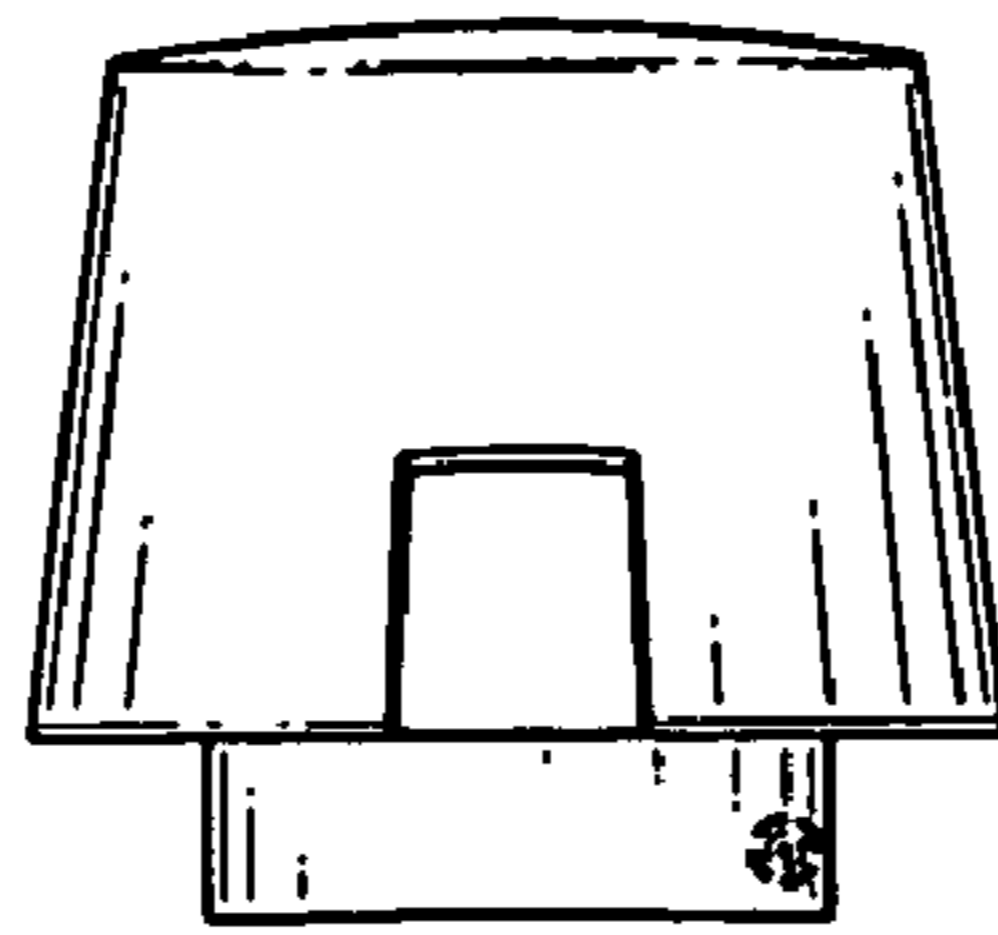


FIG. 3

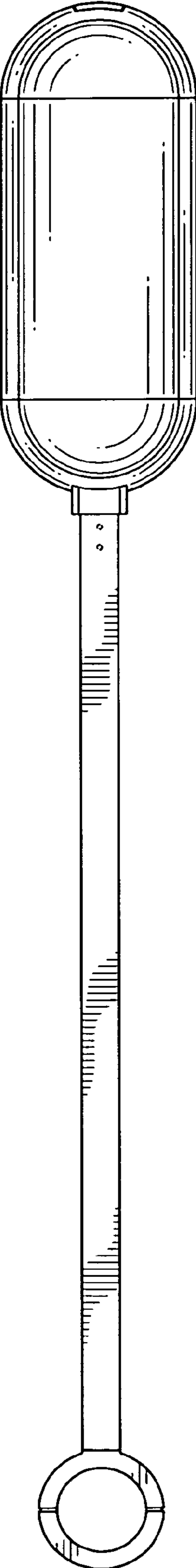


FIG. 4

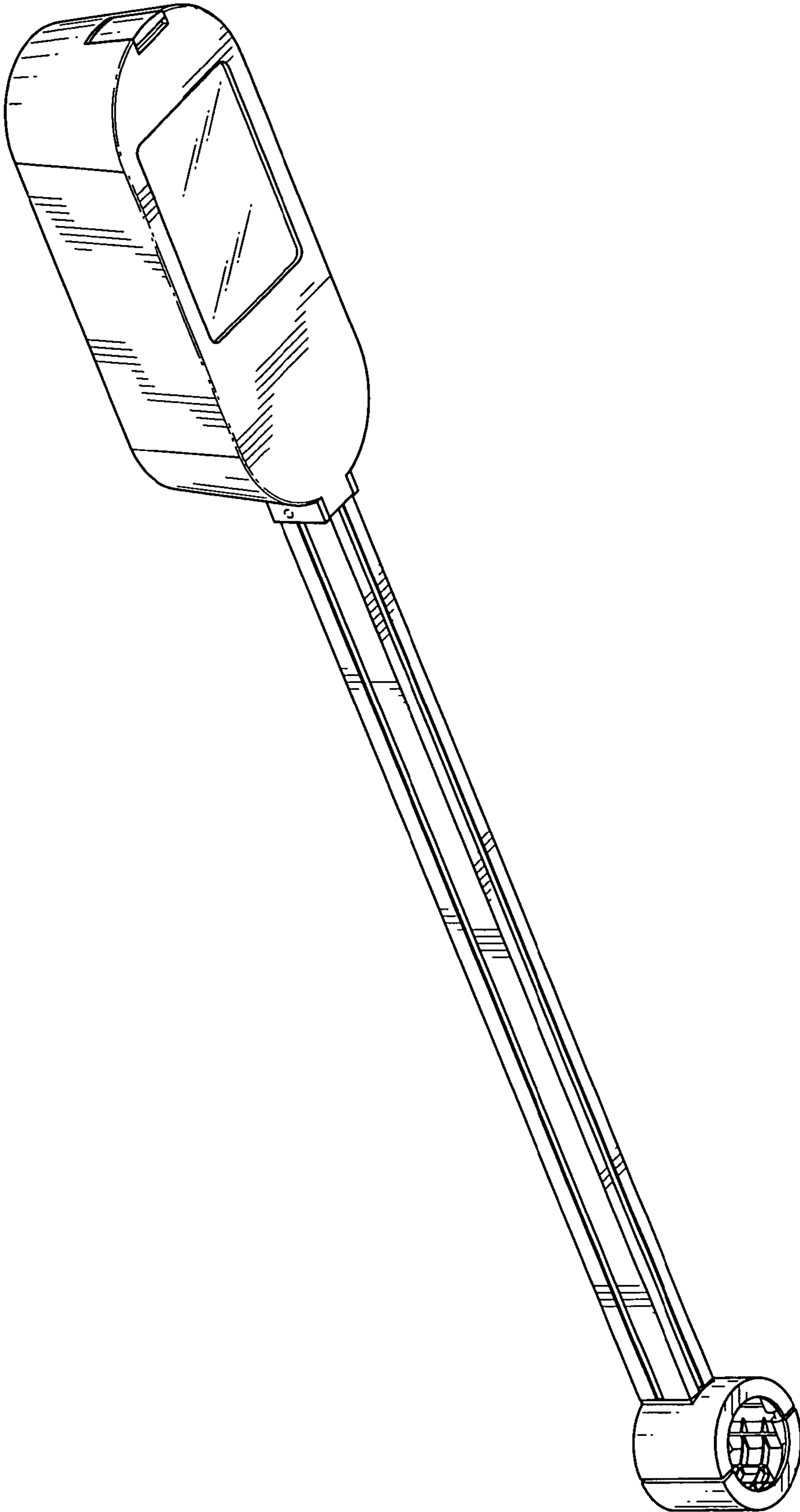


FIG. 5

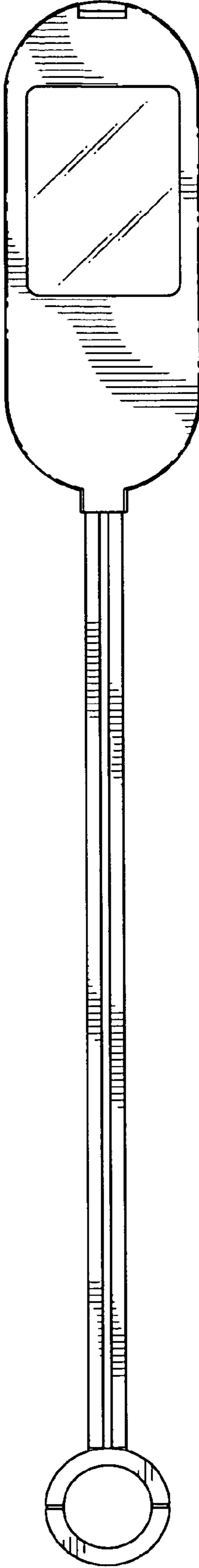


FIG. 6

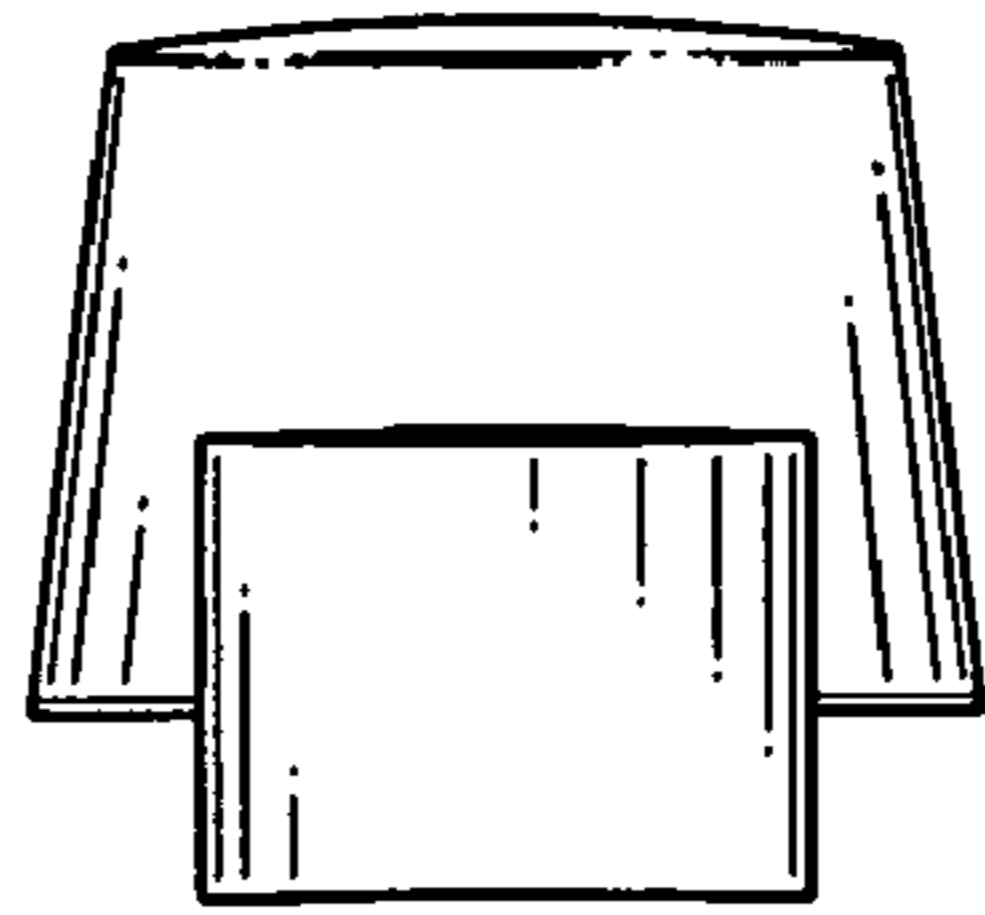


FIG. 7

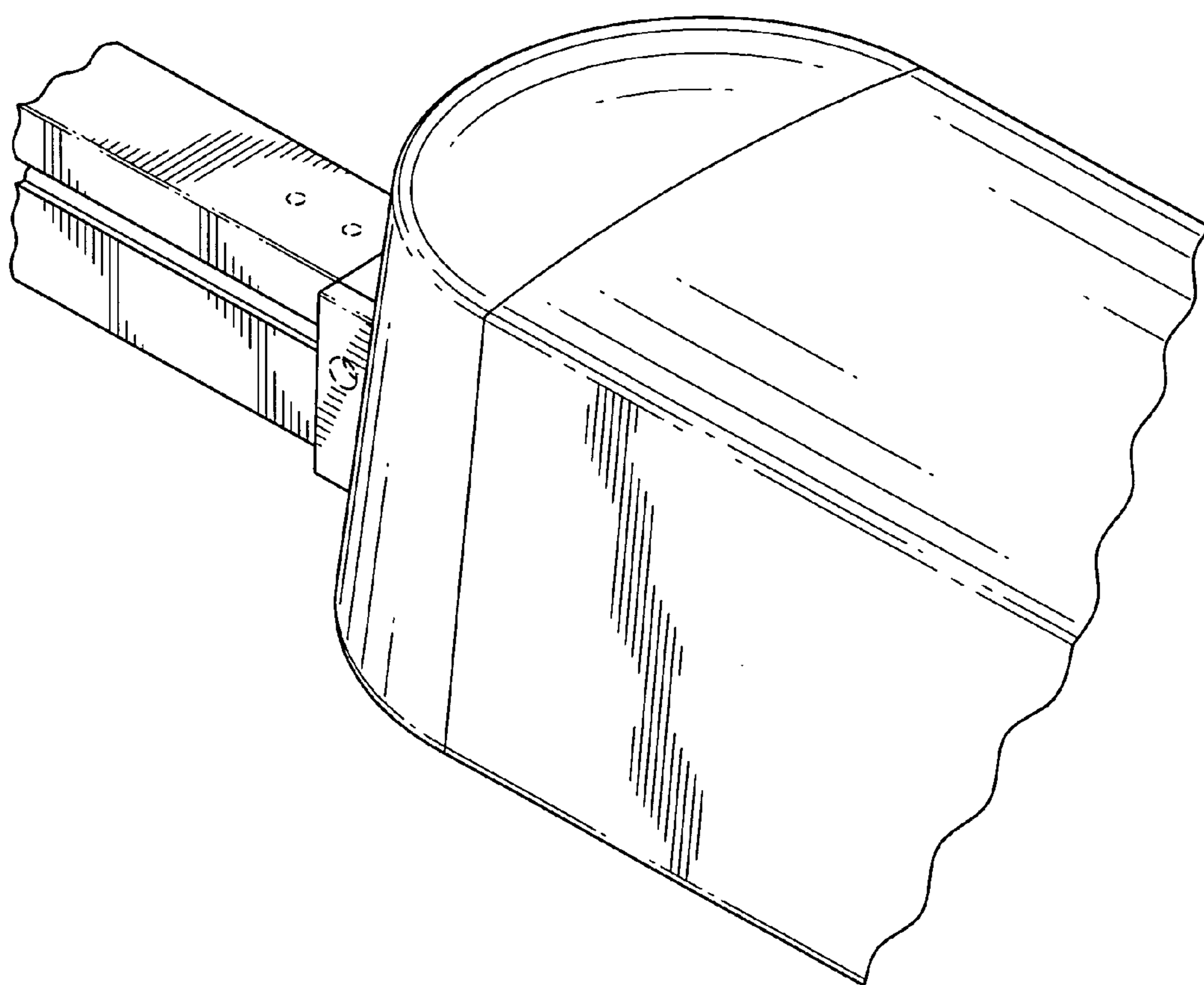


FIG. 8