



US00D659870S

(12) **United States Design Patent**
Cooper

(10) **Patent No.:** **US D659,870 S**

(45) **Date of Patent:** **** May 15, 2012**

(54) **FLASHLIGHT**

(75) **Inventor:** **David James Cooper**, Renton, WA (US)

(73) **Assignee:** **Wilmar Corporation**, Renton, WA (US)

(**) **Term:** **14 Years**

(21) **Appl. No.:** **29/401,670**

(22) **Filed:** **Sep. 14, 2011**

(51) **LOC (9) Cl.** **26-02**

(52) **U.S. Cl.** **D26/49**

(58) **Field of Classification Search** D26/37,
D26/39, 46, 49, 38; 362/157, 158, 202–208,
362/194–196

See application file for complete search history.

(56) **References Cited**

U.S. PATENT DOCUMENTS

D431,085 S *	9/2000	Poon	D26/49
D520,167 S *	5/2006	Garrity	D26/49
D520,661 S *	5/2006	Chien	D26/49
D532,138 S *	11/2006	Wang et al.	D26/49
D536,117 S *	1/2007	Krieger et al.	D26/49
D536,118 S *	1/2007	Krieger et al.	D26/49
D536,465 S *	2/2007	Krieger et al.	D26/49

D568,515 S *	5/2008	Liu	D26/49
D570,511 S *	6/2008	Shiu	D26/49
D576,757 S *	9/2008	Hesse et al.	D26/49
D577,452 S *	9/2008	Shiu	D26/49
D577,845 S *	9/2008	Shiu	D26/49
D586,488 S *	2/2009	Kung	D26/49
D596,772 S *	7/2009	Chang	D26/49
D629,545 S *	12/2010	Deguglimo et al.	D26/49
D647,232 S *	10/2011	Liu	D26/49

* cited by examiner

Primary Examiner — Ian Simmons

Assistant Examiner — Carissa C Fitts

(74) *Attorney, Agent, or Firm* — Condo Roccia LLP

(57) **CLAIM**

The ornamental design for a flashlight, as shown.

DESCRIPTION

FIG. 1 is a first perspective view of an embodiment of a flashlight embodying my new design;

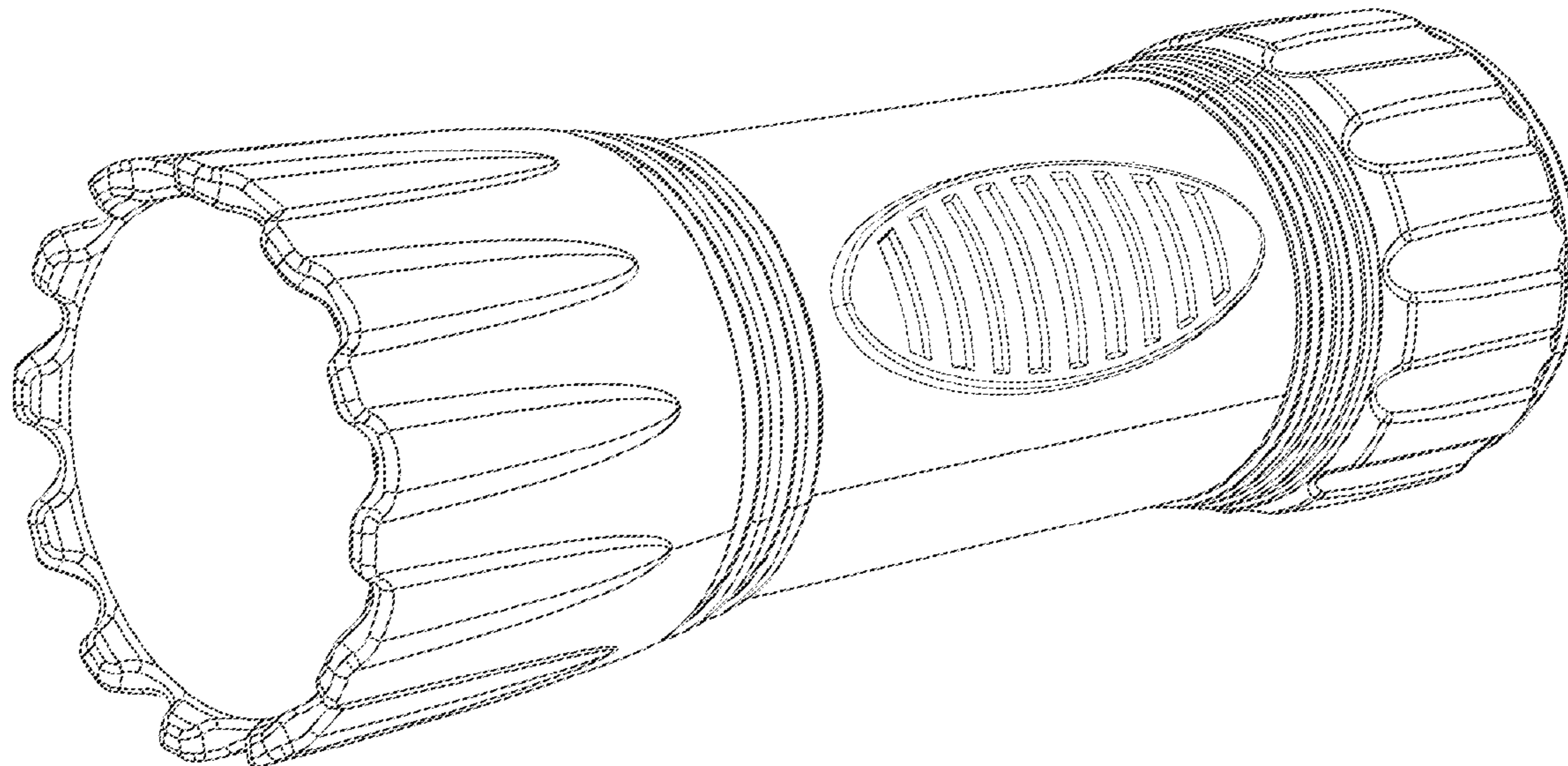
FIG. 2 is a second perspective view of the flashlight of FIG. 1;

FIG. 3 is a side view of the flashlight of FIG. 1;

FIG. 4 is a first end view of the flashlight of FIG. 1, shown on a larger scale; and,

FIG. 5 is a second end view of the flashlight of FIG. 1, shown on a larger scale.

1 Claim, 5 Drawing Sheets



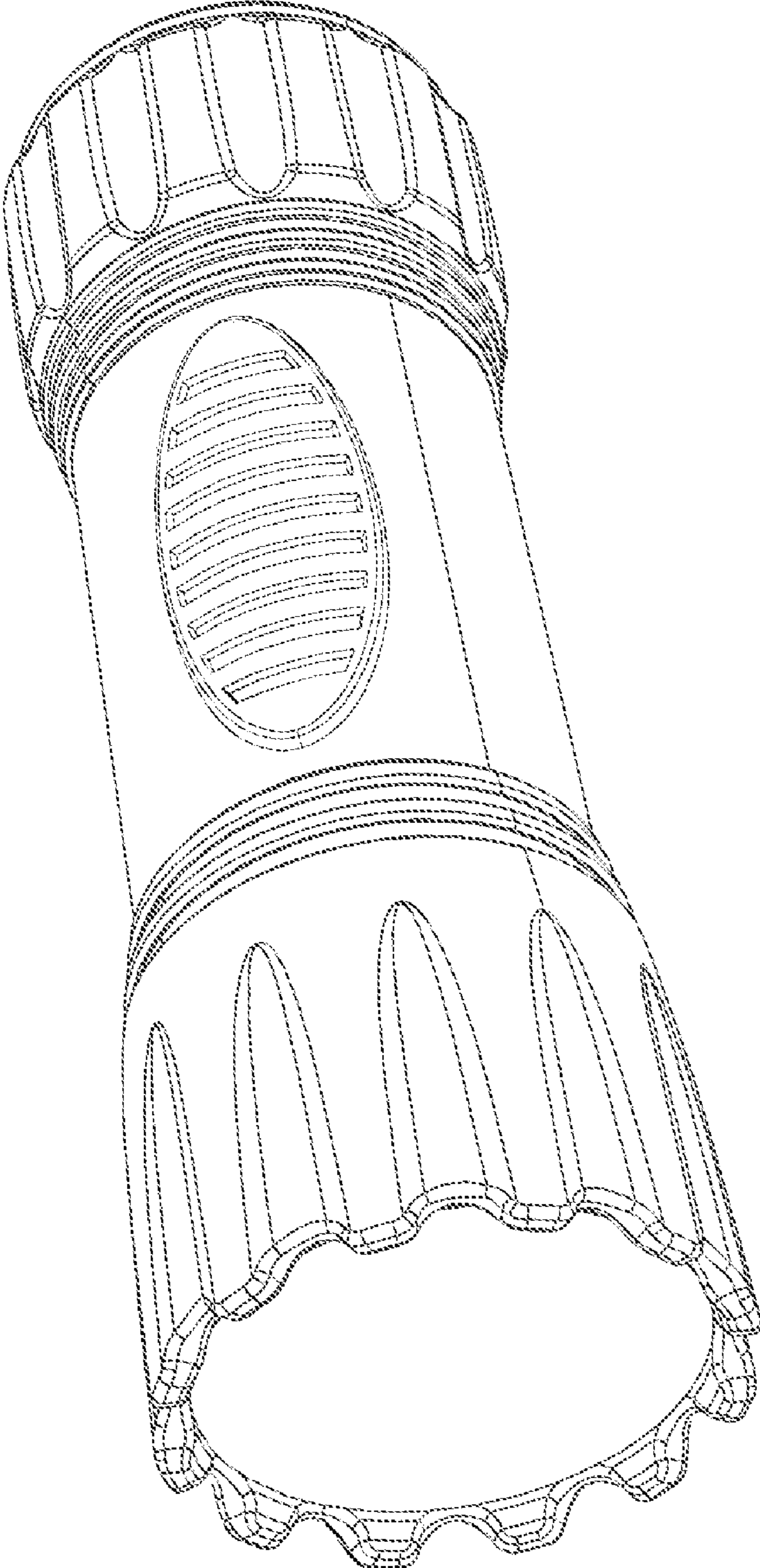


FIG. 1

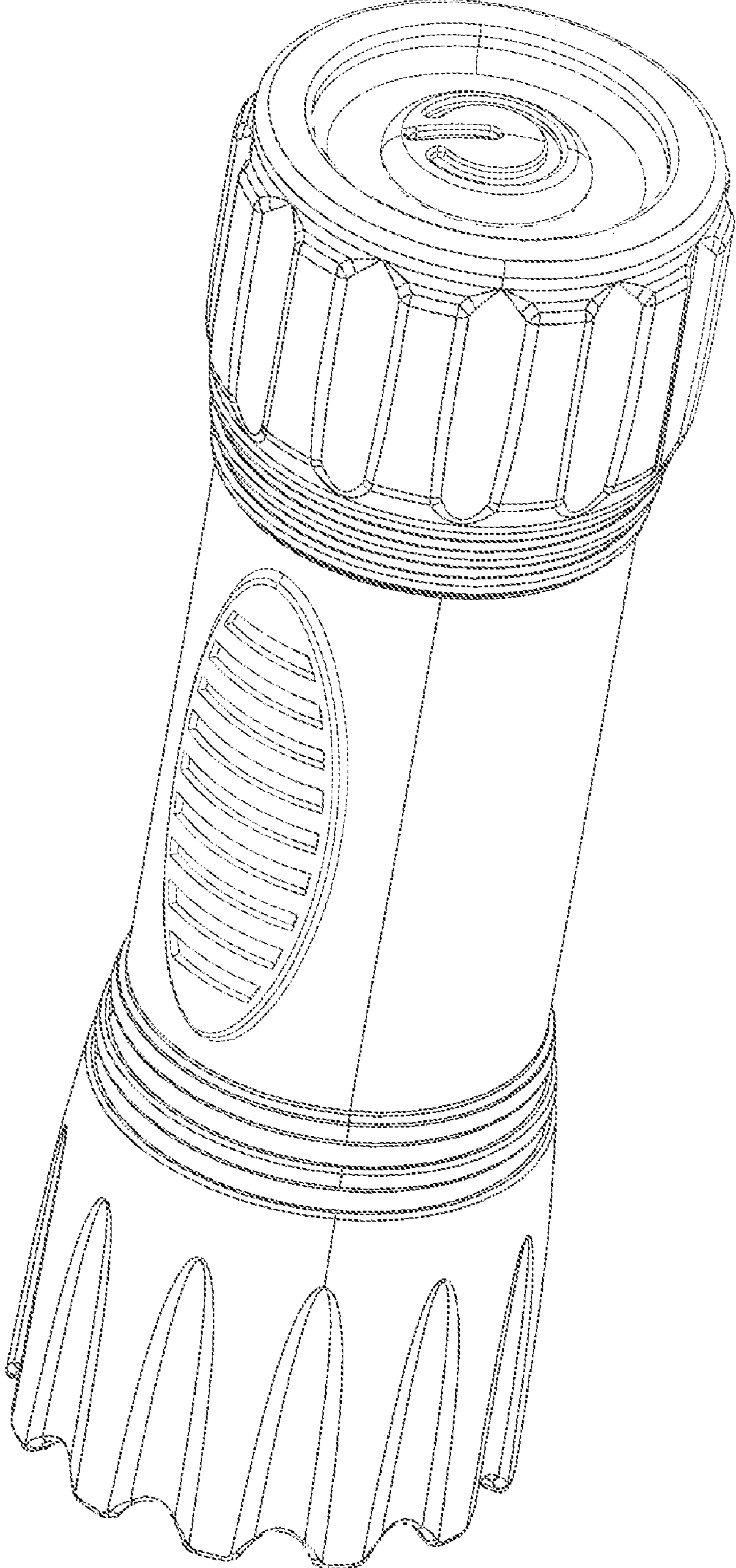


FIG. 2

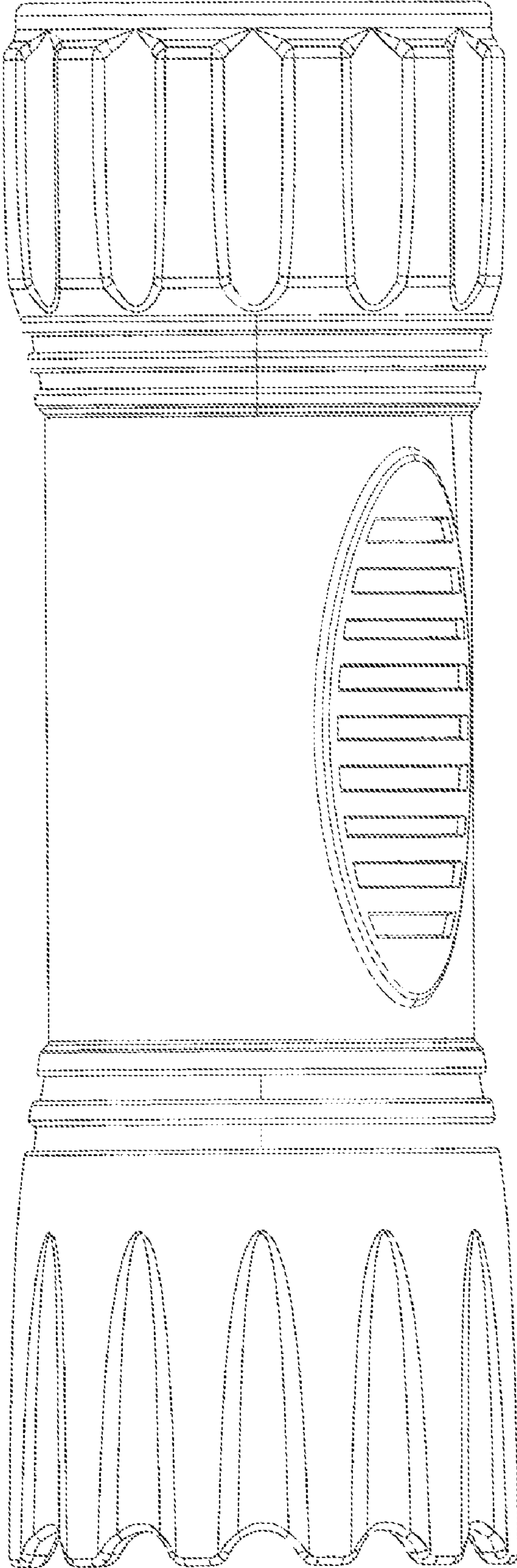


FIG. 3

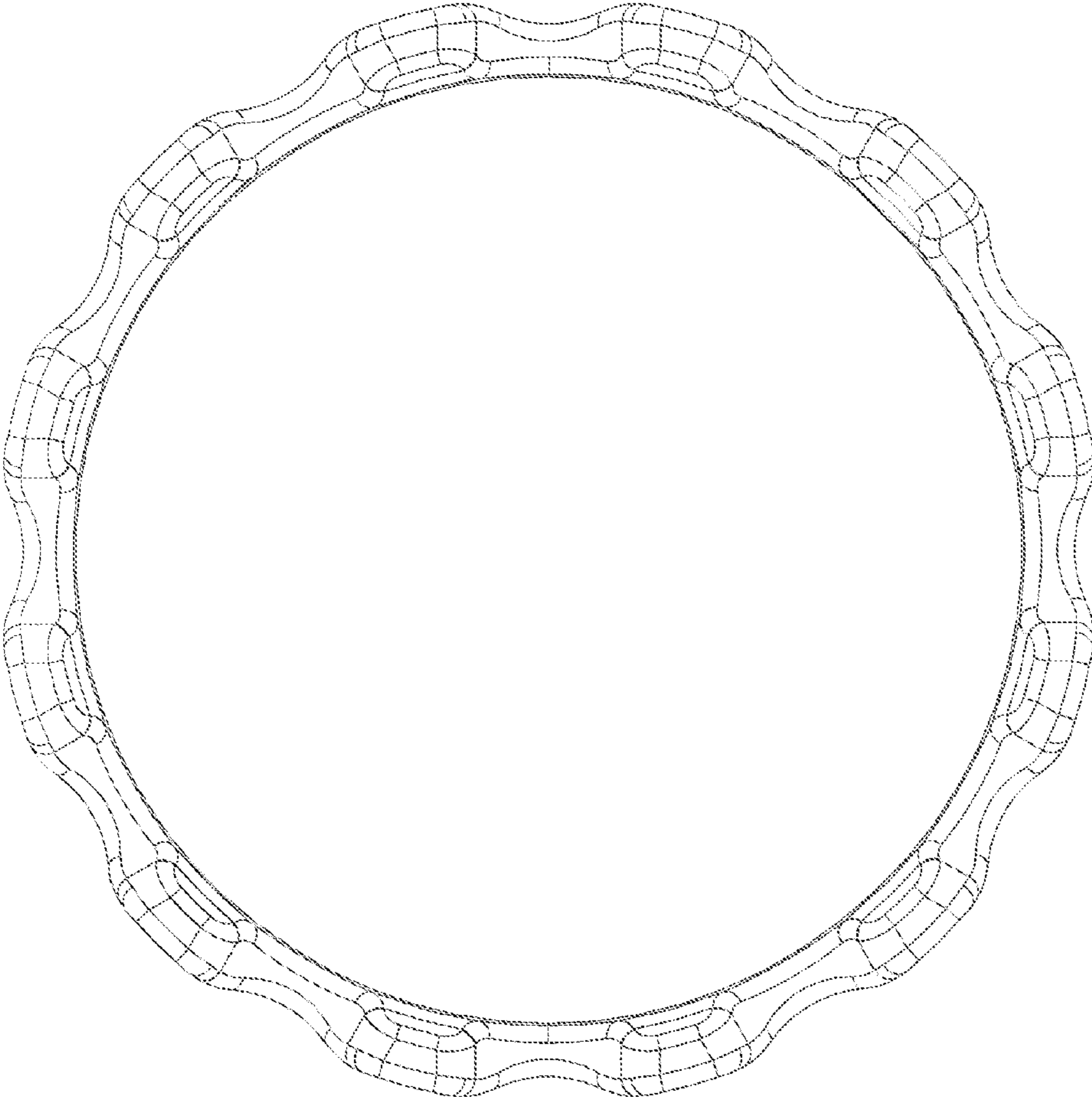


FIG. 4

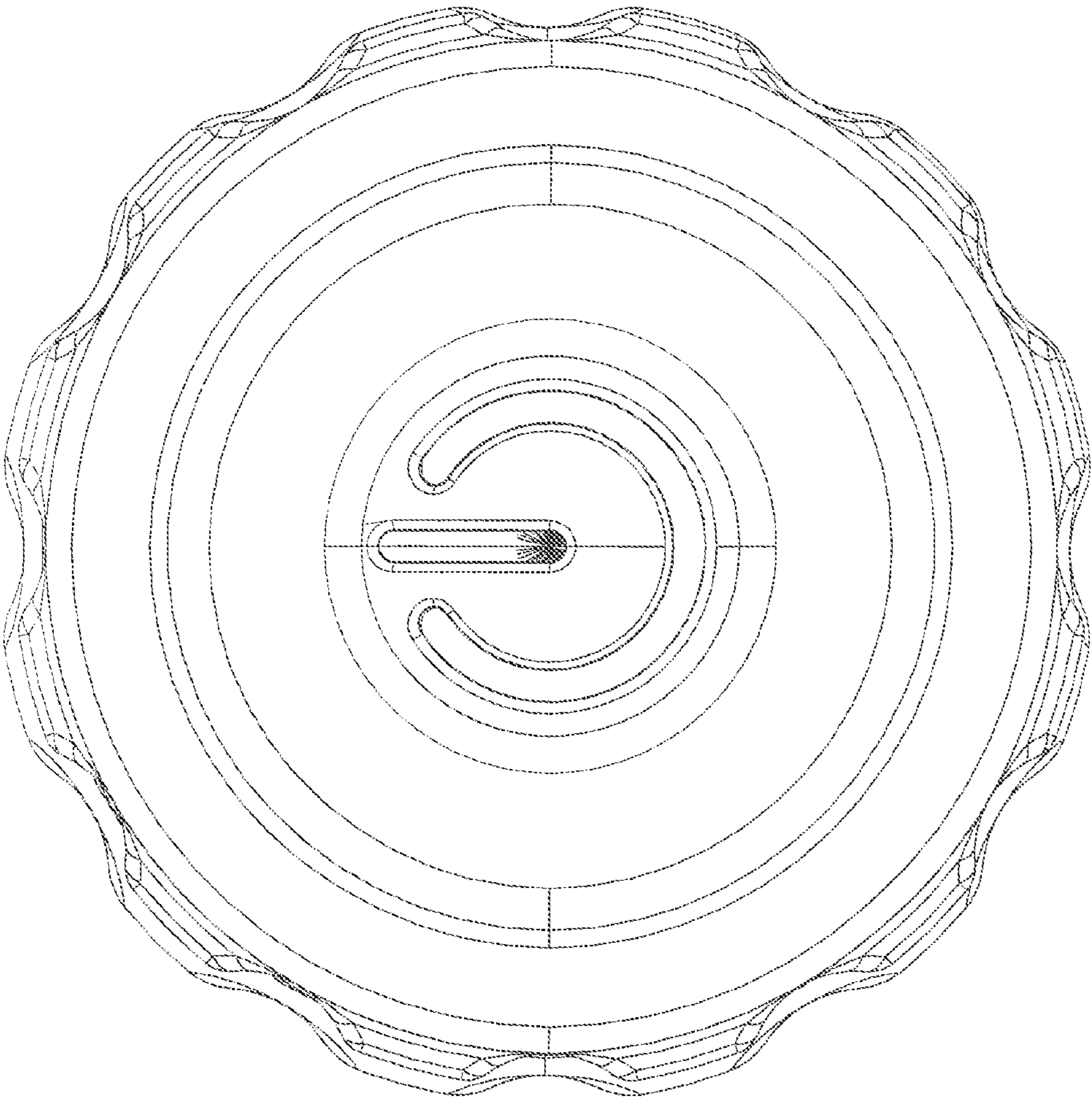


FIG. 5