



US00D659869S

(12) **United States Design Patent**
Prieto

(10) **Patent No.:** **US D659,869 S**

(45) **Date of Patent:** **** May 15, 2012**

(54) **FLASHLIGHT**

(75) Inventor: **Jimmy Prieto**, Fort Worth, TX (US)

(73) Assignee: **Alliance Sports Group, L.P.**, Grand Prairie, TX (US)

(**) Term: **14 Years**

(21) Appl. No.: **29/385,561**

(22) Filed: **Feb. 16, 2011**

(51) **LOC (9) Cl.** **26-02**

(52) **U.S. Cl.** **D26/49**

(58) **Field of Classification Search** D26/37,
D26/38, 39, 46, 49; 362/157, 158, 183, 184,
362/194-208

See application file for complete search history.

(56) **References Cited**

U.S. PATENT DOCUMENTS

D486,936 S *	2/2004	Shiu	D26/49
D513,334 S	12/2005	Galey		
D529,643 S *	10/2006	Kung	D26/37
D532,138 S	11/2006	Wang et al.		
D541,454 S	4/2007	Galey		
D544,621 S	6/2007	Kim		
D585,577 S *	1/2009	Bonis	D26/49
D595,439 S *	6/2009	Haight et al.	D26/49
D596,772 S *	7/2009	Chang	D26/49
D599,928 S *	9/2009	Shiu	D26/49

7,604,371 B2	10/2009	Bushee et al.		
D621,538 S *	8/2010	Bushee	D26/49
D629,541 S *	12/2010	Riley	D26/49
D629,542 S *	12/2010	Robinson	D26/49
D629,546 S *	12/2010	Deguglimo et al.	D26/49
7,866,841 B2	1/2011	Bushee et al.		
7,905,624 B2	3/2011	Bushee et al.		
D639,478 S *	6/2011	Nguyen et al.	D26/49
D644,775 S *	9/2011	Nguyen et al.	D26/49

* cited by examiner

Primary Examiner — Ian Simmons

Assistant Examiner — Carissa C Fitts

(74) *Attorney, Agent, or Firm* — Thorpe North & Western LLP

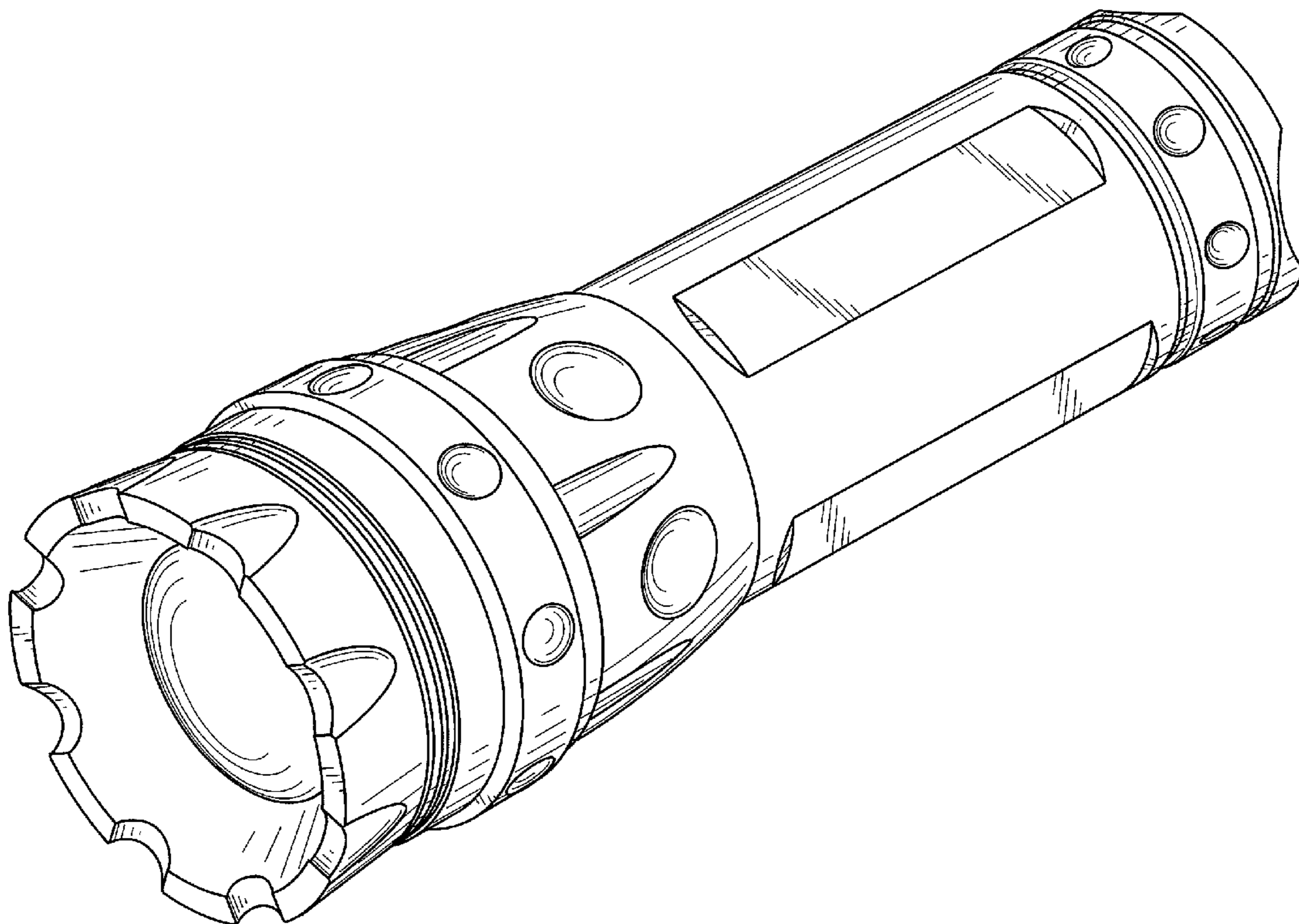
(57) **CLAIM**

The ornamental design for a flashlight, as shown and described.

DESCRIPTION

FIG. 1 is a perspective view of the flashlight; FIG. 2 is a front view of the flashlight; FIG. 3 is a back view of the flashlight; FIG. 4 is a side view of the flashlight; FIG. 5 is an opposing side view of the flashlight; FIG. 6 is an end view of the flashlight; and, FIG. 7 is an opposing end view of the flashlight. The broken line showing is for environmental purposes only and forms no part of the claimed design.

1 Claim, 4 Drawing Sheets



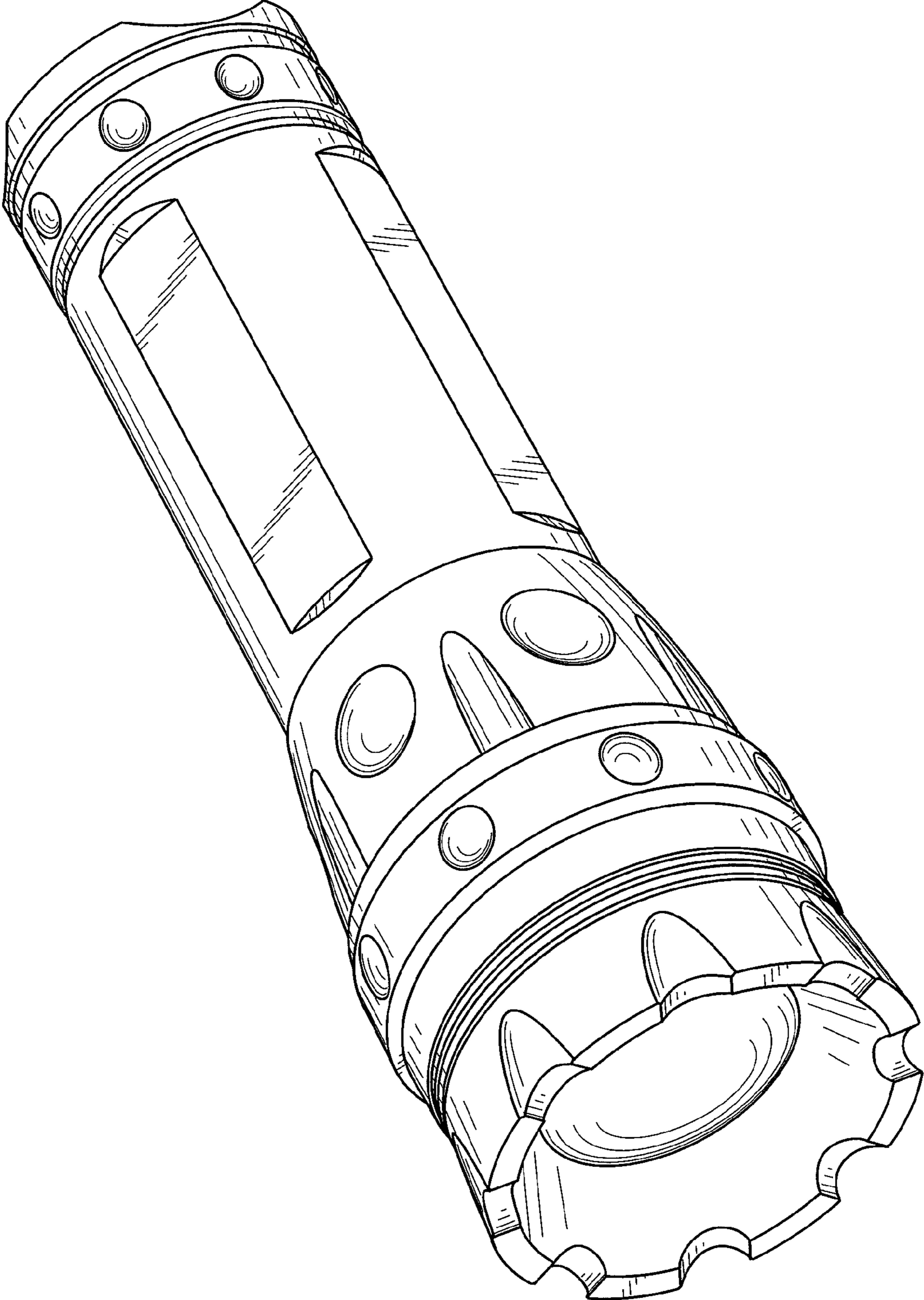


FIG. 1

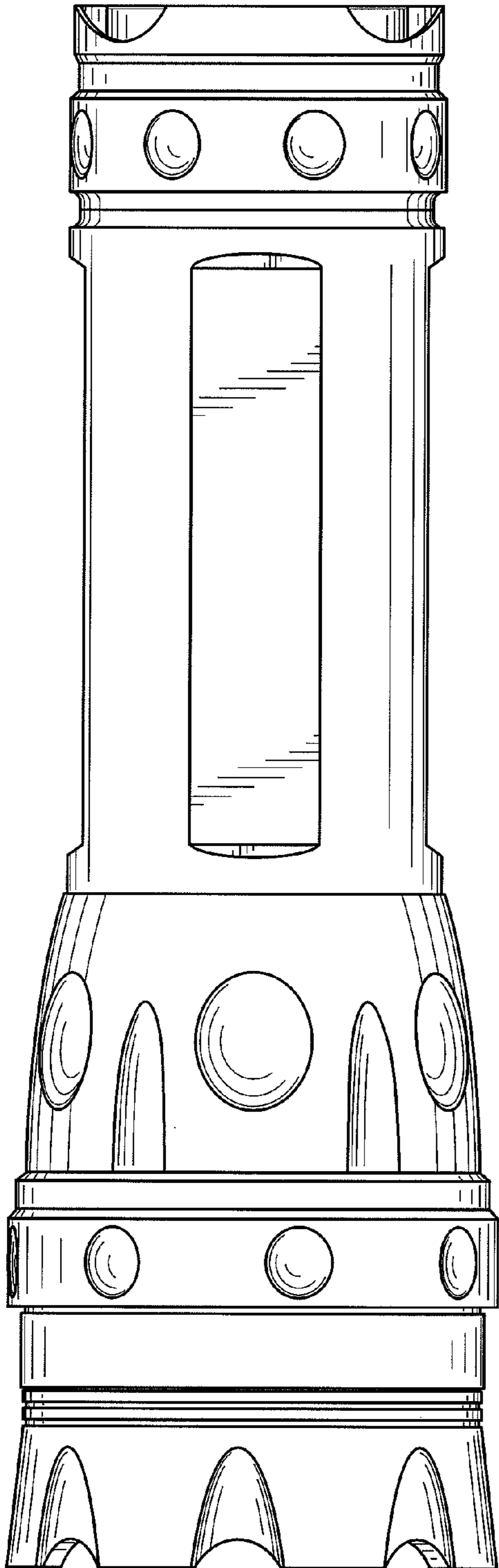


FIG. 2

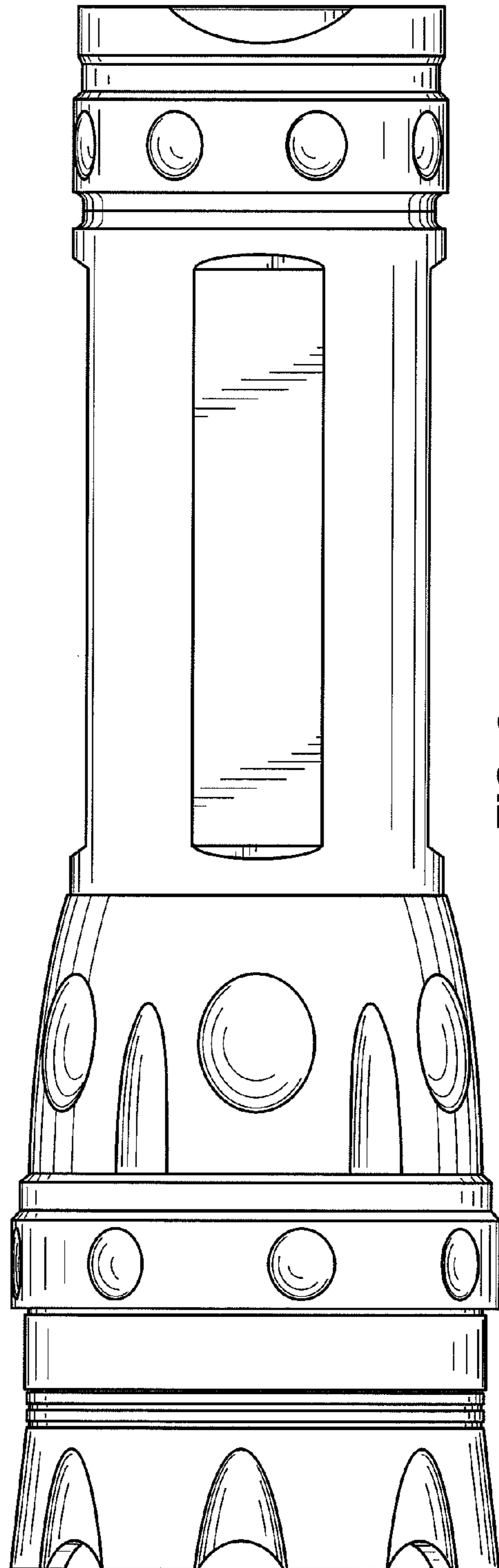


FIG. 3

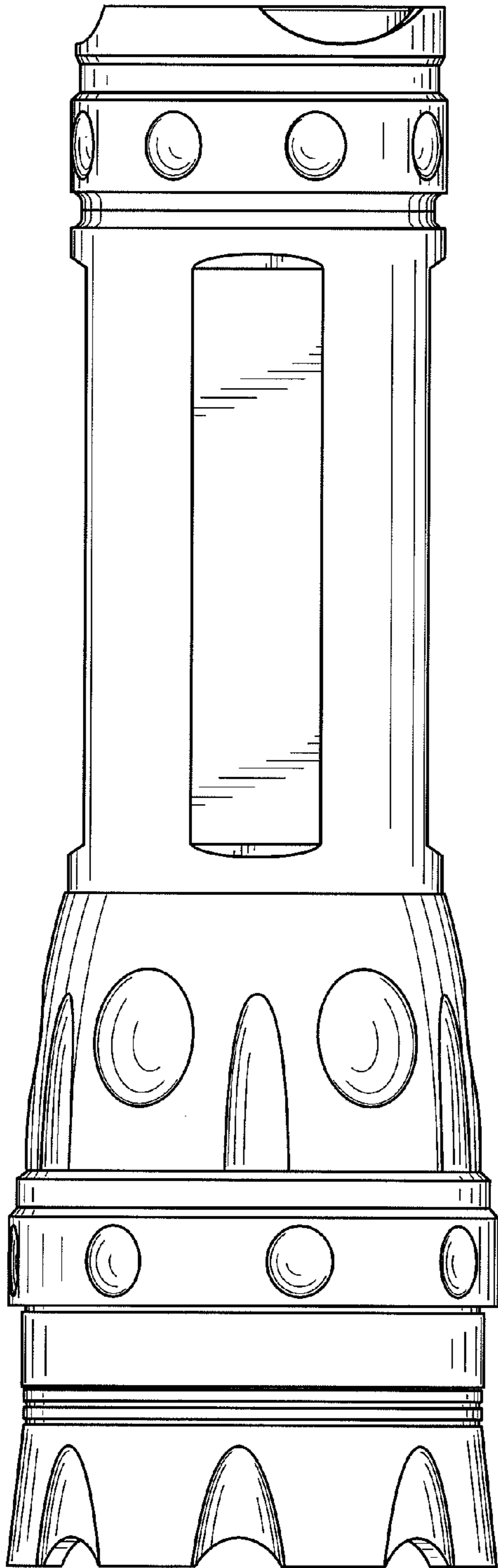


FIG. 4

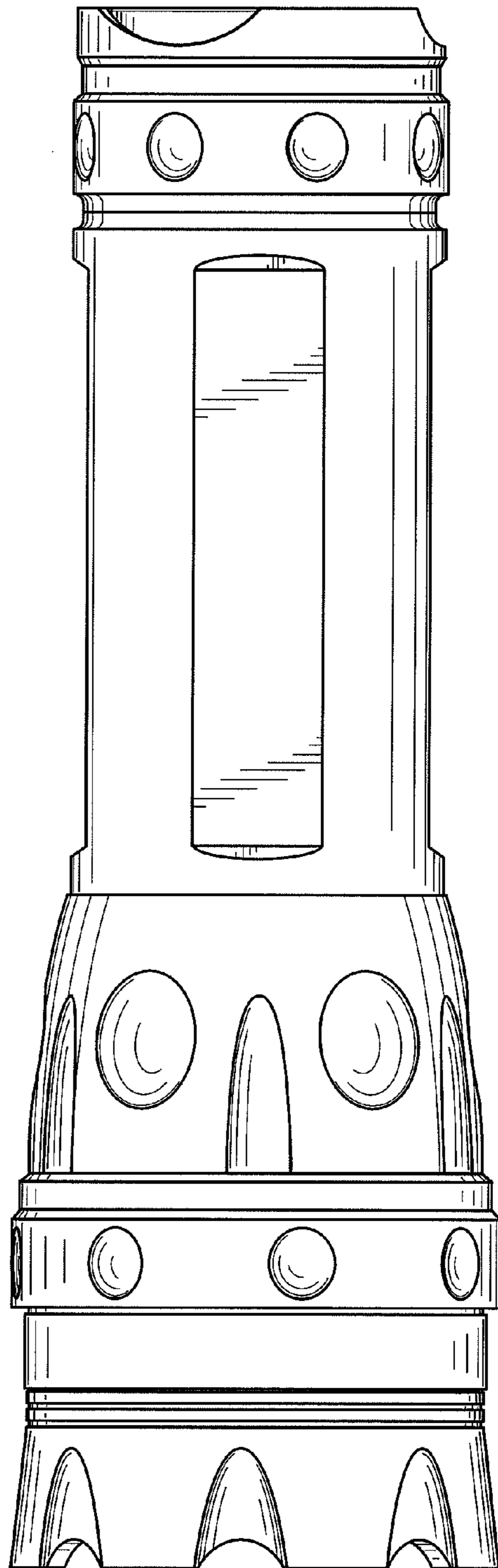


FIG. 5

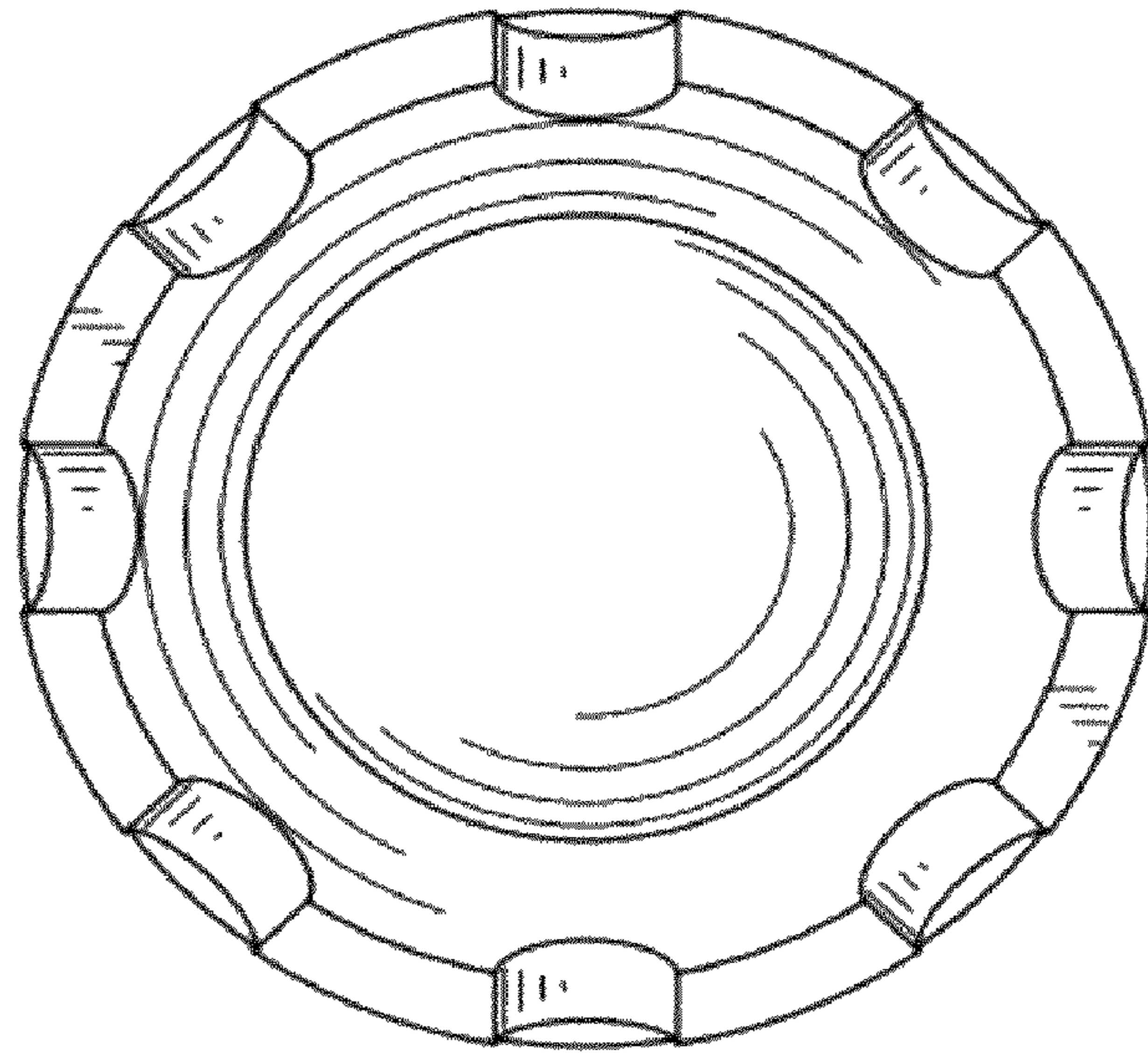


FIG. 6

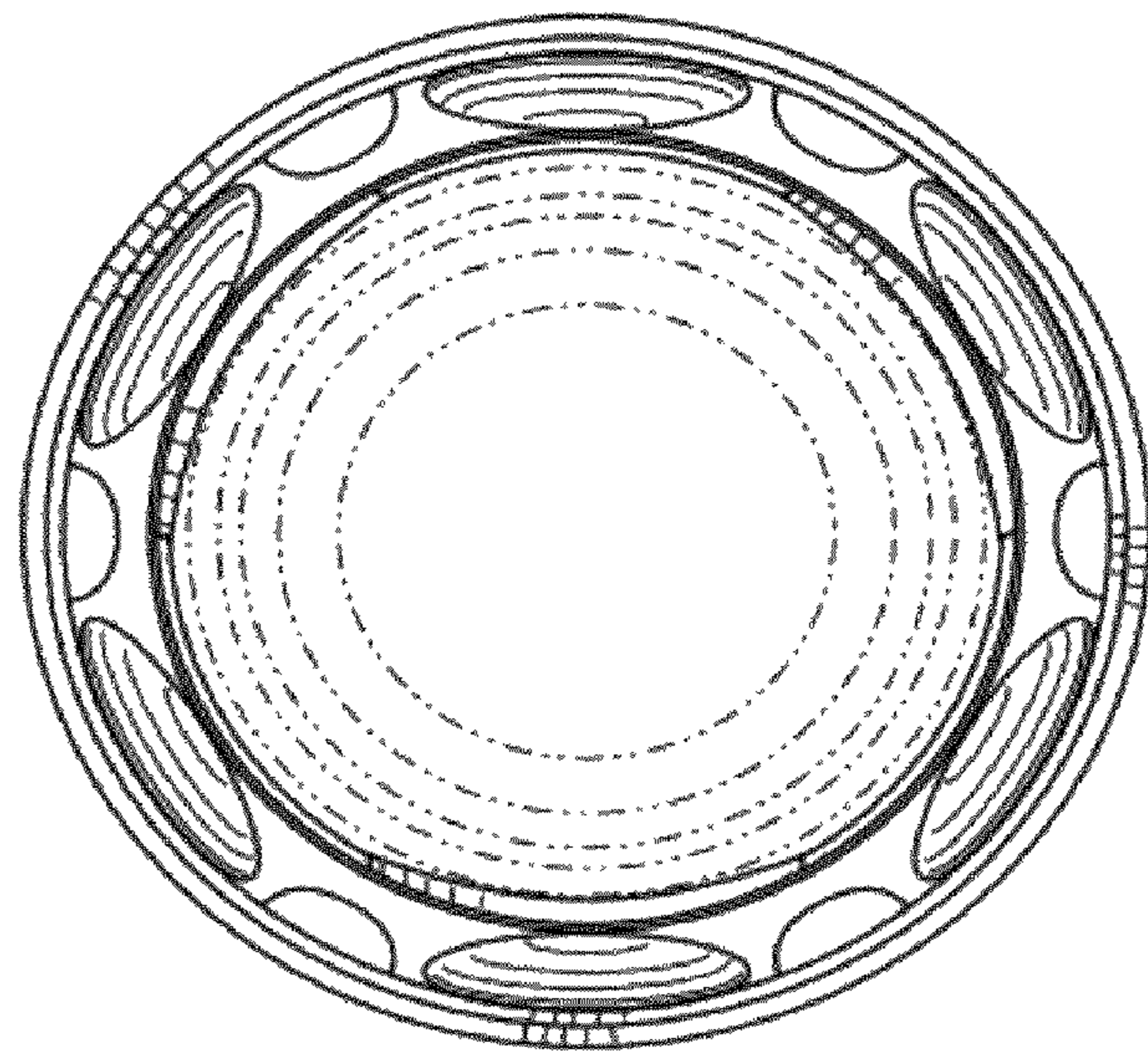


FIG. 7