



US00D659868S

(12) **United States Design Patent**
Deguglimo et al.

(10) **Patent No.:** **US D659,868 S**

(45) **Date of Patent:** **** May 15, 2012**

(54) **FLASHLIGHT WITH OCTAGONAL HEAD**

(75) Inventors: **Joe Deguglimo**, Boca Raton, FL (US);
Glenn Robinson, Coral Springs, FL (US)

(73) Assignee: **IBT Holdings, LLC**, Deerfield Beach, FL (US)

(**) Term: **14 Years**

(21) Appl. No.: **29/368,624**

(22) Filed: **Aug. 26, 2010**

Related U.S. Application Data

(63) Continuation-in-part of application No. 29/350,893, filed on Nov. 25, 2009, now Pat. No. Des. 624,677.

(51) **LOC (9) Cl.** **26-02**

(52) **U.S. Cl.** **D26/49**

(58) **Field of Classification Search** D26/37,
D26/38, 39, 42, 46, 49, 50; 362/157, 158,
362/183, 184, 187-196, 200-208

See application file for complete search history.

(56) **References Cited**

U.S. PATENT DOCUMENTS

D451,224 S *	11/2001	Yang	D26/49
D527,481 S *	8/2006	Opolka	D26/49
D553,776 S *	10/2007	Liu	D26/49
D564,116 S *	3/2008	Linardos	D26/49
D572,395 S *	7/2008	Guelzow et al.	D26/49
D595,440 S *	6/2009	Rivera et al.	D26/49
D596,772 S *	7/2009	Chang	D26/49
D618,838 S *	6/2010	Smith	D26/49

D629,544 S *	12/2010	Deguglimo et al.	D26/49
D629,545 S *	12/2010	Deguglimo et al.	D26/49
D629,546 S *	12/2010	Deguglimo et al.	D26/49
D629,941 S *	12/2010	Robinson et al.	D26/49
D639,476 S *	6/2011	Robinson	D26/49
2006/0056173 A1 *	3/2006	Maglica	362/157

OTHER PUBLICATIONS

“Maglite anti roll lens holder”; <http://www.thefind.com/electronics/browse-maglite-anti-roll-lens-holder>; last visited on Aug. 25, 2010.

* cited by examiner

Primary Examiner — Ian Simmons

Assistant Examiner — Carissa C Fitts

(74) *Attorney, Agent, or Firm* — Steven Greenberg, Esq.;
Carey Rodriguez Greenberg & O’Keefe, LLP

(57) **CLAIM**

The ornamental design for a flashlight with octagonal head, as shown and described.

DESCRIPTION

FIG. 1 is a front, right, top perspective of the flashlight with octagonal head.

FIG. 2 is a front view of the flashlight thereof.

FIG. 3 is a rear view of the flashlight thereof.

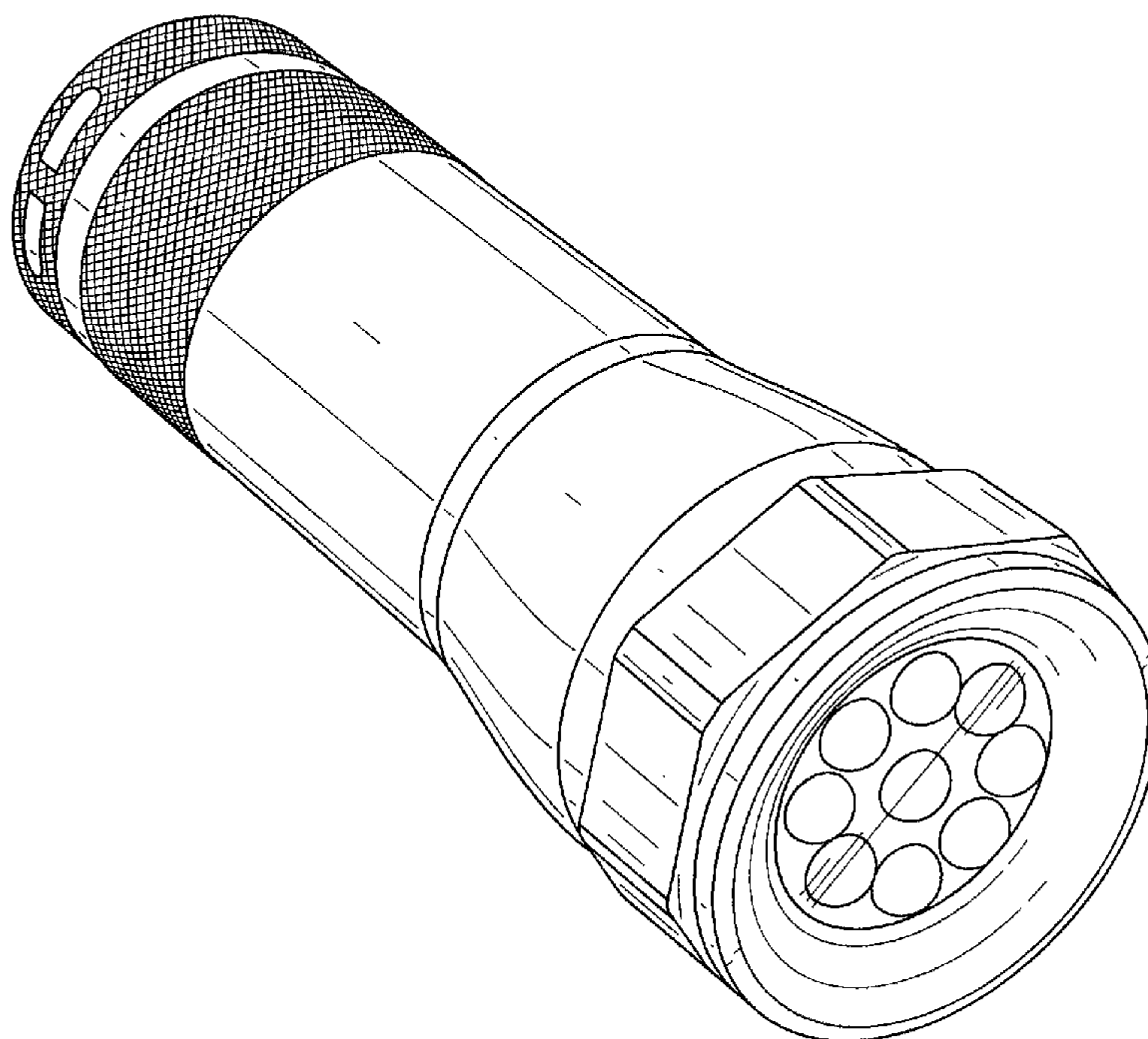
FIG. 4 is a left-side view of the flashlight thereof.

FIG. 5 is a right-side view of the flashlight thereof.

FIG. 6 is a top view of the flashlight thereof; and,

FIG. 7 is a bottom view of the flashlight thereof.

1 Claim, 6 Drawing Sheets



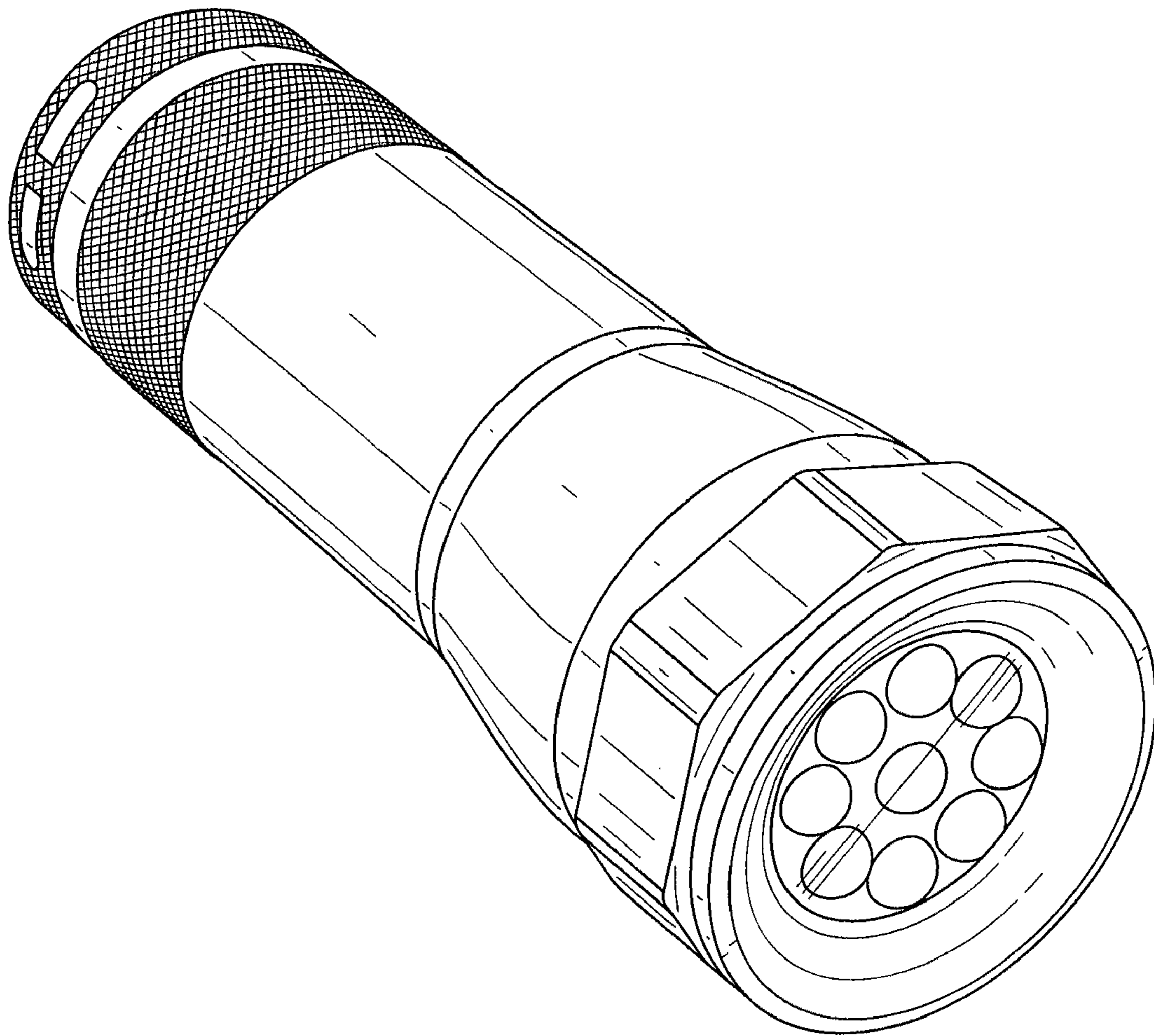


FIG. 1

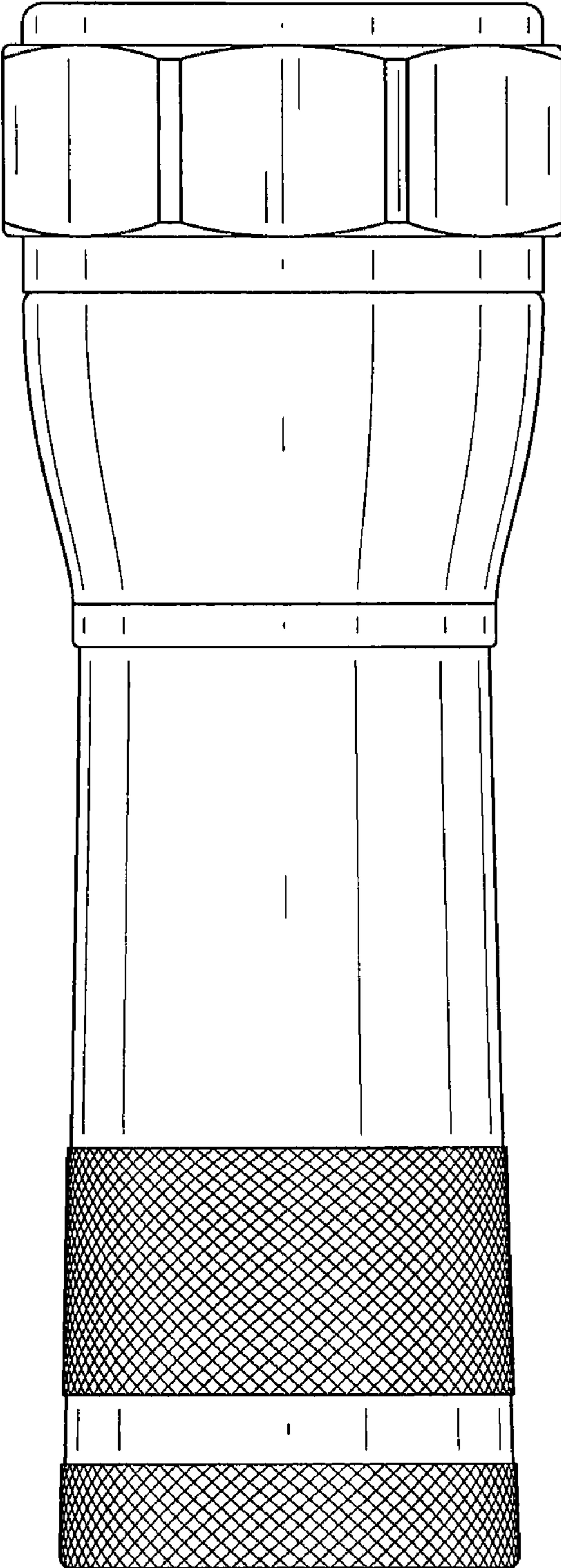


FIG. 2

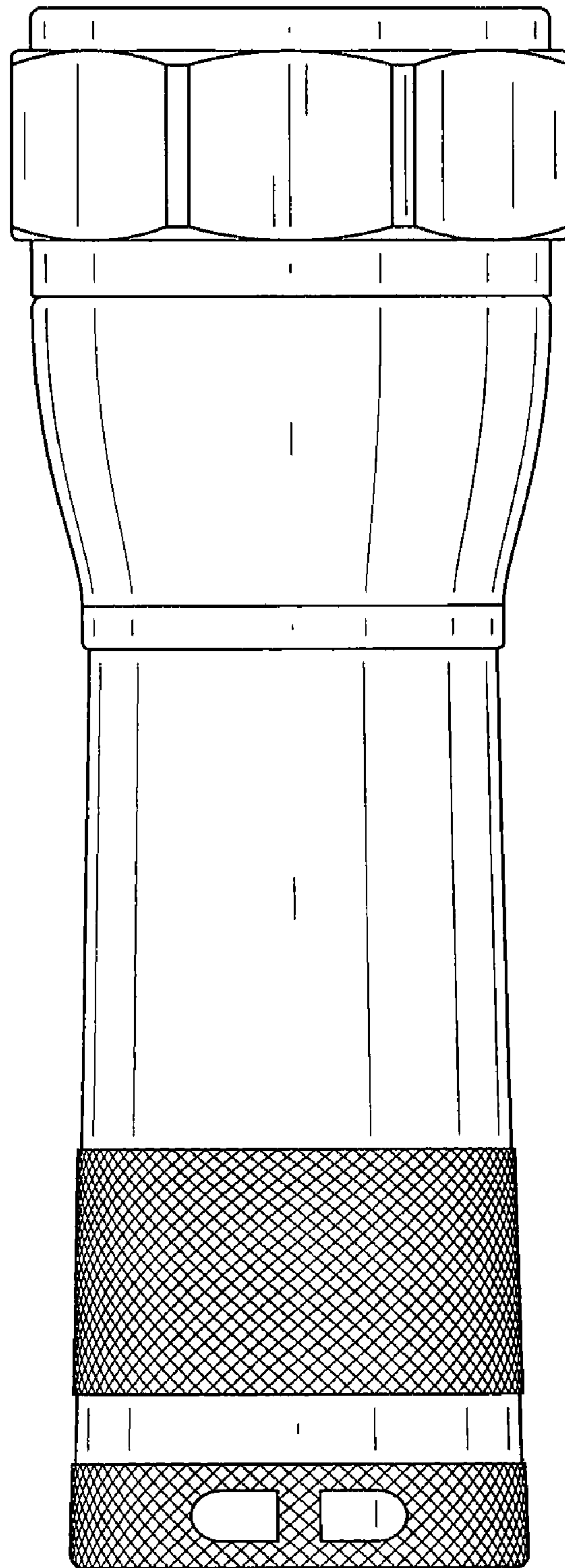


FIG. 3

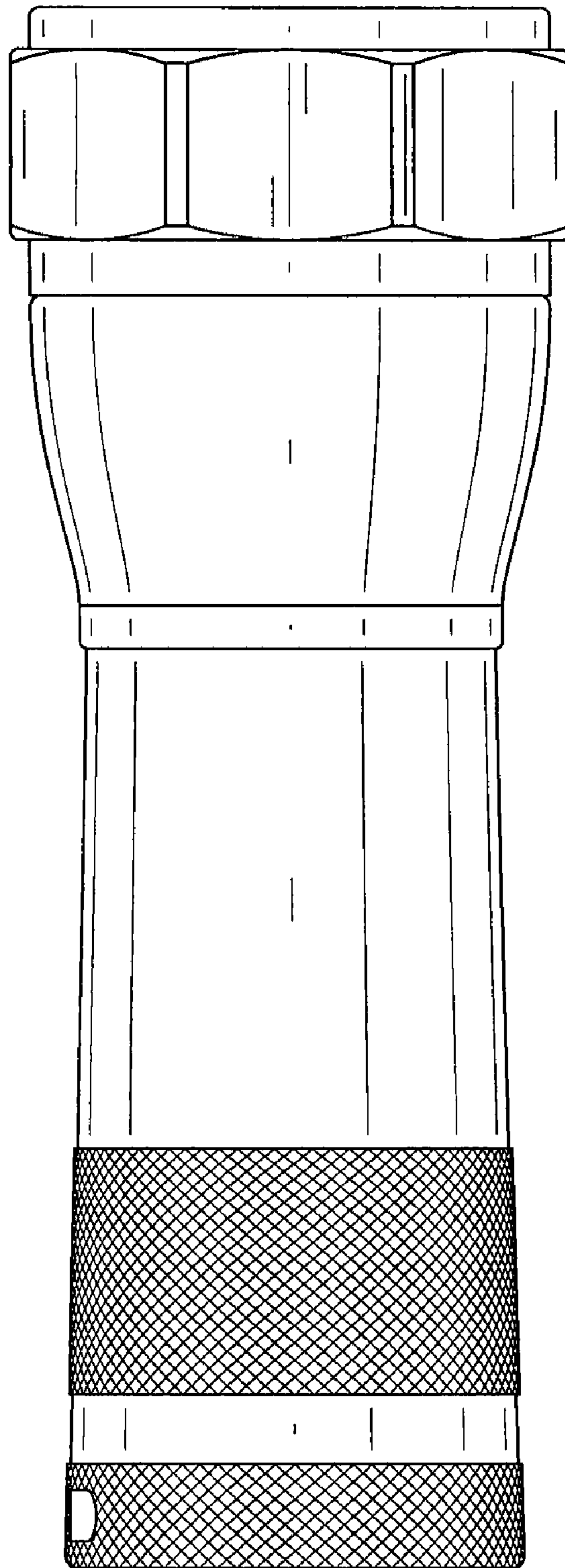


FIG. 4

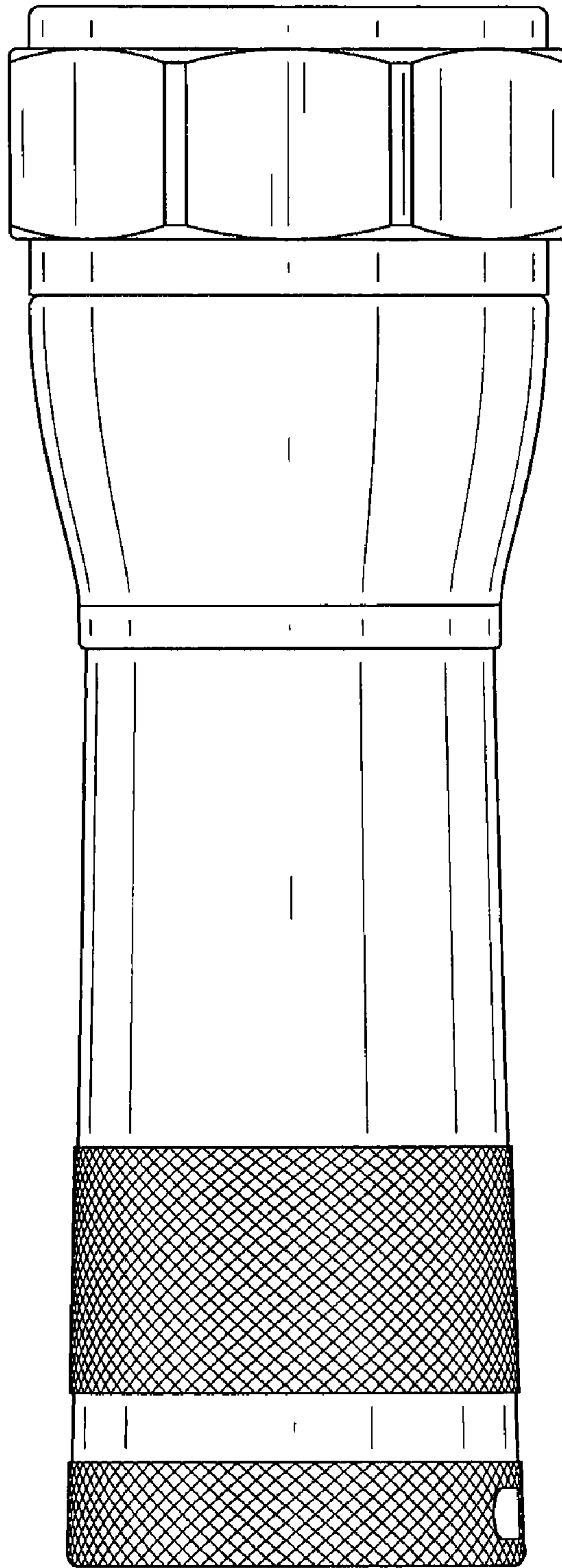


FIG. 5

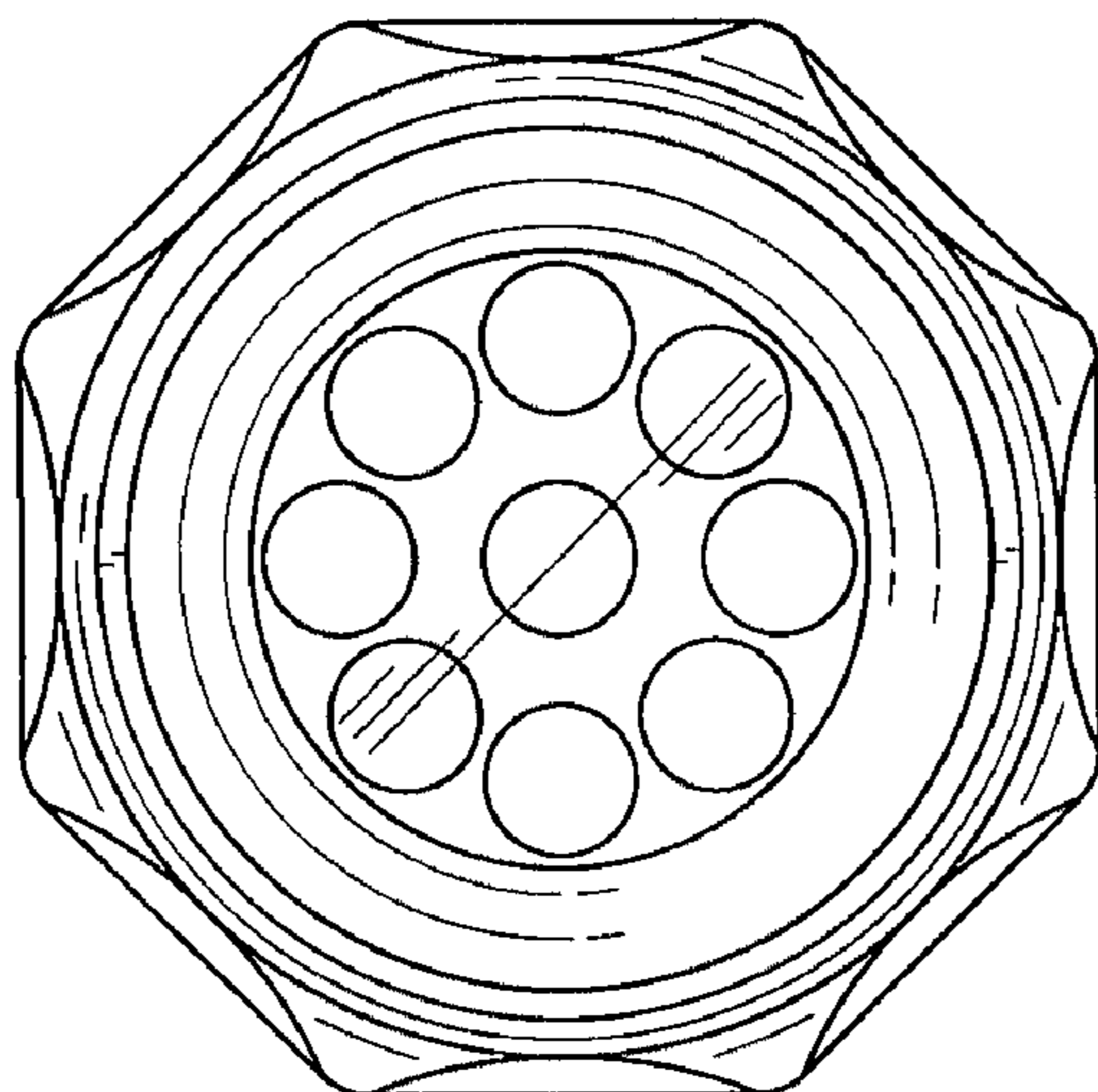


FIG. 6

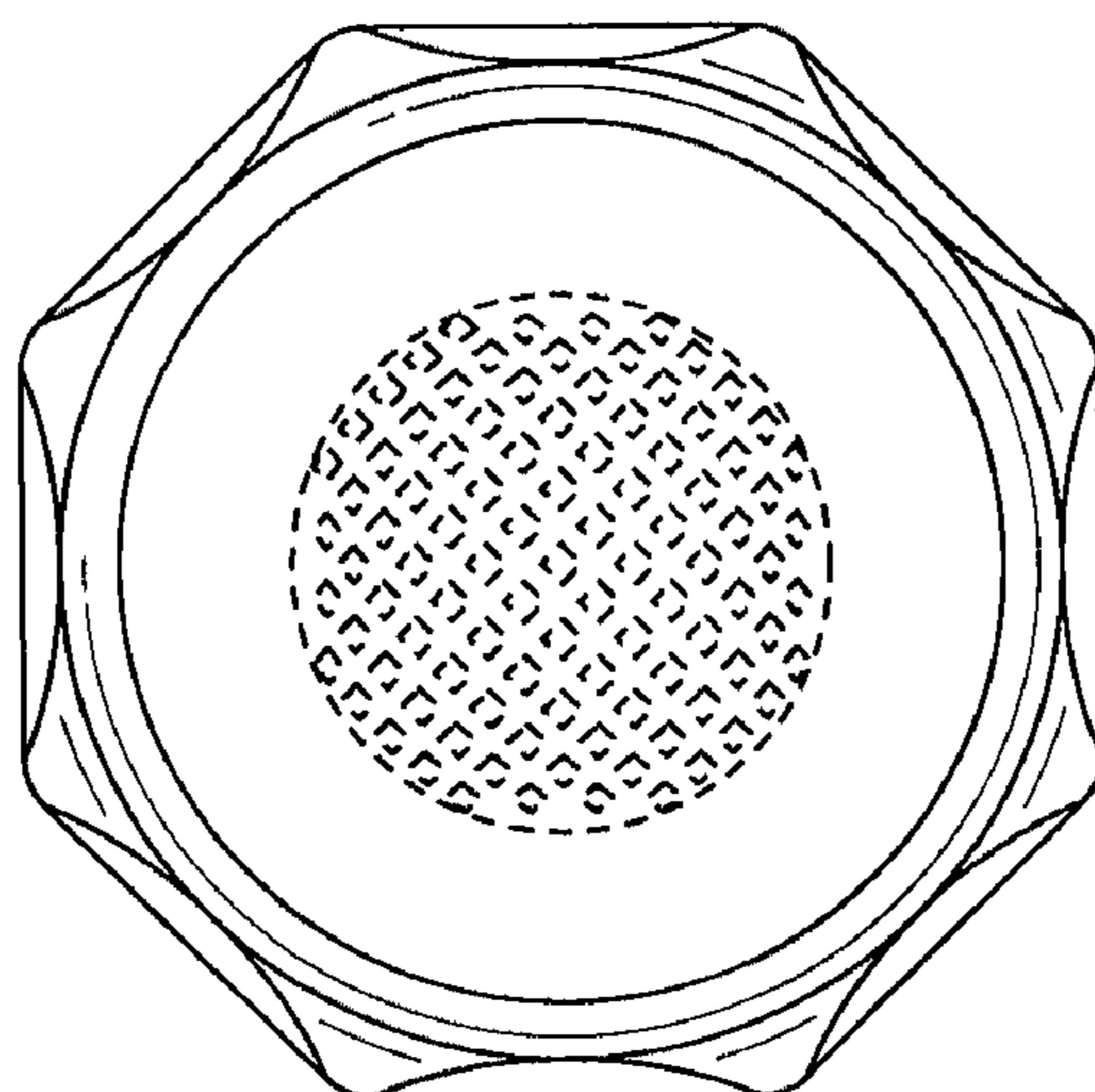


FIG. 7