



US00D659867S

(12) **United States Design Patent**  
**Zhan**

(10) **Patent No.:** **US D659,867 S**

(45) **Date of Patent:** **\*\* May 15, 2012**

- (54) **LED SPOT LIGHT FOR CAMERA**
- (76) Inventor: **Xiao-Ming Zhan**, Fujian (CN)
- (\*\*) Term: **14 Years**
- (21) Appl. No.: **29/369,819**
- (22) Filed: **Sep. 14, 2010**
- (51) **LOC (9) Cl.** ..... **26-02**
- (52) **U.S. Cl.** ..... **D26/37; D16/239; D26/24**
- (58) **Field of Classification Search** ..... D26/1-5,  
D26/120, 113, 37, 38, 63, 24; 313/483, 498,  
313/500, 313, 315, 316, 317; 257/79-81,  
257/88-89, 95, 98-100, E33.058; 362/555,  
362/800, 183, 382, 256, 235, 309; D13/180,  
D13/182; D16/239, 240  
See application file for complete search history.

D630,785	S	*	1/2011	Kim et al.	.....	D26/63
D631,178	S	*	1/2011	Kovacik et al.	.....	D26/38
D631,179	S	*	1/2011	Kim et al.	.....	D26/63
7,906,731	B2	*	3/2011	Matsui et al.	.....	174/252
D639,469	S	*	6/2011	Zhuang	.....	D26/37
D645,184	S	*	9/2011	Zhan	.....	D26/63
D645,594	S	*	9/2011	Grawe	.....	D26/63
D650,109	S	*	12/2011	Maxik et al.	.....	D26/63
D650,505	S	*	12/2011	Oka	.....	D26/63
D651,731	S	*	1/2012	Xu	.....	D26/37
2002/0048174	A1	*	4/2002	Pederson	.....	362/487
2010/0014289	A1	*	1/2010	Thomas et al.	.....	362/235
2011/0032696	A1	*	2/2011	Kim et al.	.....	362/184
2011/0122623	A1	*	5/2011	Miura	.....	362/249.02
2011/0292651	A1	*	12/2011	Kovacik et al.	.....	362/235

\* cited by examiner

Primary Examiner — Jeffrey D Asch

(57) **CLAIM**

The ornamental design for a LED spot light for camera, as shown and described.

**DESCRIPTION**

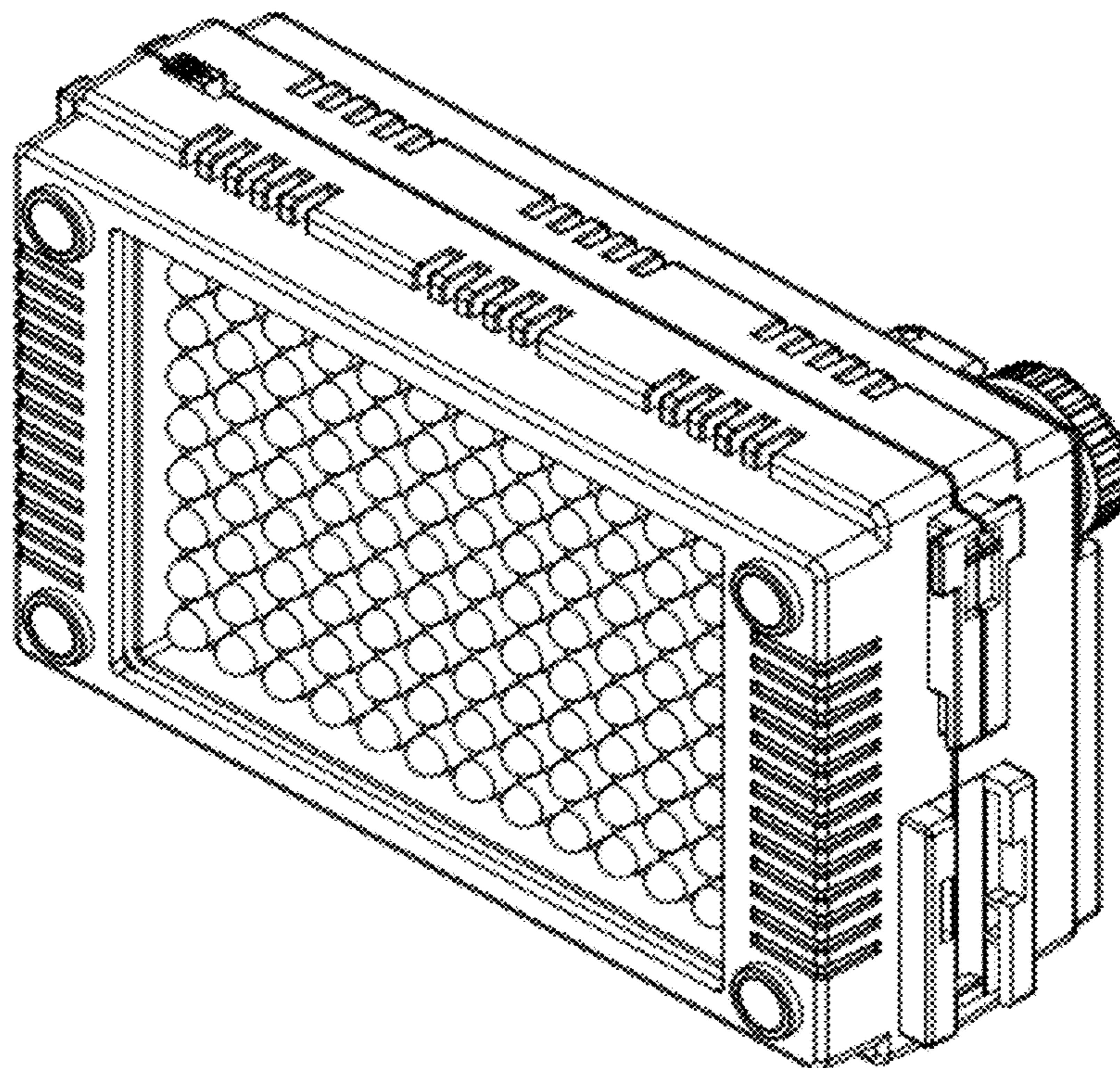
FIG. 1 is a perspective view of a LED spot light for camera showing my present design, FIG. 2 is a front view thereof; FIG. 3 is a rear view thereof; FIG. 4 is a left plan view thereof; FIG. 5 is a right plan view thereof; FIG. 6 is a top view thereof; and, FIG. 7 is a bottom view.

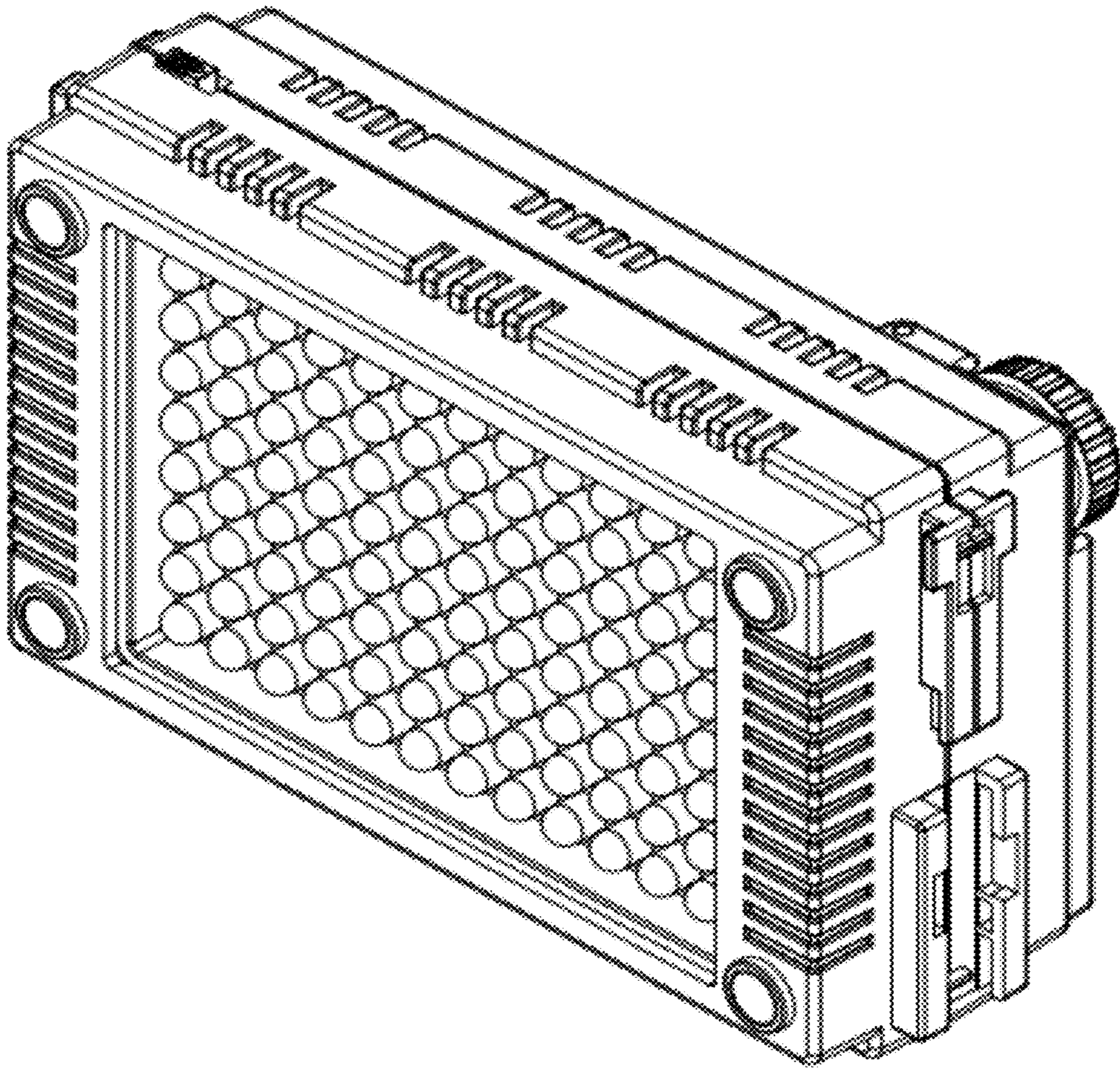
**1 Claim, 4 Drawing Sheets**

(56) **References Cited**

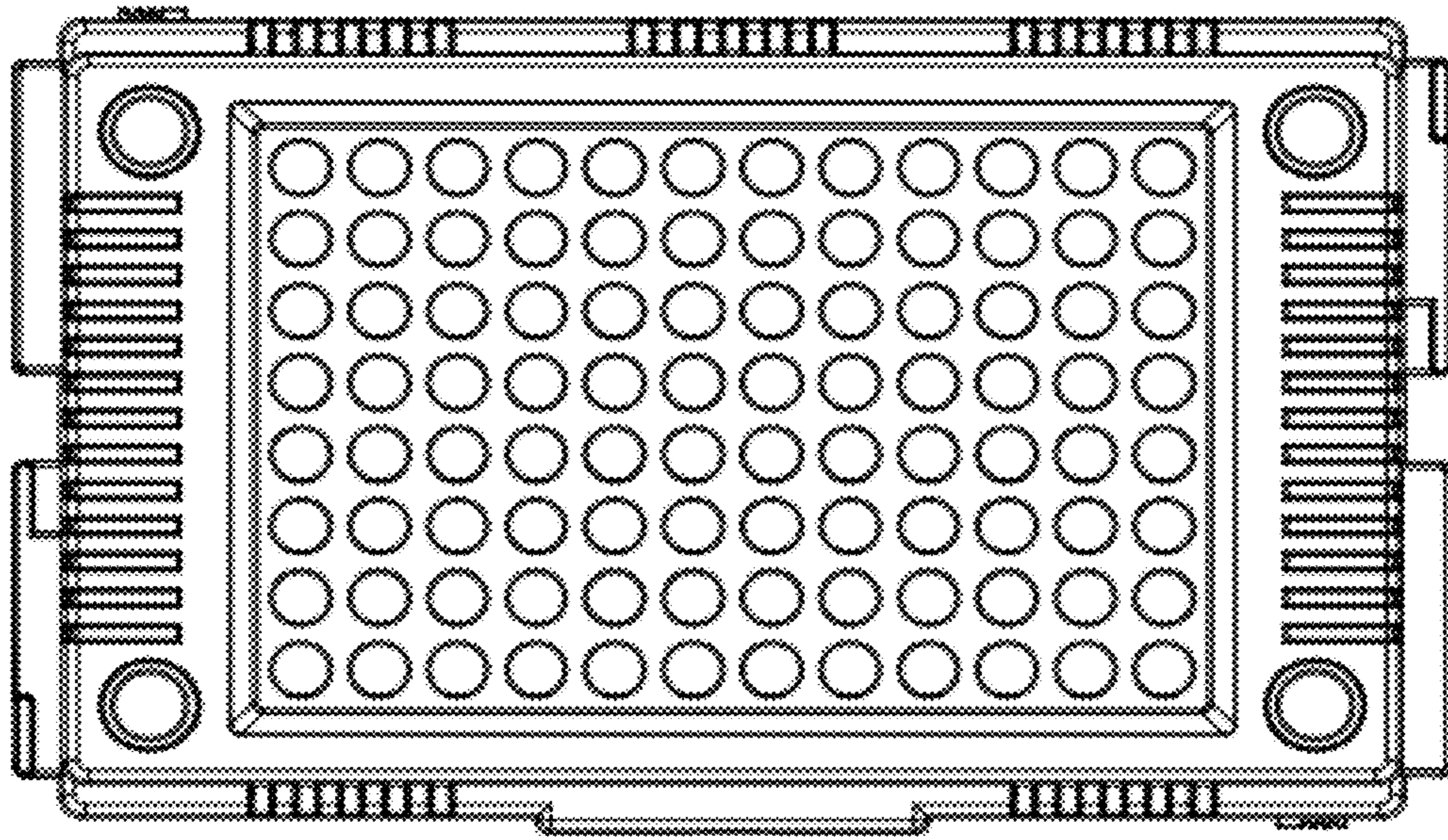
**U.S. PATENT DOCUMENTS**

D322,135	S	*	12/1991	Wierzbicki et al.	.....	D26/24
D440,513	S	*	4/2001	Smith	.....	D10/114.3
D506,273	S	*	6/2005	Matsui et al.	.....	D26/1
D511,850	S	*	11/2005	Huang	.....	D26/28
7,108,403	B1	*	9/2006	Walters et al.	.....	362/368
D573,741	S	*	7/2008	Lou	.....	D26/71
D576,333	S	*	9/2008	Benensohn	.....	D26/72
7,588,355	B1	*	9/2009	Liu et al.	.....	362/373
D614,224	S	*	4/2010	Orion et al.	.....	D16/239
7,712,923	B2	*	5/2010	Huang et al.	.....	362/267

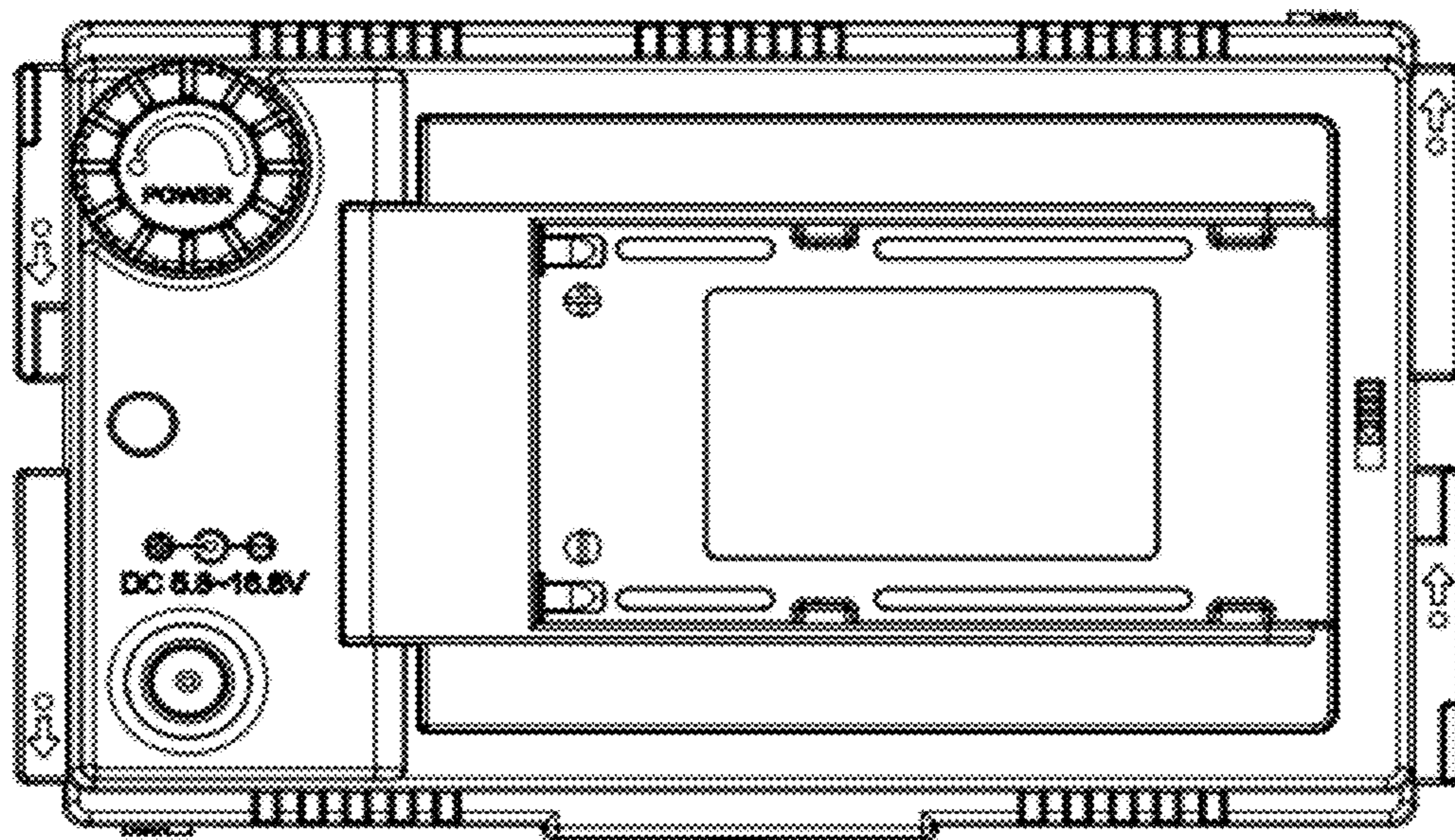




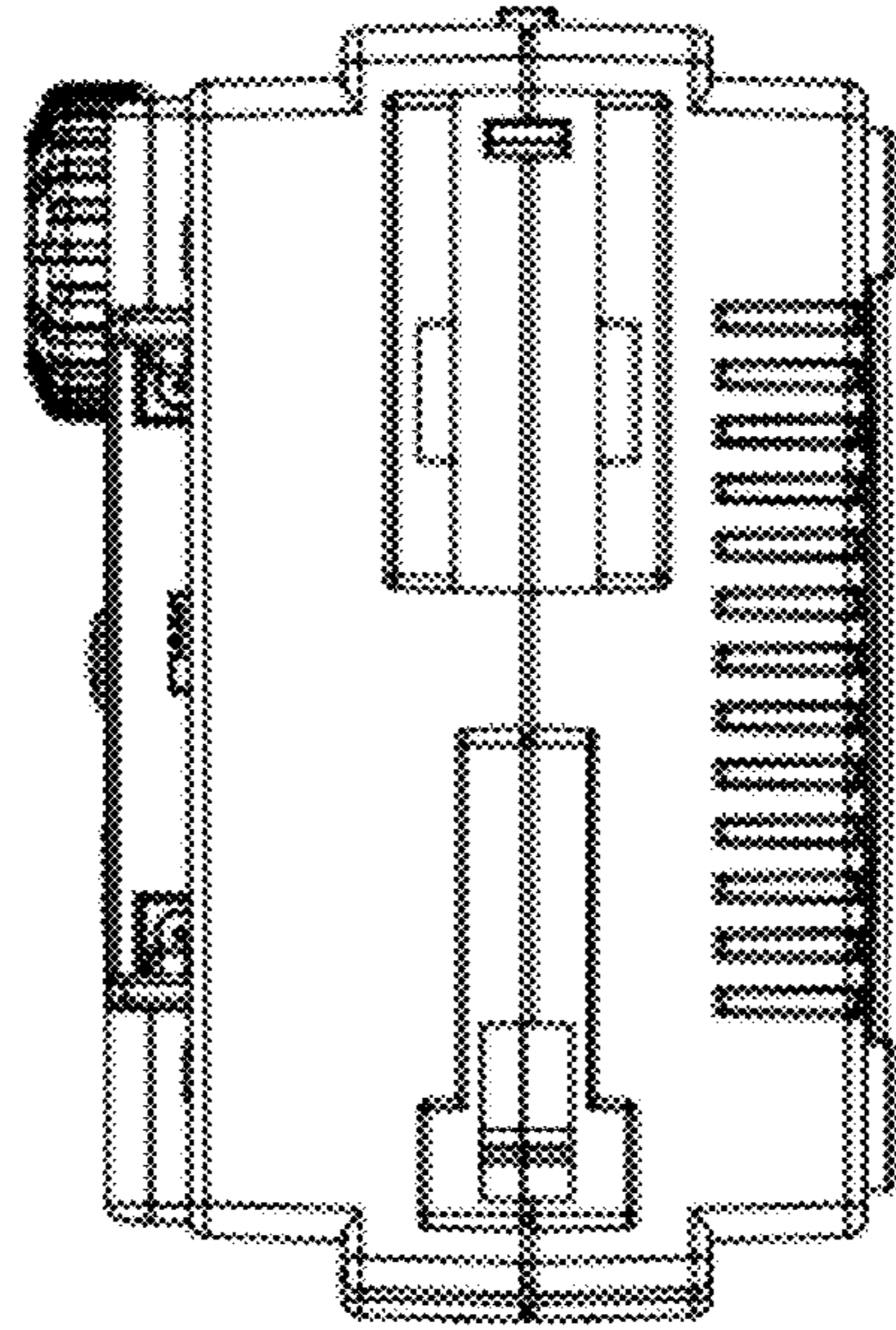
**FIG. 1**



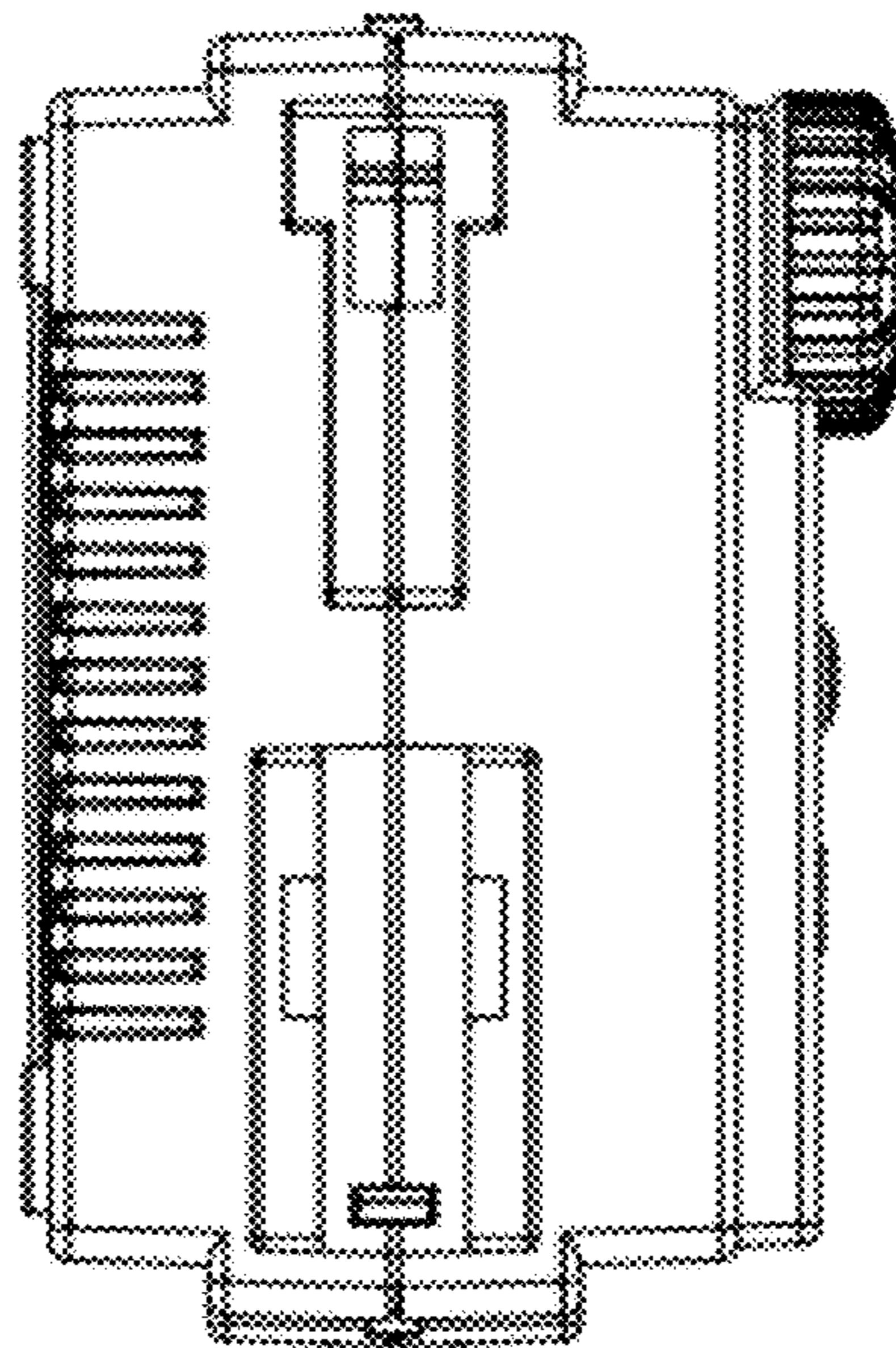
**FIG. 2**



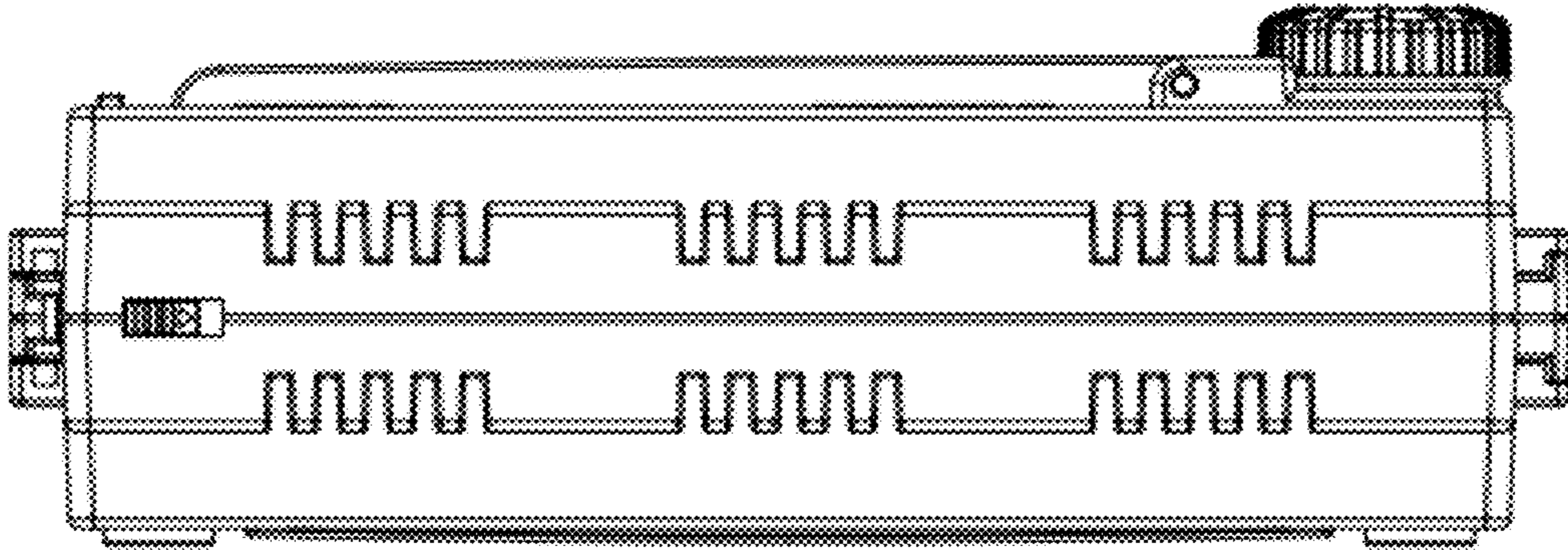
**FIG. 3**



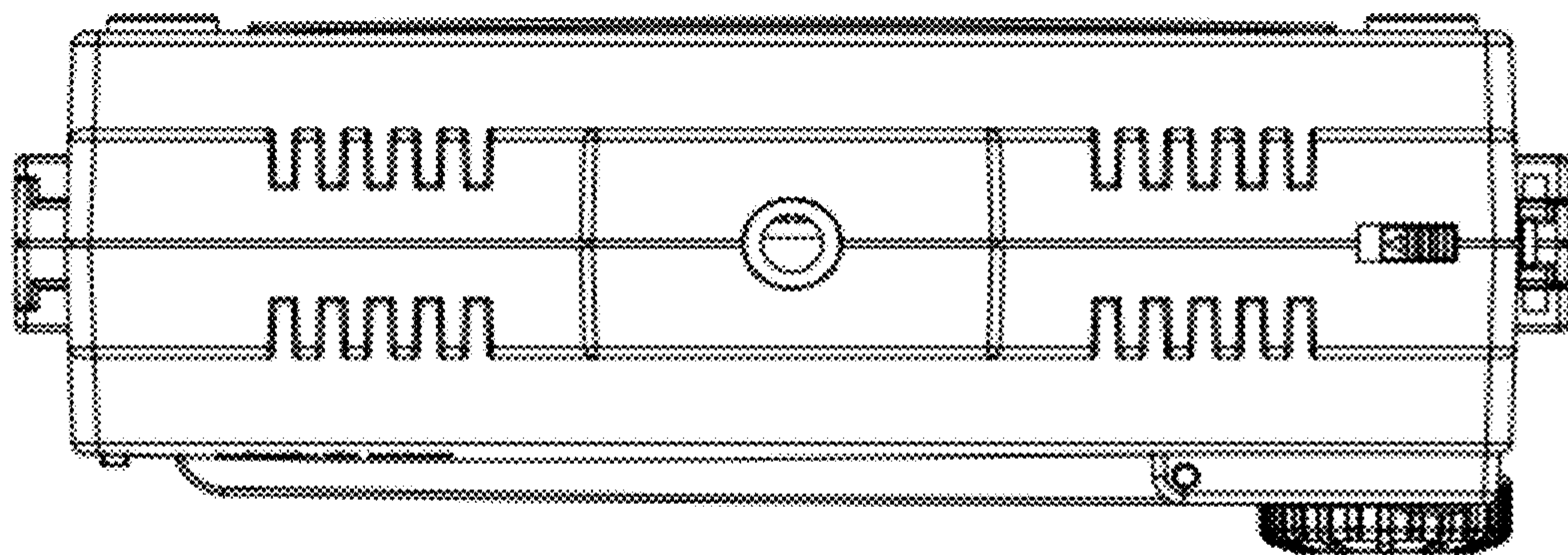
**FIG. 4**



**FIG. 5**



**FIG. 6**



**FIG. 7**