



US00D659864S

(12) **United States Design Patent**
Trittis

(10) **Patent No.:** **US D659,864 S**

(45) **Date of Patent:** **** May 15, 2012**

(54) **CANDLE LANTERN**

(75) Inventor: **Dino Trittis**, Renton, WA (US)

(73) Assignee: **Industrial Revolution, Inc.**, Redmond, WA (US)

(**) Term: **14 Years**

(21) Appl. No.: **29/391,111**

(22) Filed: **May 3, 2011**

(51) **LOC (9) Cl.** **26-01**

(52) **U.S. Cl.** **D26/11**

(58) **Field of Classification Search** D26/6-23;
431/289, 291, 292, 295, 350

See application file for complete search history.

(56) **References Cited**

U.S. PATENT DOCUMENTS

5,688,040	A *	11/1997	Klees	362/163
5,722,763	A *	3/1998	Chen	362/163
6,030,093	A *	2/2000	Draper	362/161
6,688,035	B1 *	2/2004	Shichman	43/112

* cited by examiner

Primary Examiner — T. Chase Nelson

Assistant Examiner — Ania Aman

(74) *Attorney, Agent, or Firm* — DWC Law Firm, P.S.; David Chen

(57) **CLAIM**

The ornamental design for a candle lantern, as shown and described.

DESCRIPTION

FIG. 1 is a perspective view of a candle lantern of the claimed invention, showing a chimney of the lantern placed in an extended position.

FIG. 2 is a perspective view of the candle lantern of FIG. 1, showing the chimney of the lantern placed in a retracted position.

FIG. 3 is a left side elevation view of the candle lantern of FIG. 1.

FIG. 4 is a right side elevation view of the candle lantern of FIG. 1.

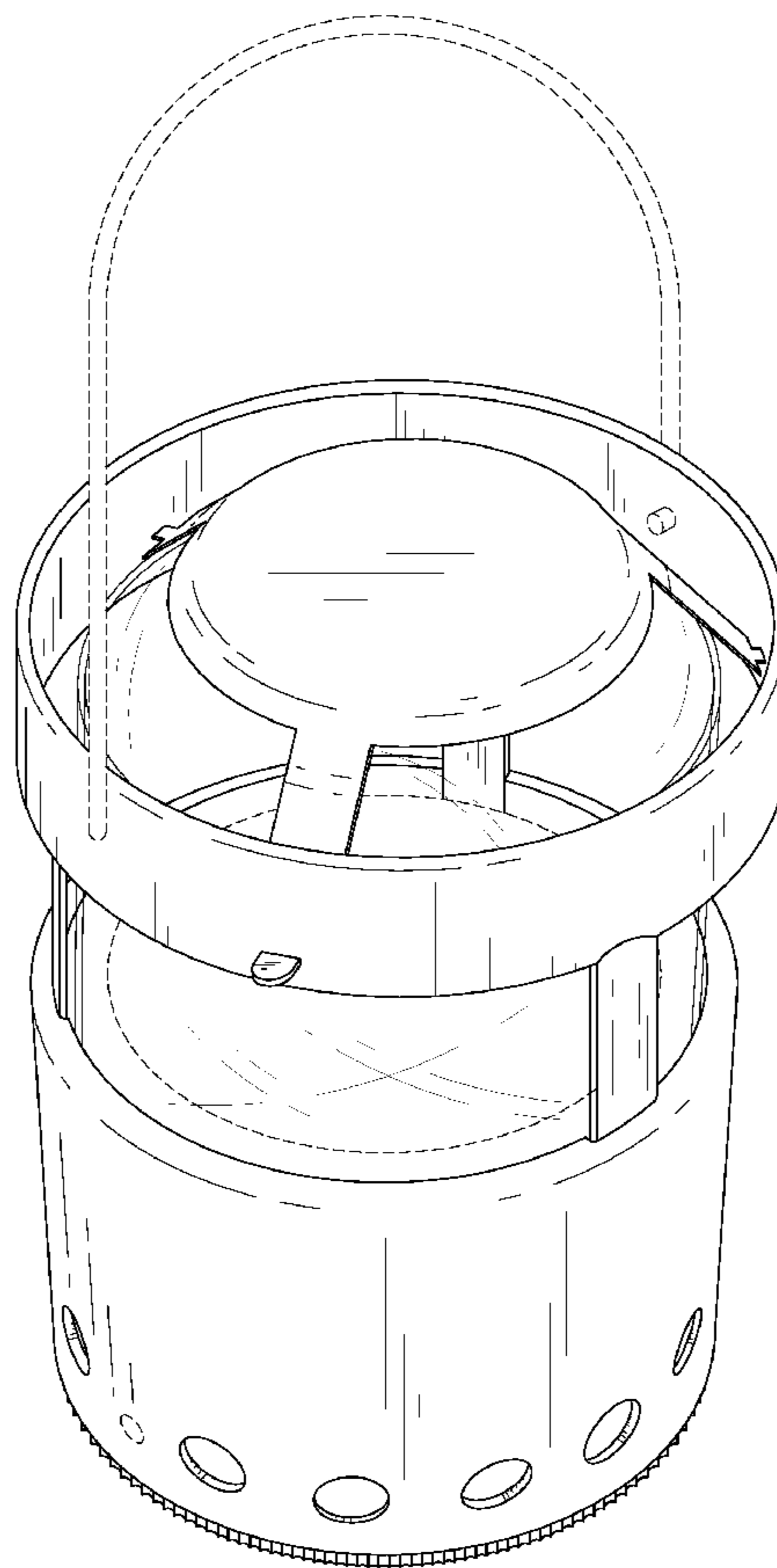
FIG. 5 is a front side elevation view of the candle lantern of FIG. 1.

FIG. 6 is a back side elevation view of the candle lantern of FIG. 1.

FIG. 7 is a top plan view of the candle lantern of FIG. 1; and, FIG. 8 is a bottom plan view of the candle lantern of FIG. 1.

The broken lines are for illustrative purposes only and form no part of the claimed design.

1 Claim, 8 Drawing Sheets



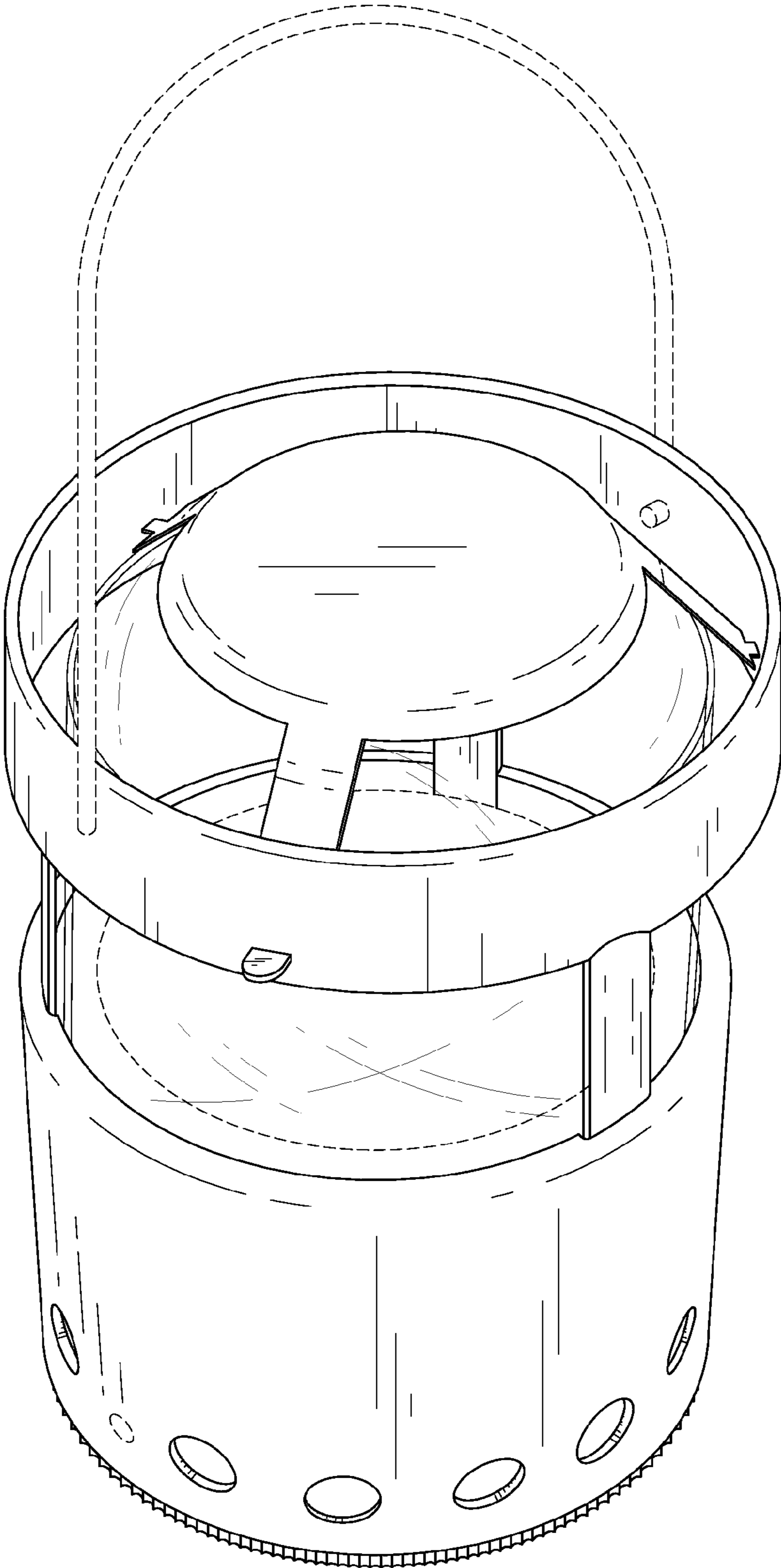


FIG. 1

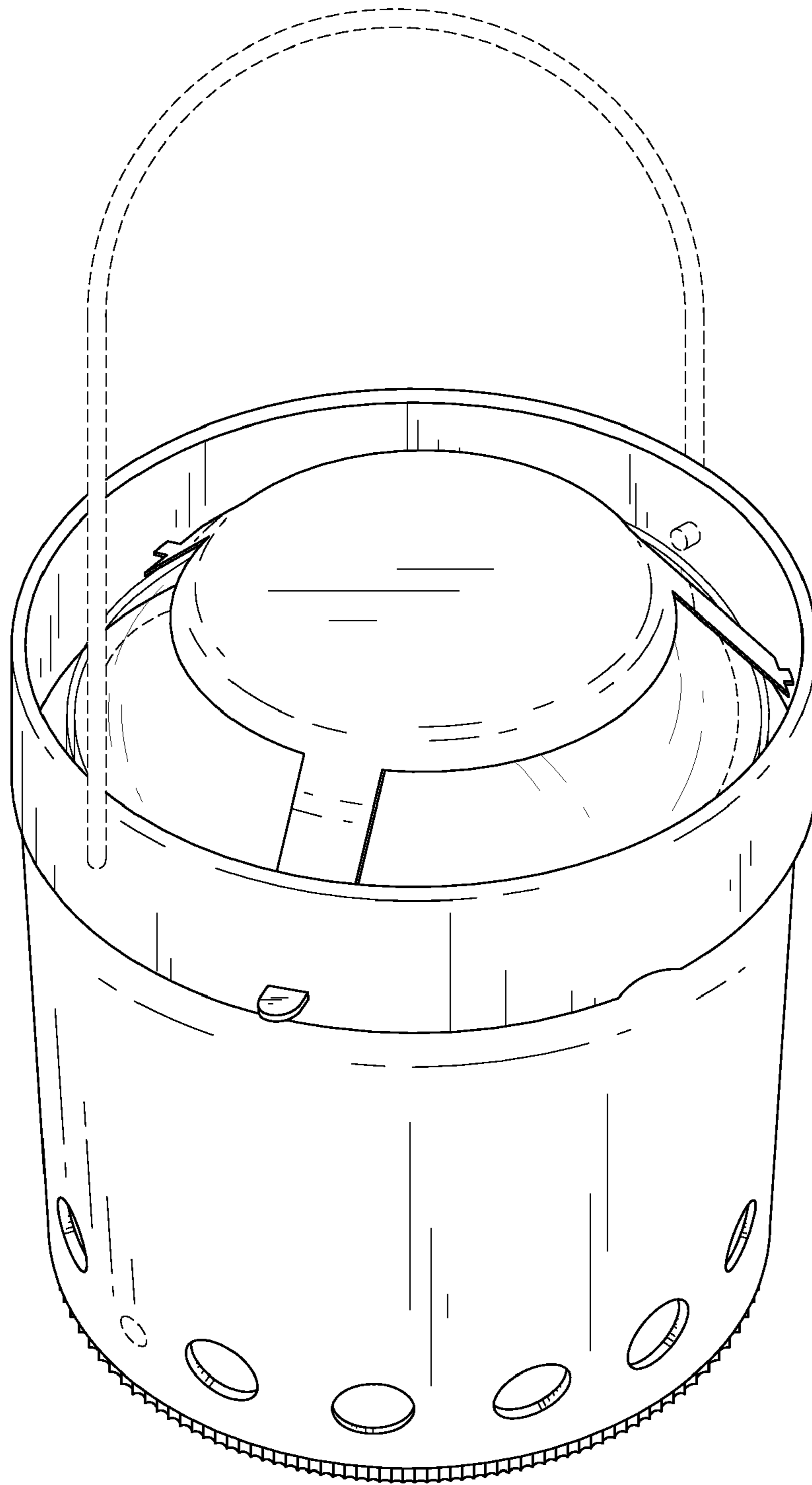


FIG. 2

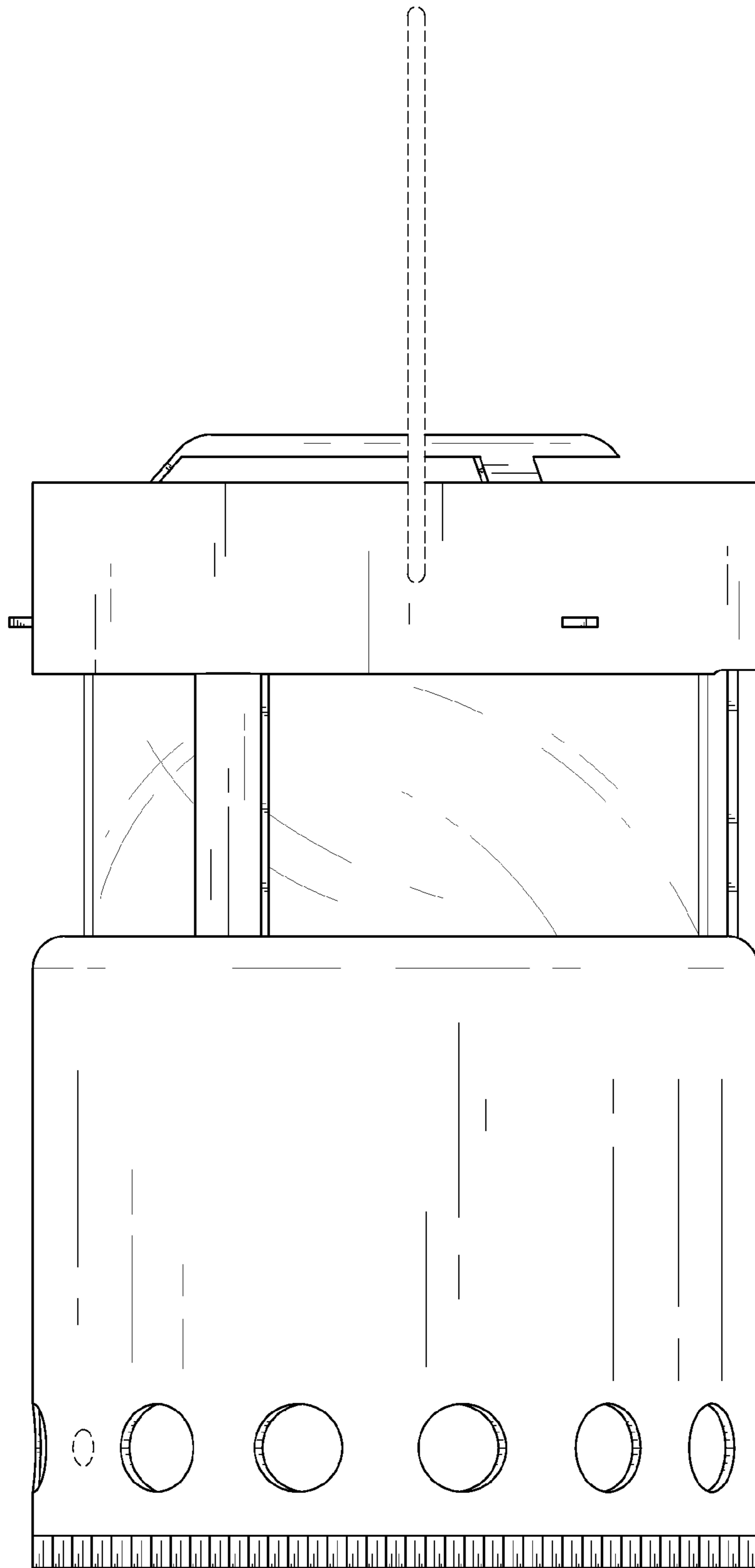


FIG. 3

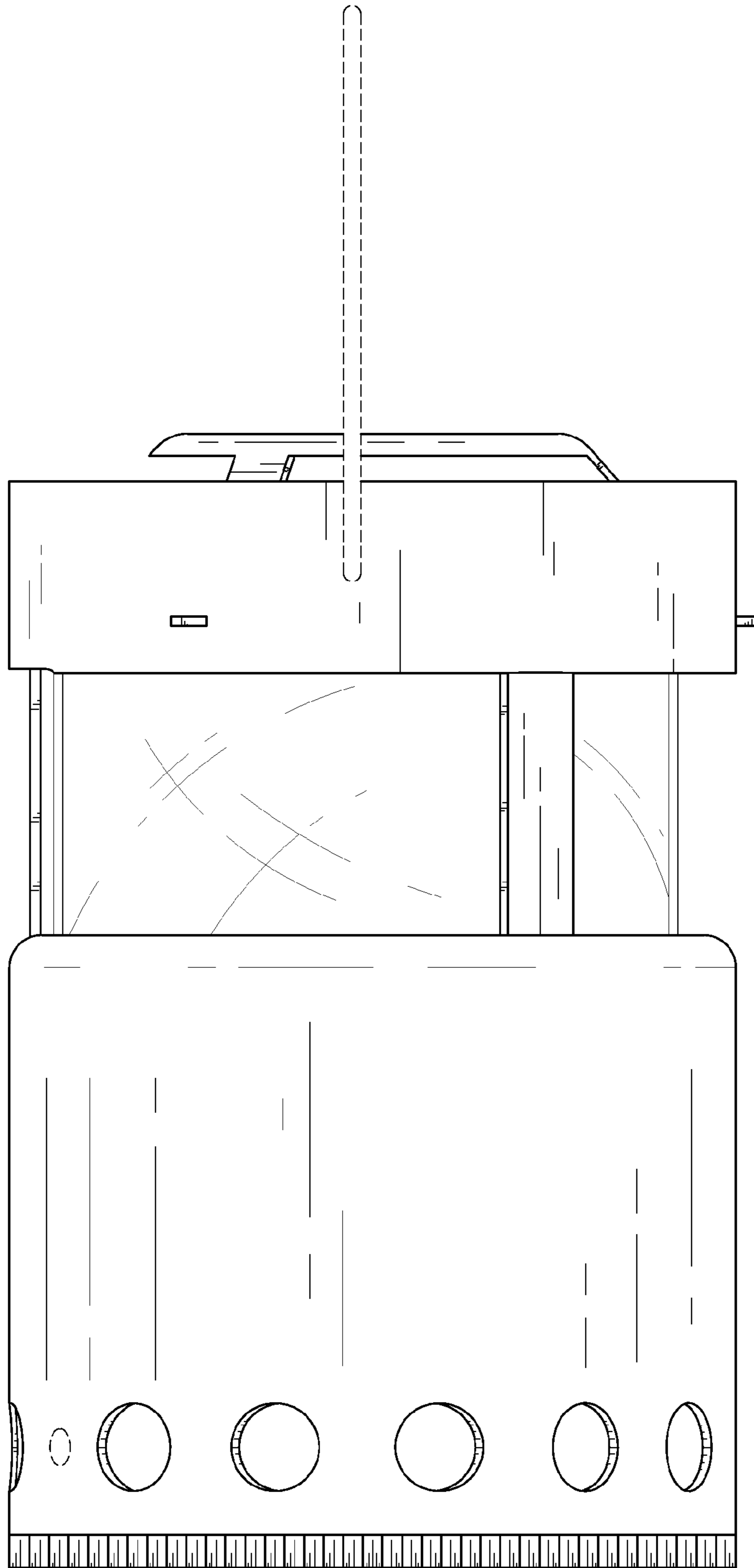


FIG. 4

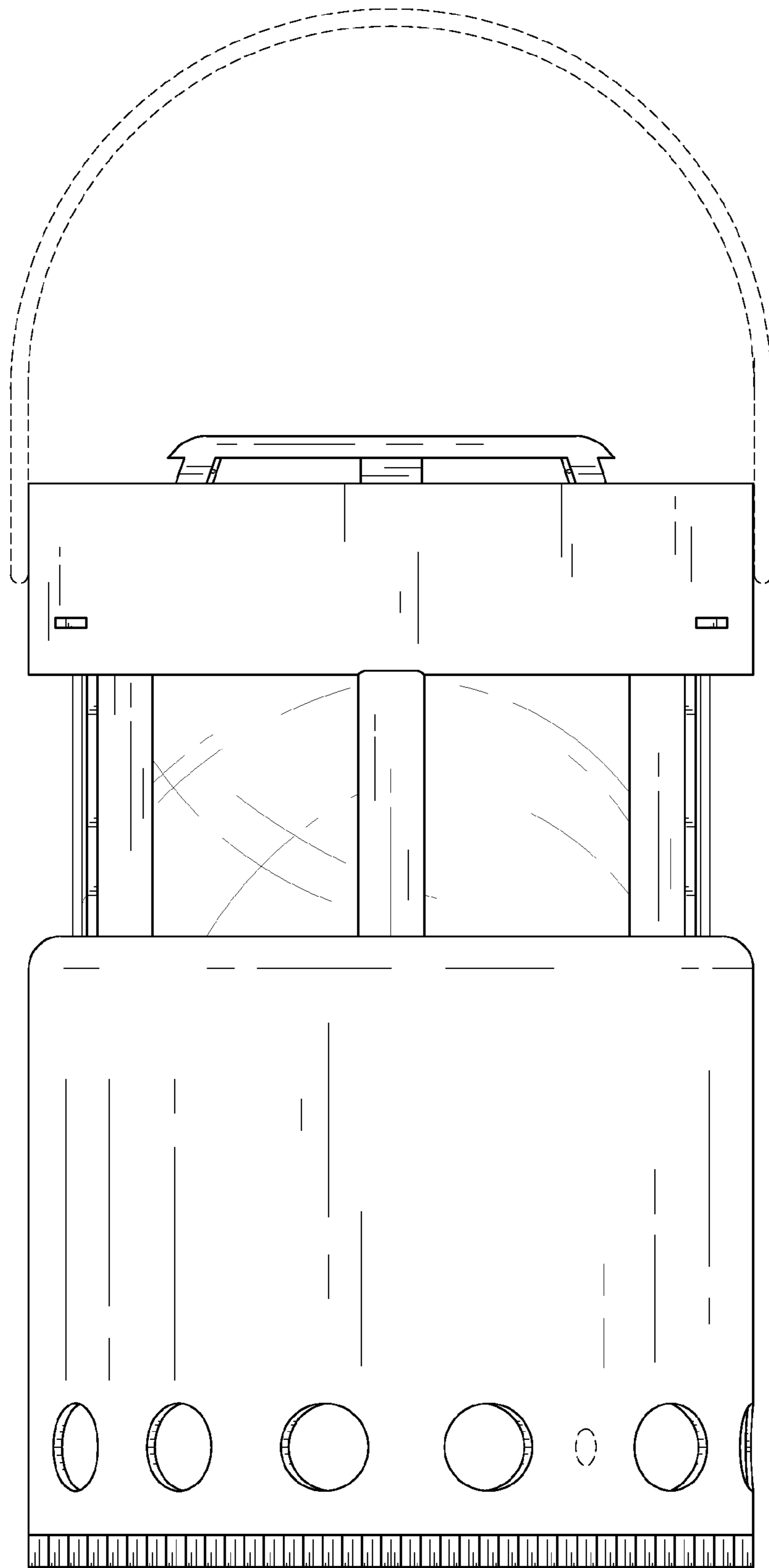


FIG. 5

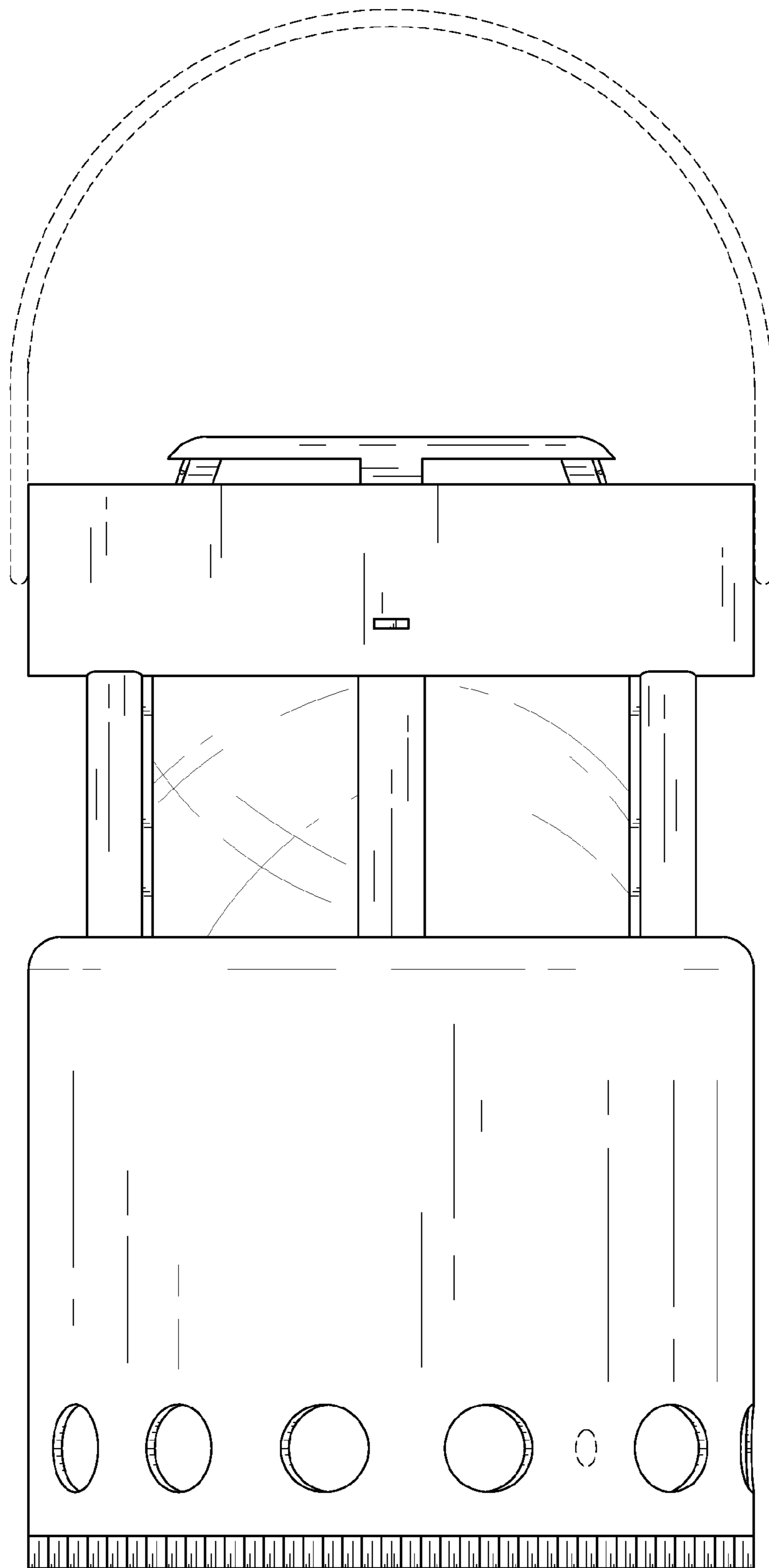


FIG. 6

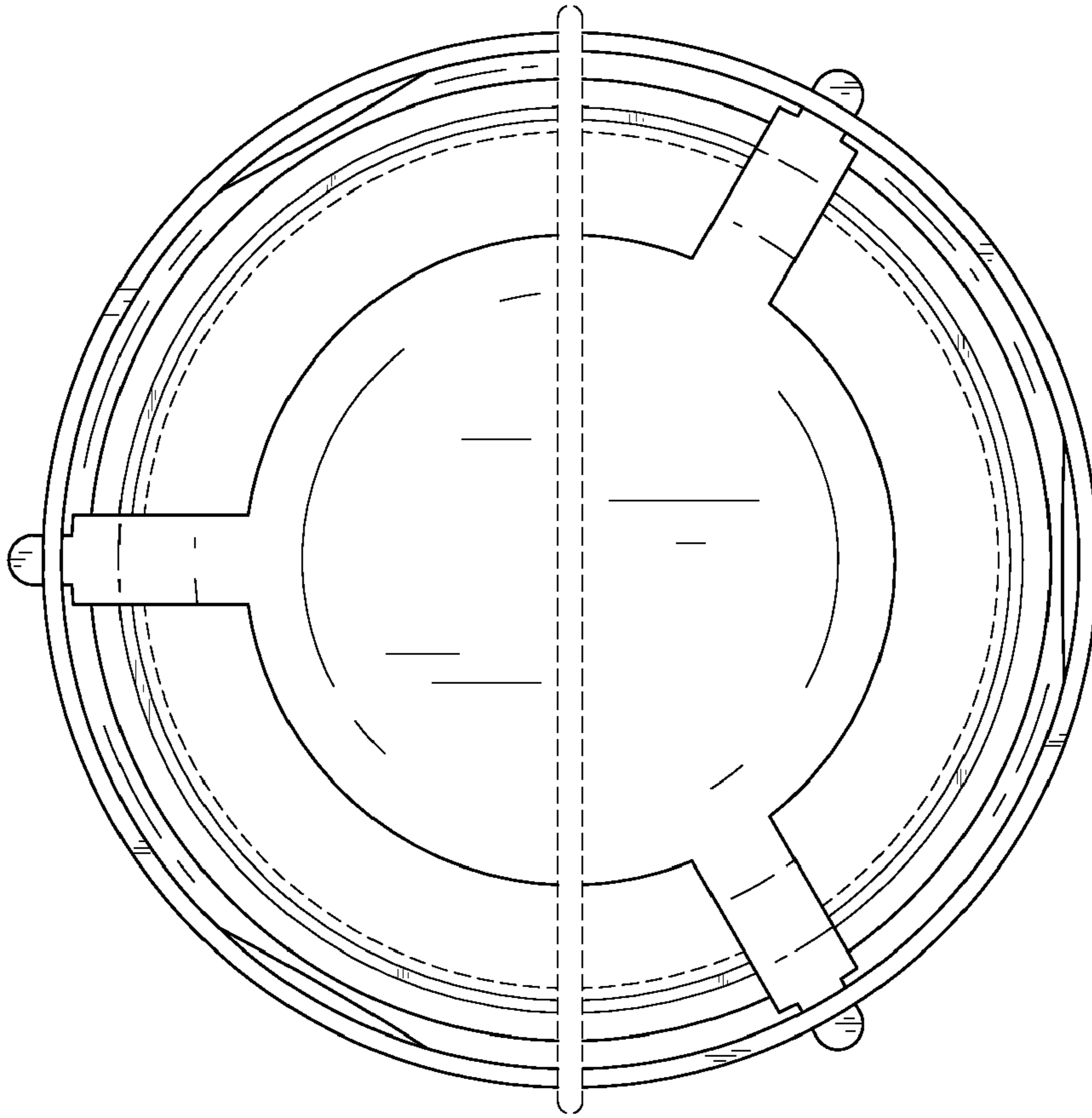


FIG. 7

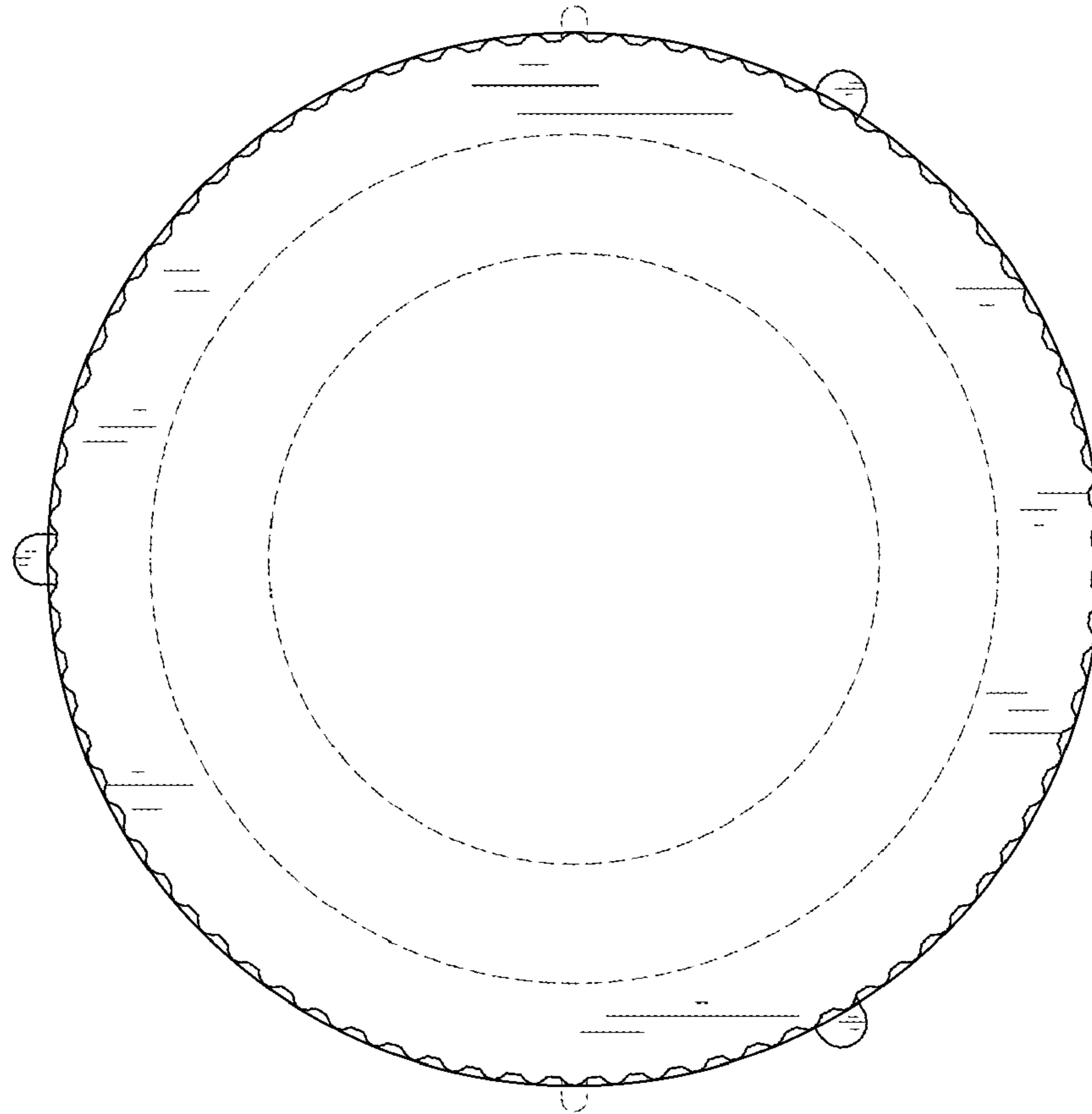


FIG. 8