



US00D659862S

(12) **United States Design Patent**  
**Tsai**

(10) **Patent No.:** **US D659,862 S**  
(45) **Date of Patent:** **\*\* May 15, 2012**

(54) **LED LIGHT**

(75) Inventor: **Wen-Kuei Tsai**, Taipei (TW)  
(73) Assignee: **Top Energy Saving System Corp.**, New Taipei (TW)

(\*\*) Term: **14 Years**

(21) Appl. No.: **29/402,059**

(22) Filed: **Sep. 20, 2011**

(30) **Foreign Application Priority Data**

Mar. 23, 2011 (TW) ..... 100301378

(51) **LOC (9) Cl.** ..... **26-04**

(52) **U.S. Cl.** ..... **D26/2**

(58) **Field of Classification Search** ..... D26/1-4;  
313/313, 315, 316, 317, 318, 493; 315/52,  
315/53, 56, 57, 58

See application file for complete search history.

(56) **References Cited**

U.S. PATENT DOCUMENTS

D545,457 S *	6/2007	Chen .....	D26/2
D584,428 S *	1/2009	Li et al. ....	D26/2
D587,384 S *	2/2009	Wei .....	D26/2
D592,766 S *	5/2009	Zhu et al. ....	D26/2
D601,275 S *	9/2009	Ho et al. ....	D26/2
D646,805 S *	10/2011	Kim et al. ....	D26/2

\* cited by examiner

*Primary Examiner* — Marcus Jackson

(74) *Attorney, Agent, or Firm* — Stout, Uxa, Buyan & Mullins, LLP

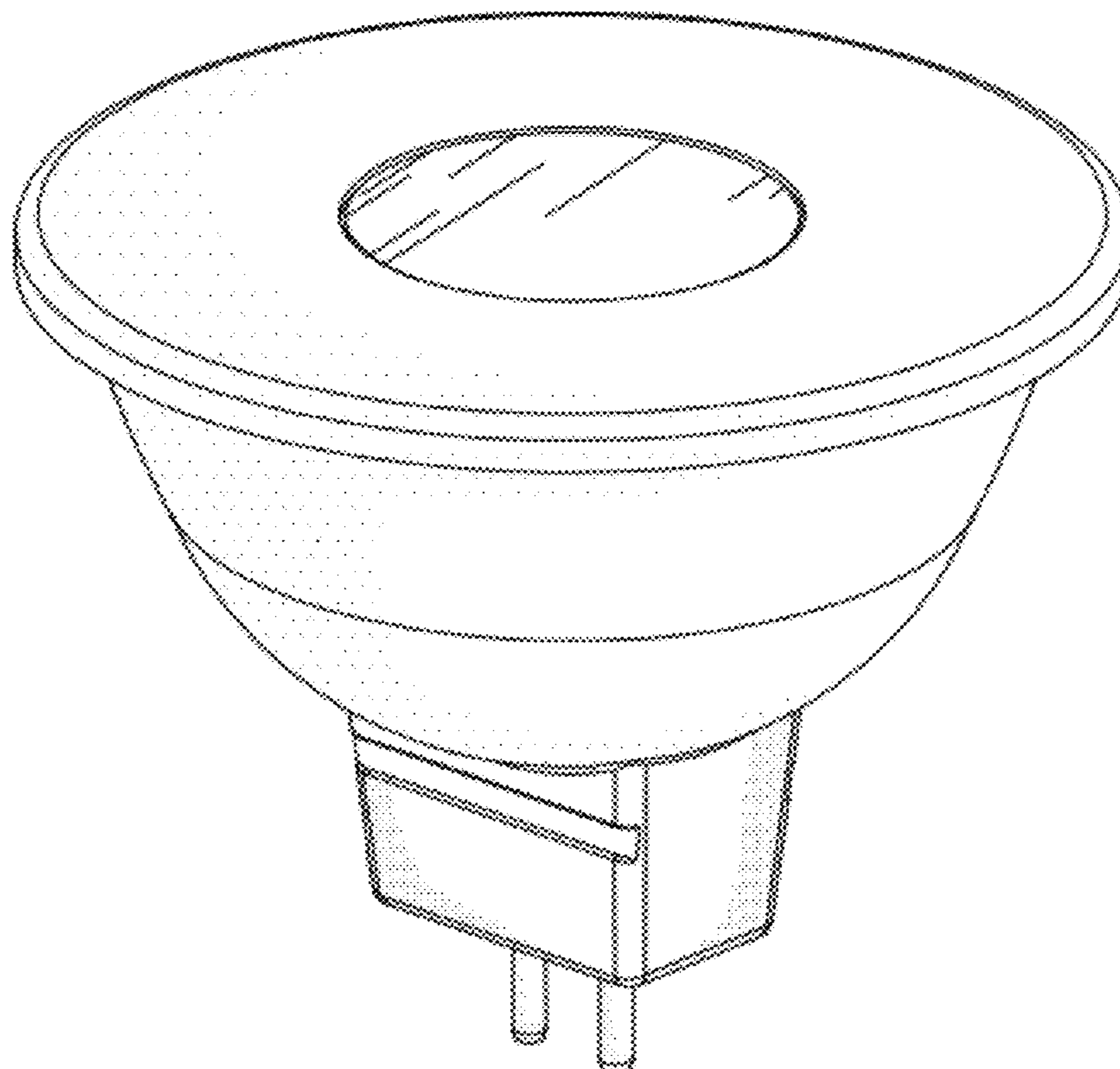
(57) **CLAIM**

The ornamental design for an LED light, as shown and described.

**DESCRIPTION**

FIG. 1 is a perspective view of a design for an LED light showing our new design;  
FIG. 2 is a front elevational view thereof;  
FIG. 3 is a rear elevational view thereof;  
FIG. 4 is a left side elevational view thereof;  
FIG. 5 is a right side elevational view thereof;  
FIG. 6 is a top plan view thereof; and,  
FIG. 7 is a bottom plan view thereof.

**1 Claim, 7 Drawing Sheets**



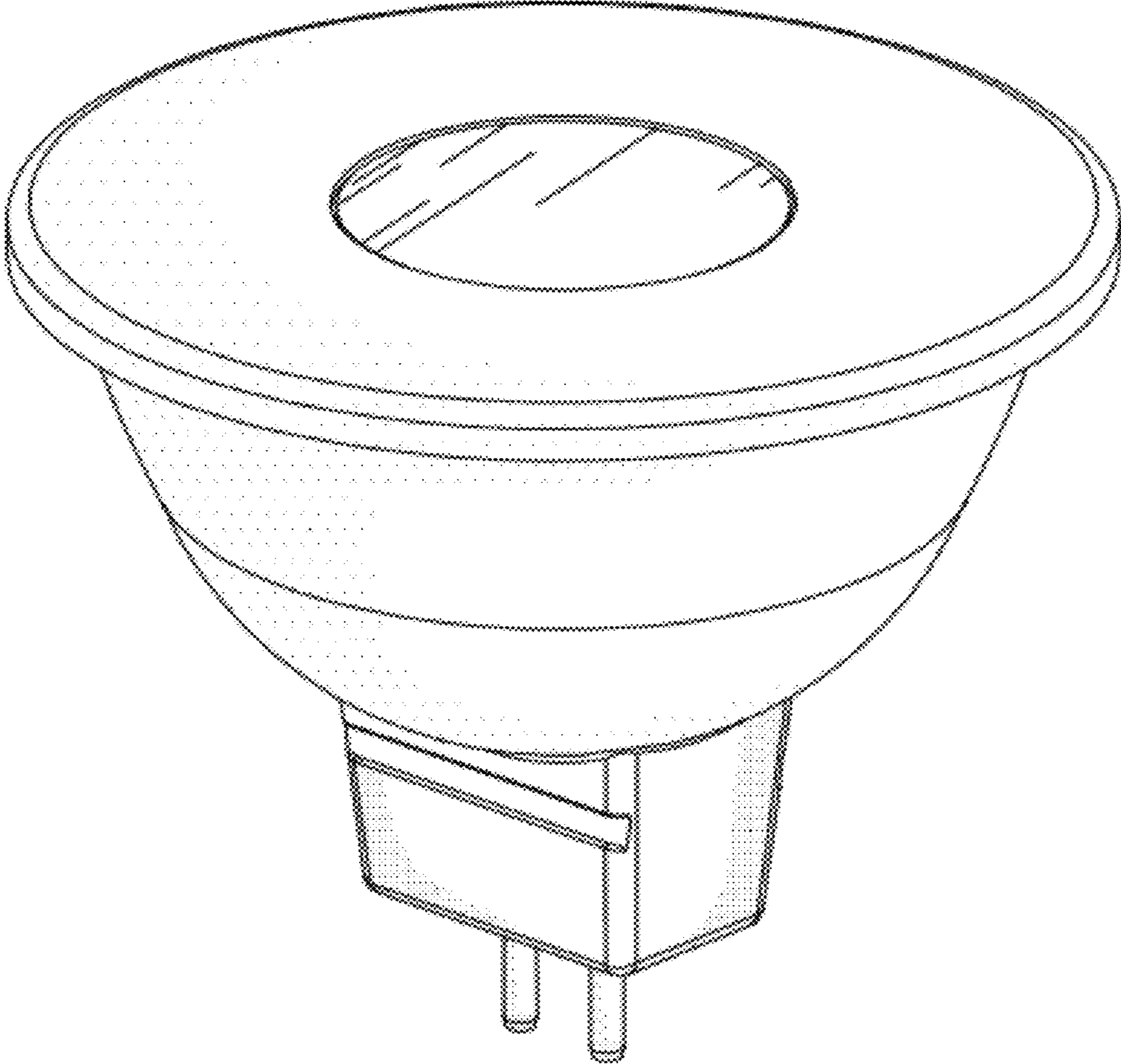


FIG. 1

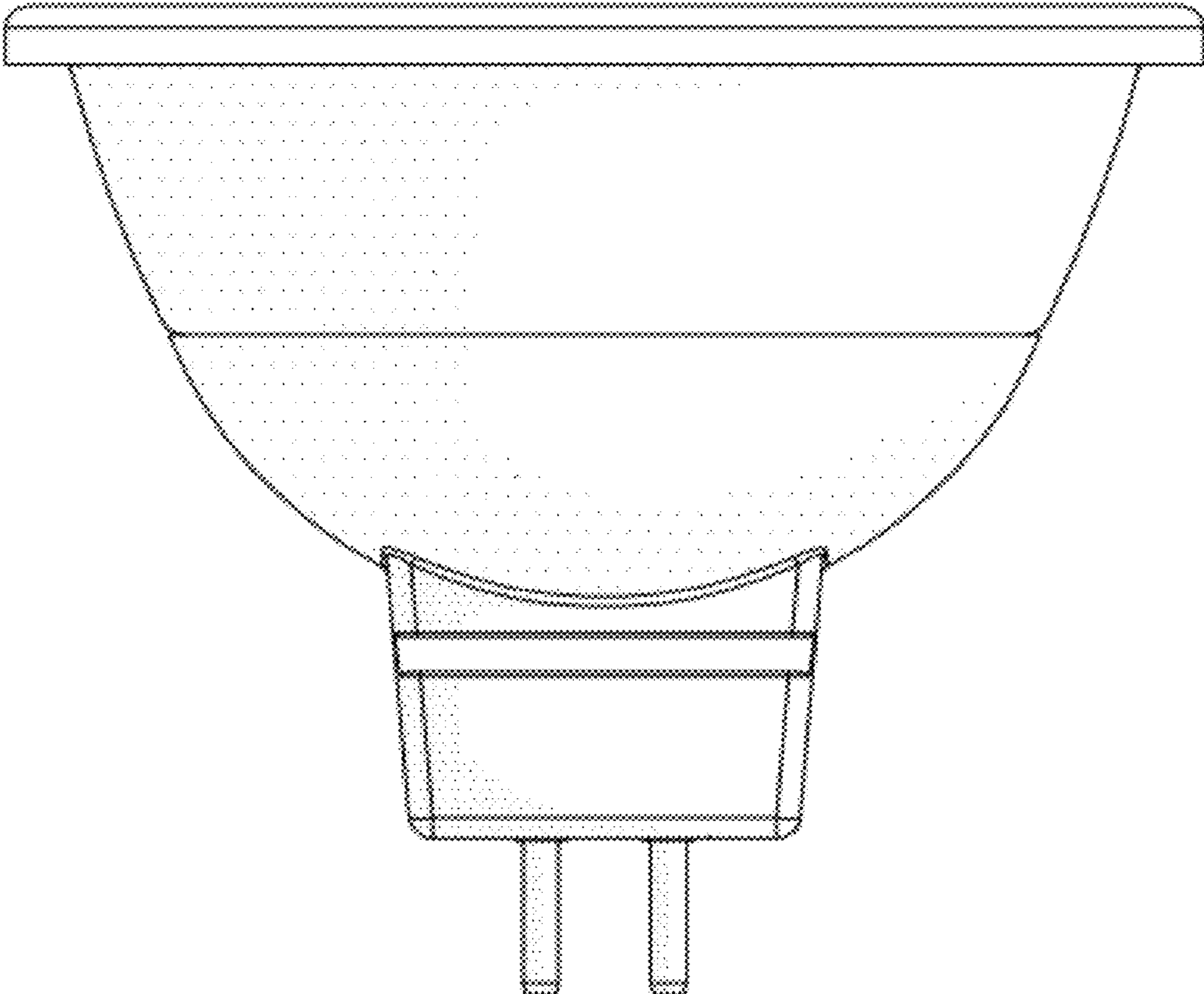


FIG.2

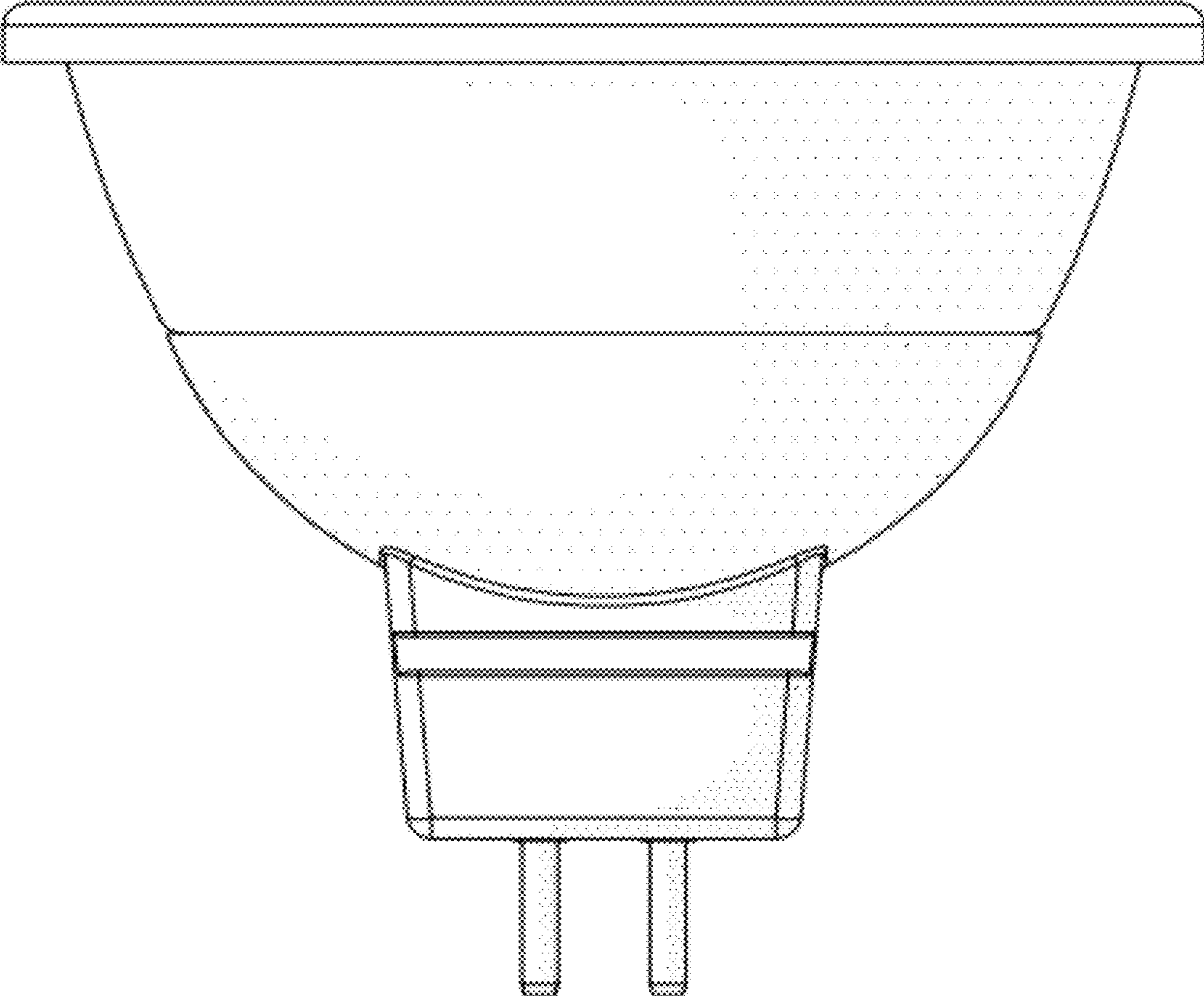


FIG.3

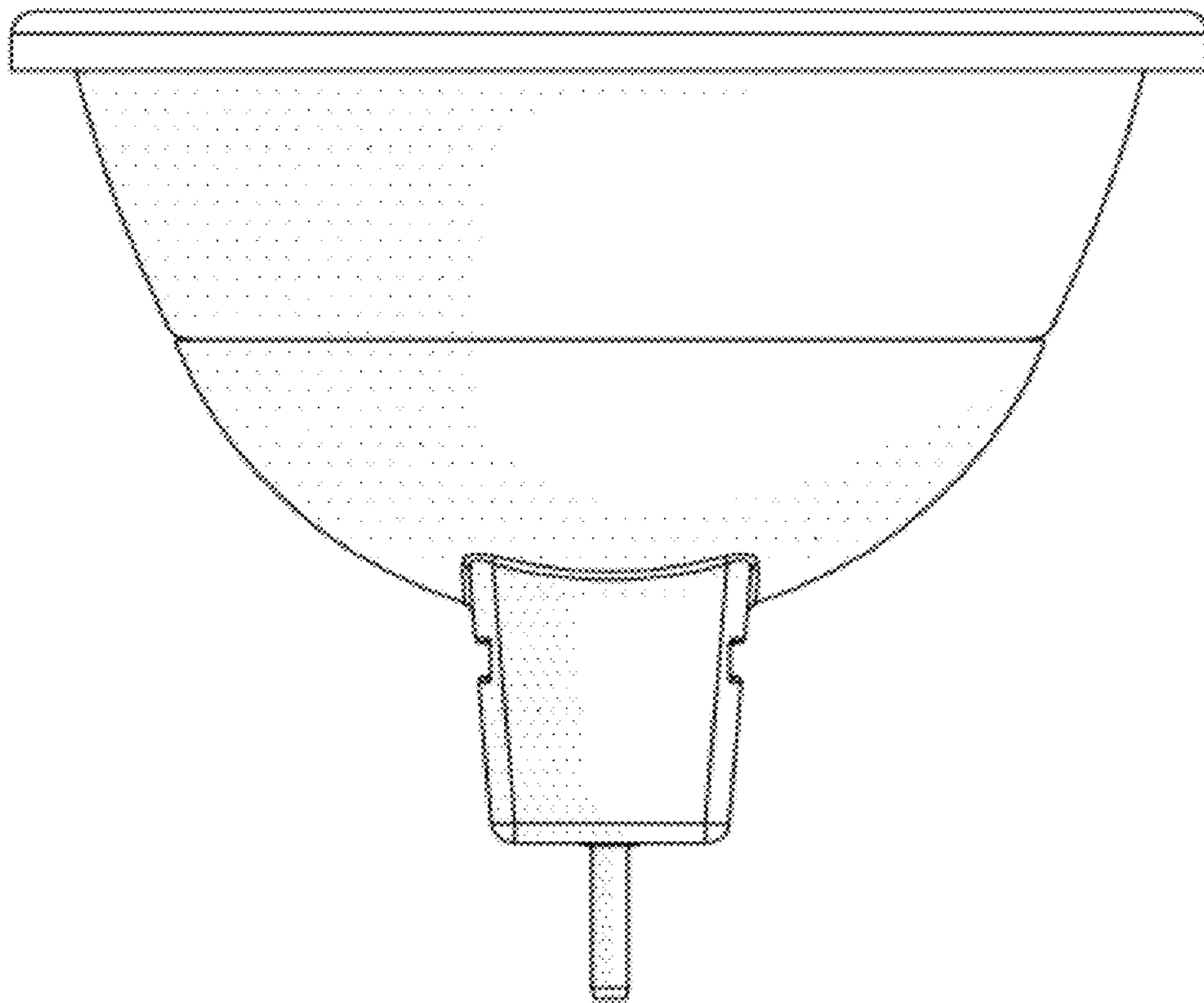


FIG.4

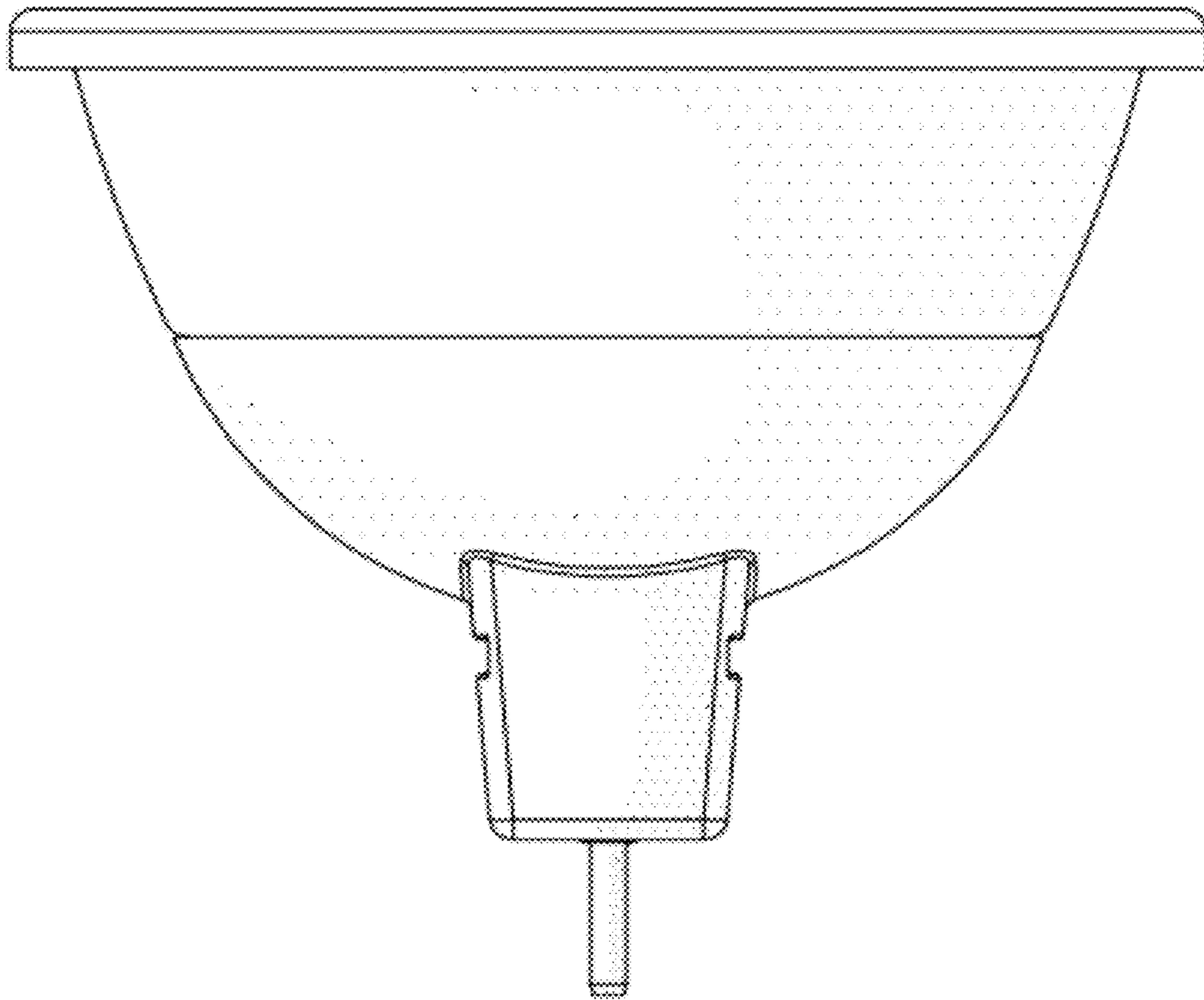


FIG.5



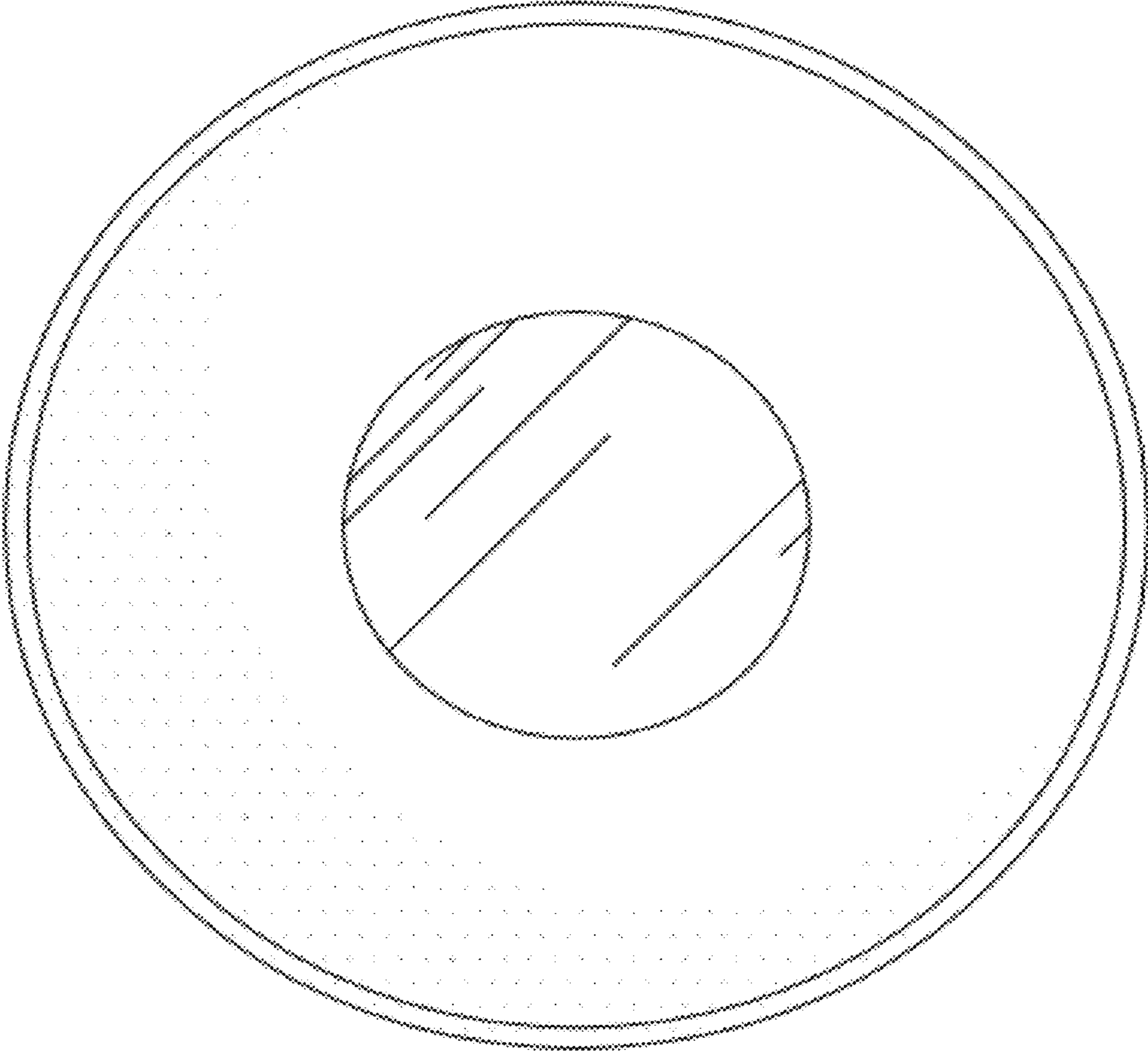


FIG.6

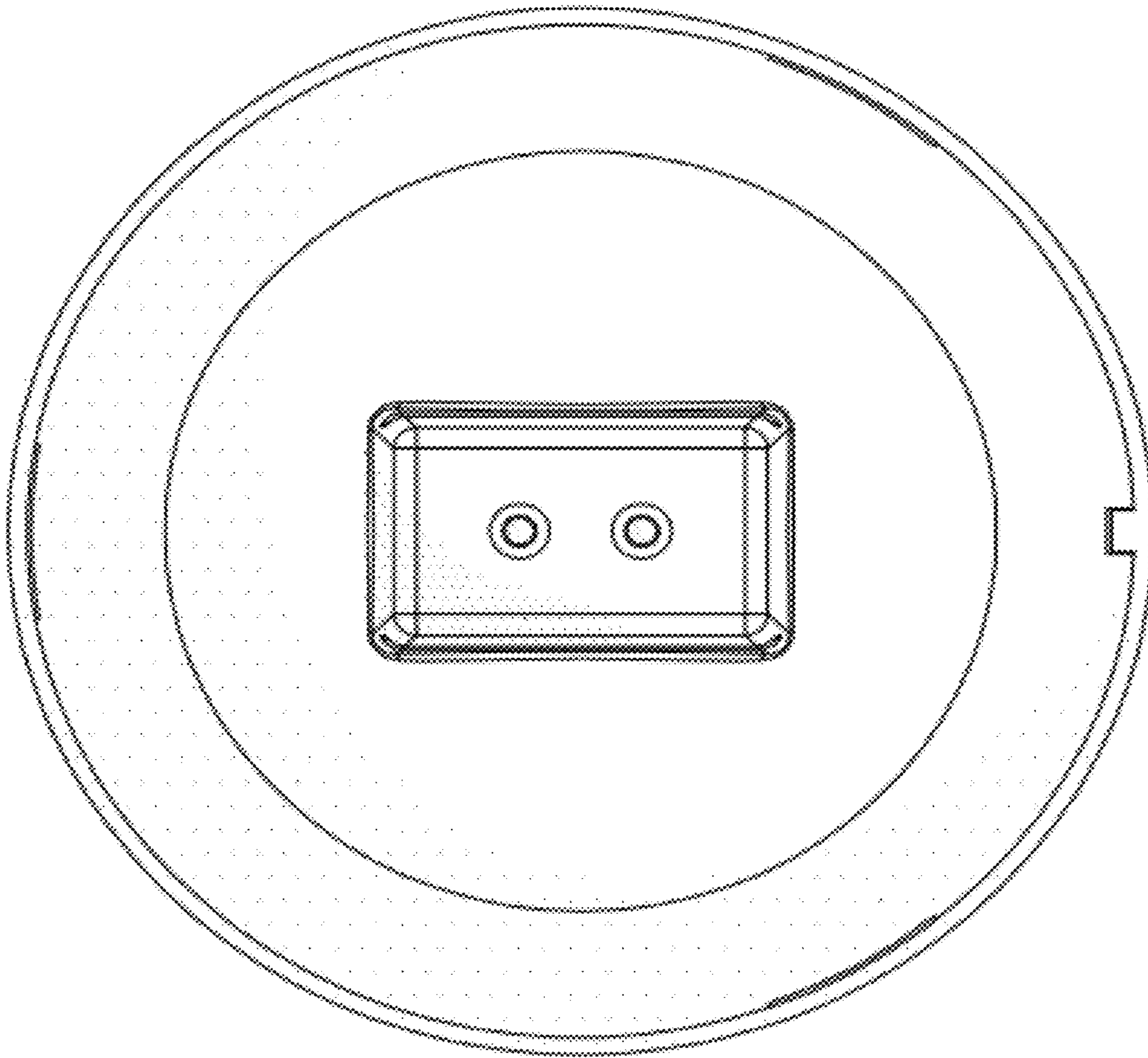


FIG. 7