



US00D659861S

(12) **United States Design Patent**
Yoshinobu et al.

(10) **Patent No.:** **US D659,861 S**

(45) **Date of Patent:** **** May 15, 2012**

(54) **LIGHT EMITTING DIODE LAMP**

(56) **References Cited**

(75) Inventors: **Masayuki Yoshinobu**, Kanagawa (JP);
Shigeru Motoki, Tokyo (JP); **Kunihiko Ikada**, Kanagawa (JP); **Junichiro Yamamoto**, Kanagawa (JP); **Hairong Pang**, Hangzhou (CN); **Xinchao Xu**, Hangzhou (CN)

U.S. PATENT DOCUMENTS

D392,057	S	*	3/1998	Chen	D26/2
D405,201	S	*	2/1999	Lodhie	D26/2
D426,899	S	*	6/2000	Au Yeng	D26/2
D543,644	S	*	5/2007	Bembridge	D26/2
D629,535	S	*	12/2010	Lee	D26/2

FOREIGN PATENT DOCUMENTS

JP	D1413585	5/2011
JP	D1414111	5/2011

* cited by examiner

Primary Examiner — Marcus Jackson

(74) *Attorney, Agent, or Firm* — J.C. Patents

(57) **CLAIM**

The ornamental design for a light emitting diode lamp, as shown and described.

DESCRIPTION

FIG. 1 is a perspective view of a light emitting diode lamp showing our new design;
 FIG. 2 is a front view thereof, the rear view being a mirror image of the front view;
 FIG. 3 is a right side view thereof, the left side view being a mirror image of the right side view;
 FIG. 4 is a top view thereof; and,
 FIG. 5 is a bottom view thereof.

1 Claim, 4 Drawing Sheets

(73) Assignee: **Toshiba Lighting & Technology Corporation**, Kanagawa (JP)

(**) Term: **14 Years**

(21) Appl. No.: **29/400,123**

(22) Filed: **Aug. 23, 2011**

(30) **Foreign Application Priority Data**

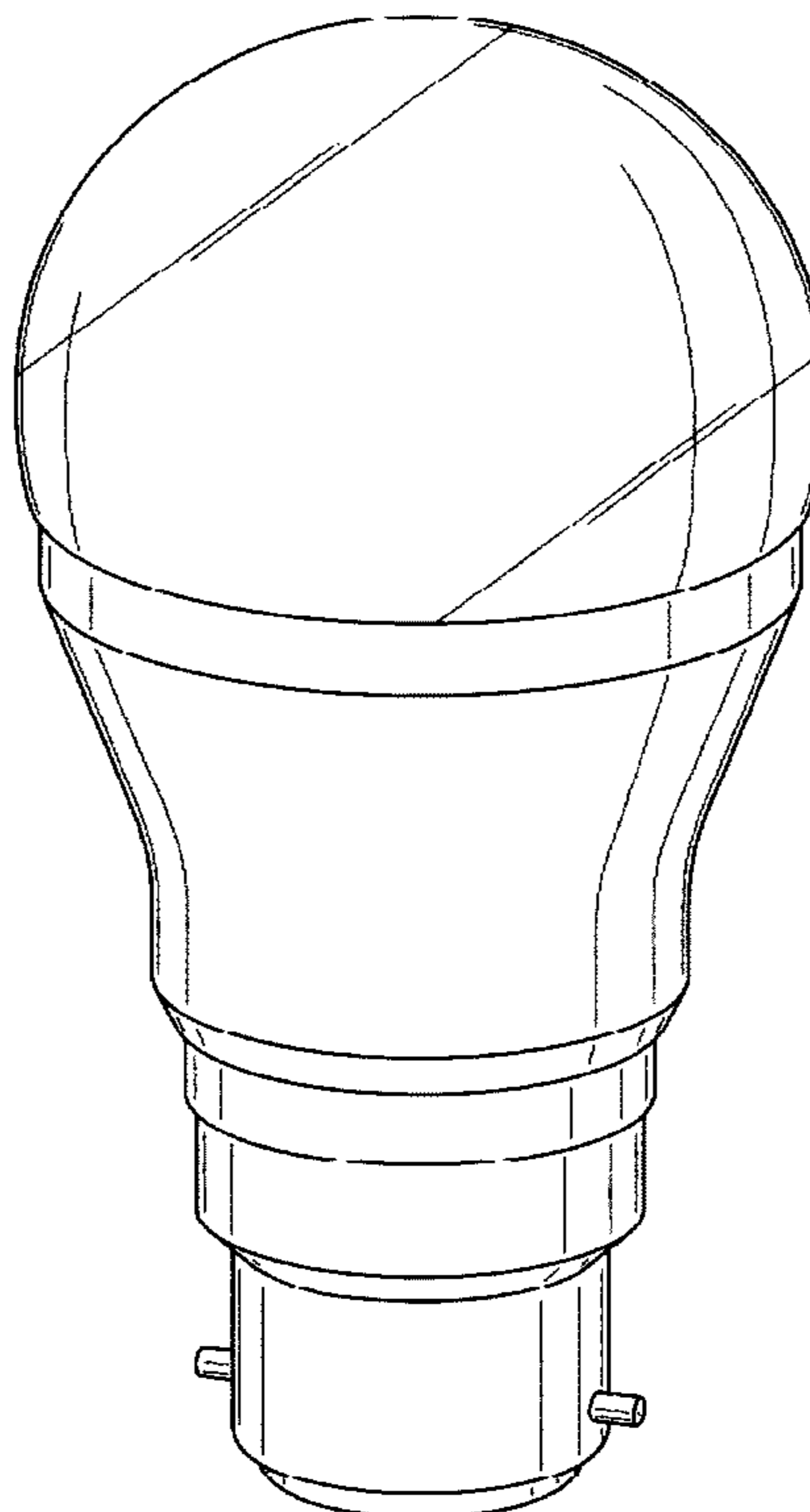
Mar. 23, 2011 (JP) 2011-006509

(51) **LOC (9) Cl.** **26-04**

(52) **U.S. Cl.** **D26/2**

(58) **Field of Classification Search** D26/1-4;
313/313, 315, 316, 317, 318, 493; 315/52,
315/53, 56, 57, 58

See application file for complete search history.



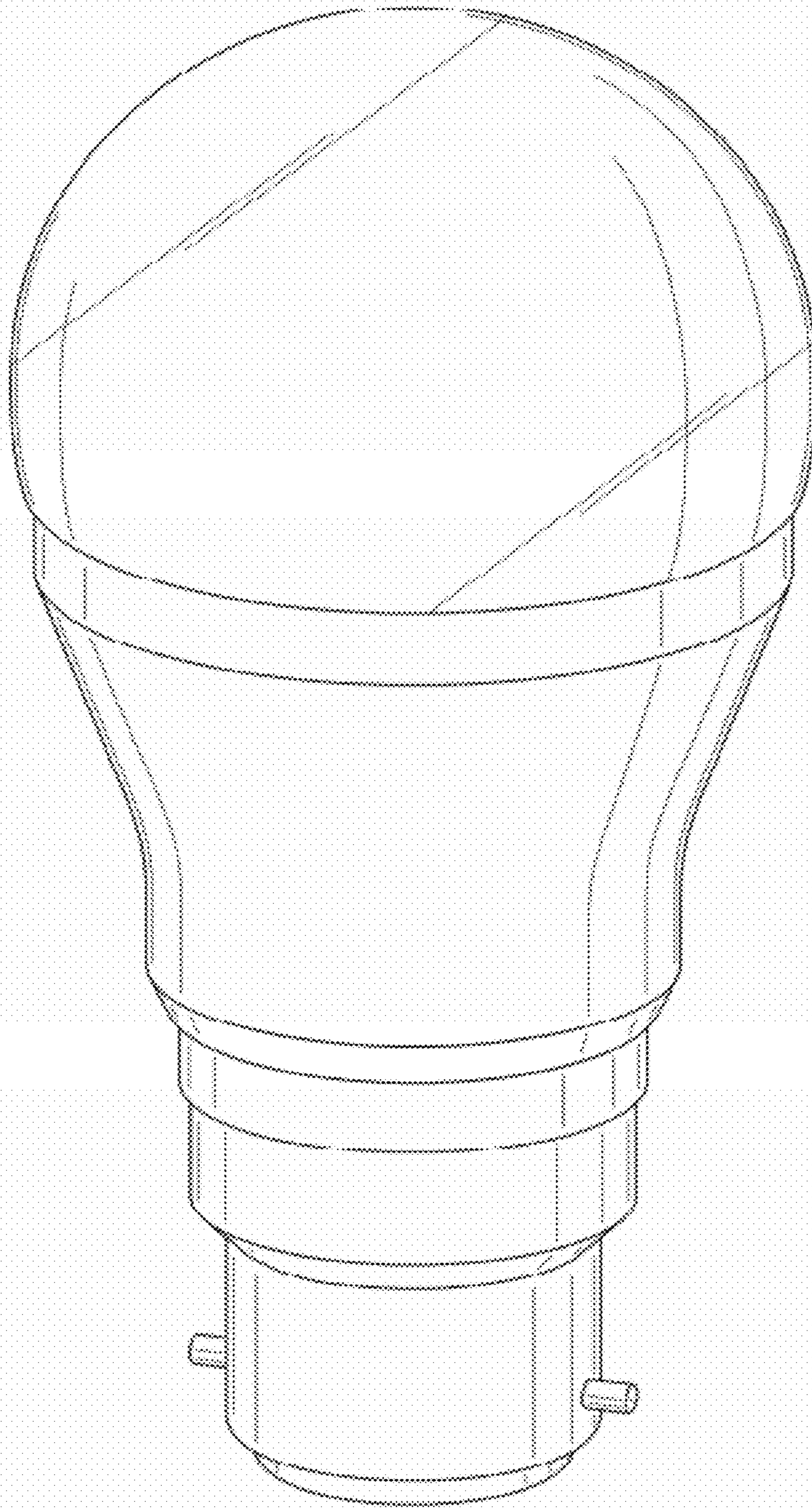


FIG. 1

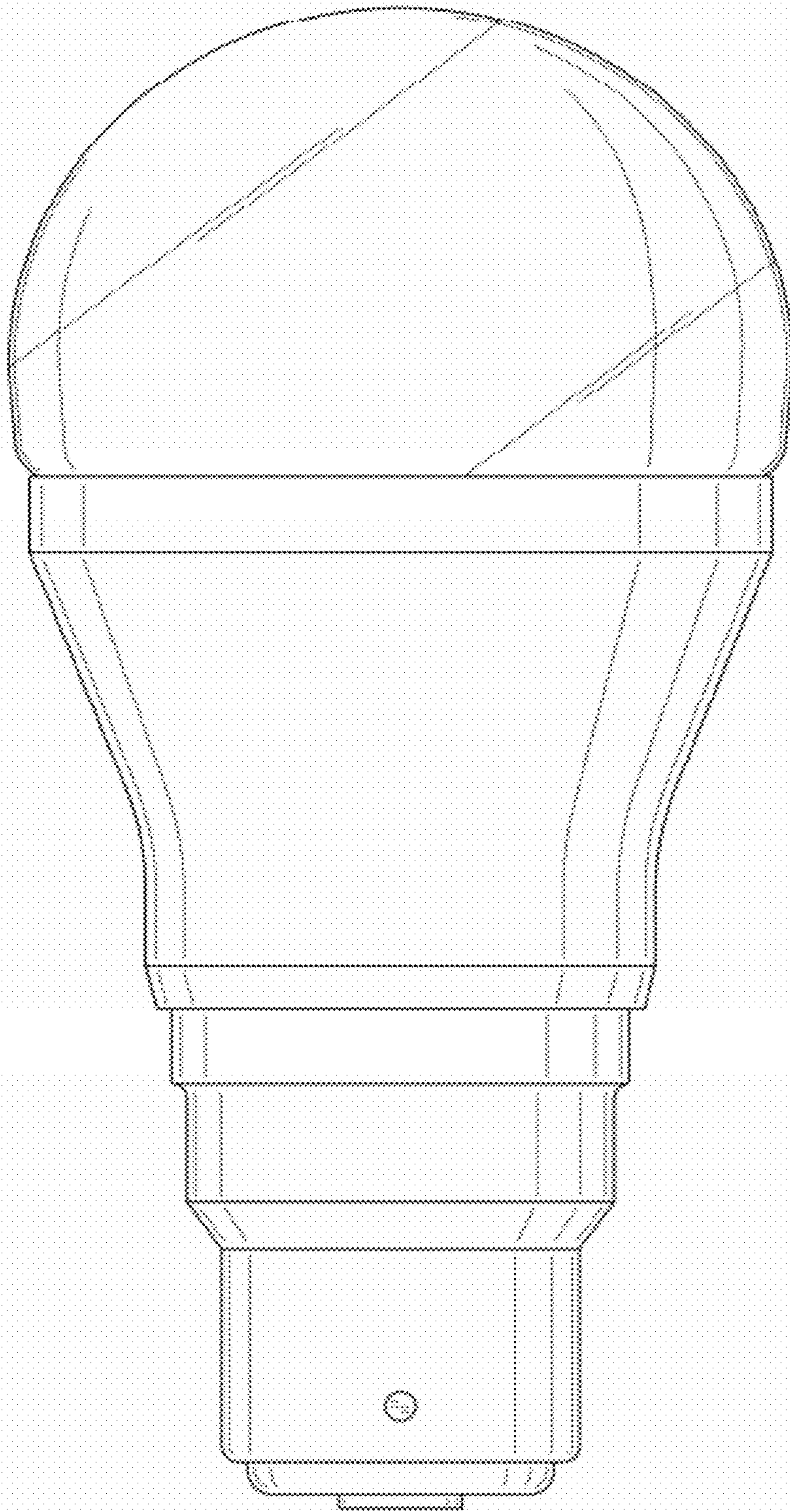


FIG. 2

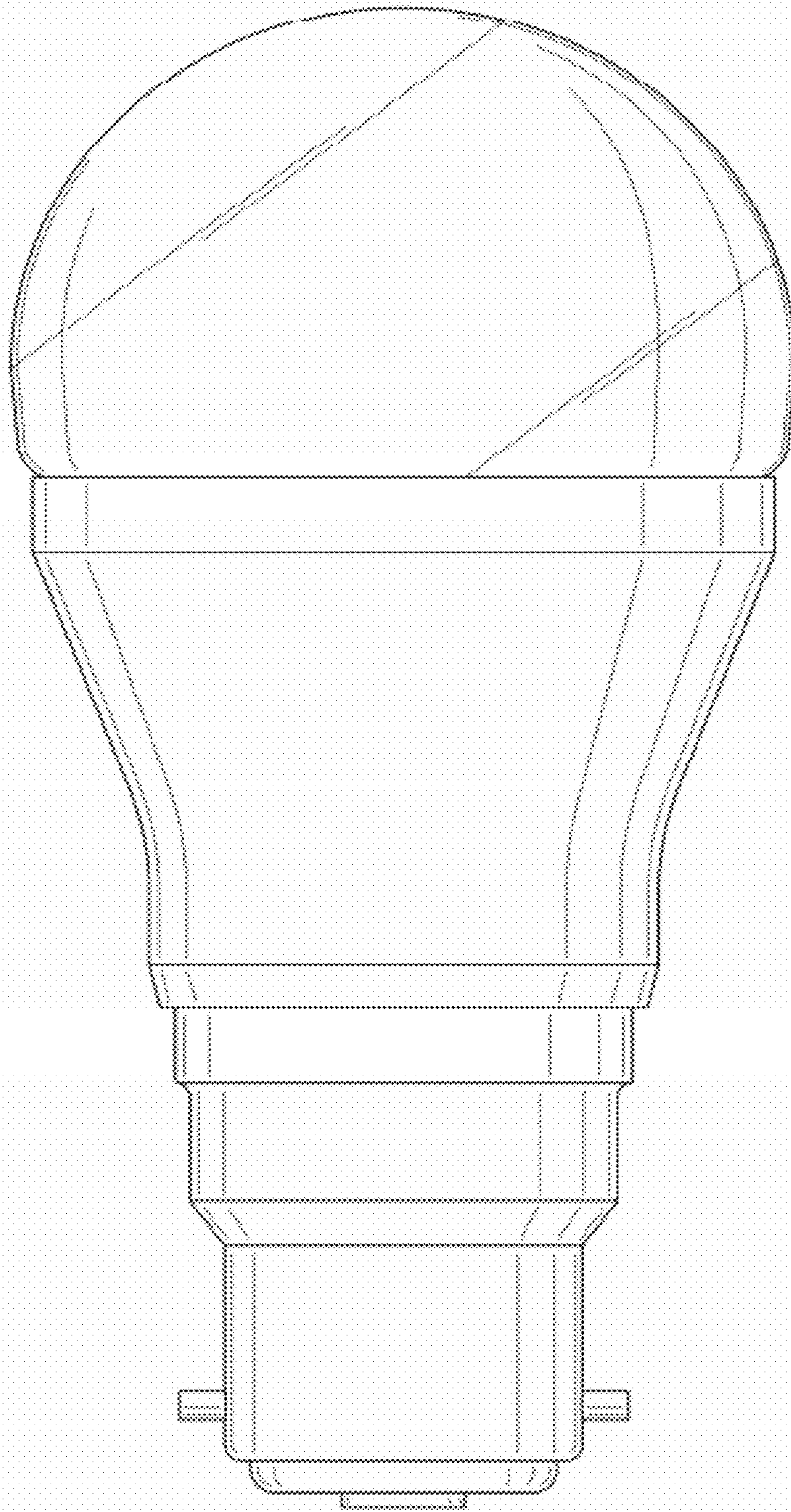


FIG. 3

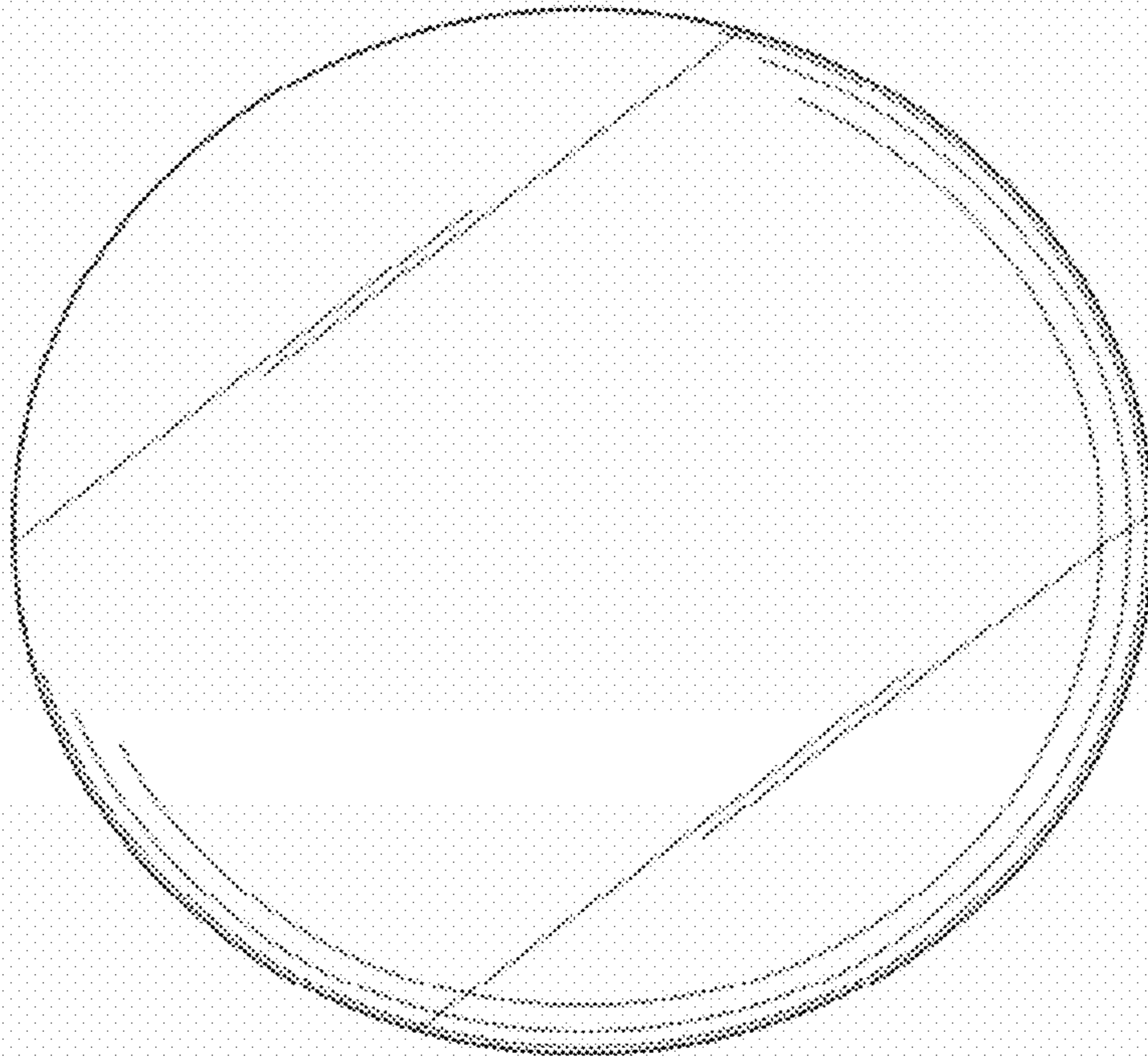


FIG. 4

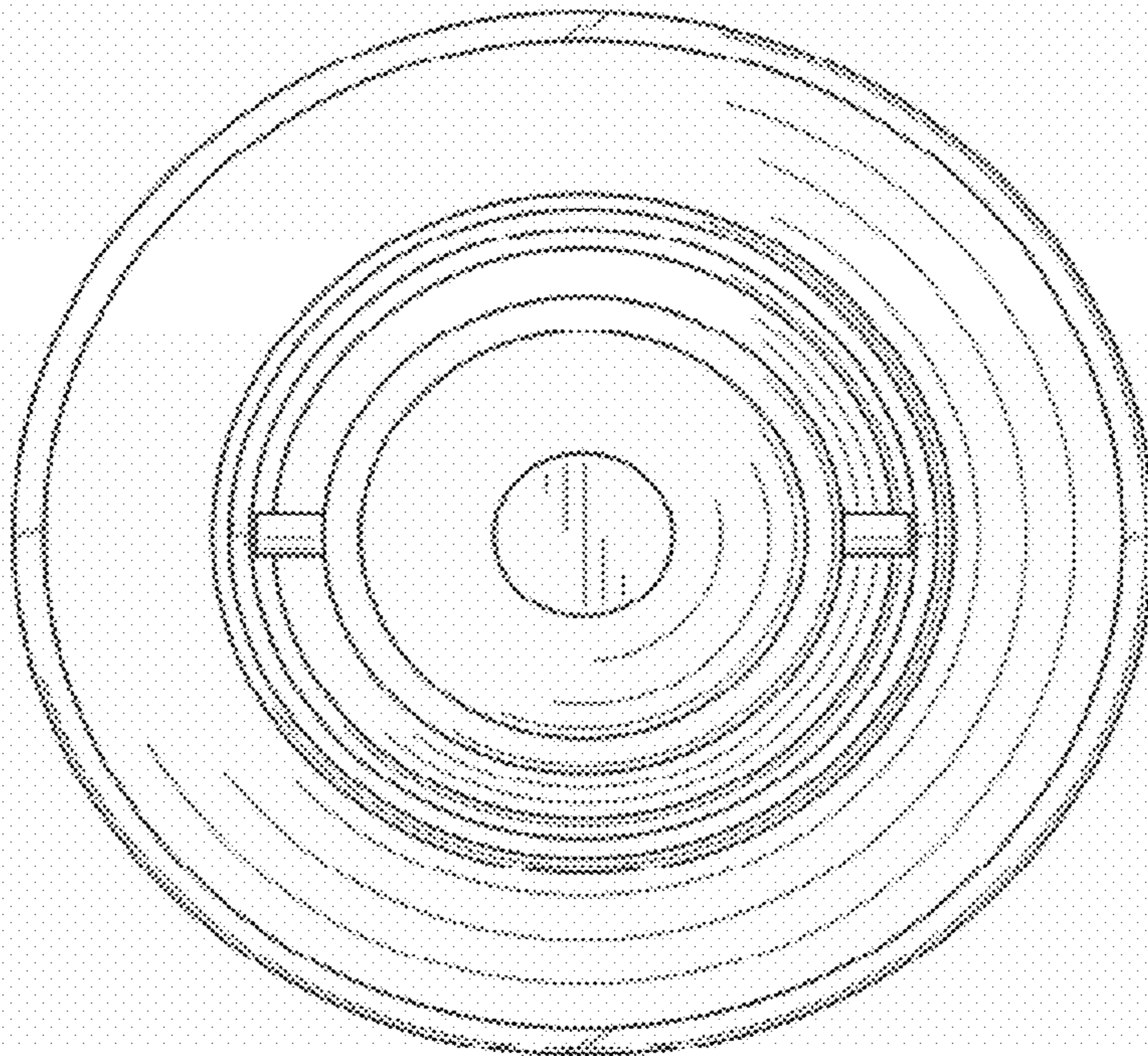


FIG. 5