



US00D659860S

(12) **United States Design Patent**
Yoshinobu et al.

(10) **Patent No.:** **US D659,860 S**
(45) **Date of Patent:** **** May 15, 2012**

(54) **LIGHT EMITTING DIODE LAMP**
(75) Inventors: **Masayuki Yoshinobu**, Kanagawa (JP);
Shigeru Motoki, Tokyo (JP); **Kunihiko Ikada**, Kanagawa (JP); **Junichiro Yamamoto**, Kanagawa (JP); **Hairong Pang**, Hangzhou (CN); **Xinchao Xu**, Hangzhou (CN)

D470,609 S 2/2003 Bobel
D531,741 S * 11/2006 Takahashi D26/2
D538,953 S * 3/2007 Mama D26/2
D548,369 S * 8/2007 Bembridge D26/2
D549,360 S * 8/2007 An D26/2
D550,864 S * 9/2007 Hernandez et al. D26/2
D553,267 S * 10/2007 Yuen D26/2
D602,614 S * 10/2009 Takahashi et al. D26/2
D629,535 S * 12/2010 Lee D26/2

(73) Assignee: **Toshiba Lighting & Technology Corporation**, Kanagawa (JP)

FOREIGN PATENT DOCUMENTS
JP D1390828 6/2010
* cited by examiner

(**) Term: **14 Years**

Primary Examiner — Marcus Jackson
(74) *Attorney, Agent, or Firm* — J.C. Patents

(21) Appl. No.: **29/400,119**

(22) Filed: **Aug. 23, 2011**

(30) **Foreign Application Priority Data**

(57) **CLAIM**
The ornamental design for a light emitting diode lamp, as shown.

Mar. 23, 2011 (JP) 2011-006508

(51) **LOC (9) Cl.** **26-04**

(52) **U.S. Cl.** **D26/2**

(58) **Field of Classification Search** D26/1-4;
313/313, 315, 316, 317, 318, 493; 315/52,
315/53, 56, 57, 58

See application file for complete search history.

DESCRIPTION

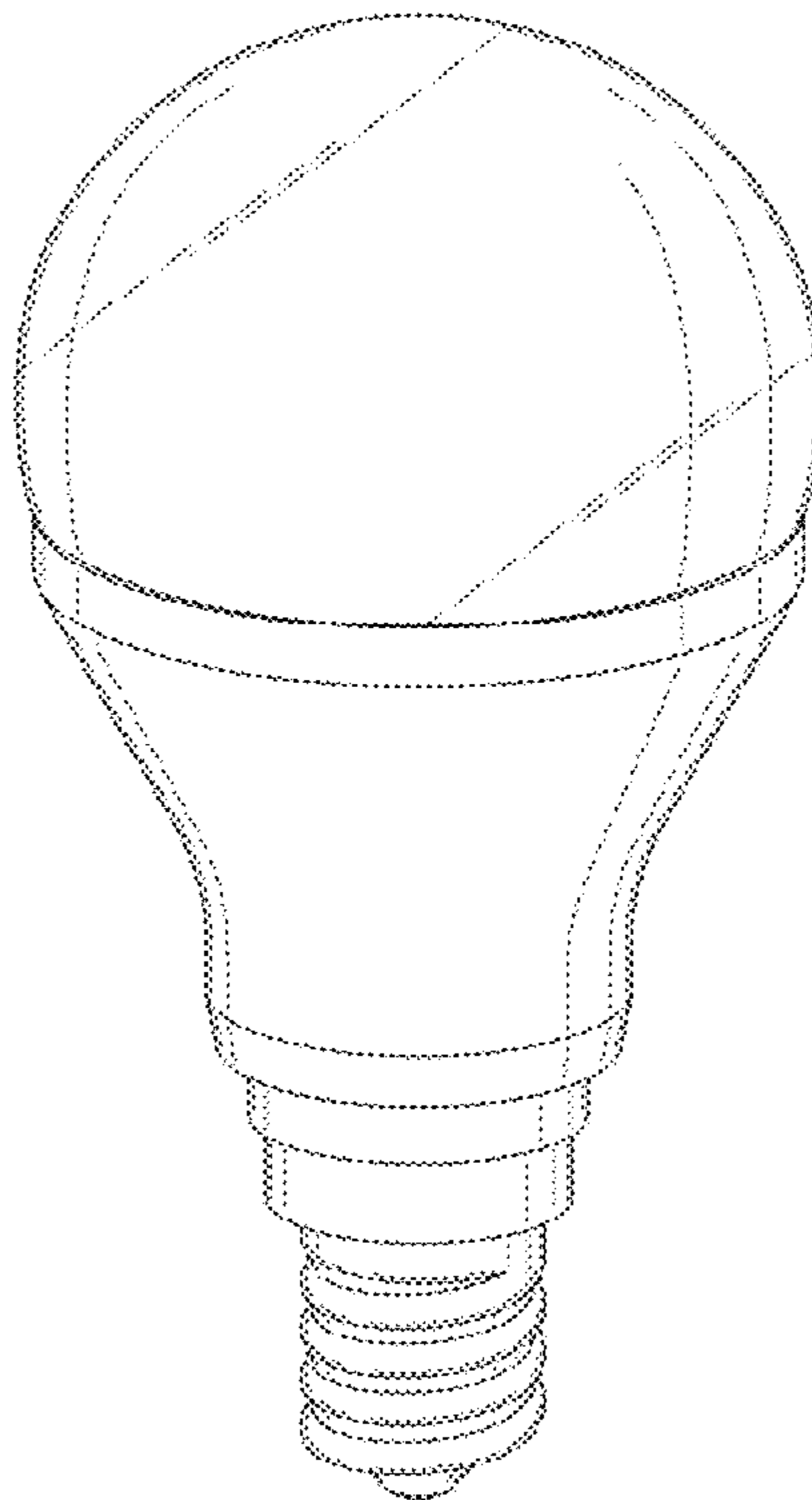
FIG. 1 is a perspective view of a light emitting diode lamp showing our new design;
FIG. 2 is a front view thereof;
FIG. 3 is a rear view thereof;
FIG. 4 is a left side view thereof;
FIG. 5 is a right side view thereof;
FIG. 6 is a top view thereof; and,
FIG. 7 is a bottom view thereof.

(56) **References Cited**

U.S. PATENT DOCUMENTS

D437,645 S 2/2001 Sung et al.
D469,548 S 1/2003 Bobel

1 Claim, 7 Drawing Sheets



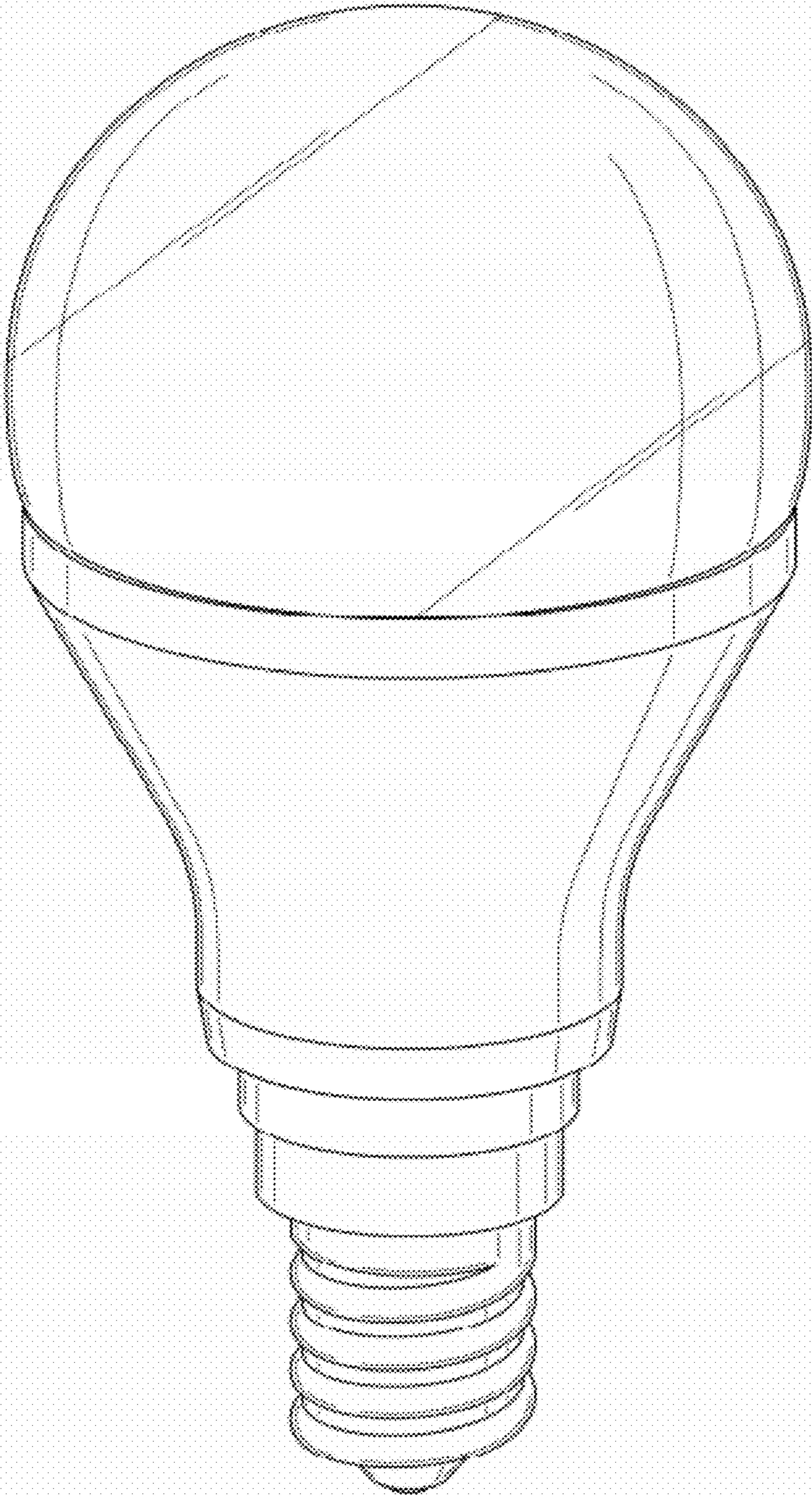


FIG. 1

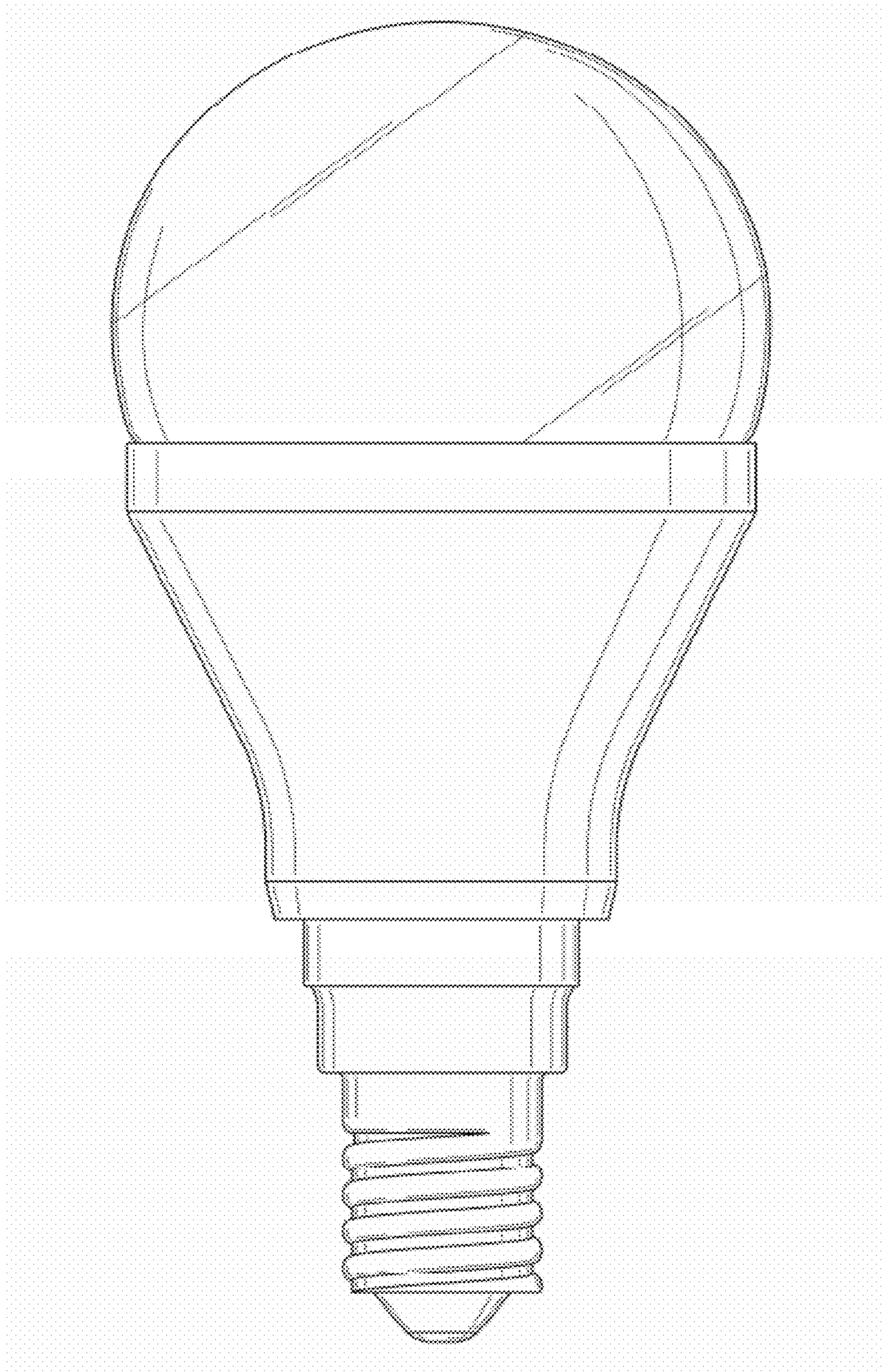


FIG. 2

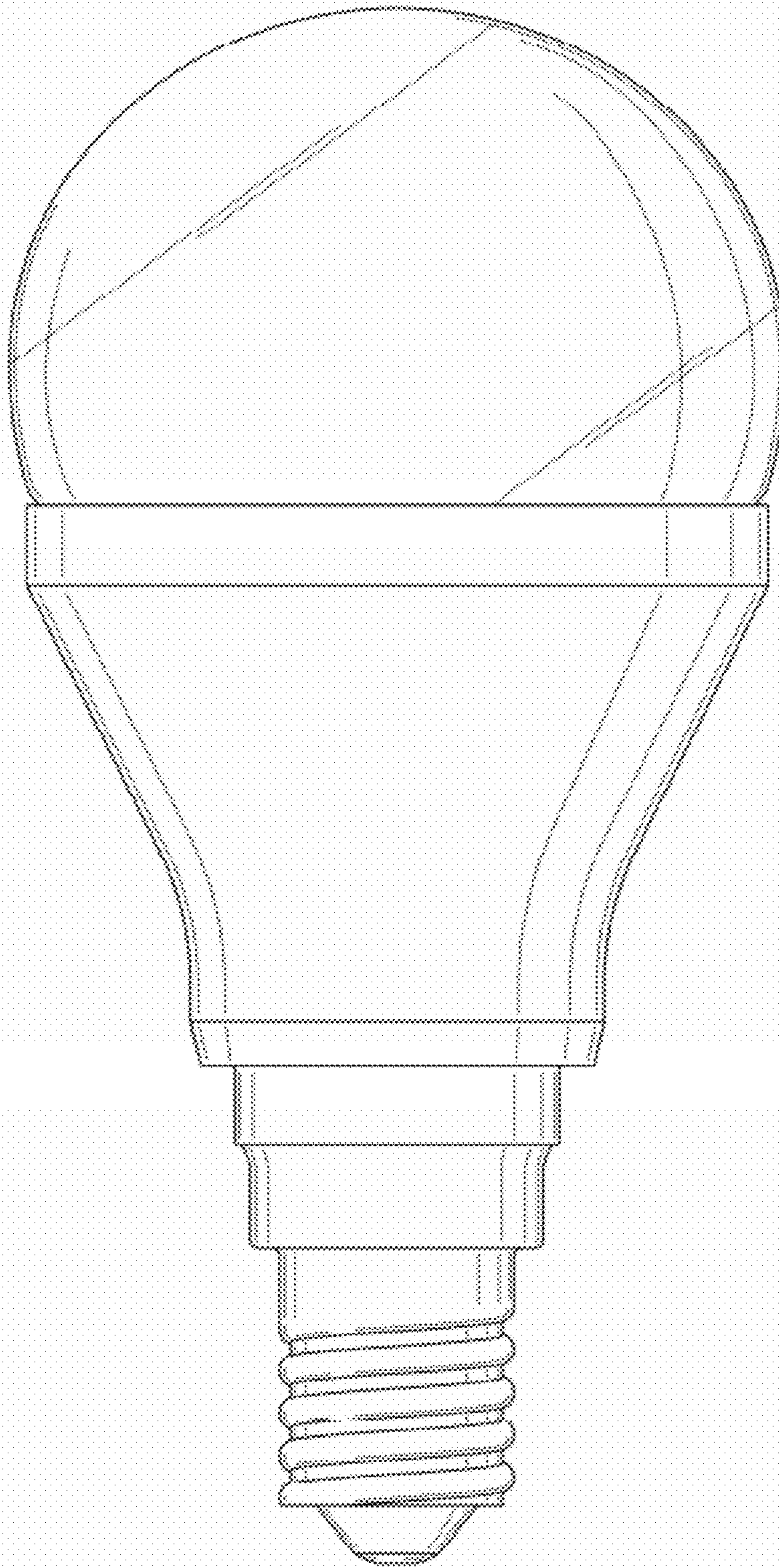


FIG. 3

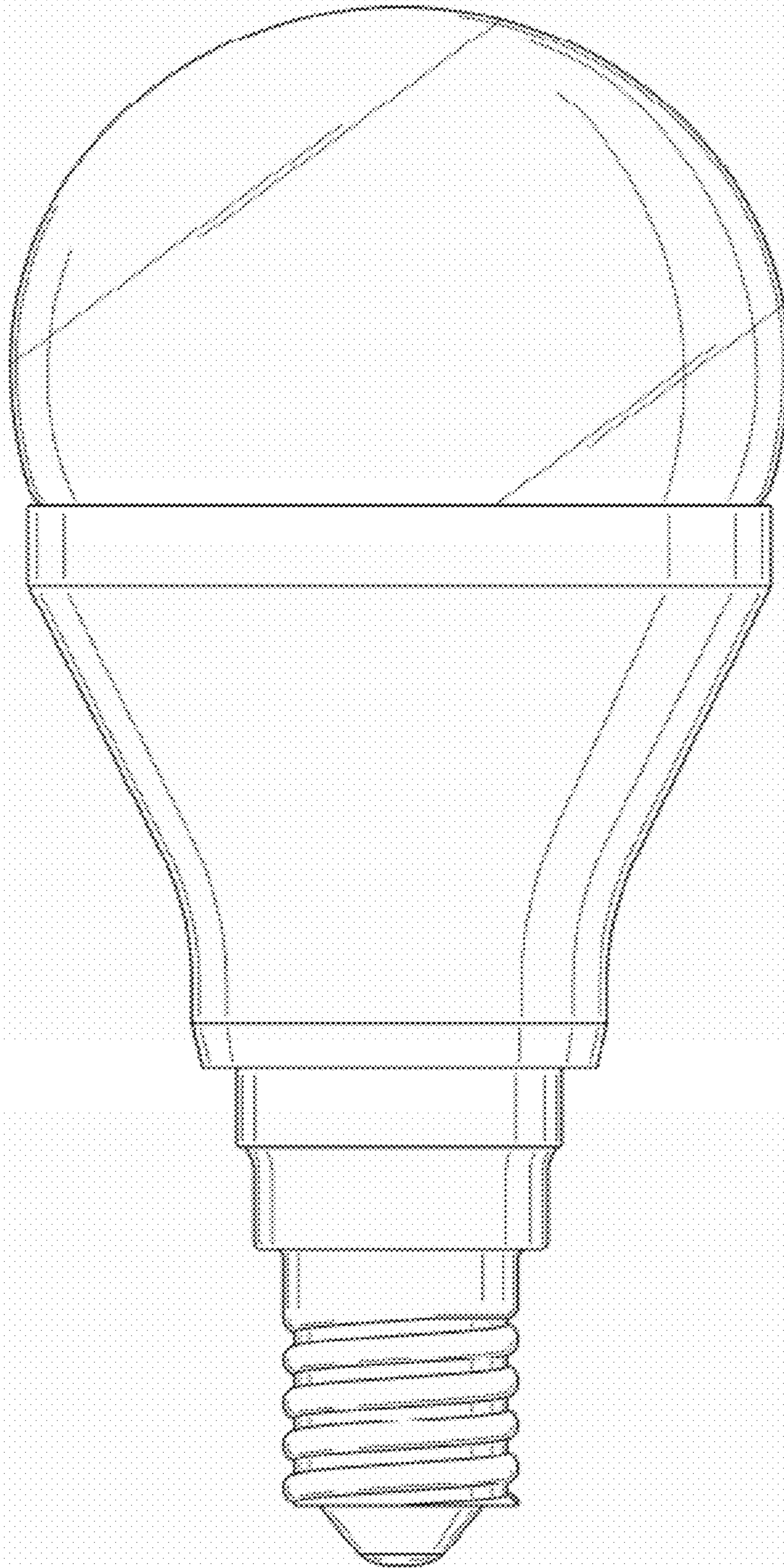


FIG. 4

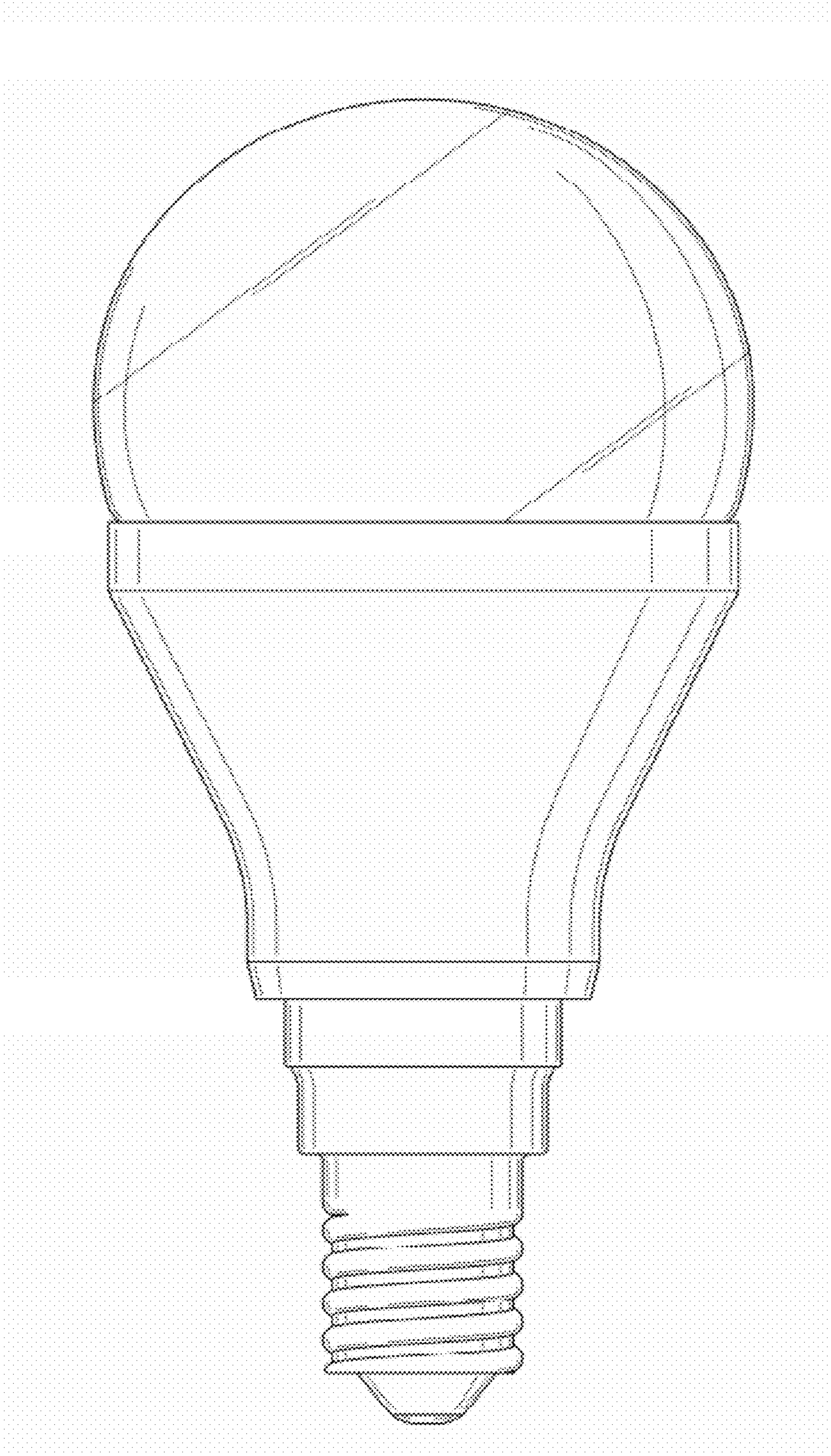


FIG. 5

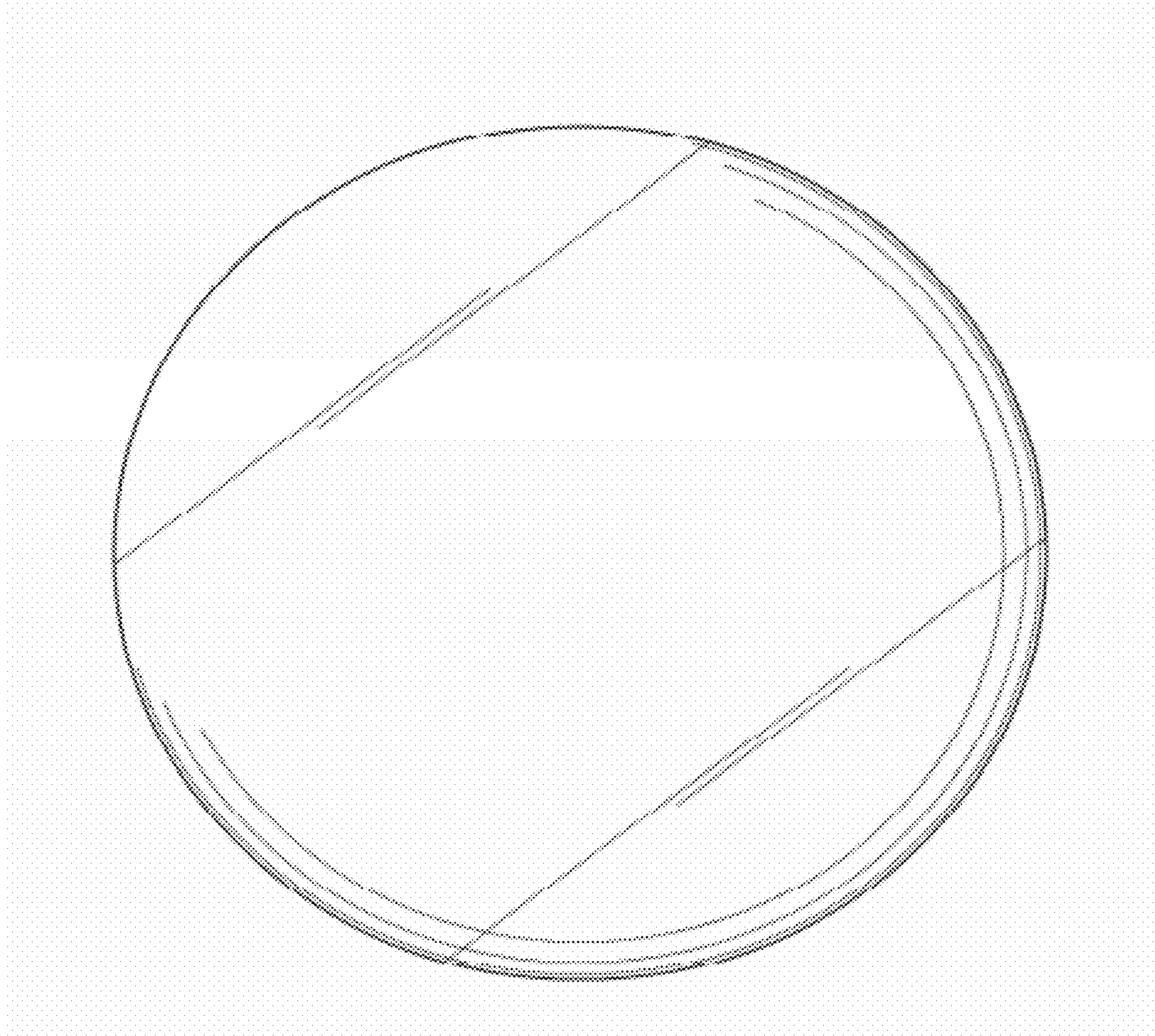


FIG. 6

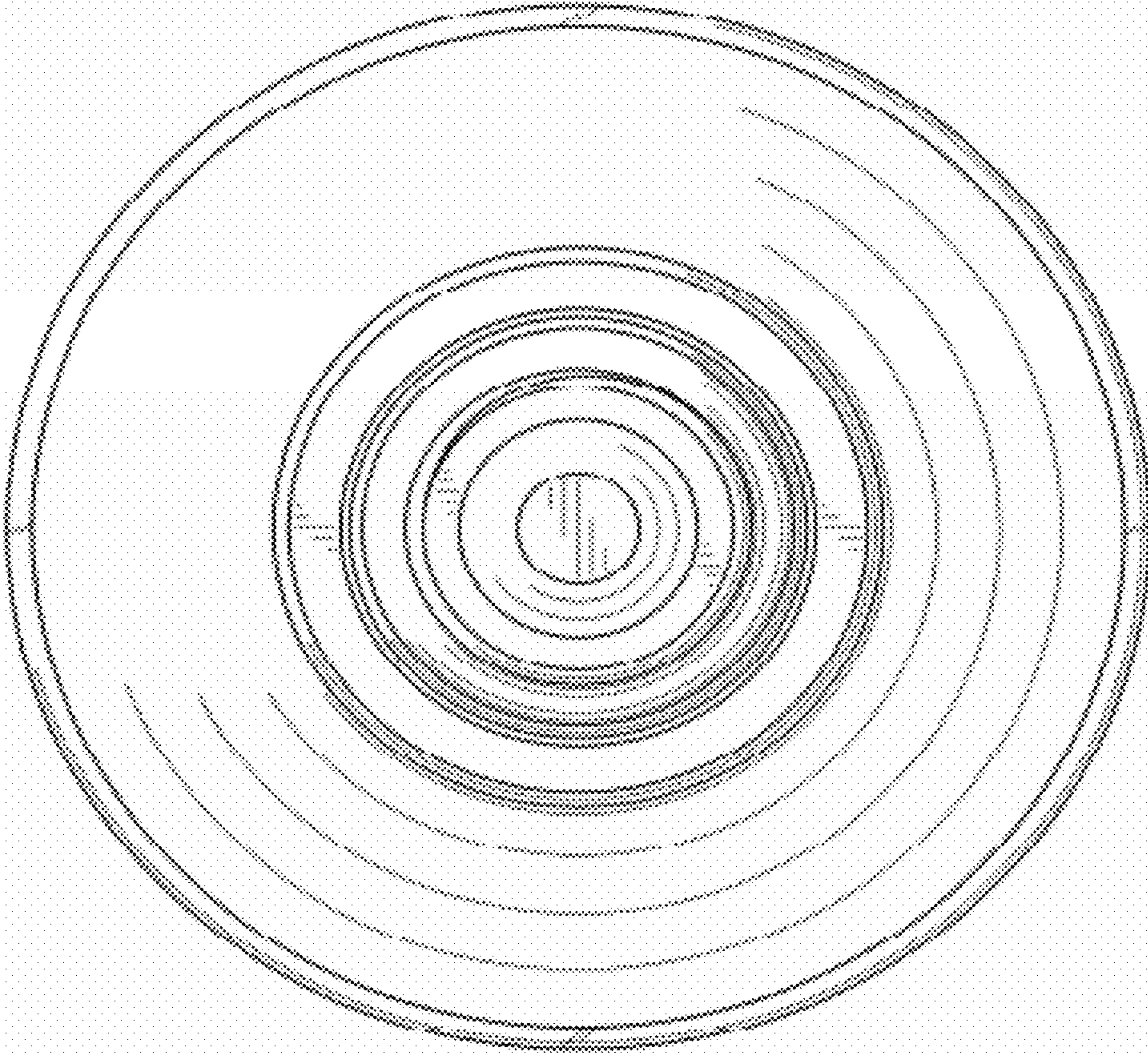


FIG. 7