



US00D659854S

(12) **United States Design Patent**  
**Kligman**

(10) **Patent No.:** **US D659,854 S**

(45) **Date of Patent:** **\*\* May 15, 2012**

(54) **ARCHITECTURAL MOLDING 1**

(75) **Inventor:** **Eitan Kligman**, Herzelia Pituach (IL)

(73) **Assignee:** **E.R. Apex Israel (Marketing) Ltd.**,  
Netanya (IL)

(\*\*) **Term:** **14 Years**

(21) **Appl. No.:** **29/389,877**

(22) **Filed:** **Apr. 18, 2011**

(51) **LOC (9) Cl.** ..... **25-01**

(52) **U.S. Cl.** ..... **D25/136**

(58) **Field of Classification Search** ..... D25/136;  
52/204.53, 242, 255, 290, 716.1, 717.01

See application file for complete search history.

(56) **References Cited**

U.S. PATENT DOCUMENTS

2,583,626	A *	1/1952	Buell	.....	D25/121
D353,209	S *	12/1994	Dallaire et al.	.....	D25/123
6,345,478	B1 *	2/2002	Pang	.....	52/239
D649,691	S *	11/2011	Trzesniowski	.....	D26/138

\* cited by examiner

*Primary Examiner* — Doris Clark

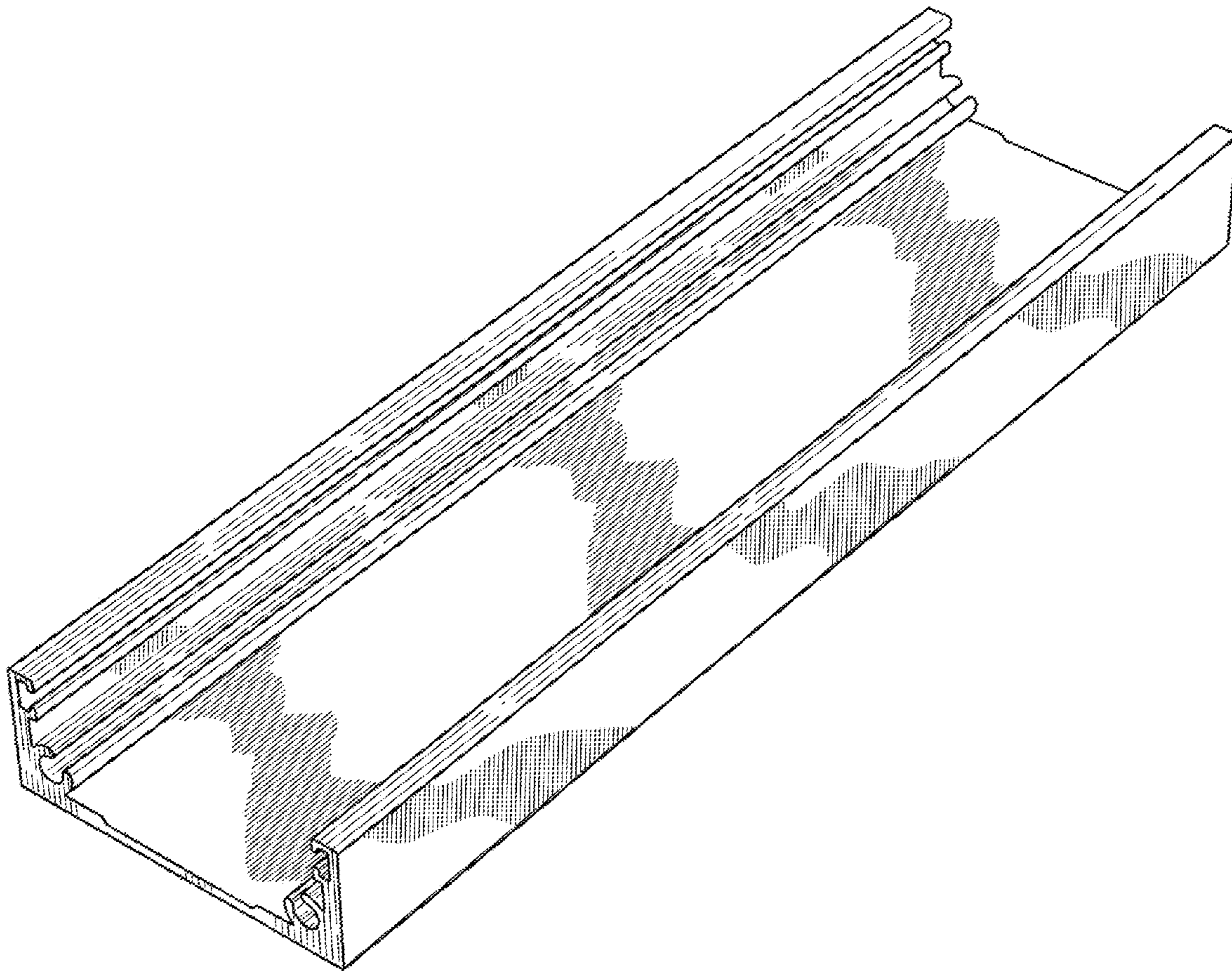
(57) **CLAIM**

The ornamental design for a architectural molding 1, as shown and described.

**DESCRIPTION**

FIG. 1 is a top perspective view of a architectural molding 1 showing my new design;  
FIG. 2 is a bottom perspective view thereof;  
FIG. 3 is a front perspective view thereof;  
FIG. 4 is a side elevation view thereof;  
FIG. 5 is a front elevation view thereof; and,  
FIG. 6 is a top elevation view thereof.

**1 Claim, 4 Drawing Sheets**



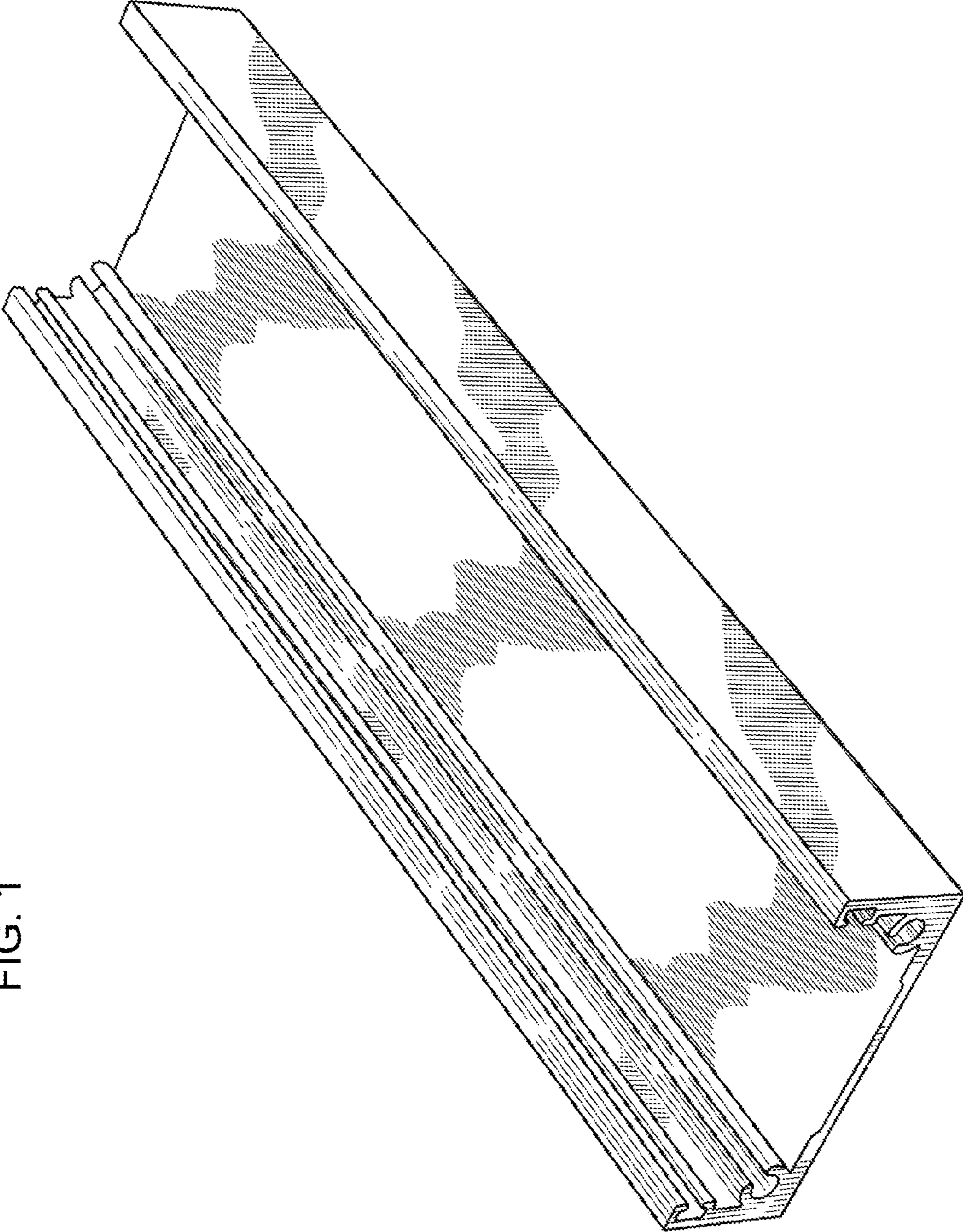


FIG. 1

FIG. 2

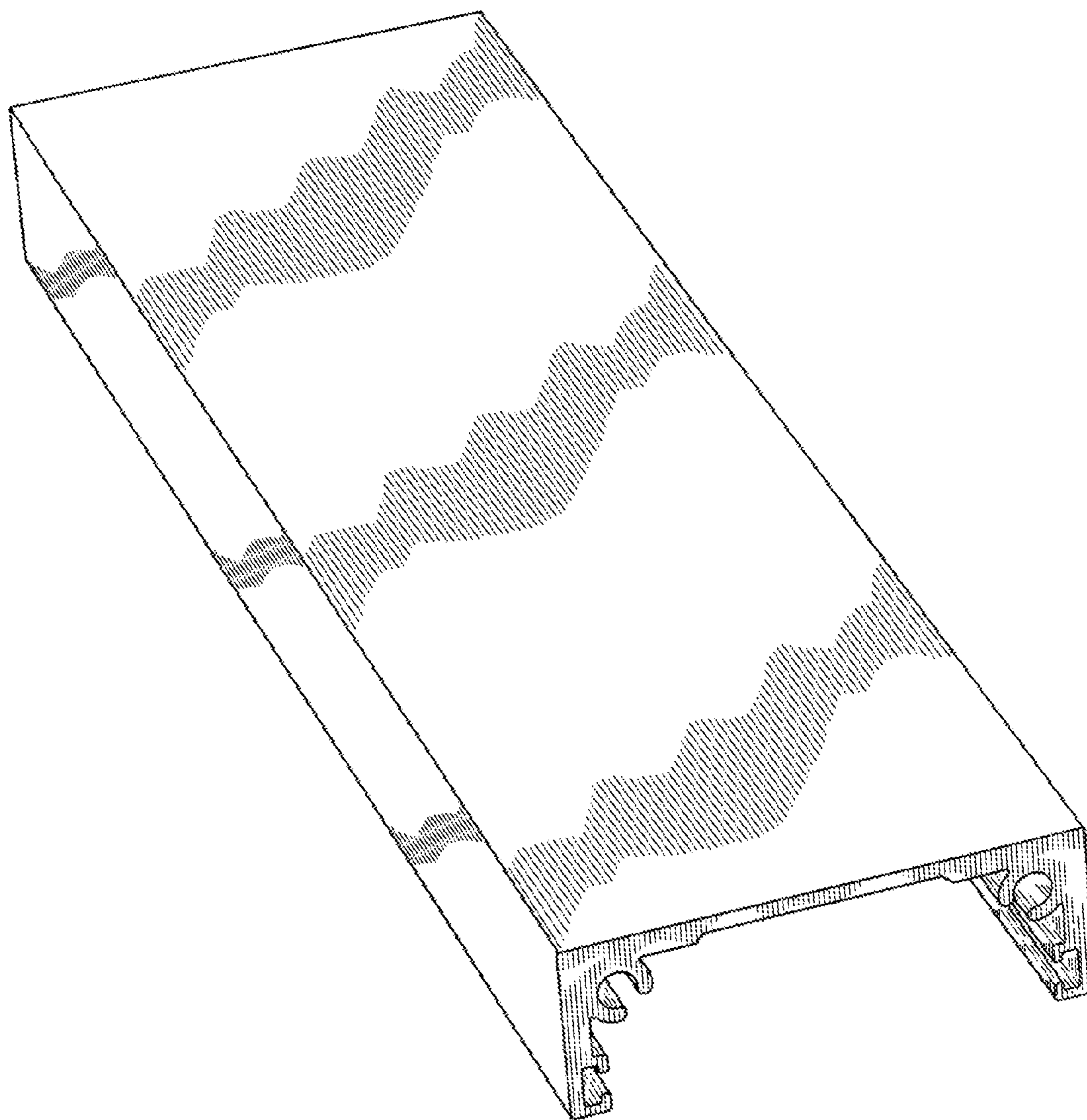


FIG. 3

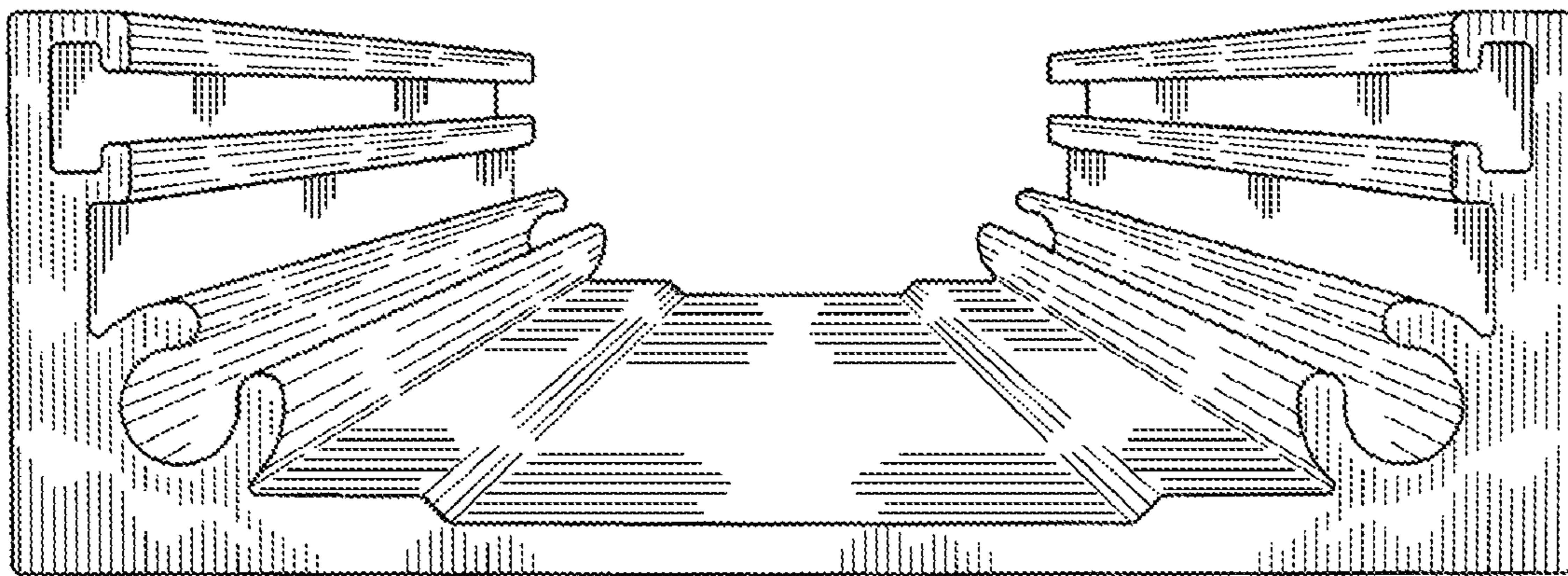


FIG. 4

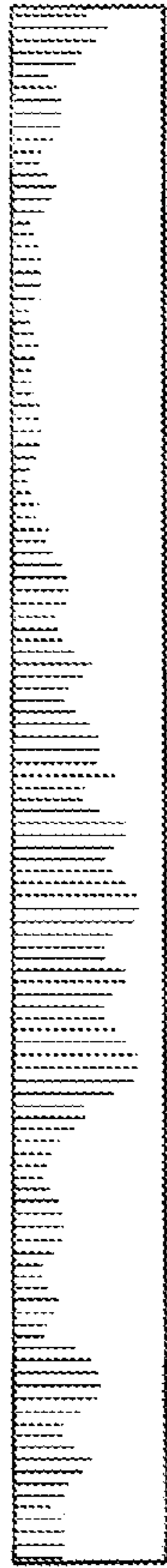


FIG. 5

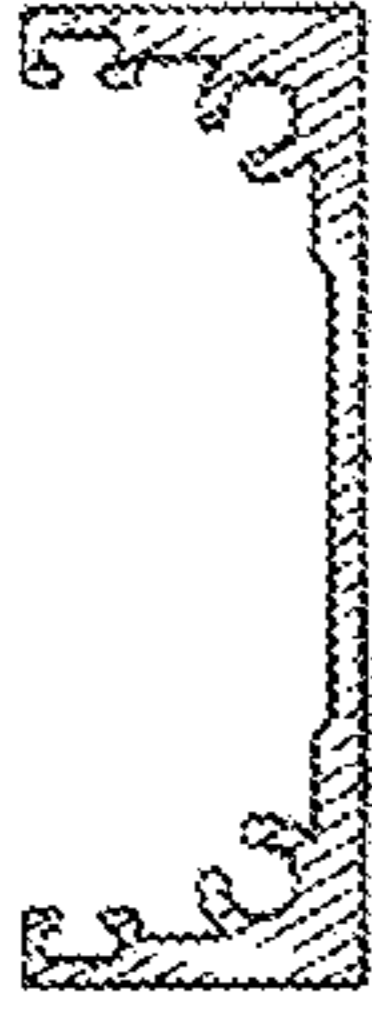


FIG. 6

