



US00D659852S

(12) **United States Design Patent**
Everson

(10) **Patent No.:** **US D659,852 S**

(45) **Date of Patent:** **** May 15, 2012**

(54) **VEHICLE CANOPY**

(76) Inventor: **Deborah Everson**, Brooklyn Park, MN
(US)

(**) Term: **14 Years**

(21) Appl. No.: **29/406,376**

(22) Filed: **Nov. 14, 2011**

(51) **LOC (9) Cl.** **25-03**

(52) **U.S. Cl.** **D25/18**

(58) **Field of Classification Search** D25/1-33,
D25/56-57; 52/63, 74, 73, 66, 75, 78, 89
See application file for complete search history.

D421,132 S * 2/2000 Chipman et al. D25/56
D464,437 S * 10/2002 Ueno et al. D25/56
6,591,556 B2 * 7/2003 Bertheaume et al. 52/74
D611,404 S * 3/2010 Mackler D13/102
D624,665 S * 9/2010 Rowlinson D25/56
D643,937 S * 8/2011 Boesch D25/56
D647,216 S * 10/2011 Richardson D25/56

* cited by examiner

Primary Examiner — T. Chase Nelson

Assistant Examiner — Eric Goodman

(74) *Attorney, Agent, or Firm* — Haugen Law Firm PLLP

(57) **CLAIM**

The ornamental design for a vehicle canopy, as shown and described.

(56) **References Cited**

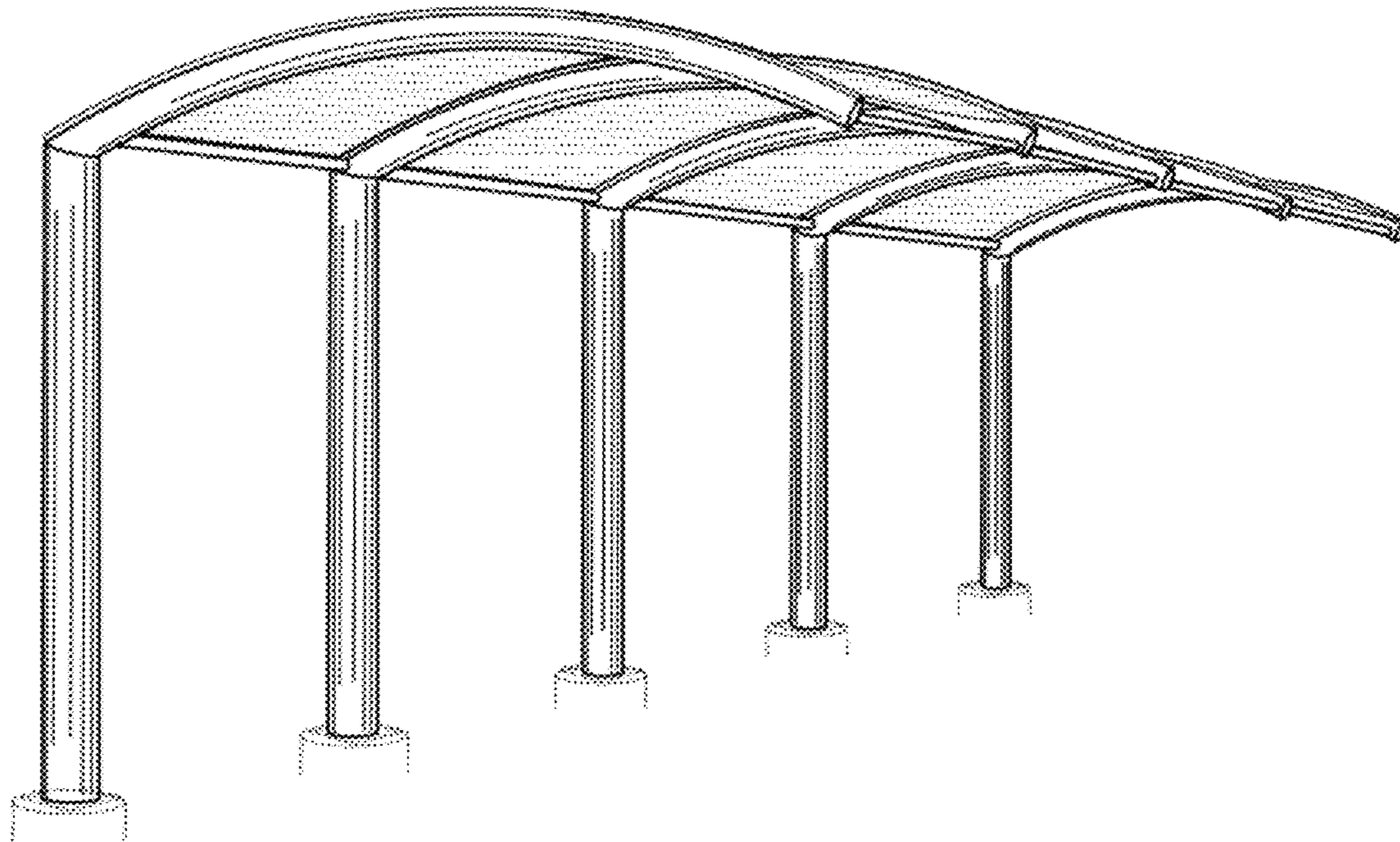
U.S. PATENT DOCUMENTS

D178,594 S * 8/1956 Clement D25/57
D183,004 S * 6/1958 Kramer D25/57
D192,212 S * 2/1962 Schlager et al. D25/56
D192,464 S * 3/1962 Selby D25/56
D193,471 S * 8/1962 Baker D25/56
D196,566 S * 10/1963 Christ-Janer D25/56
D196,637 S * 10/1963 Christ-Janer D25/1
D254,448 S * 3/1980 Dattner D25/18
D304,240 S * 10/1989 Wright D25/1
D363,790 S * 10/1995 Boyd D25/56
D412,993 S * 8/1999 Chipman et al. D25/56
D415,573 S * 10/1999 Chipman et al. D25/56

DESCRIPTION

FIG. 1 is a perspective view of the design;
FIG. 2 is a first side elevational view of the design;
FIG. 3 is second side elevational view of the design;
FIG. 4 is a front end elevational view of the design;
FIG. 5 is a rear end elevational view of the design;
FIG. 6 is a top plan view of the design; and,
FIG. 7 is a bottom plan view of the design.
The broken line showing is for illustrative purposes only and forms no part of the claimed design.

1 Claim, 6 Drawing Sheets



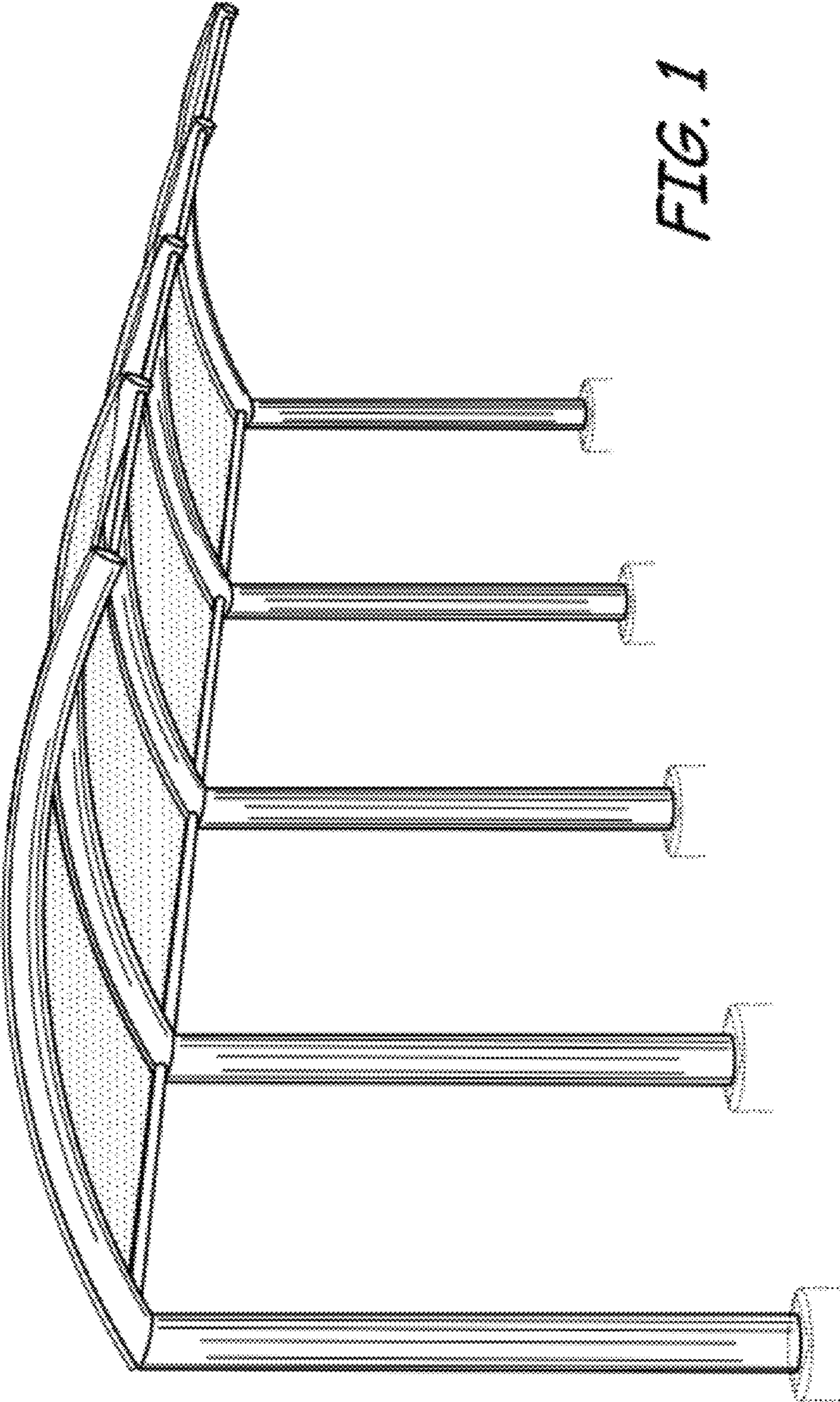


FIG. 1

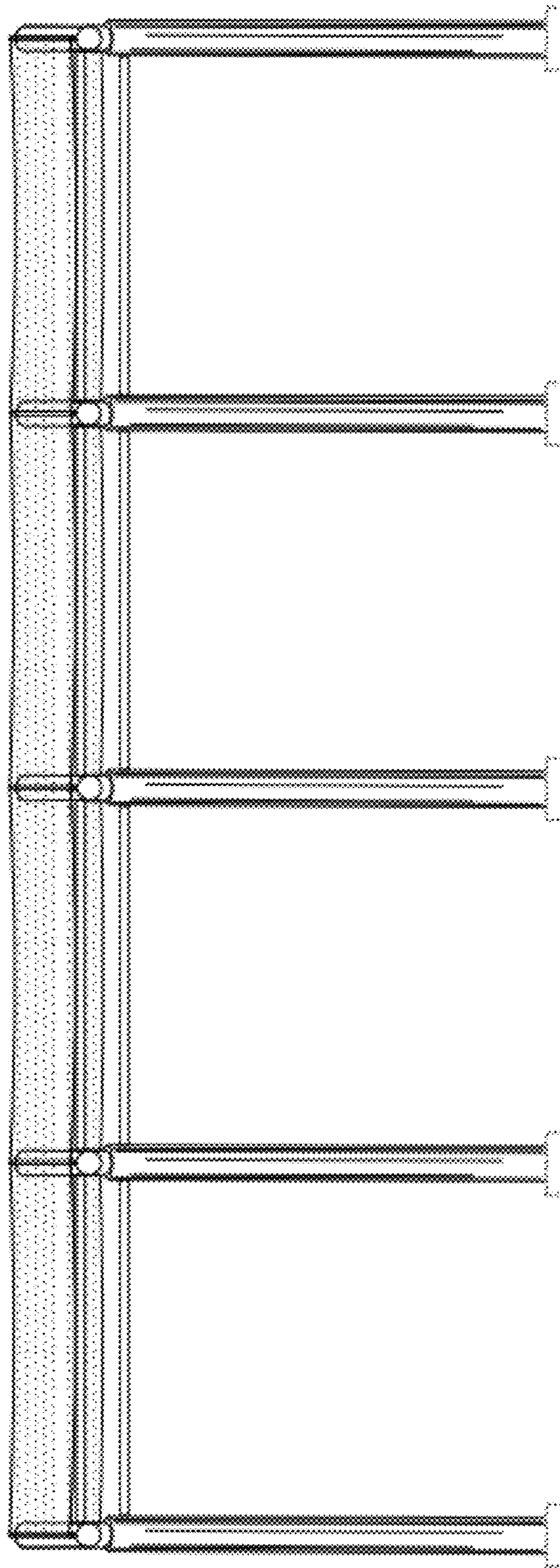


FIG. 2

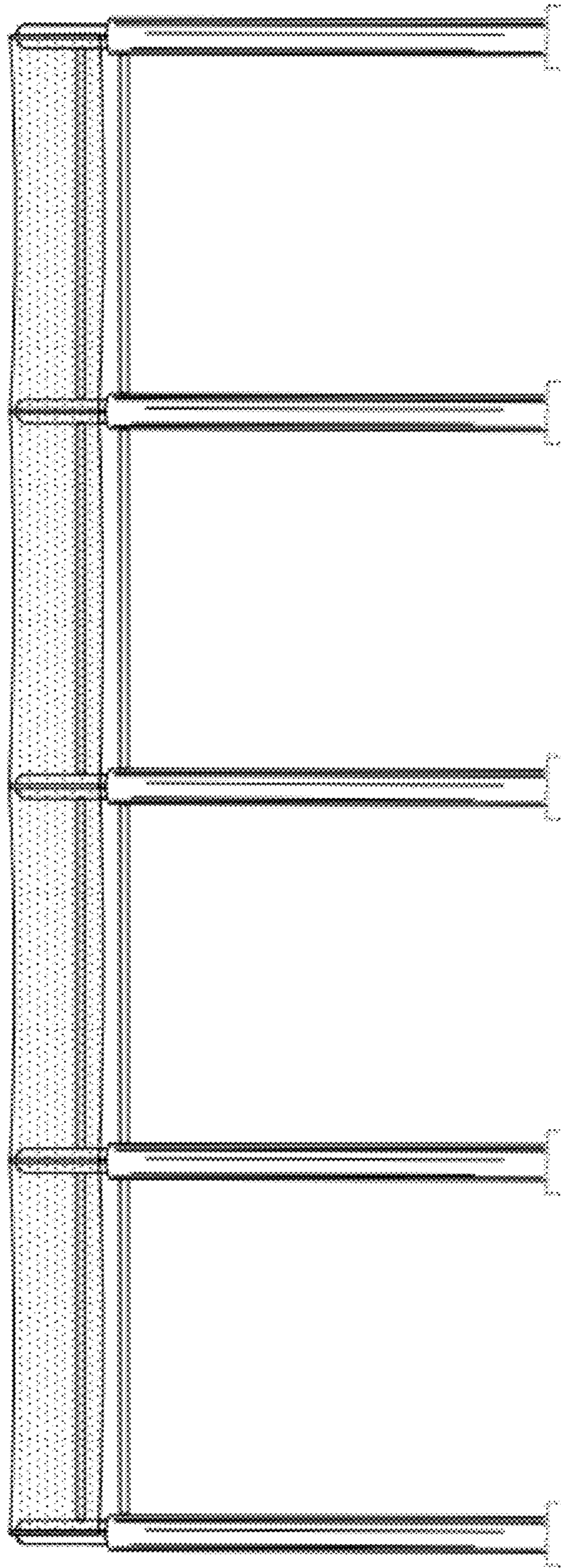


FIG. 3

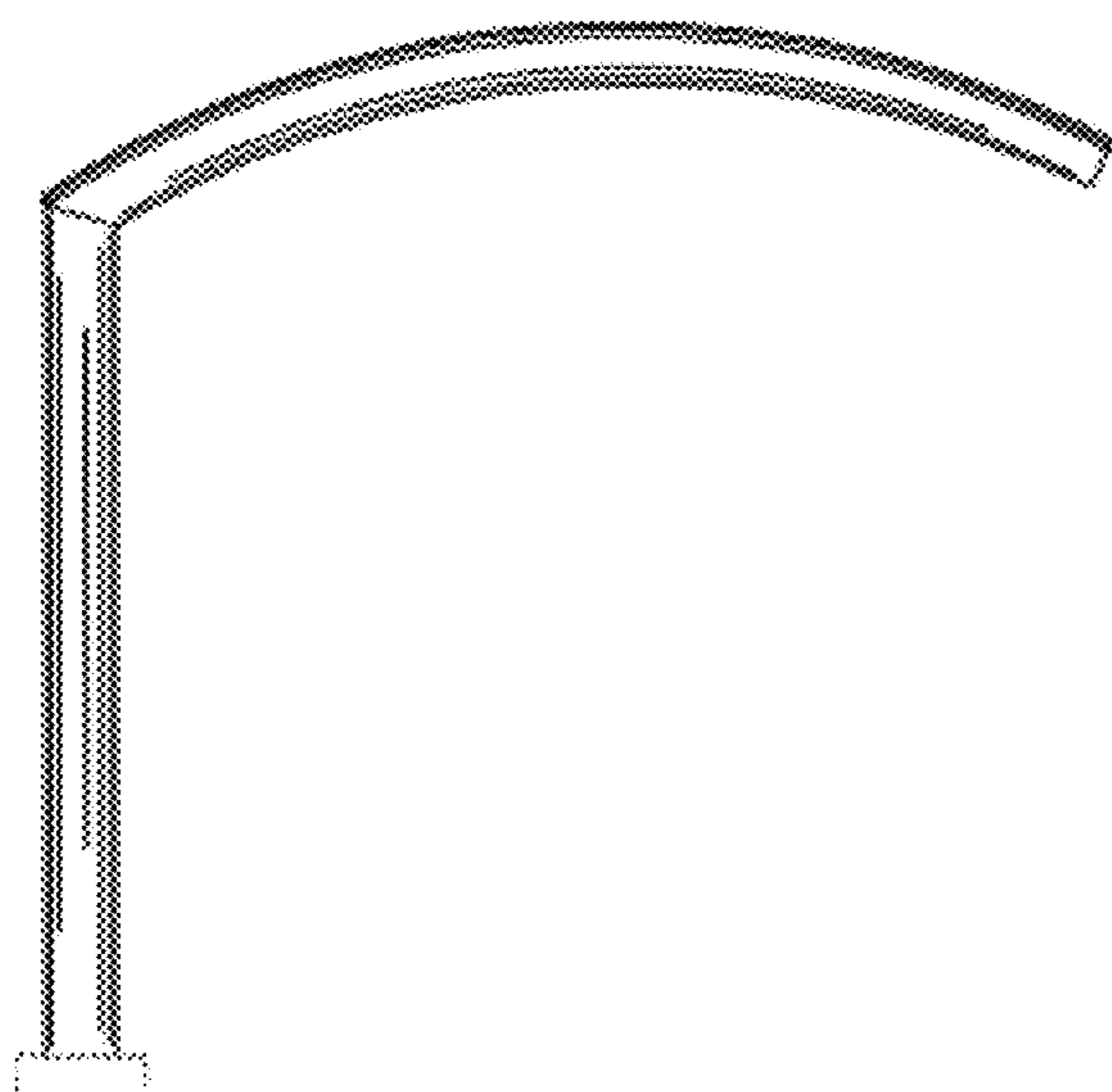


FIG. 4

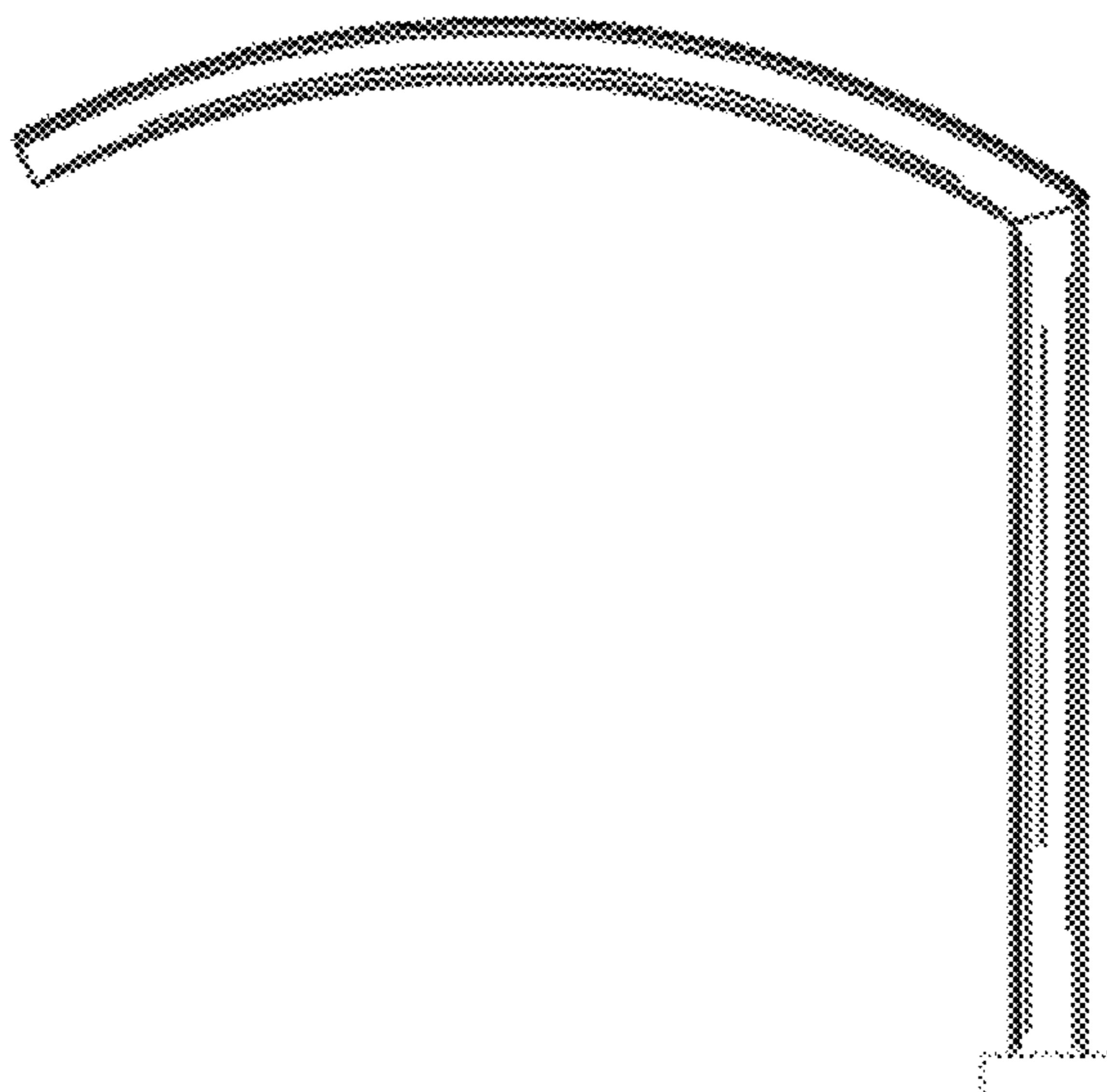


FIG. 5

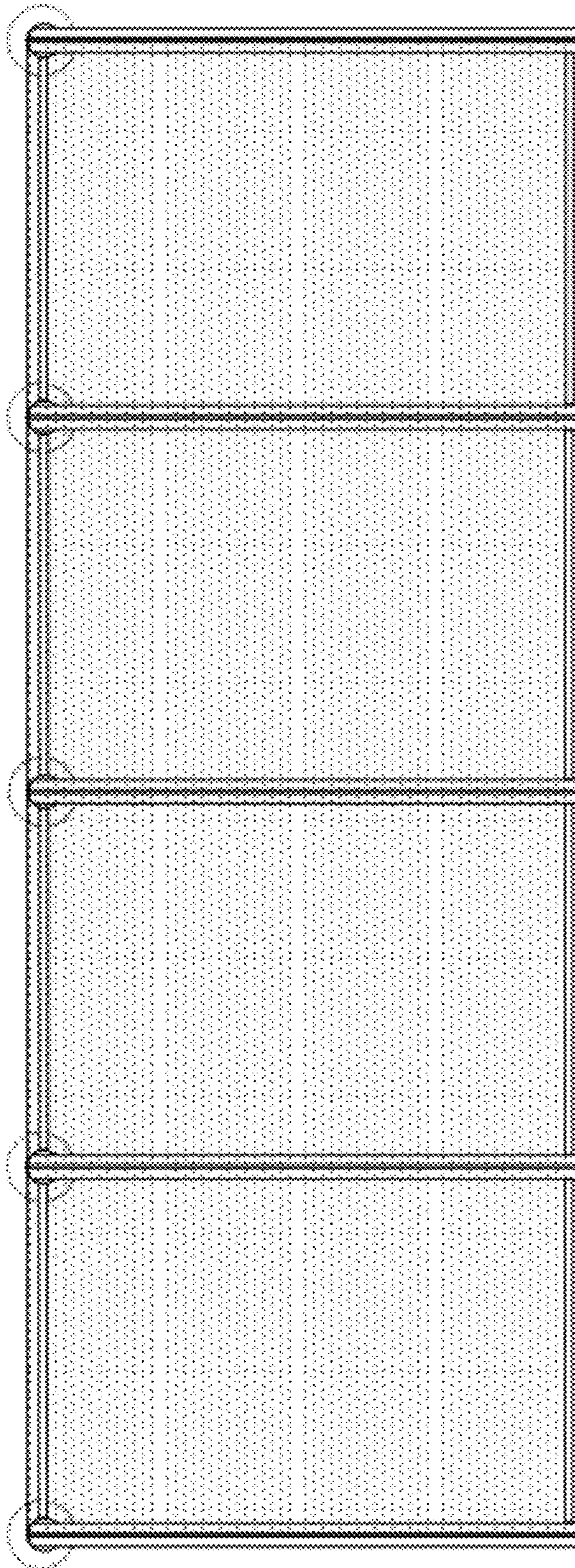


FIG. 6

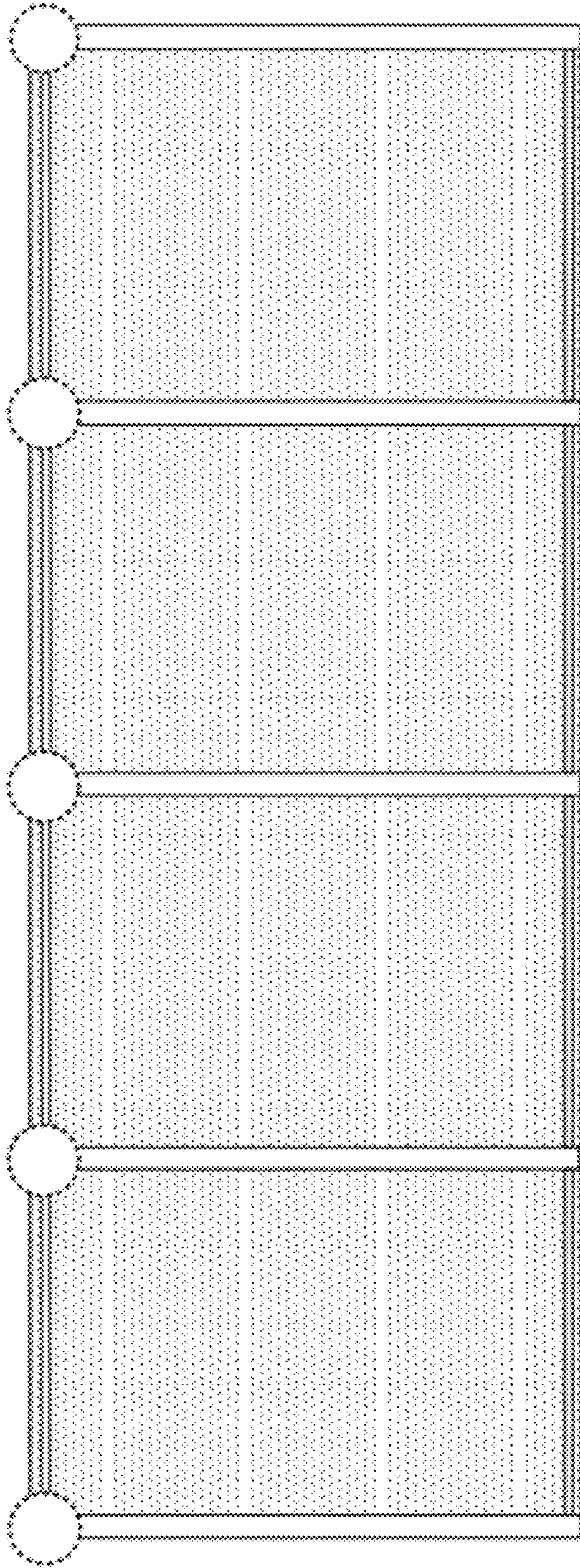


FIG. 7