



US00D659851S

(12) **United States Design Patent**
Vanleysen

(10) **Patent No.:** **US D659,851 S**

(45) **Date of Patent:** **** May 15, 2012**

(54) **BUILDING UNITS**

(75) **Inventor:** **Juul Renee J. Vanleysen**, Hasselt (BE)

(73) **Assignee:** **Holistic Architecture 50 5 Burgerlijke Architectenvennootschap**, Hasselt (BE)

(**) **Term:** **14 Years**

(21) **Appl. No.:** **29/385,193**

(22) **Filed:** **Feb. 10, 2011**

(30) **Foreign Application Priority Data**

Aug. 12, 2010 (EM) 001742974

(51) **LOC (9) Cl.** **25-01**

(52) **U.S. Cl.** **D25/18**

(58) **Field of Classification Search** D25/1-35;
52/2.17, 2.25, 86, 64, 66, 67, 71, 72, 80,
52/82; 174/379

See application file for complete search history.

(56) **References Cited**

U.S. PATENT DOCUMENTS

3,059,656 A * 10/1962 Seubert et al. 52/2.19
D220,426 S * 4/1971 Samuelson D25/21
D222,038 S * 9/1971 Hughes D25/18

3,730,796 A * 5/1973 Richards et al. 156/173
D235,203 S * 5/1975 Waldorf D25/24
4,653,238 A * 3/1987 Berman 52/79.4
D325,979 S * 5/1992 Mahler D25/33
5,140,768 A * 8/1992 Forbes 47/17
D334,066 S * 3/1993 McGrath D25/1

* cited by examiner

Primary Examiner — T. Chase Nelson

Assistant Examiner — Eric Goodman

(74) *Attorney, Agent, or Firm* — Bacon & Thomas, PLLC

(57) **CLAIM**

The ornamental design for building units, as shown and described.

DESCRIPTION

FIG. 1 is an upper left perspective view of my design for building units;

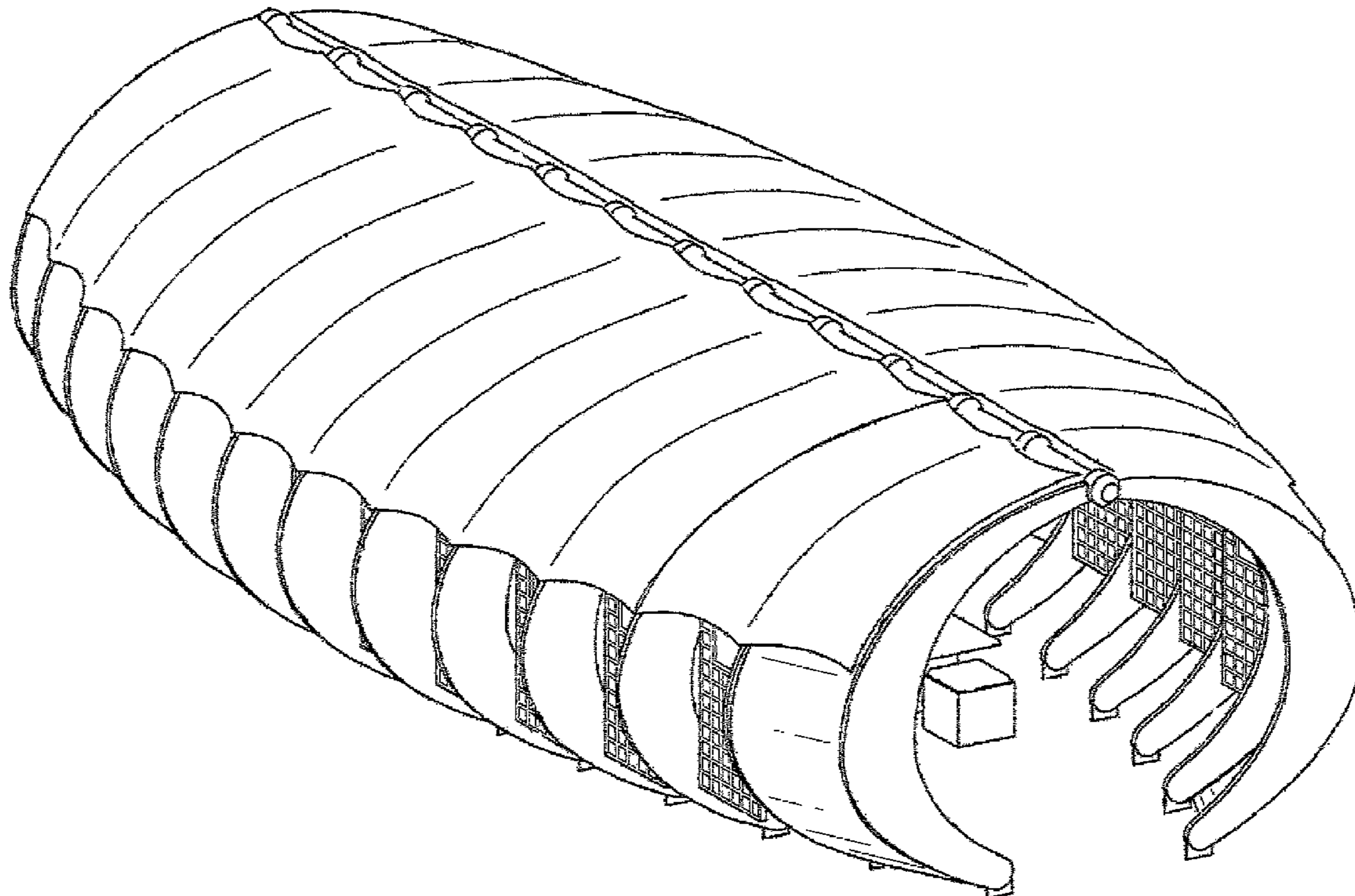
FIG. 2 is a front elevation view thereof;

FIG. 3 is an interior view along section line 3-3 in FIG. 5, the interior view to the left side being a mirror image thereof, and the broken lines portion being disclaimed;

FIG. 4 is a right side view thereof, the left side view being a mirror image thereof; and,

FIG. 5 is a top plan view thereof.

1 Claim, 5 Drawing Sheets



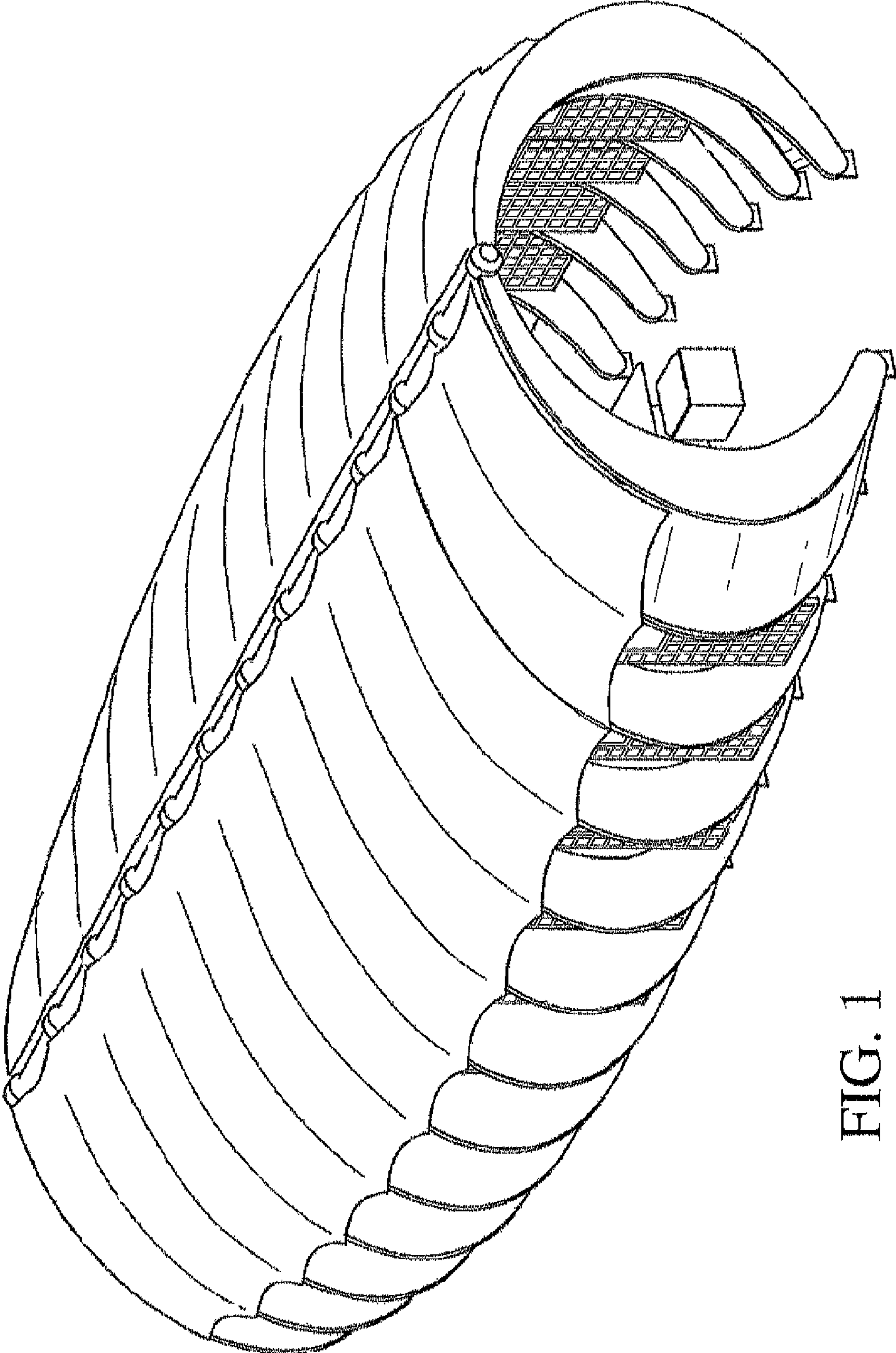


FIG. 1

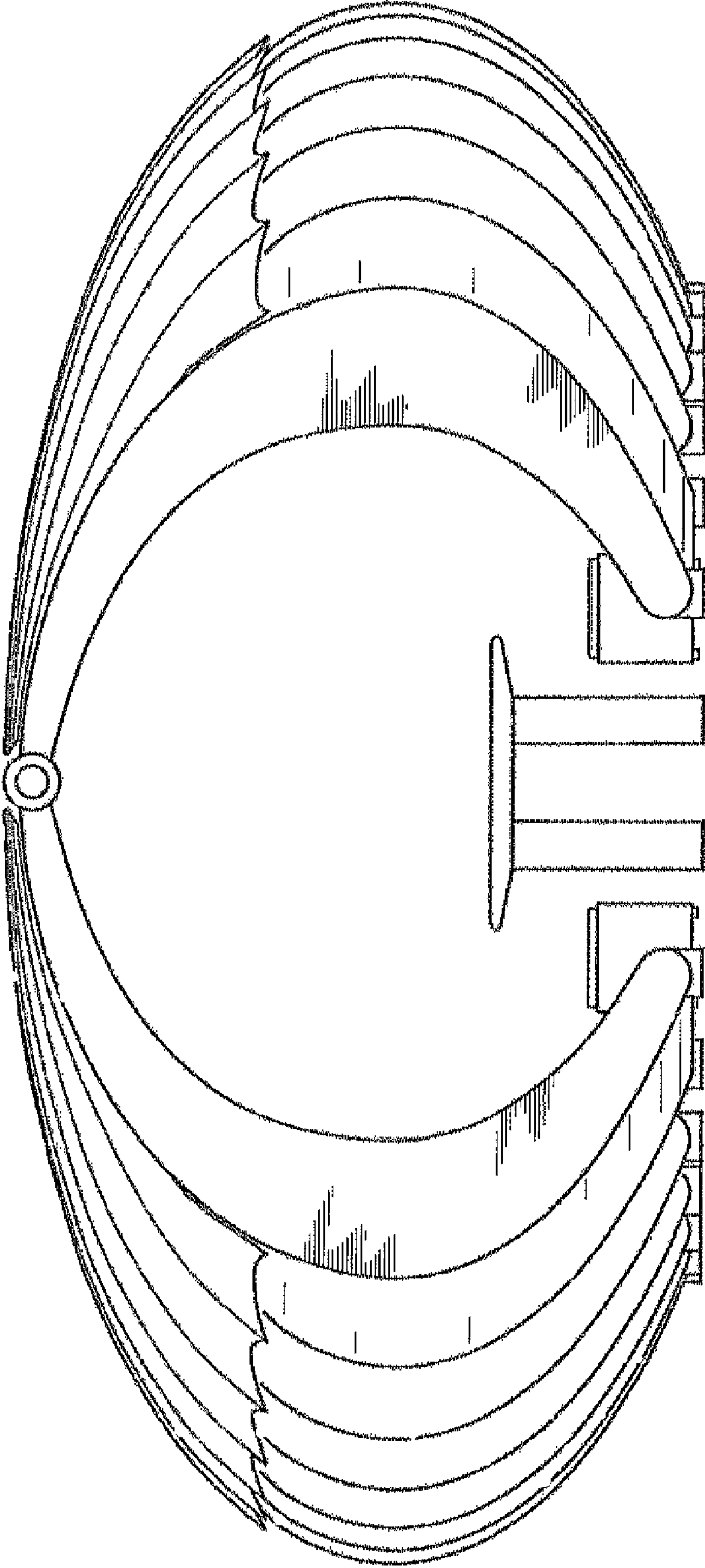


FIG. 2

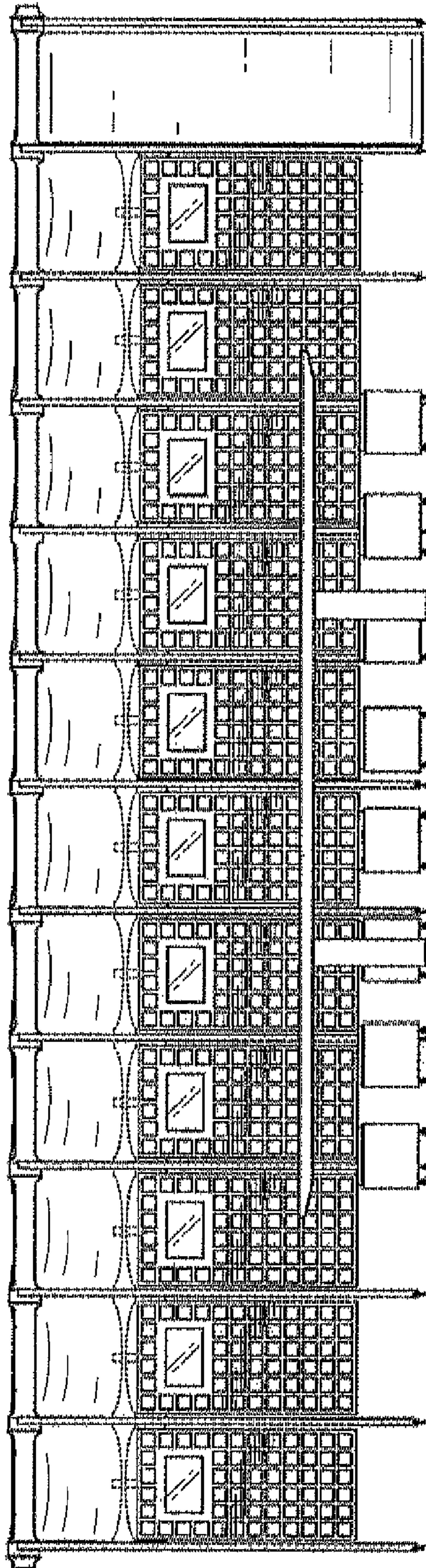


FIG. 3

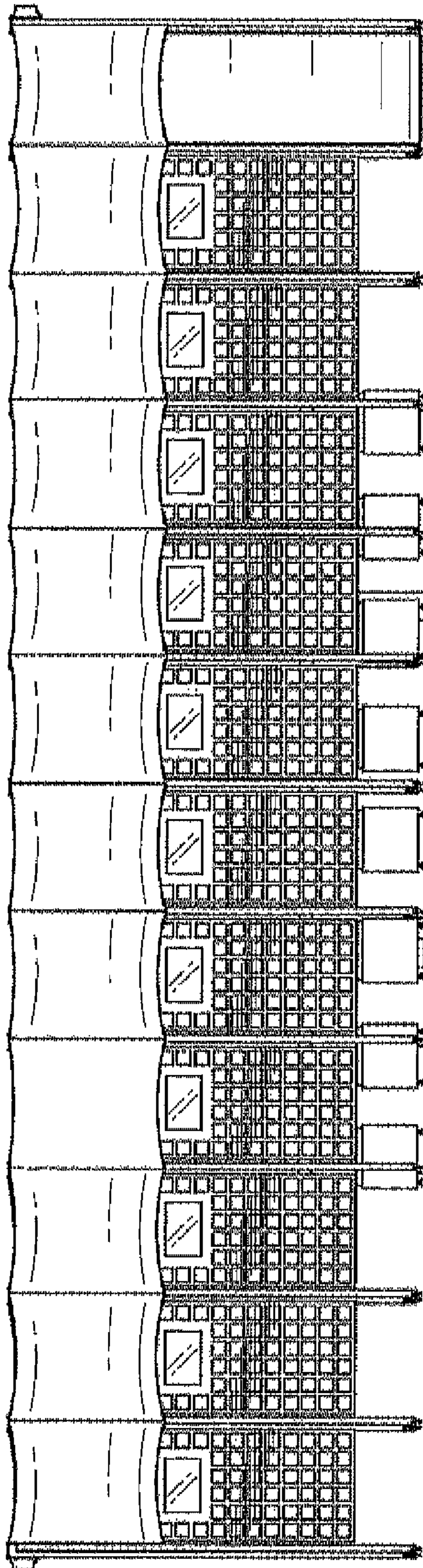


FIG. 4

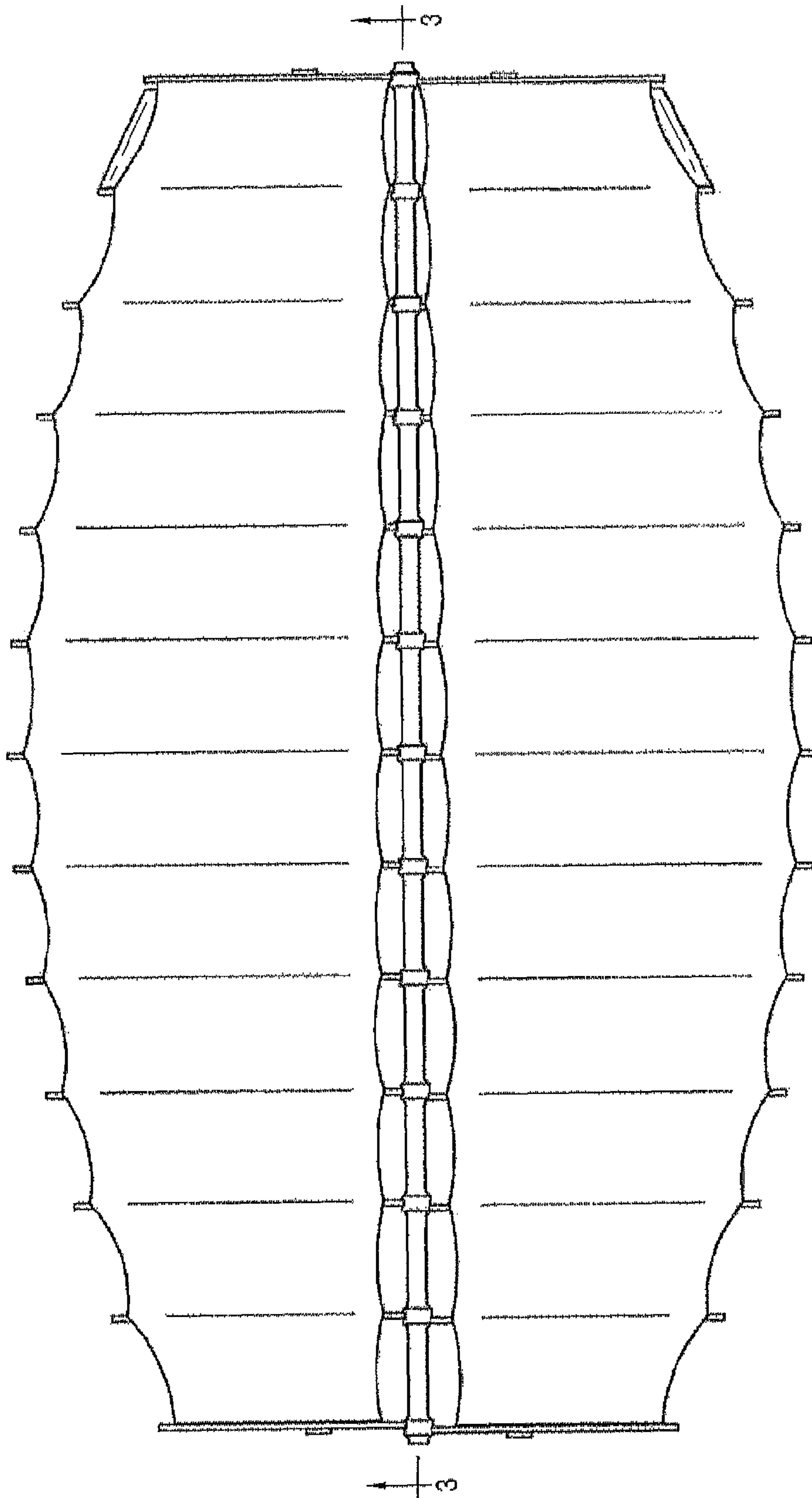


FIG. 5