



US00D659848S

(12) **United States Design Patent**  
**TerMaat et al.**

(10) **Patent No.:** **US D659,848 S**

(45) **Date of Patent:** **\*\* May 15, 2012**

(54) **SAMPLE TUBE**

(75) Inventors: **Joel TerMaat**, Lincoln, NE (US);  
**Matthew Robert Kreifels**, Omaha, NE  
(US); **Hendrik Viljoen**, Lincoln, NE  
(US); **Scott Whitney**, Lincoln, NE (US)

(73) Assignee: **Streck, Inc.**, LaVista, NE (US)

(\*\*) Term: **14 Years**

(21) Appl. No.: **29/390,267**

(22) Filed: **Apr. 22, 2011**

(51) **LOC (9) Cl.** ..... **24-01**

(52) **U.S. Cl.** ..... **D24/224**

(58) **Field of Classification Search** ..... D24/216-232,  
D24/186, 107, 108, 121; D3/201, 203.1,  
D3/203.2, 202; D10/81; D9/435, 436, 439,  
D9/420, 423, 516, 519, 520, 529, 544, 545,  
D9/549; 422/500, 547, 554, 556; 356/246;  
215/224, 305, 306; 435/288.1, 288.2, 304.1,  
435/304.2

See application file for complete search history.

(56) **References Cited**

U.S. PATENT DOCUMENTS

D225,526 S \* 12/1972 Baum et al. .... D24/224  
D256,053 S \* 7/1980 Steigerwald ..... D24/224

4,528,187 A \* 7/1985 Truglio ..... 422/549  
4,674,640 A \* 6/1987 Asa et al. .... 215/230  
D330,428 S \* 10/1992 Lewis et al. .... D24/224  
D337,261 S \* 7/1993 Sherman ..... D24/224  
D425,625 S \* 5/2000 Niermann ..... D24/224  
D621,520 S \* 8/2010 Talmer et al. .... D24/224  
D621,951 S \* 8/2010 Bucholtz et al. .... D24/224  
D640,795 S \* 6/2011 Jackson et al. .... D24/216  
2007/0051739 A1\* 3/2007 Giraud ..... 220/839

FOREIGN PATENT DOCUMENTS

WO 2011/086497 A2 7/2011

\* cited by examiner

*Primary Examiner* — Anhdao Doan

(74) *Attorney, Agent, or Firm* — Dobrusin & Thennisch PC

(57) **CLAIM**

The ornamental design for a sample tube, as shown and described.

**DESCRIPTION**

FIG. 1 is a perspective view of a sample tube showing our new design;

FIG. 2 is a side elevational view thereof;

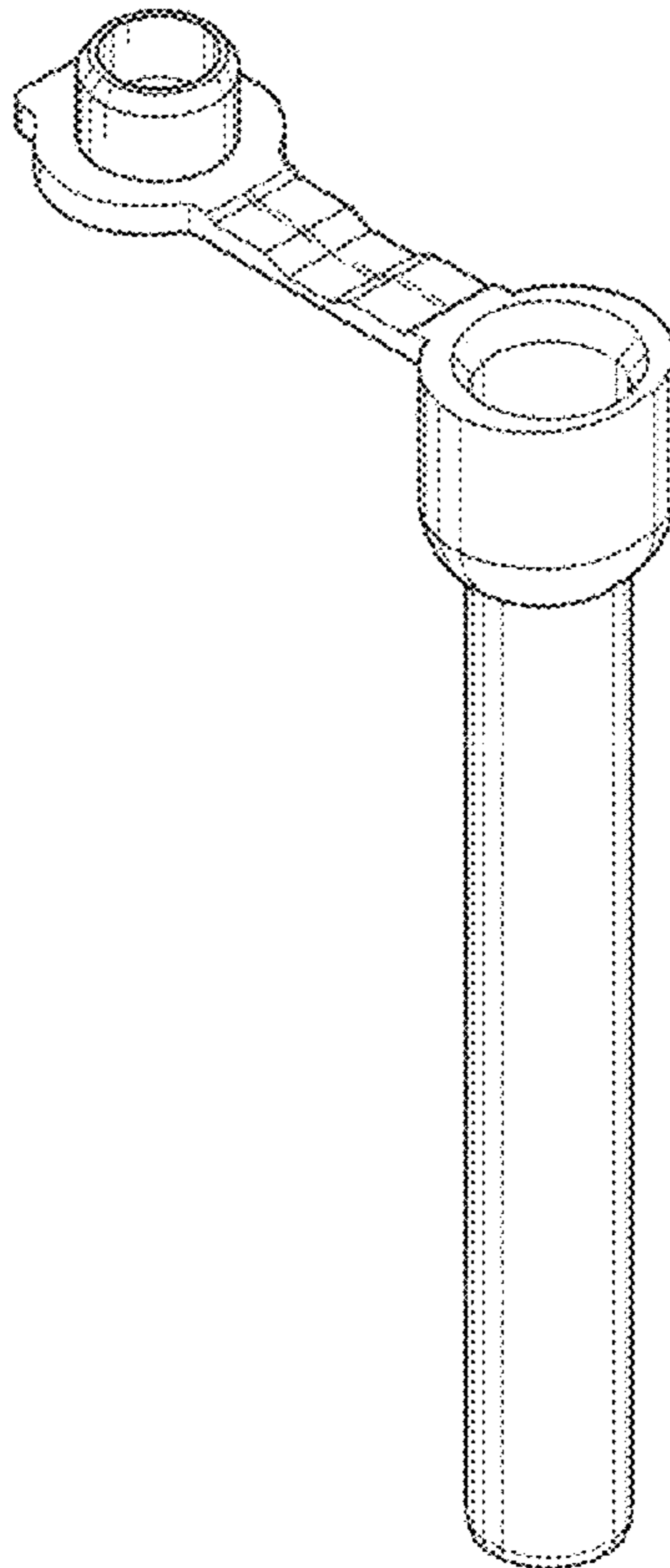
FIG. 3 is a front elevational view thereof;

FIG. 4 is a rear elevational view thereof;

FIG. 5 is a top plan view thereof; and,

FIG. 6 is a bottom plan view thereof.

**1 Claim, 2 Drawing Sheets**



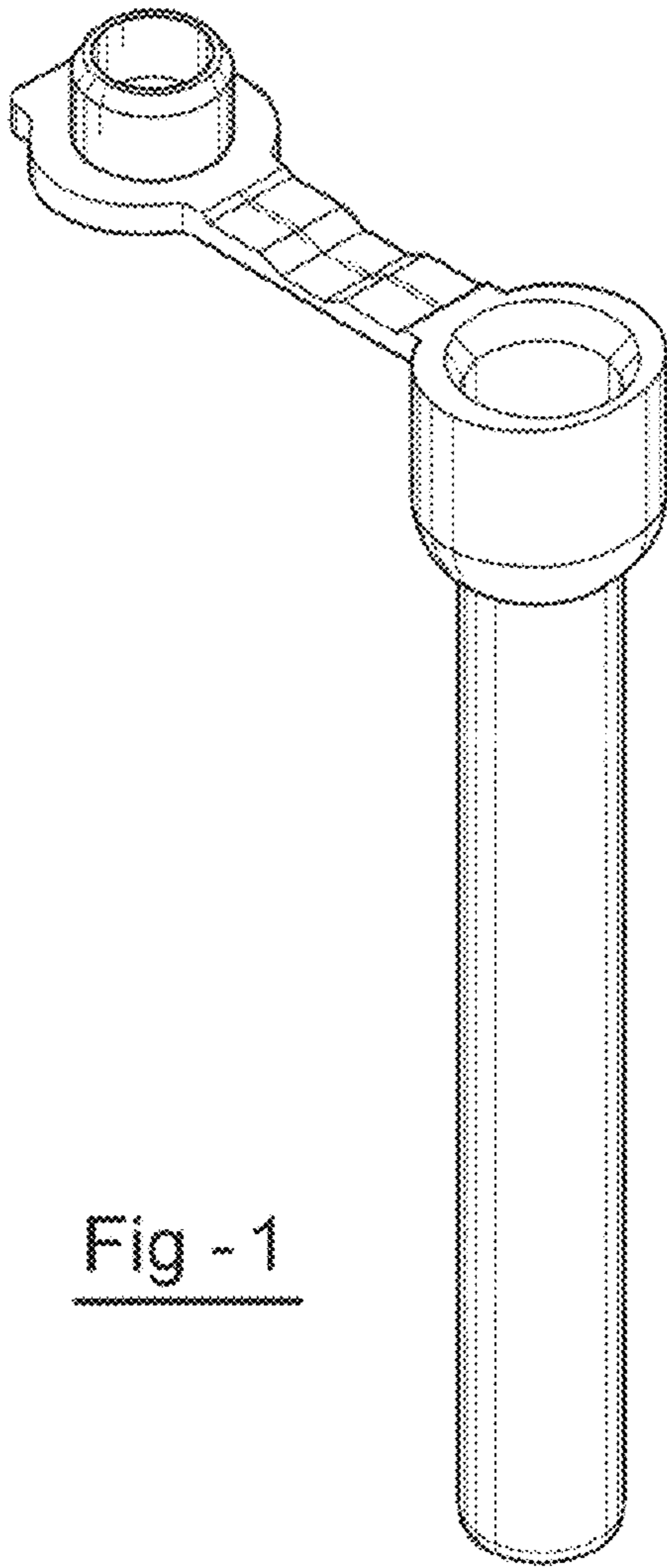


Fig - 1

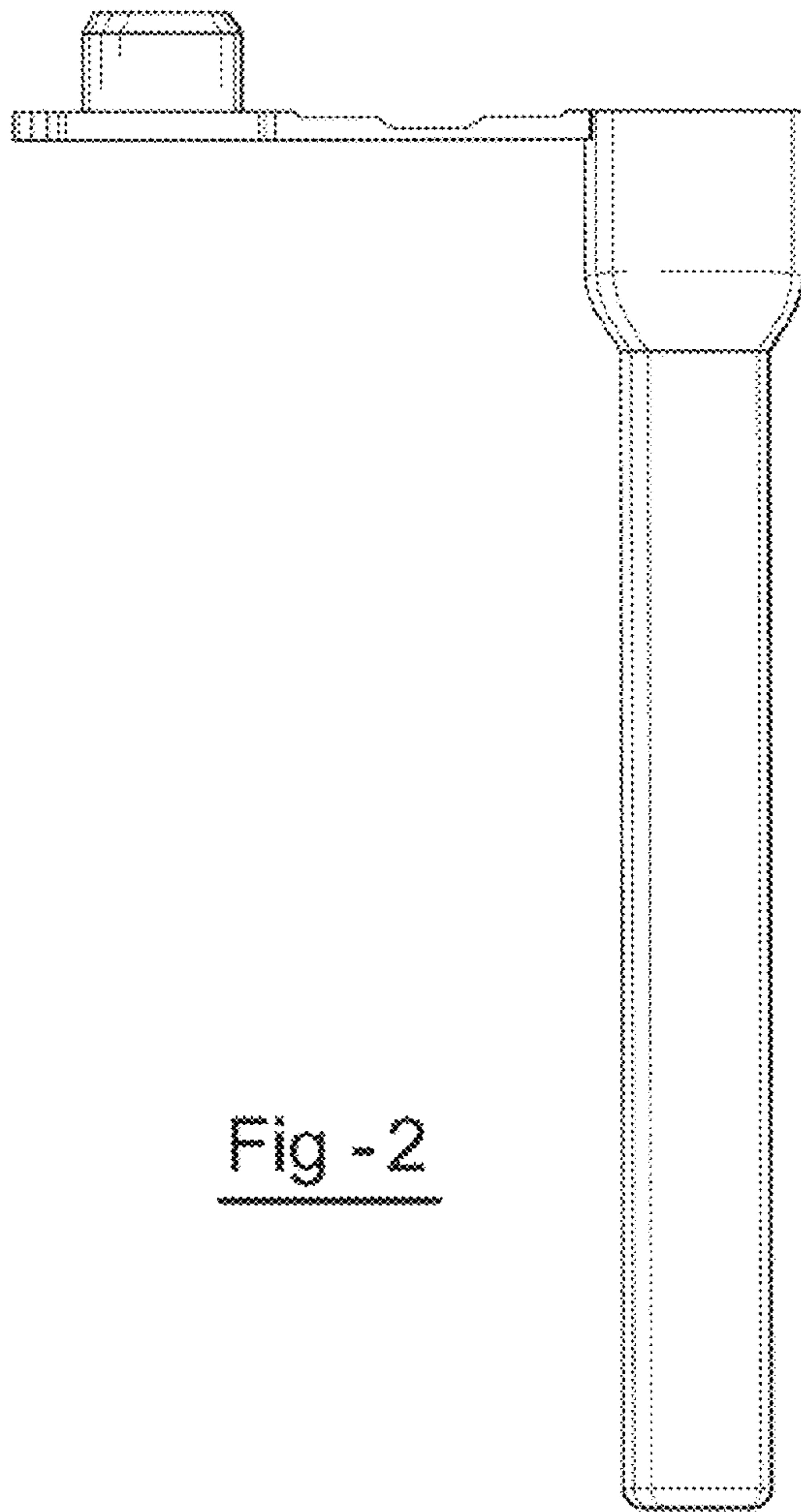


Fig - 2

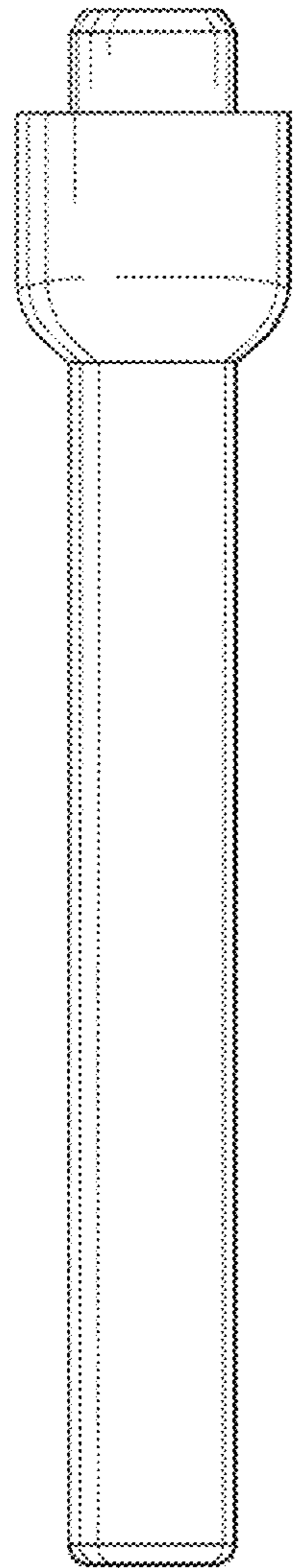


Fig - 3

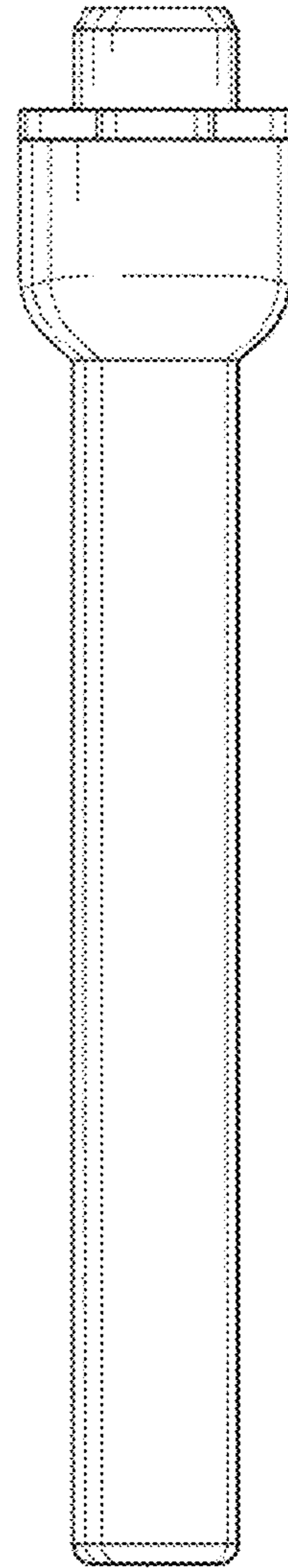


Fig - 4

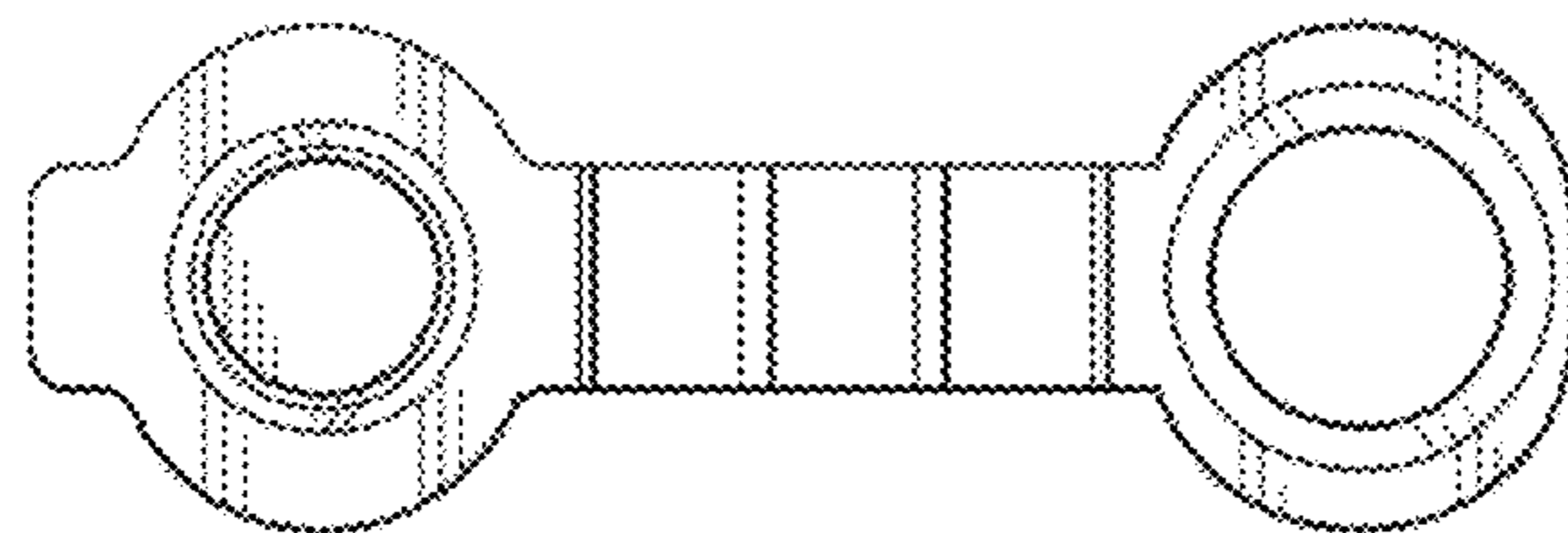


Fig - 5

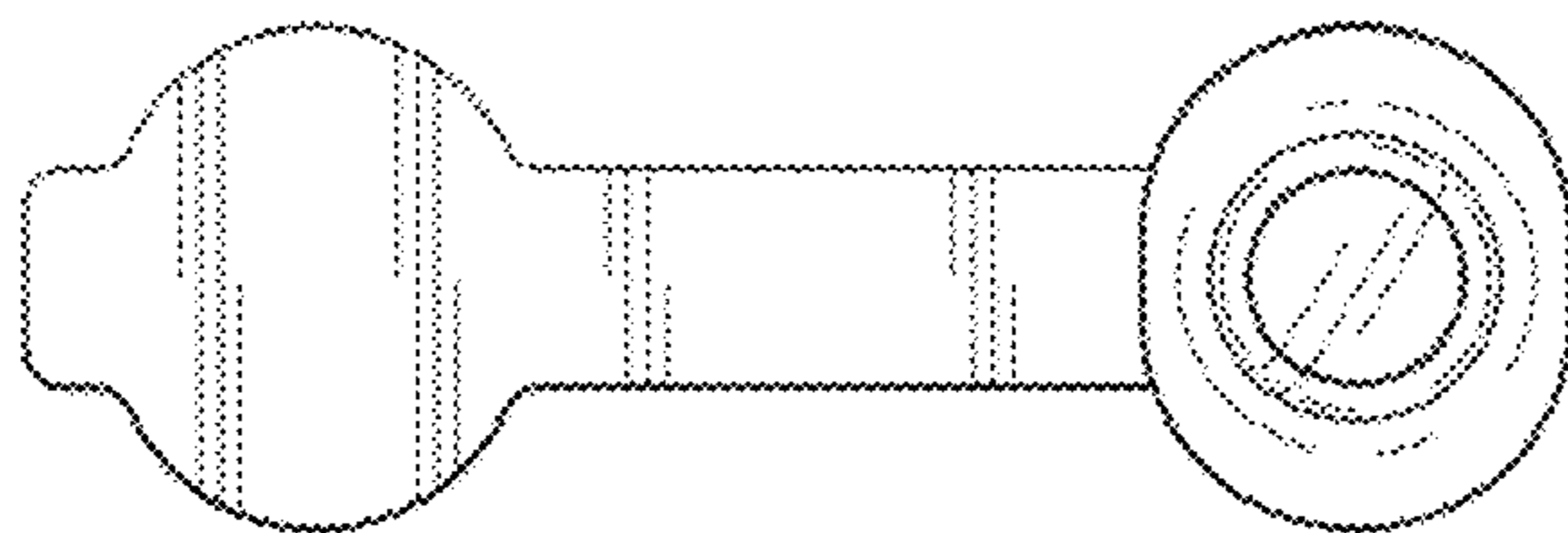


Fig - 6