



US00D659847S

(12) **United States Design Patent**  
**Li**

(10) **Patent No.:** **US D659,847 S**

(45) **Date of Patent:** **\*\* May 15, 2012**

(54) **DIGITAL TEST DEVICE**

(75) Inventor: **Wang Li**, Hangzhou (CN)

(73) Assignee: **Alere Switzerland GmbH**, Zug (CH)

(\*\*) Term: **14 Years**

(21) Appl. No.: **29/352,716**

(22) Filed: **Dec. 23, 2009**

(51) **LOC (9) Cl.** ..... **24-01**

(52) **U.S. Cl.** ..... **D24/216**

(58) **Field of Classification Search** ..... D24/216-232,  
D24/186; D3/201, 203.1, 203.2, 203.5, 265;  
D10/81; 422/500, 547, 550, 558, 62-65,  
422/67; D9/420, 423, 435, 439, 446, 529,  
D9/549, 558, 574, 686, 503, 504, 436, 438,  
D9/454; 435/287.1, 287.3; 436/43, 45, 47  
See application file for complete search history.

(56) **References Cited**

**U.S. PATENT DOCUMENTS**

D373,829 S \* 9/1996 Pallender ..... D24/224  
D412,990 S \* 8/1999 Woolston et al. .... D24/223  
D555,802 S \* 11/2007 Coulling et al. .... D24/224  
D558,357 S \* 12/2007 Byrd et al. .... D24/224

D559,397 S \* 1/2008 Eriksson et al. .... D24/224  
D560,281 S \* 1/2008 Kozak et al. .... D24/216  
D562,462 S \* 2/2008 Muir et al. .... D24/224  
D562,987 S \* 2/2008 Colin et al. .... D24/224  
D574,507 S \* 8/2008 Muir et al. .... D24/224

\* cited by examiner

*Primary Examiner* — Anhdao Doan

(74) *Attorney, Agent, or Firm* — DLA Piper LLP (US)

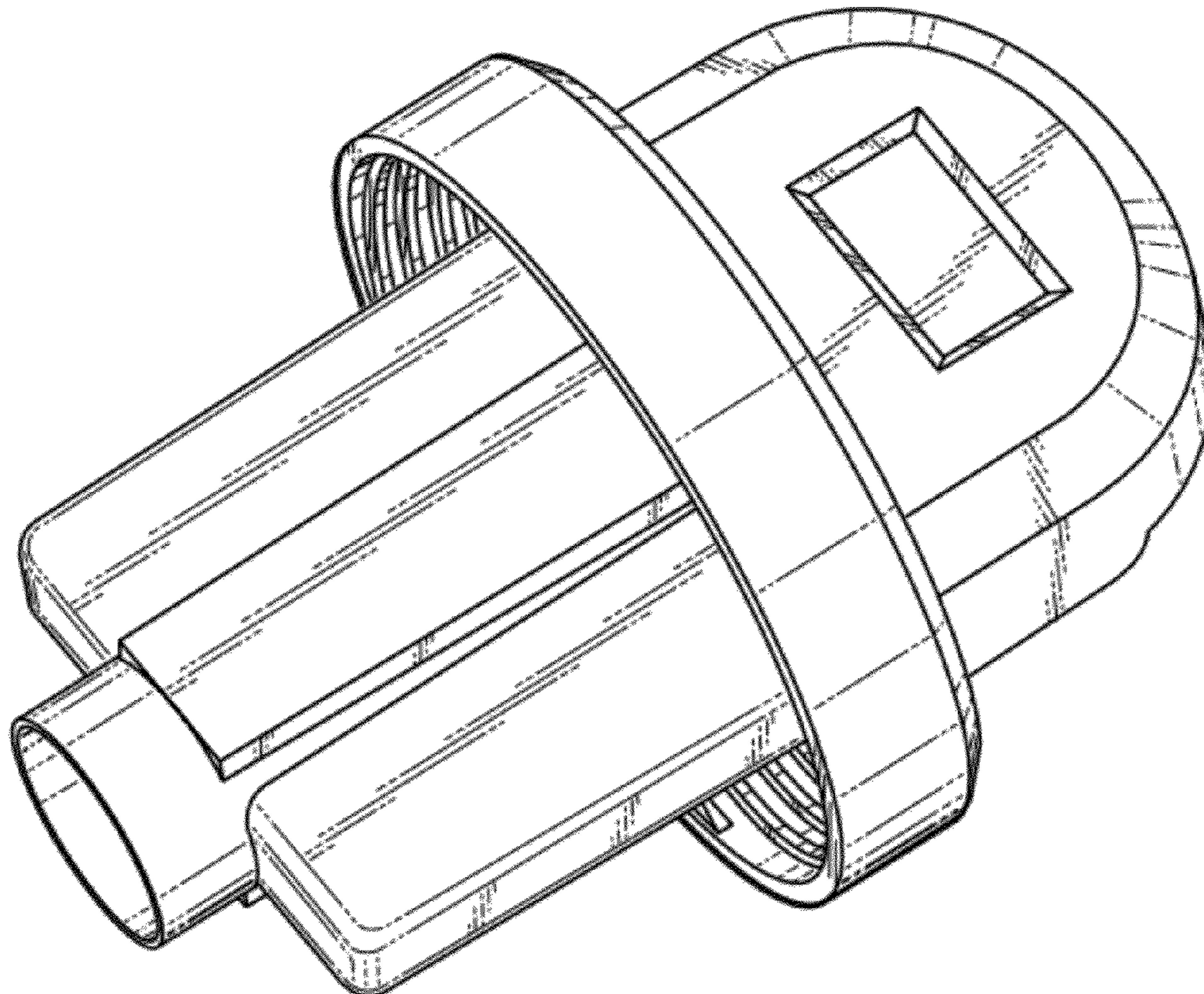
(57) **CLAIM**

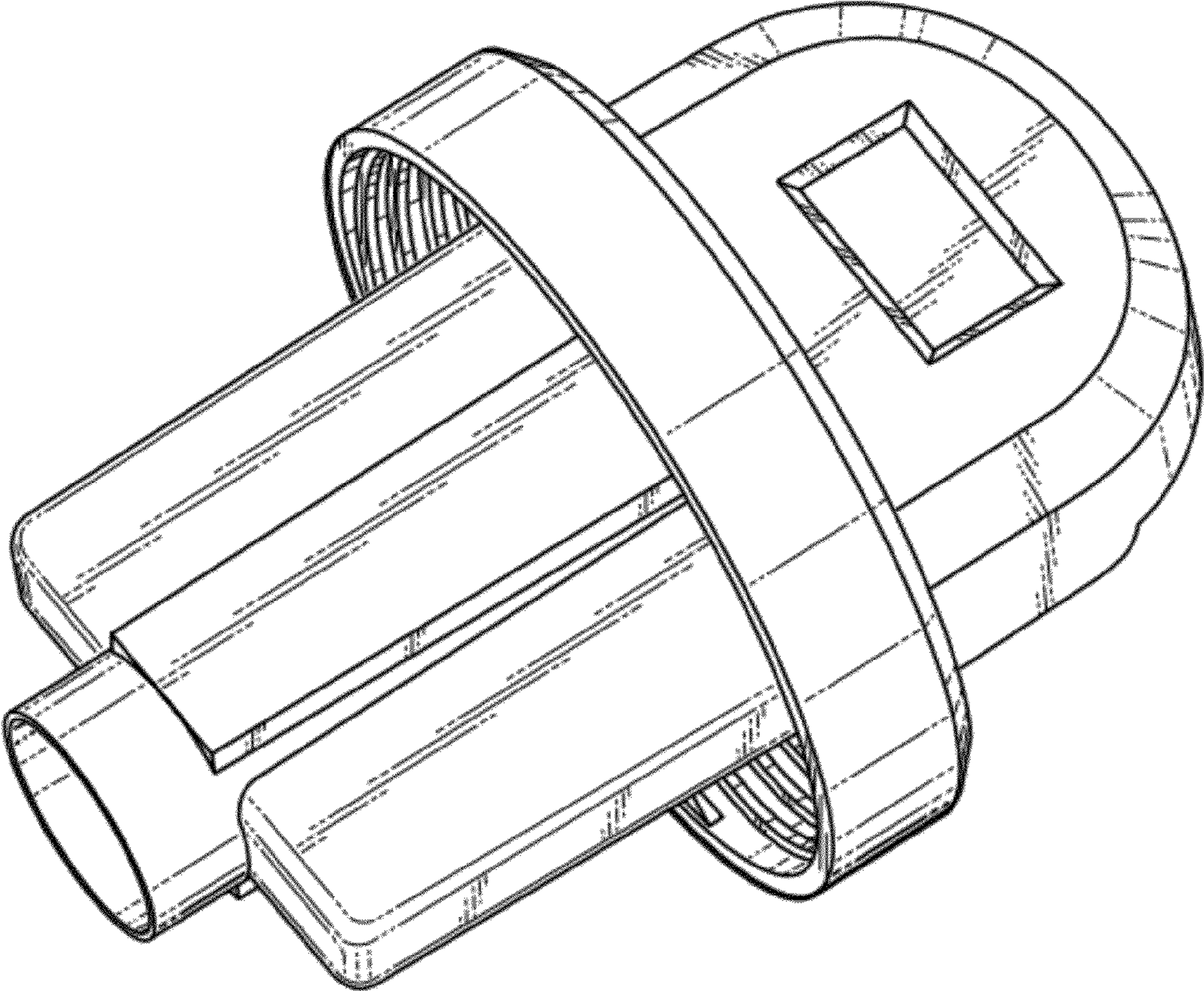
The ornamental design for a digital test device, as shown and described.

**DESCRIPTION**

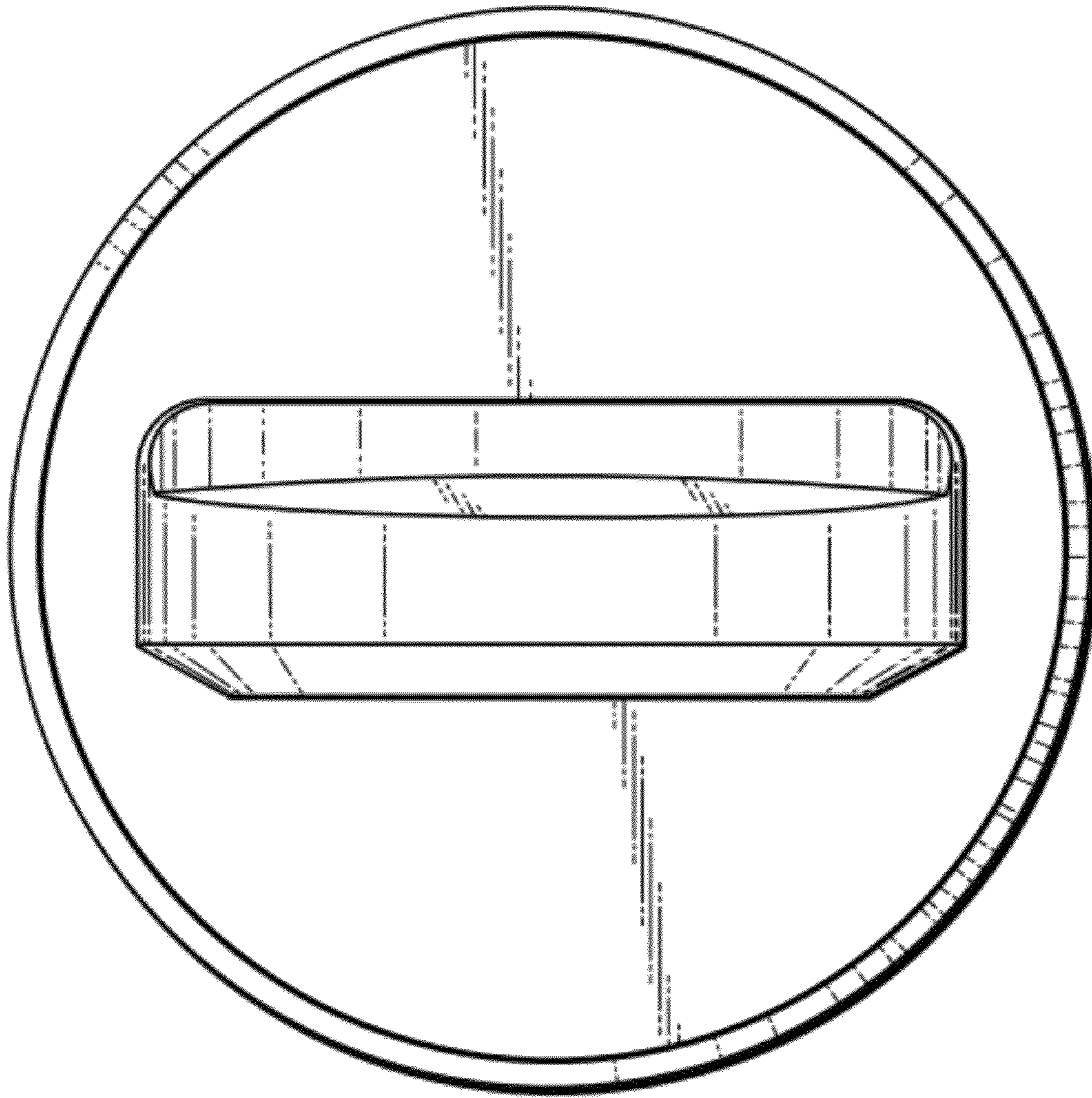
FIG. 1 is a perspective view of a digital test device;  
FIG. 2 is a top view thereof;  
FIG. 3 is a front view thereof;  
FIG. 4 is a left side view thereof, the right side view being a mirror image;  
FIG. 5 is a rear view thereof; and,  
FIG. 6 is a bottom view thereof.  
The broken lines in FIG. 6 are included for the purpose of illustrating portions of the digital test device that form no part of the claimed design.

**1 Claim, 6 Drawing Sheets**

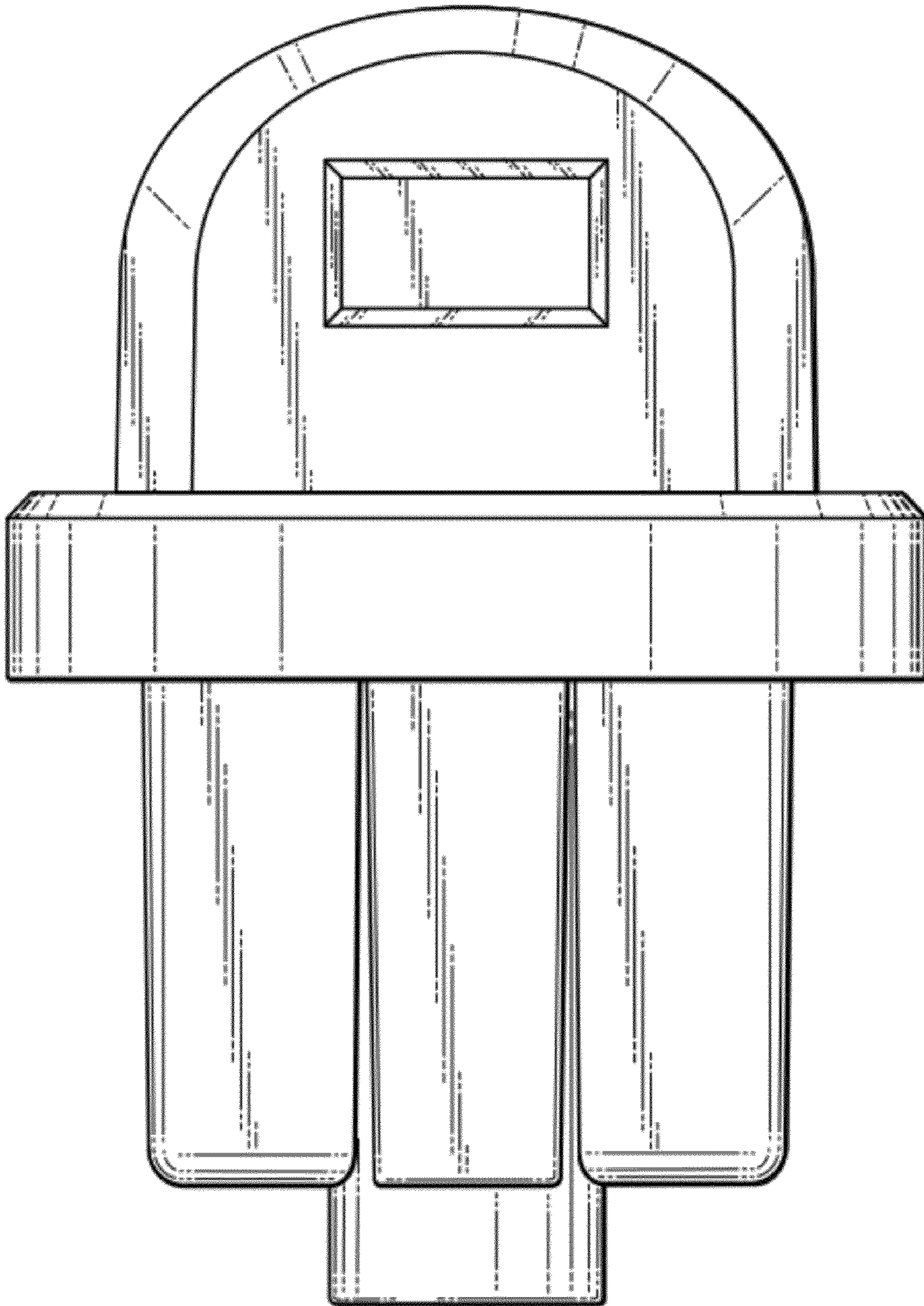




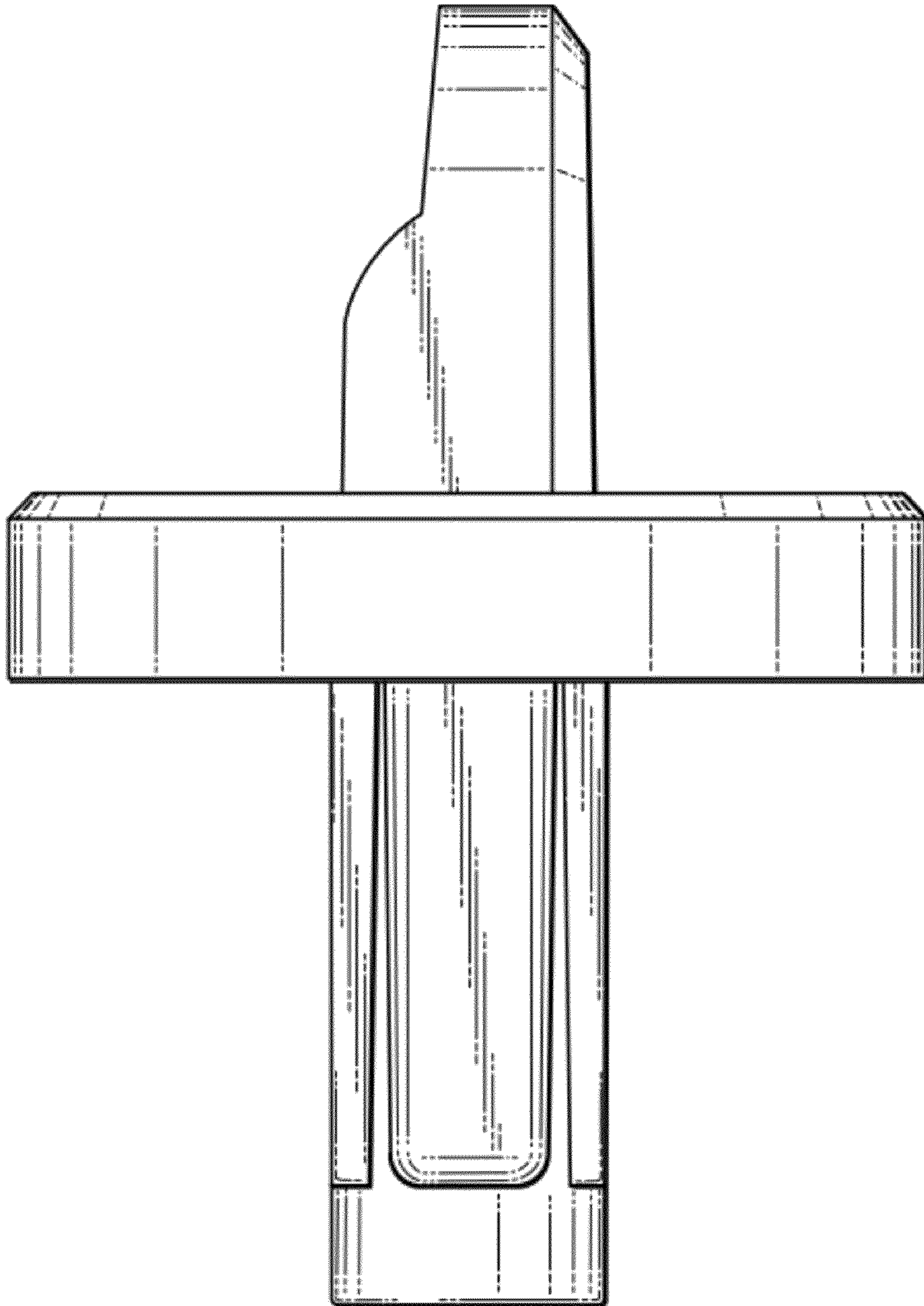
**FIG. 1**



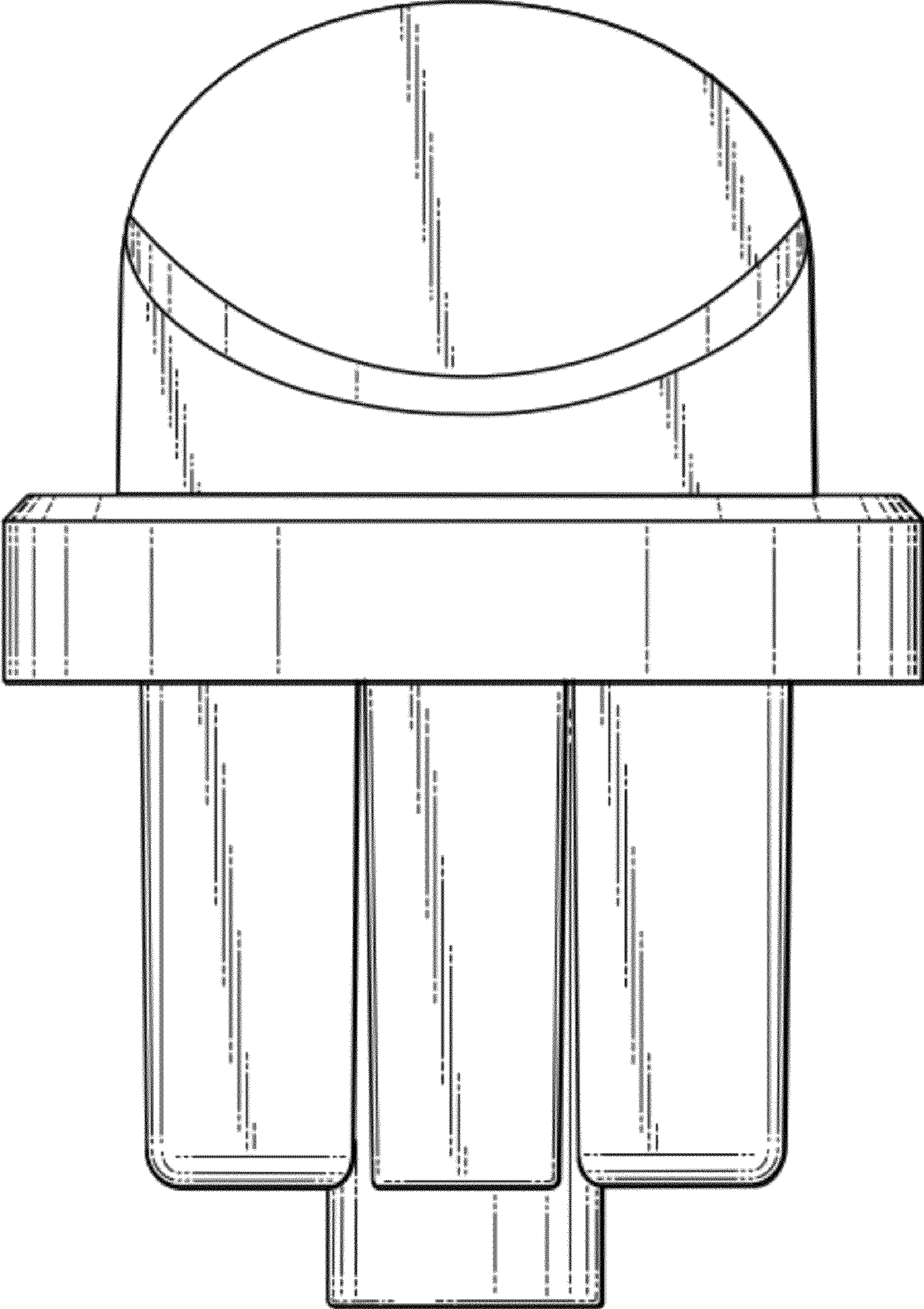
**FIG. 2**



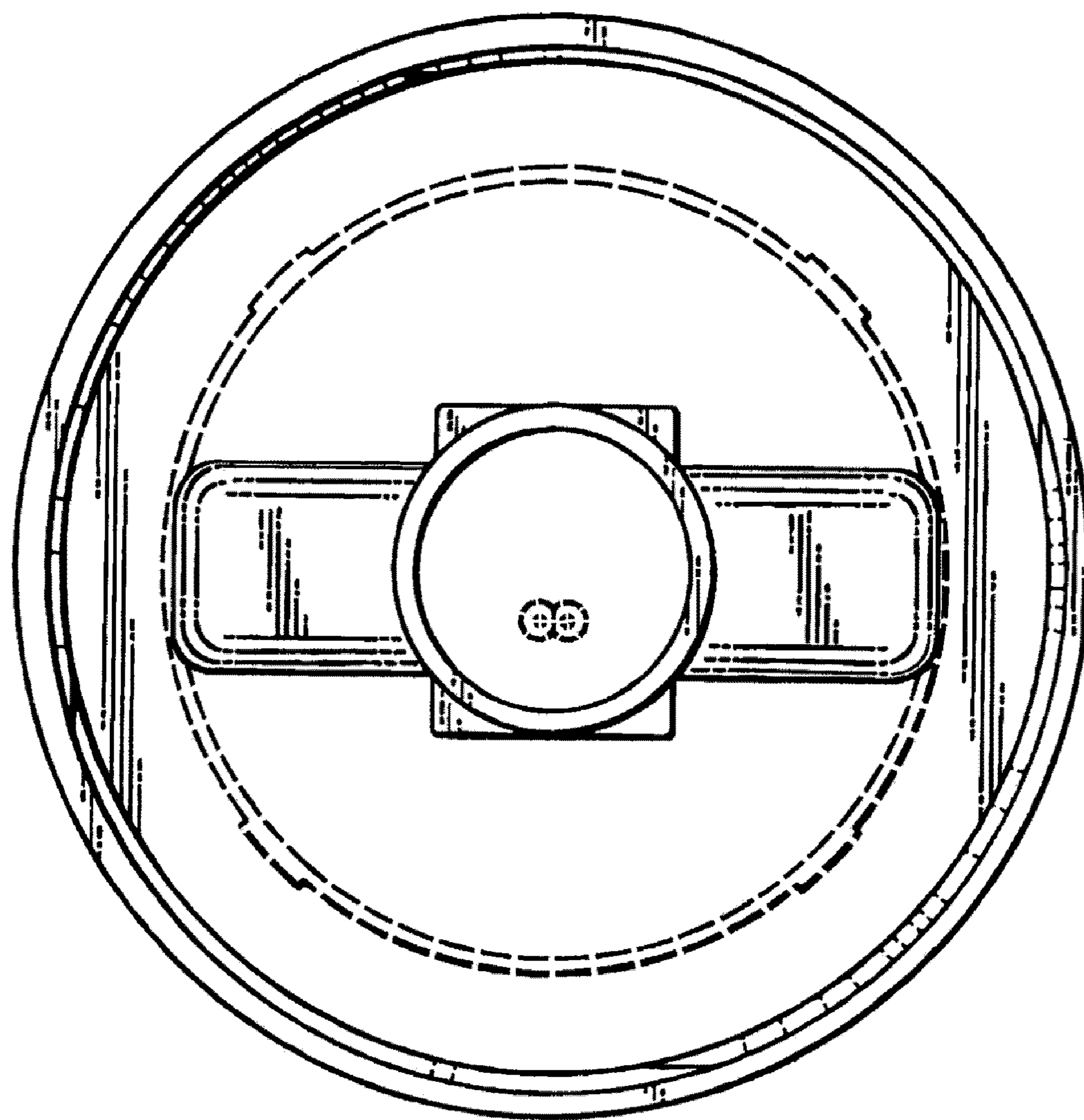
**FIG. 3**



**FIG. 4**



**FIG. 5**



**FIG. 6**