



US00D659846S

(12) **United States Design Patent**  
**Pearson**

(10) **Patent No.:** **US D659,846 S**

(45) **Date of Patent:** **\*\* May 15, 2012**

(54) **MESSAGE TOOL**

(76) Inventor: **William Dean Pearson**, Longmont, CO  
(US)

(\*\*) Term: **14 Years**

(21) Appl. No.: **29/349,383**

(22) Filed: **Mar. 26, 2010**

(51) **LOC (9) Cl.** ..... **28-03**

(52) **U.S. Cl.** ..... **D24/211**

(58) **Field of Classification Search** ..... D24/200,  
D24/211-215; 601/118, 120, 121, 124, 125,  
601/130, 131, 134-137

See application file for complete search history.

(56) **References Cited**

**U.S. PATENT DOCUMENTS**

2,450,935	A *	10/1948	Carr	.....	601/136
2,510,399	A *	6/1950	Harris	.....	601/131
2,607,064	A *	8/1952	Sullivan et al.	.....	15/187
2,655,147	A *	10/1953	Rohrer	.....	601/7
3,228,392	A *	1/1966	Speyer	.....	601/108
D249,893	S *	10/1978	Armbruster et al.	.....	D24/211
D260,928	S *	9/1981	Gueret	.....	D24/211
D281,723	S *	12/1985	Alstead	.....	D24/214
D285,116	S *	8/1986	Hoff	.....	D24/214
D326,327	S *	5/1992	Sue	.....	D24/214

D326,722	S *	6/1992	Sue	.....	D24/214
D357,322	S *	4/1995	Matthews	.....	D24/211
D403,428	S *	12/1998	Russo	.....	D24/200
5,843,005	A *	12/1998	Chubinsky	.....	601/15
6,010,469	A *	1/2000	McAtee	.....	601/135
D422,086	S *	3/2000	Chen	.....	D24/211
6,241,694	B1 *	6/2001	Goulding-Thompson	.....	601/135
6,267,738	B1 *	7/2001	Louis	.....	601/137
D456,909	S *	5/2002	Szabo	.....	D24/214
D548,850	S *	8/2007	Gladieux, III	.....	D24/214
D566,267	S *	4/2008	Benz et al.	.....	D24/133
D607,116	S *	12/2009	Morganstern	.....	D24/214
D621,505	S *	8/2010	Gabbay et al.	.....	D24/141

\* cited by examiner

*Primary Examiner* — Sandra Snapp

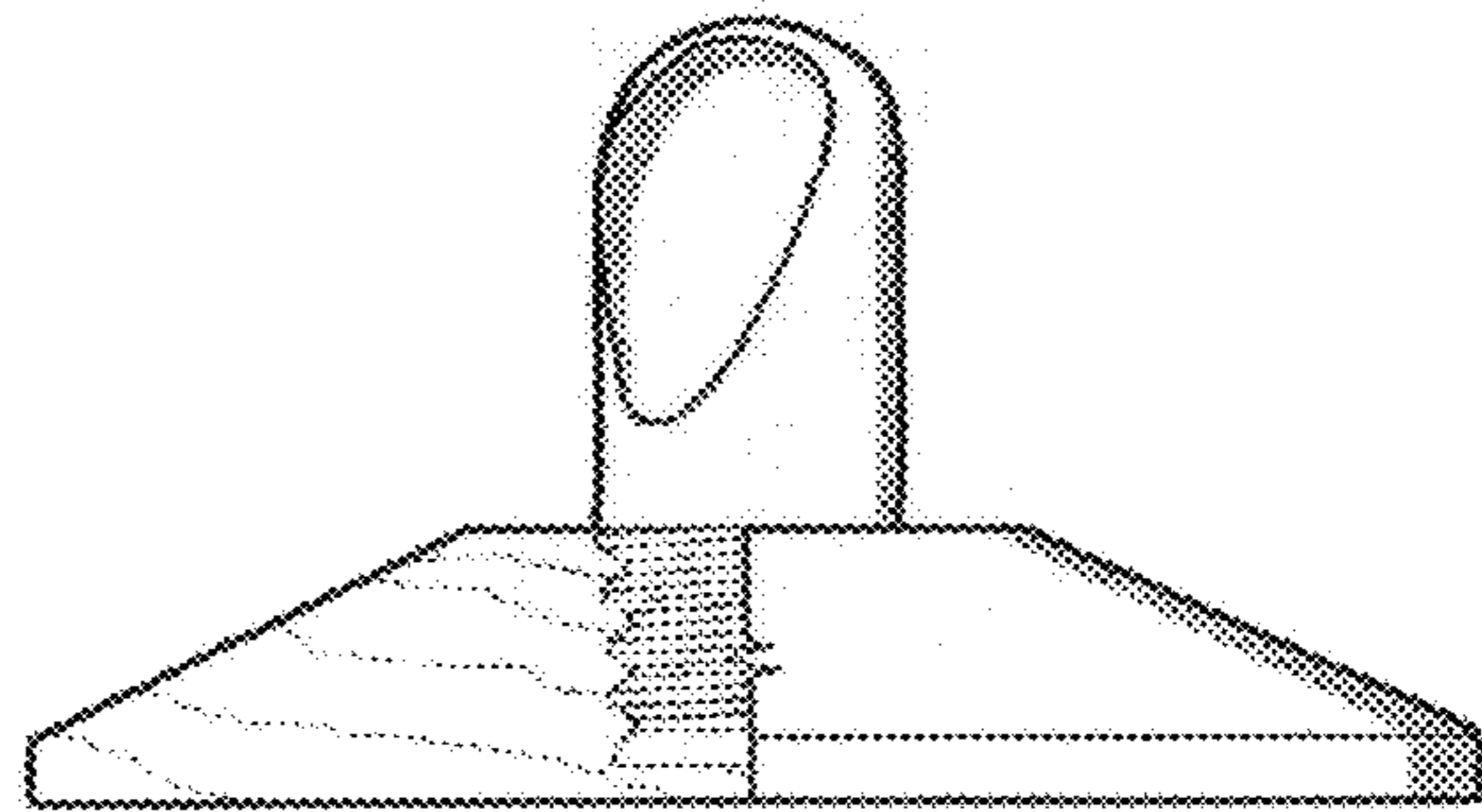
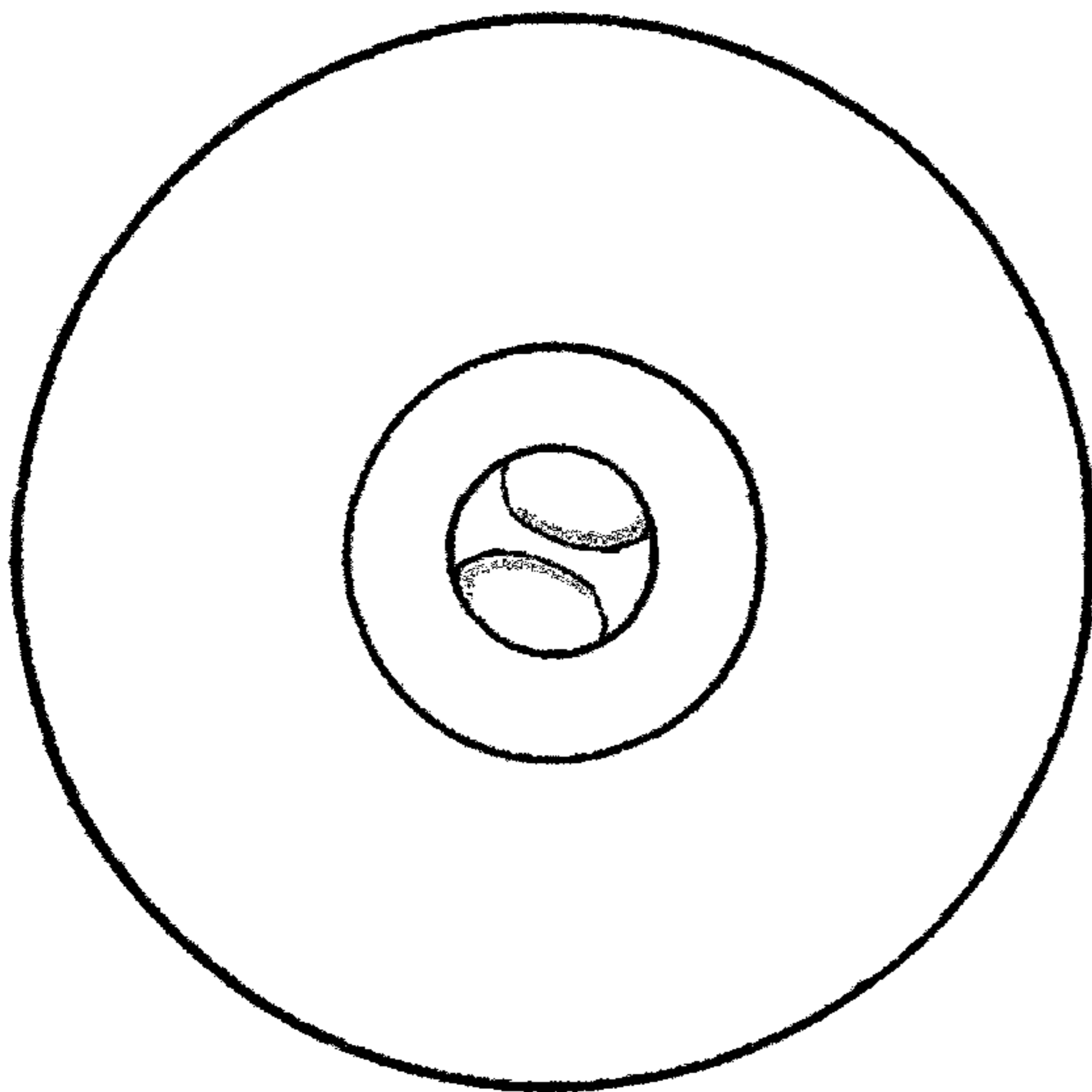
(57) **CLAIM**

The ornamental design for a massage tool, as shown and described.

**DESCRIPTION**

FIG. 1 is a top plan view of the massage tool; and, FIG. 2 is a side elevation view of the massage tool with a quarter section of the base removed to show the male threads of the contoured peg threaded into the female threaded base.

**1 Claim, 1 Drawing Sheet**



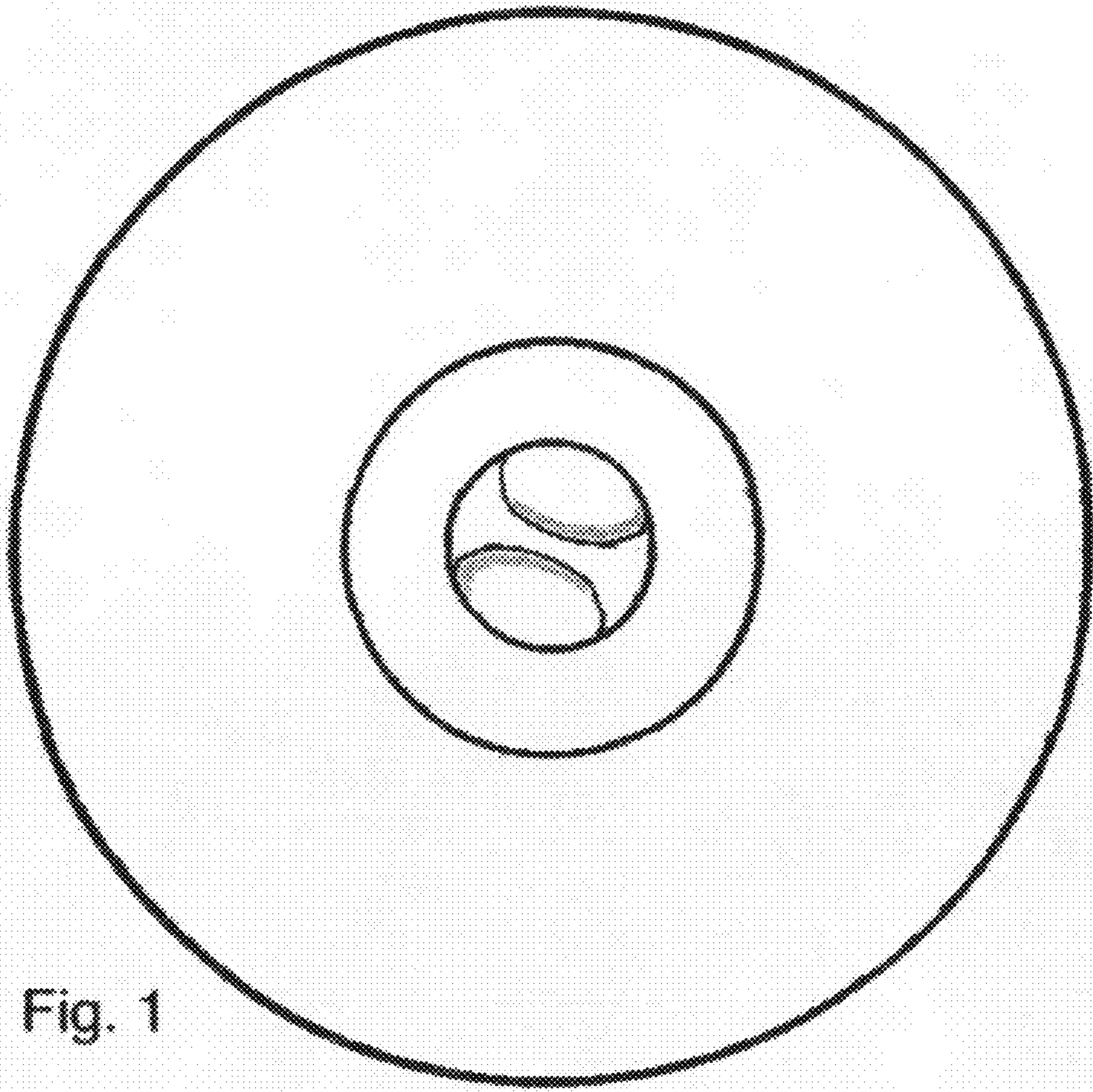


Fig. 1

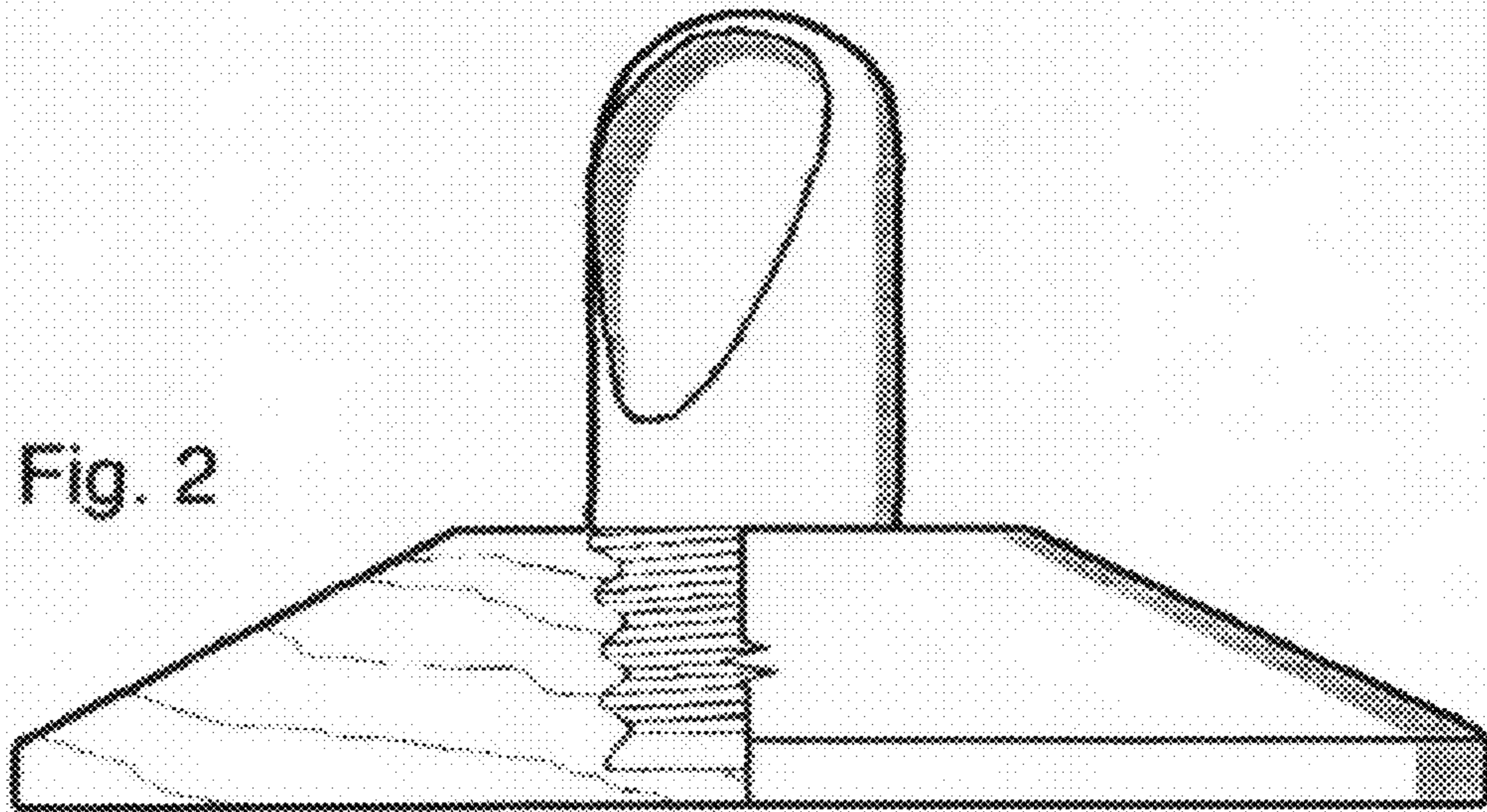


Fig. 2