



US00D659840S

(12) **United States Design Patent**  
**Cheng et al.**

(10) **Patent No.:** **US D659,840 S**  
(45) **Date of Patent:** **\*\* May 15, 2012**

(54) **DIGITAL DIAGNOSTIC DEVICE**

(75) Inventors: **Chu-Ming Cheng**, Hsinchu (TW);  
**Che-Jung Kuo**, Hsinchu (TW);  
**Chih-Lu Hsu**, Hsinchu (TW);  
**Long-Sheng Liao**, Hsinchu (TW);  
**Yu-Tsung Lee**, Hsinchu (TW);  
**Jung-Sung Cheng**, Hsinchu (TW);  
**Yi-Wen Chen**, Hsinchu (TW);  
**Ming-Hsien Hsieh**, Hsinchu (TW);  
**Zhan-Sheng Lin**, Hsinchu (TW);  
**Chang-Lin Hu**, Hsinchu (TW); **Shan-Yi Yang**, Hsinchu (TW)

5,373,317	A *	12/1994	Salvati et al. ....	348/65
D358,471	S *	5/1995	Cope et al. ....	D24/138
7,029,439	B2 *	4/2006	Roberts et al. ....	600/199
D533,939	S *	12/2006	Root et al. ....	D24/133
7,214,183	B2 *	5/2007	Miyake ....	600/131
D594,555	S *	6/2009	Hsu ....	D24/137
D618,346	S *	6/2010	Sisko et al. ....	D24/137
D618,794	S *	6/2010	Onuma ....	D24/137
D619,708	S *	7/2010	Ellman ....	D24/150
D635,256	S *	3/2011	Huang ....	D24/151
D635,257	S *	3/2011	Ellman ....	D24/137
D636,080	S *	4/2011	Goldberg ....	D24/137
D637,715	S *	5/2011	Clarke et al. ....	D24/137
D637,717	S *	5/2011	Clarke et al. ....	D24/137

\* cited by examiner

(73) Assignee: **Medimaging Integrated Solution, Inc.**,  
Hsinchu (TW)

*Primary Examiner* — T. Chase Nelson  
*Assistant Examiner* — Mark Cavanna

(\*\*) Term: **14 Years**

(74) *Attorney, Agent, or Firm* — Muncy, Geissler, Olds & Lowe, PLLC

(21) Appl. No.: **29/401,879**

(22) Filed: **Sep. 16, 2011**

(51) **LOC (9) Cl.** ..... **24-01**

(52) **U.S. Cl.** ..... **D24/186; D24/137**

(58) **Field of Classification Search** ..... D24/186,  
D24/133, 135, 137, 138, 150–151; 600/131,  
600/184–200; 606/191–196; 320/114; 348/65  
See application file for complete search history.

(56) **References Cited**

**U.S. PATENT DOCUMENTS**

D222,925	S *	2/1972	Hopewell ....	D24/137
3,698,387	A *	10/1972	Moore et al. ....	600/200
4,147,163	A *	4/1979	Newman et al. ....	600/200
D286,814	S *	11/1986	Brainard et al. ....	D24/137
D288,960	S *	3/1987	Riester ....	D24/137
D289,197	S *	4/1987	Ware et al. ....	D24/137
5,177,424	A *	1/1993	Connors ....	320/114

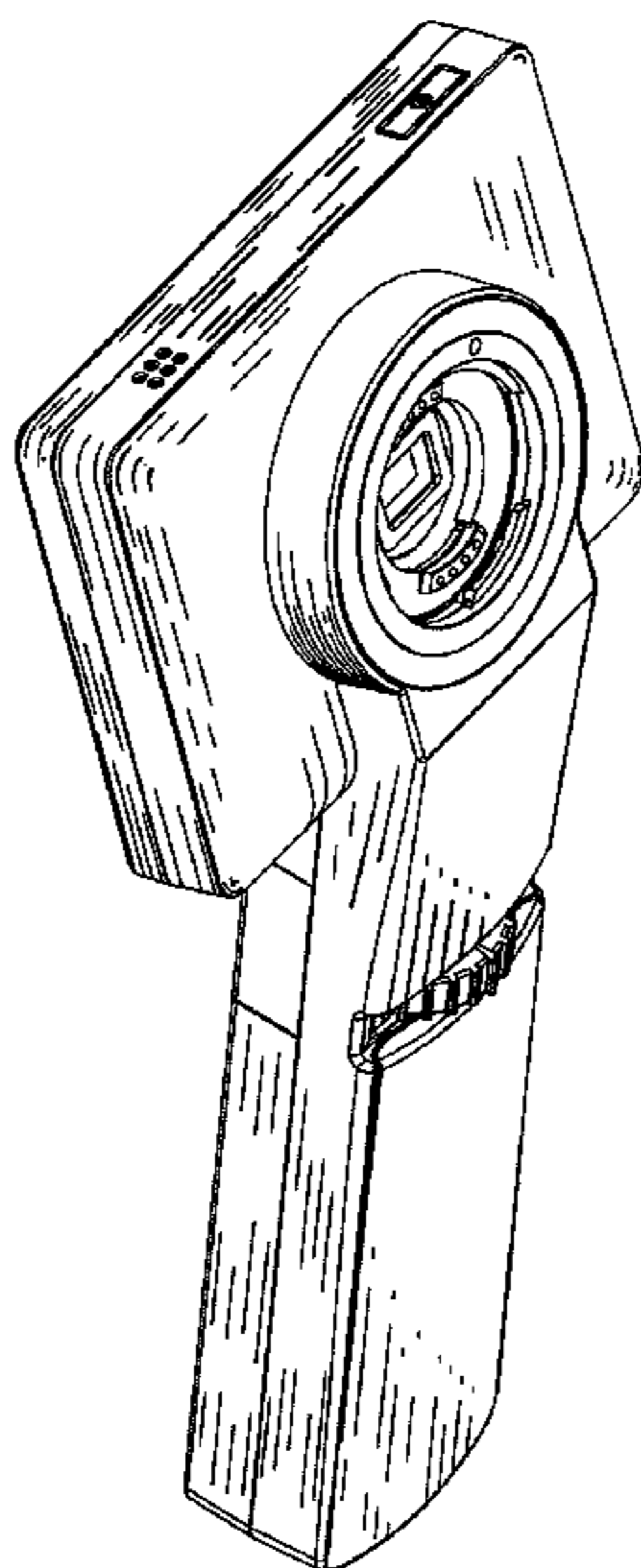
(57) **CLAIM**

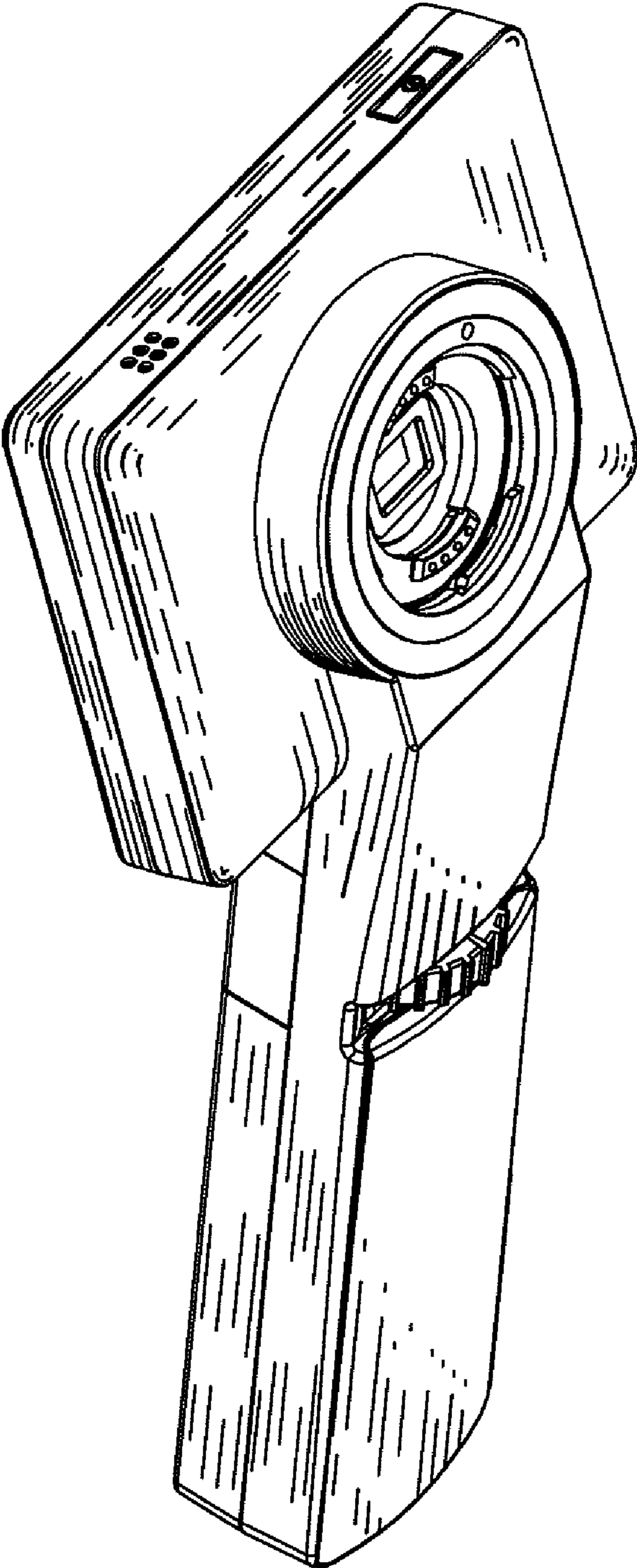
The ornamental design for a digital diagnostic device, as shown and described.

**DESCRIPTION**

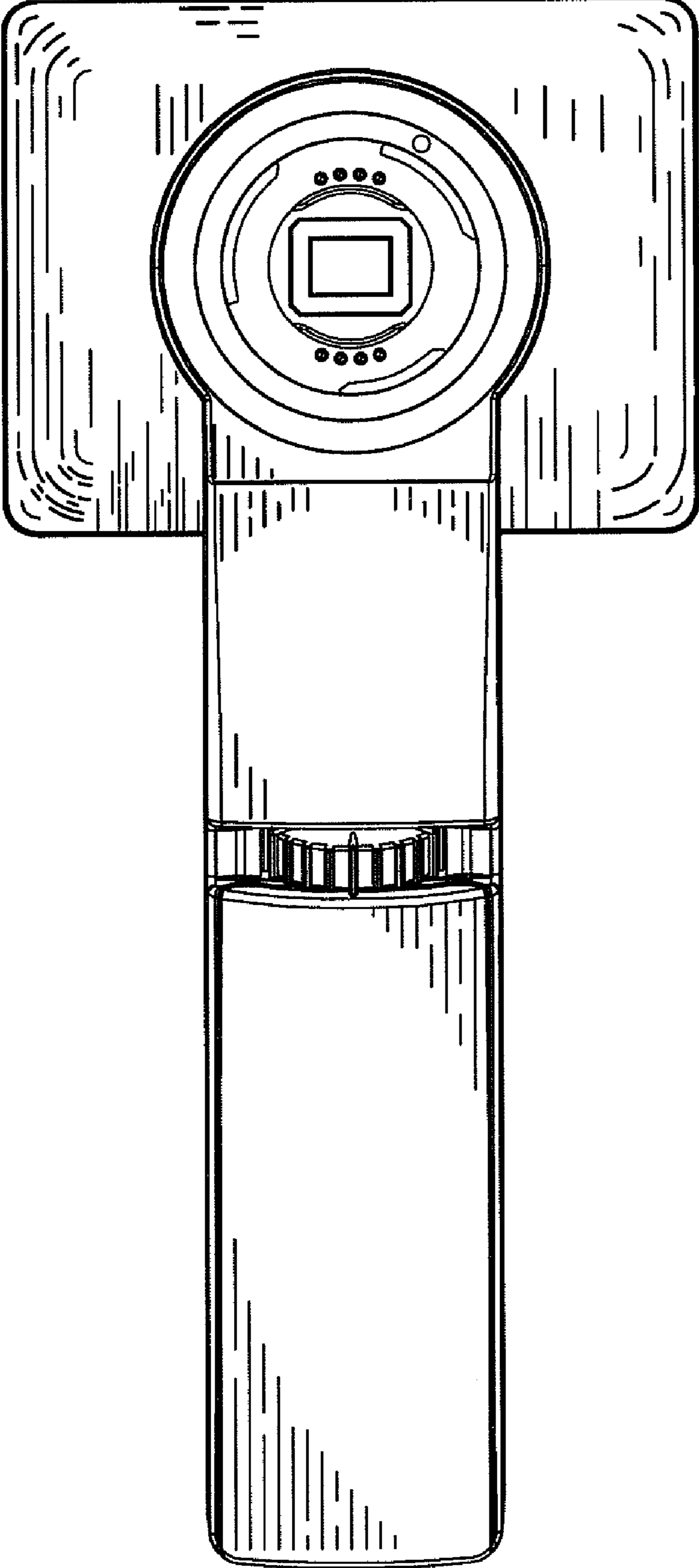
FIG. 1 is a perspective view of a digital diagnostic device showing our new design;  
FIG. 2 is a front view thereof;  
FIG. 3 is a rear view thereof;  
FIG. 4 is a left side view thereof;  
FIG. 5 is a right side view thereof;  
FIG. 6 is a top view thereof;  
FIG. 7 is a bottom view thereof;  
FIG. 8 is a front left perspective view thereof;  
FIG. 9 is a bottom left perspective view thereof; and,  
FIG. 10 is a detail top left perspective view thereof.

**1 Claim, 10 Drawing Sheets**

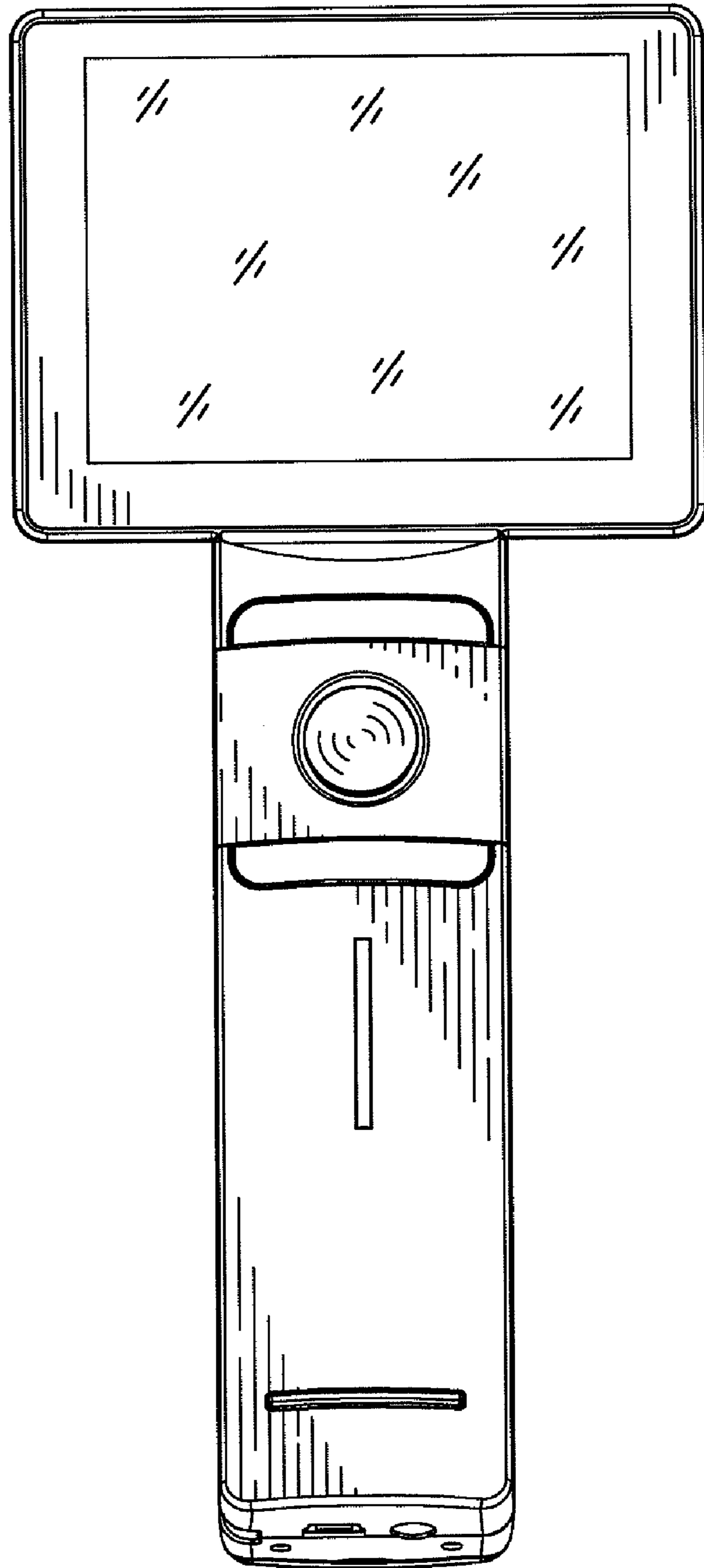




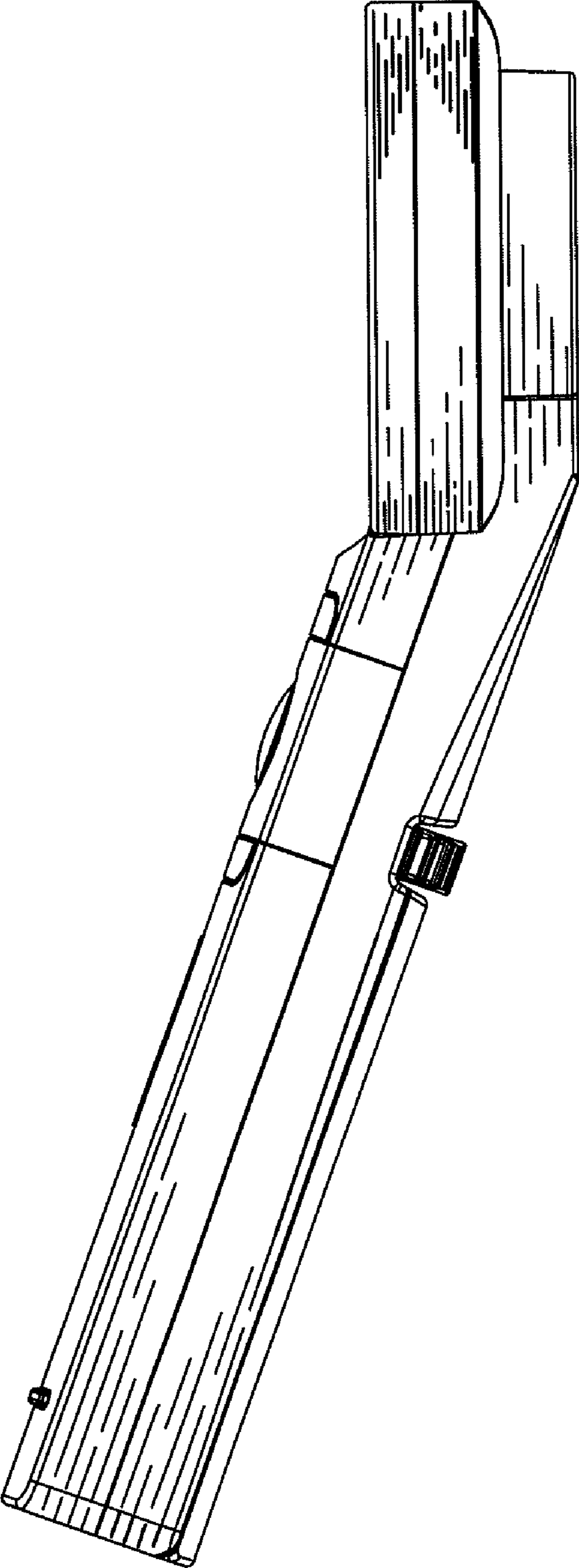
**FIG.1**



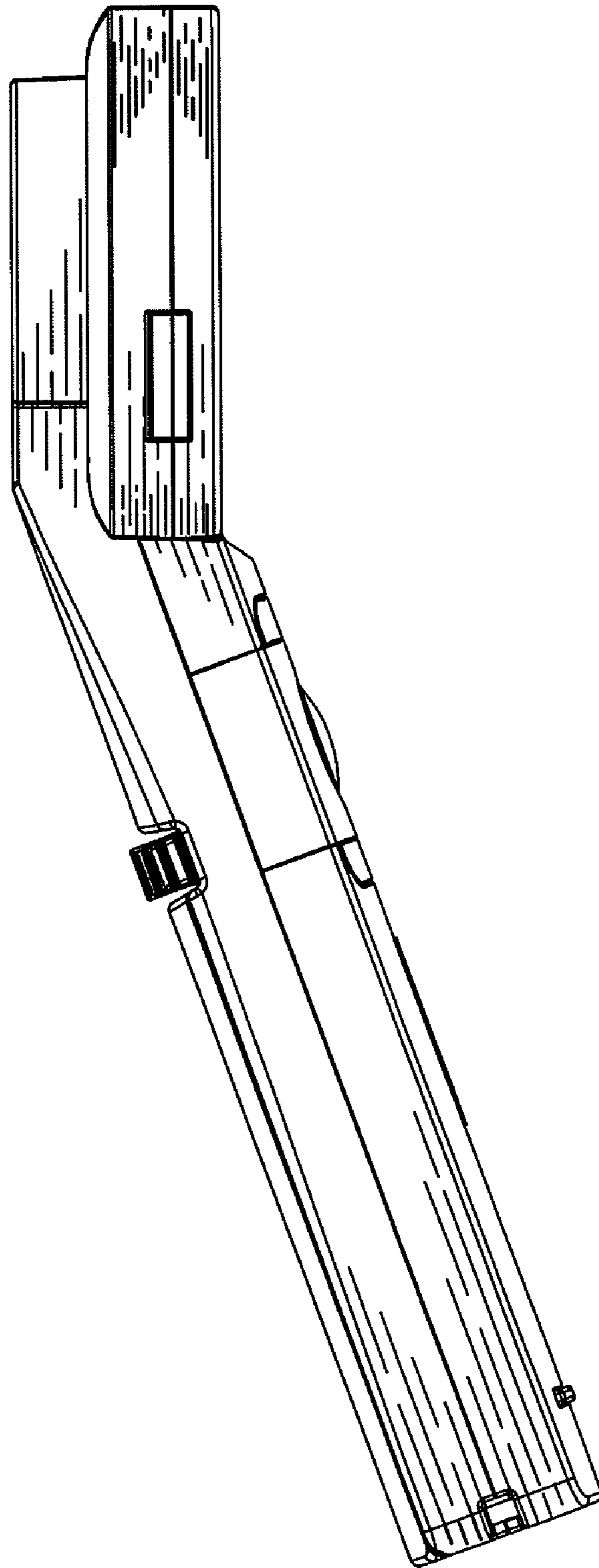
**FIG.2**



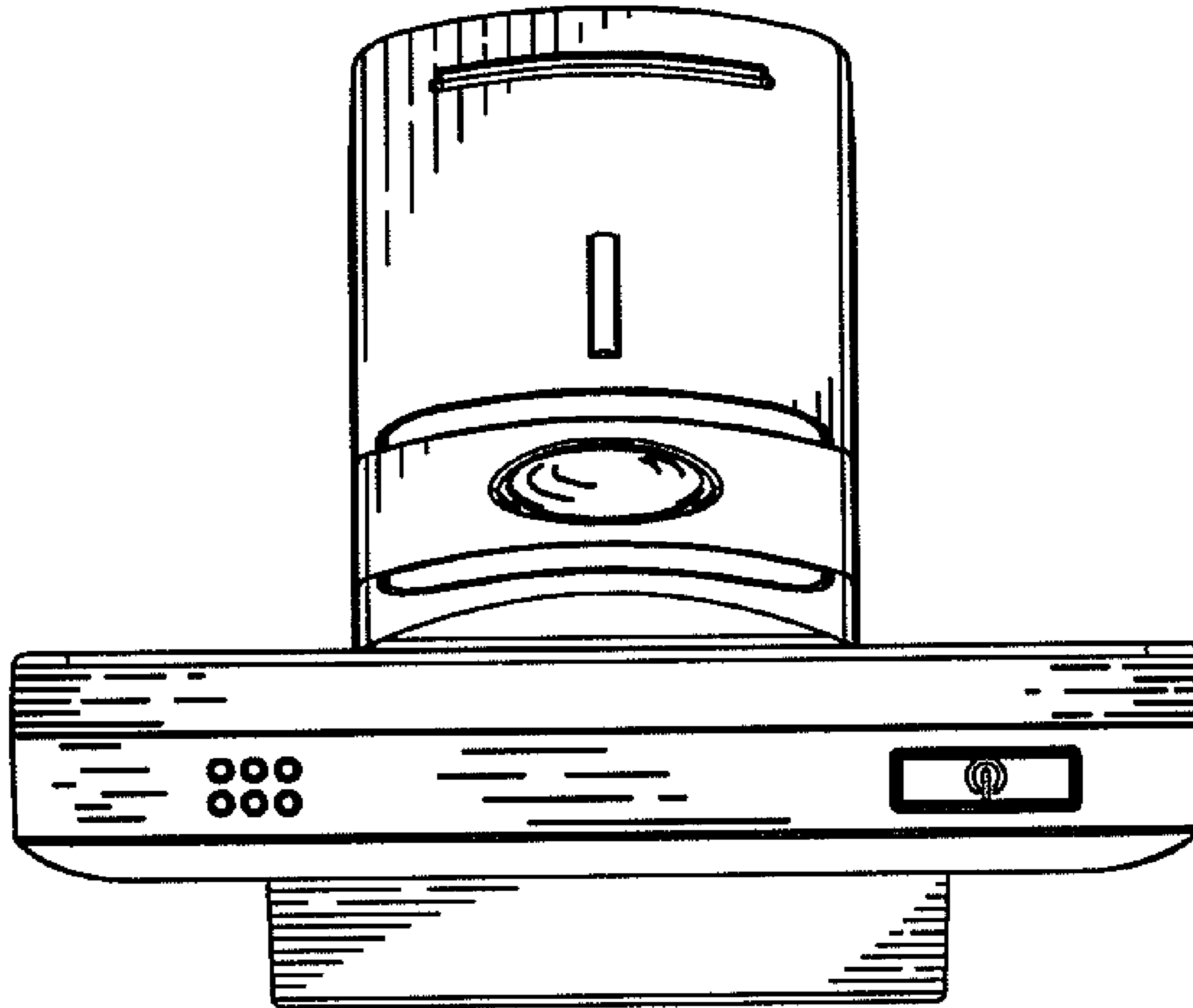
**FIG.3**



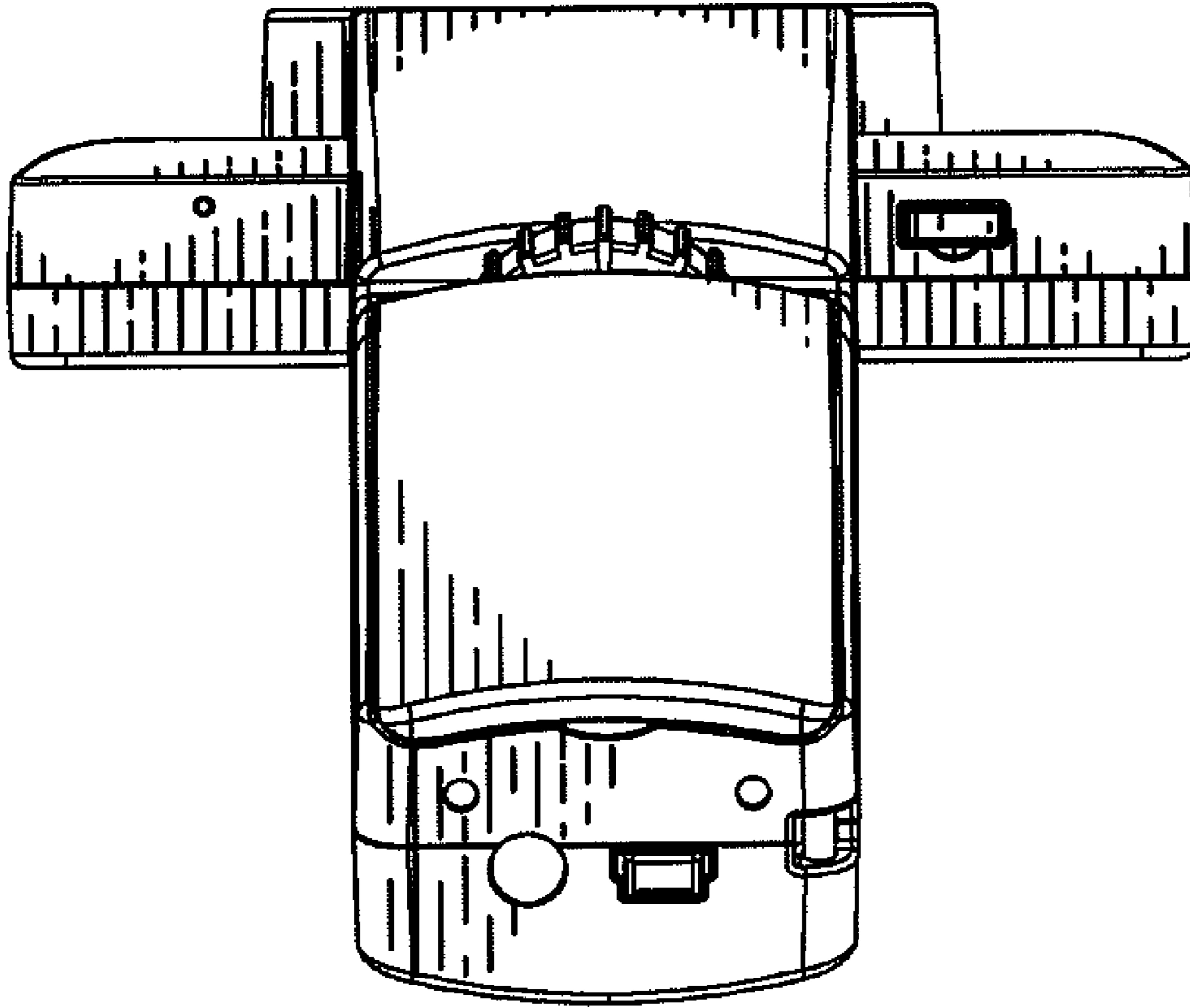
**FIG.4**



**FIG. 5**

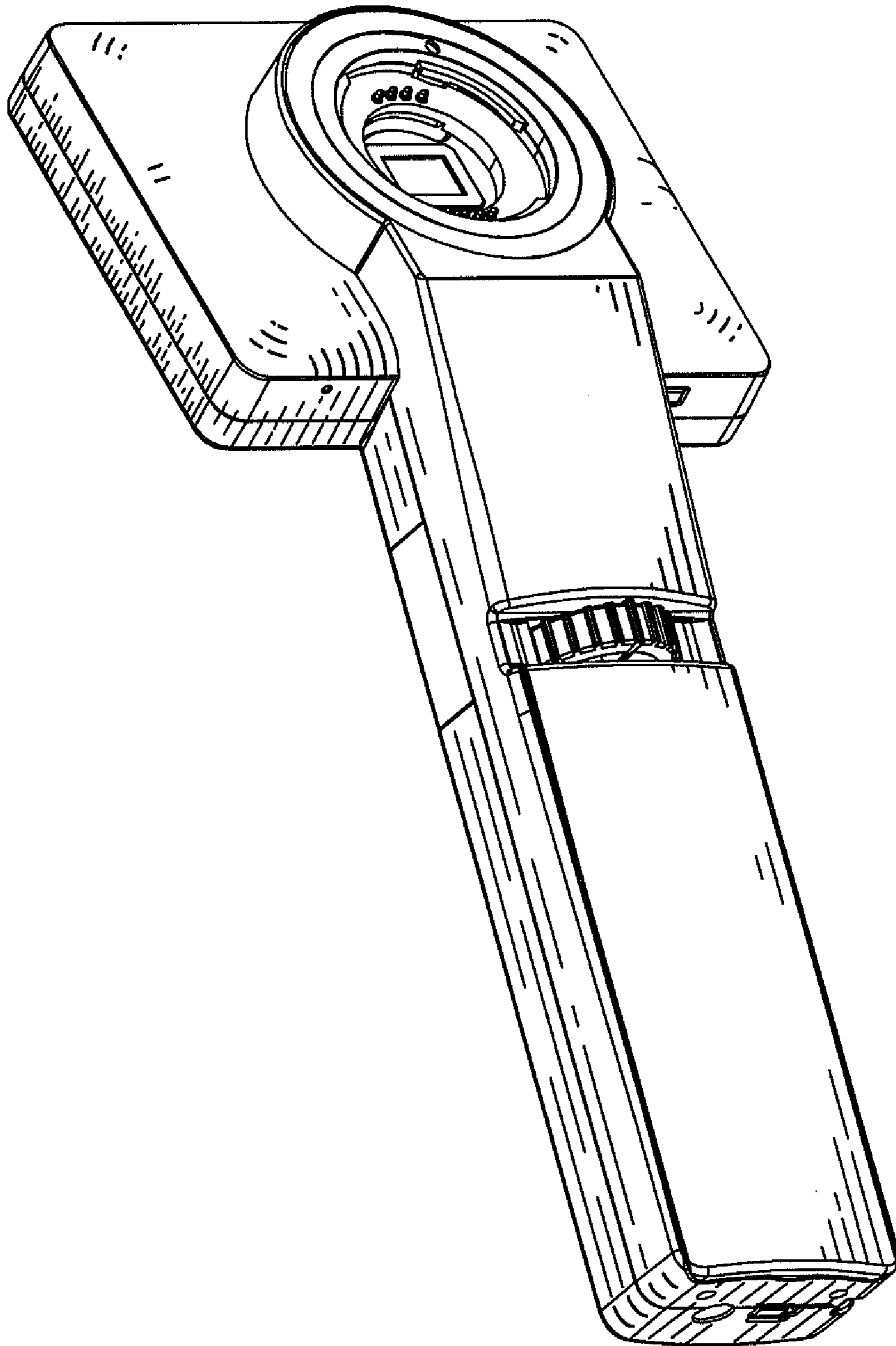


**FIG.6**

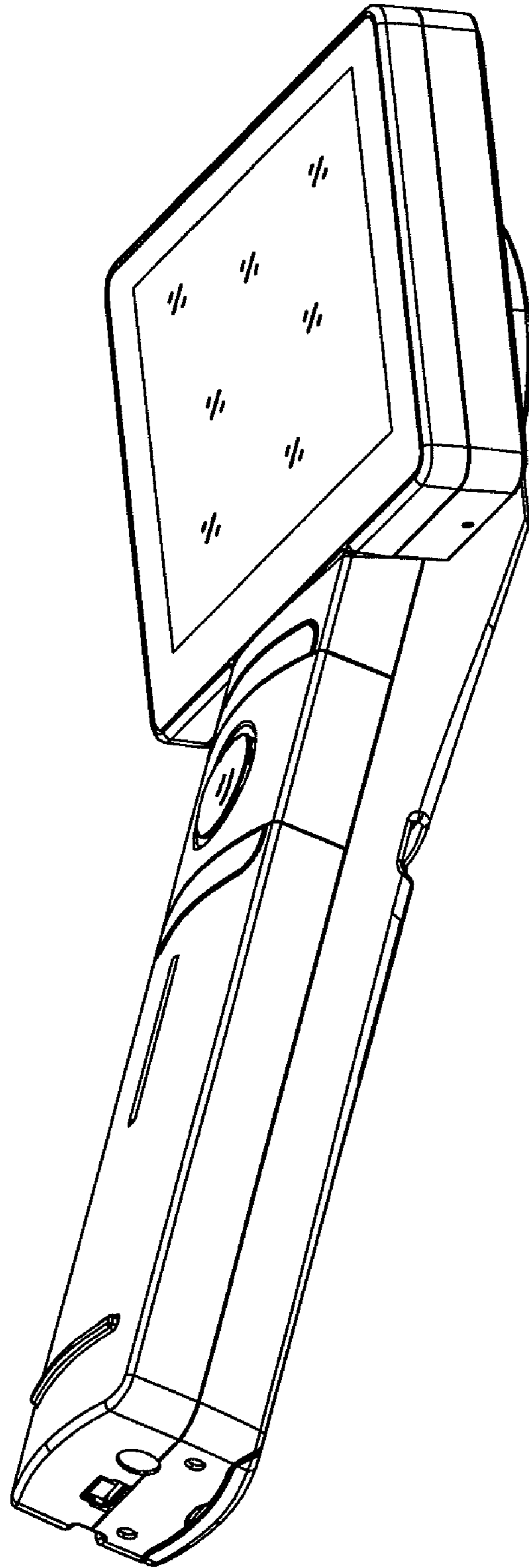


**FIG.7**

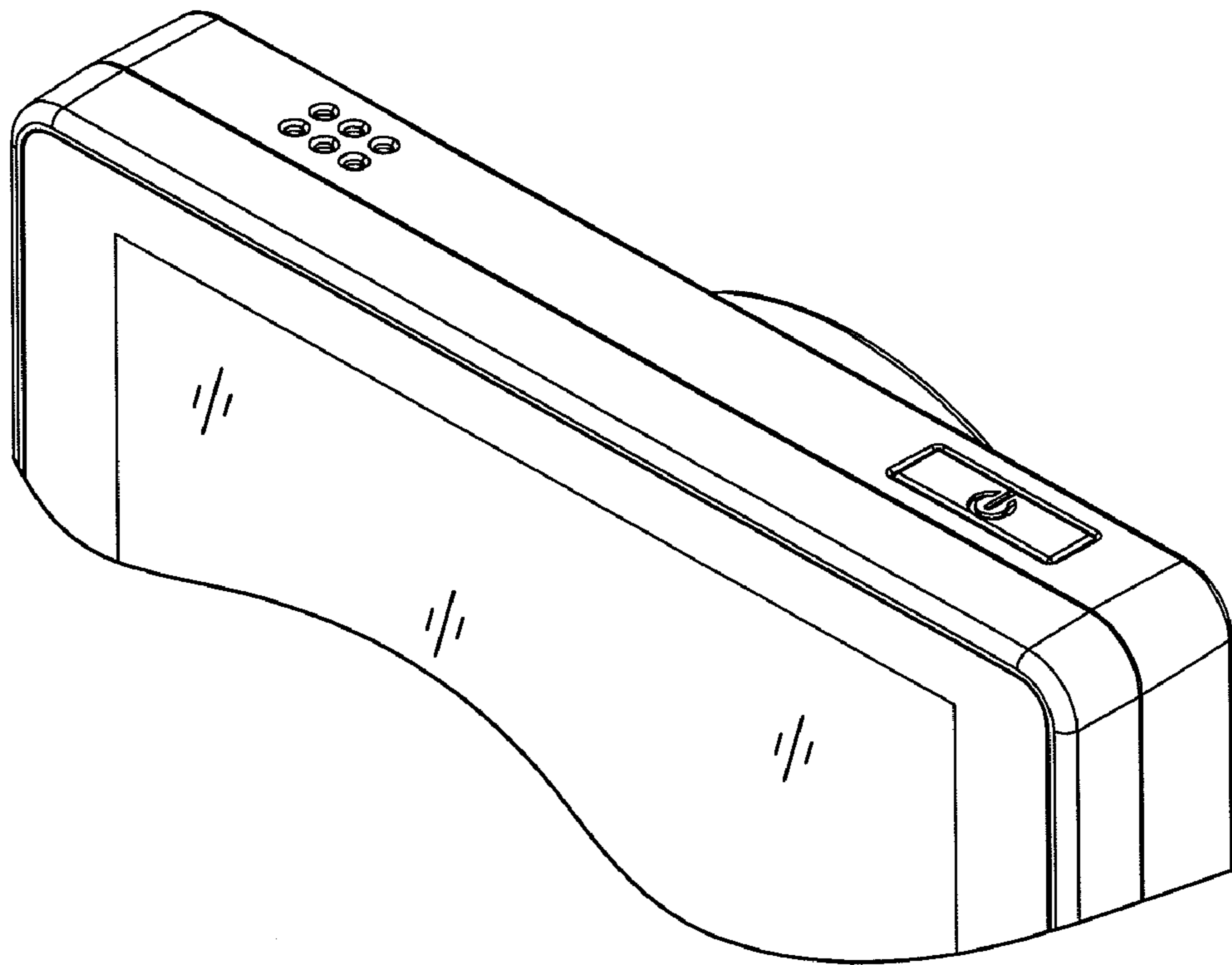




**FIG.8**



**FIG.9**



**FIG.10**