



US00D659836S

(12) **United States Design Patent**
Bensch et al.

(10) **Patent No.:** **US D659,836 S**
(45) **Date of Patent:** **** May 15, 2012**

(54) **PORTABLE HEART MONITOR**
(75) Inventors: **Douglas Bensch**, Seattle, WA (US);
Joseph Kennelly Ullman, Seattle, WA (US)
(73) Assignee: **CardioNet, Inc.**, Conshohocken, PA (US)
(**) Term: **14 Years**
(21) Appl. No.: **29/352,919**
(22) Filed: **Dec. 29, 2009**
(51) **LOC (9) Cl.** **24-02**
(52) **U.S. Cl.** **D24/167**
(58) **Field of Classification Search** D24/164–169,
D24/107, 186, 187; D10/46, 70, 75, 98;
600/301, 481–483, 485, 490, 493–495, 500,
600/503, 509; 128/900
See application file for complete search history.

7,542,878 B2 6/2009 Nanikashvili
D616,993 S * 6/2010 Muis et al. D24/186
D621,048 S * 8/2010 Severe et al. D24/167
D621,515 S * 8/2010 Chua et al. D24/186
D622,857 S * 8/2010 Ramsey D24/186
2009/0112072 A1* 4/2009 Banet et al. 600/301

OTHER PUBLICATIONS

Savi Wireless—Mobile Cardiac Telemetry Brochure, published by at least May 2009, 12 pp., Medicomp, Melbourne, Florida.

* cited by examiner

Primary Examiner — Anhdao Doan
(74) *Attorney, Agent, or Firm* — Fish & Richardson P.C.

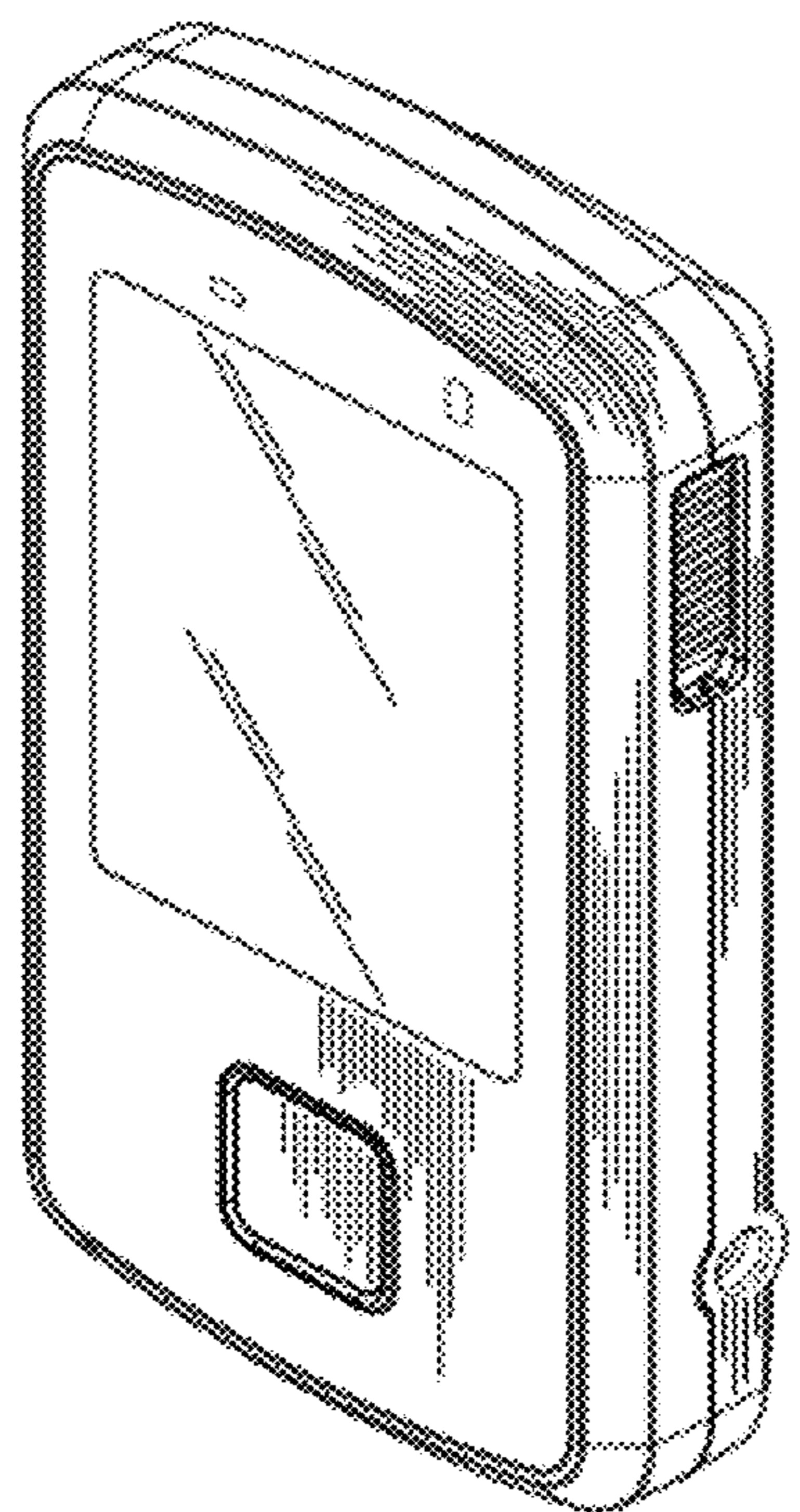
(57) **CLAIM**
The ornamental design for a portable heart monitor, as shown and described.

DESCRIPTION

FIG. 1 is a front side perspective view of the portable heart monitor.
FIG. 2 is a front view of the portable heart monitor.
FIG. 3 is a back view of the portable heart monitor.
FIG. 4 is a right side view of the portable heart monitor.
FIG. 5 is a left side view of the portable heart monitor.
FIG. 6 is a top view of the portable heart monitor; and,
FIG. 7 is a bottom view of the portable heart monitor.
The broken lines in the drawing views are included for the purpose of illustrating portions of the portable heart monitor that form no part of the claimed design.

1 Claim, 4 Drawing Sheets

(56) **References Cited**
U.S. PATENT DOCUMENTS
D377,983 S 2/1997 Sabri
5,931,791 A 8/1999 Saltzstein et al.
D414,870 S 10/1999 Saltzstein et al.
D429,336 S * 8/2000 Francis et al. D24/167
D449,891 S * 10/2001 Moro D24/165
D470,590 S * 2/2003 Maeda et al. D24/167
6,871,089 B2 3/2005 Korzinov et al.
D544,099 S * 6/2007 Umeda et al. D24/167
D582,043 S * 12/2008 Koike et al. D24/165
D583,950 S * 12/2008 Itonaga et al. D24/165
D584,974 S * 1/2009 Fukuda et al. D10/70



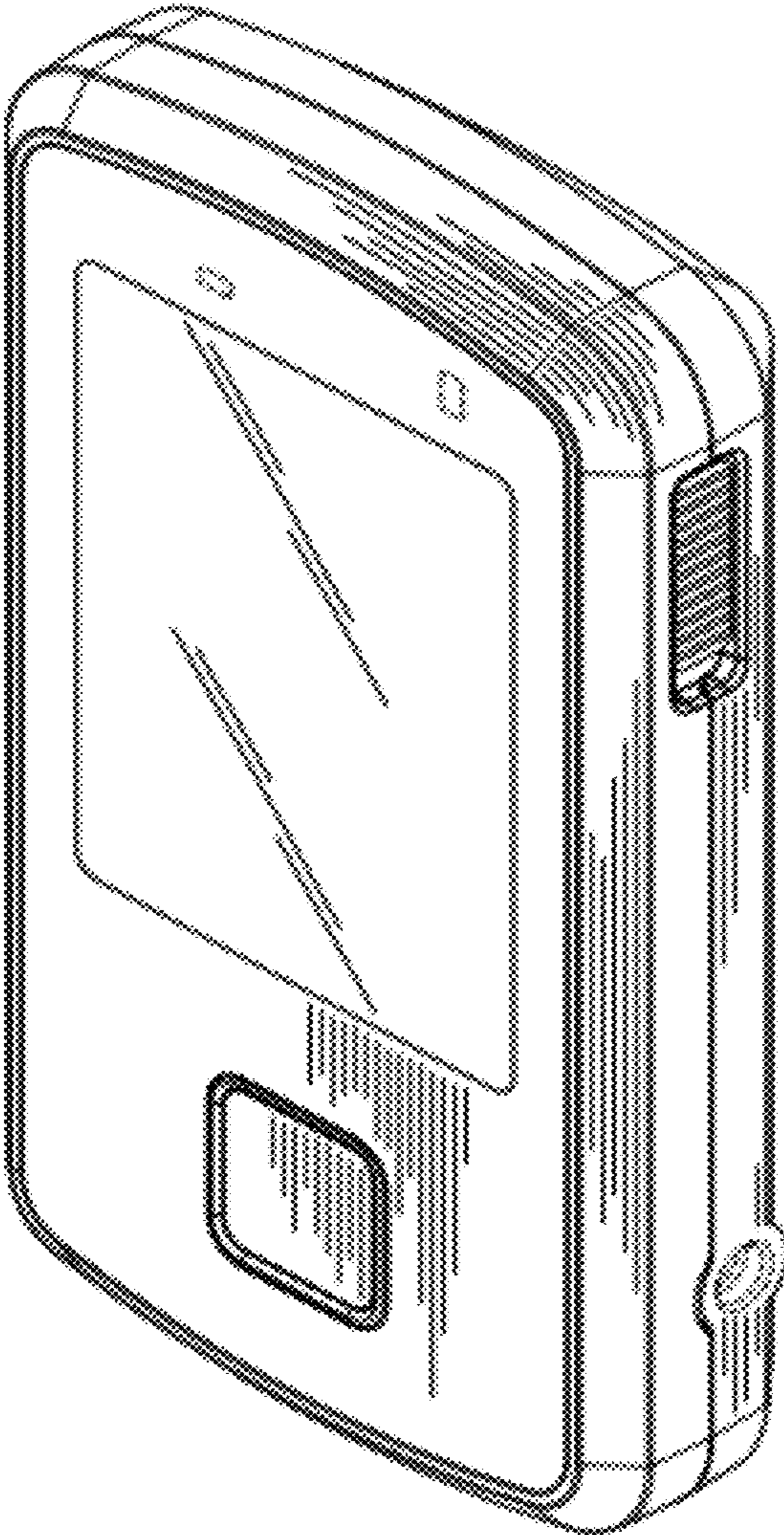


FIG. 1

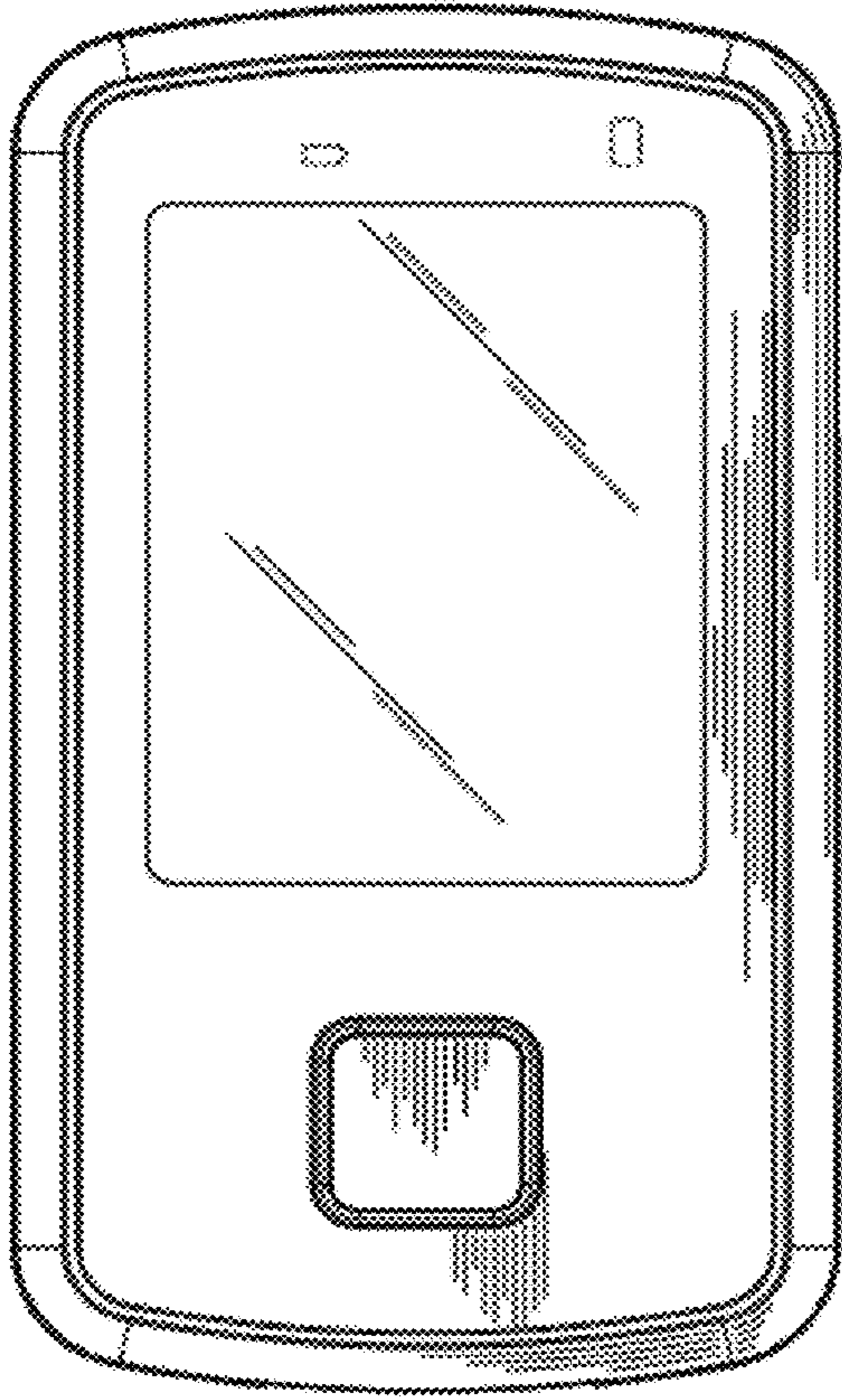


FIG. 2

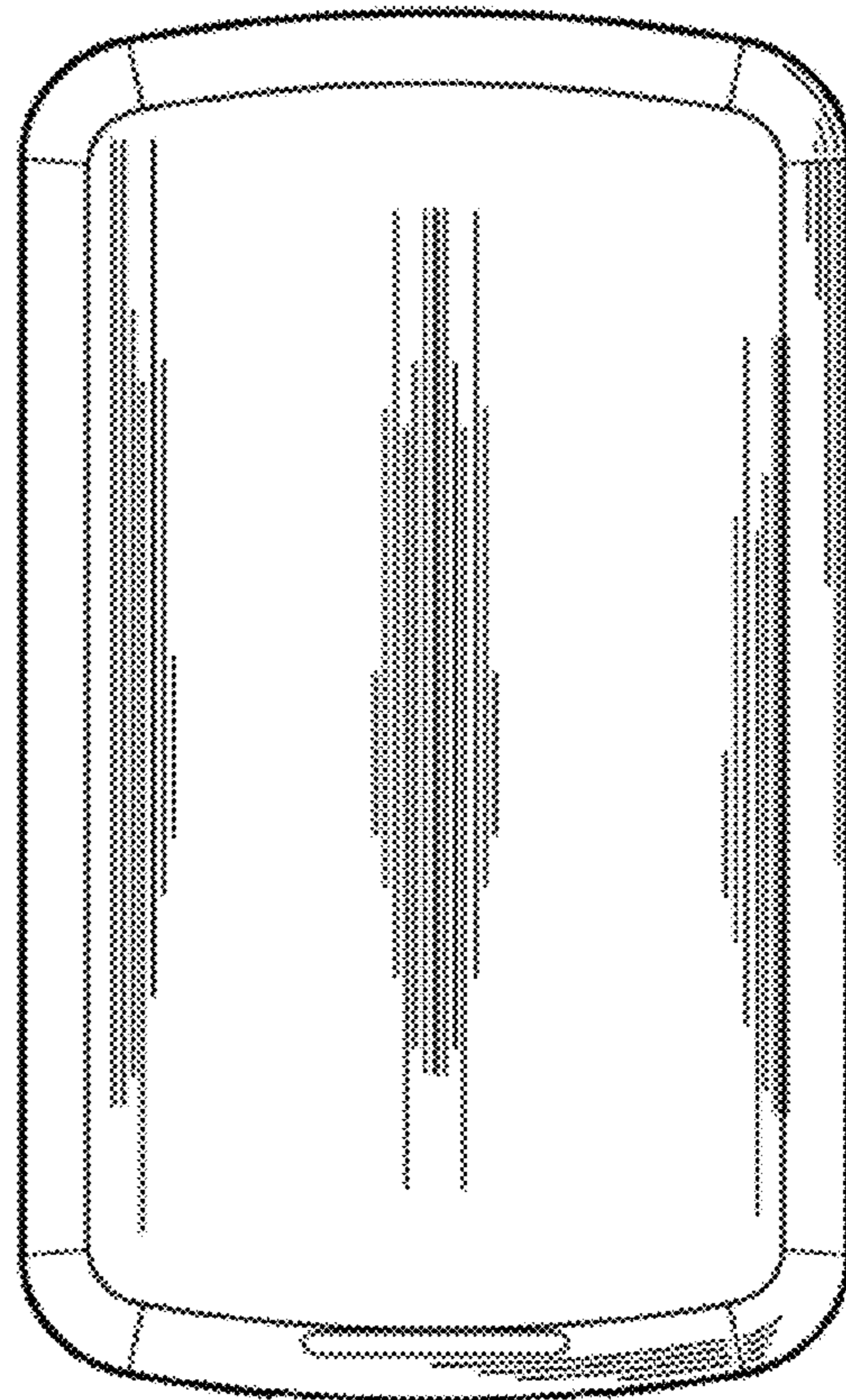


FIG. 3

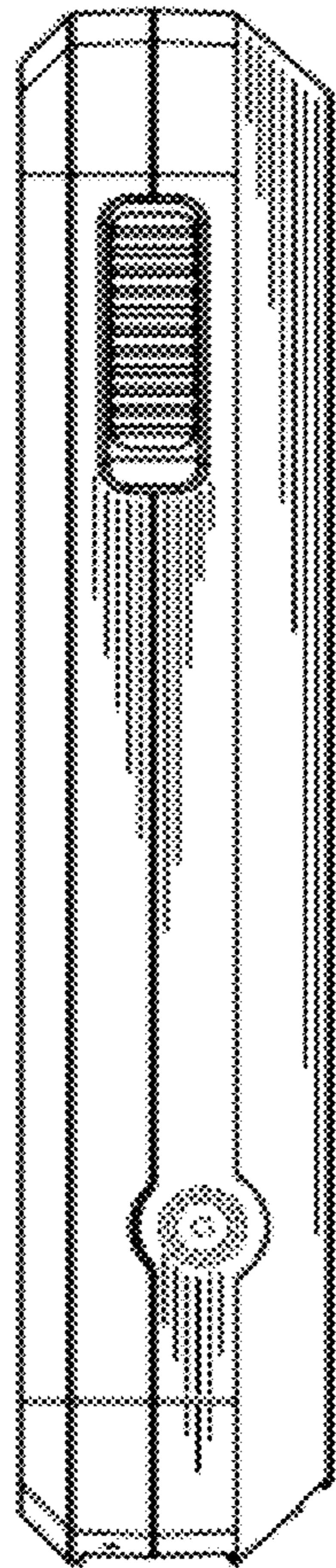


FIG. 4

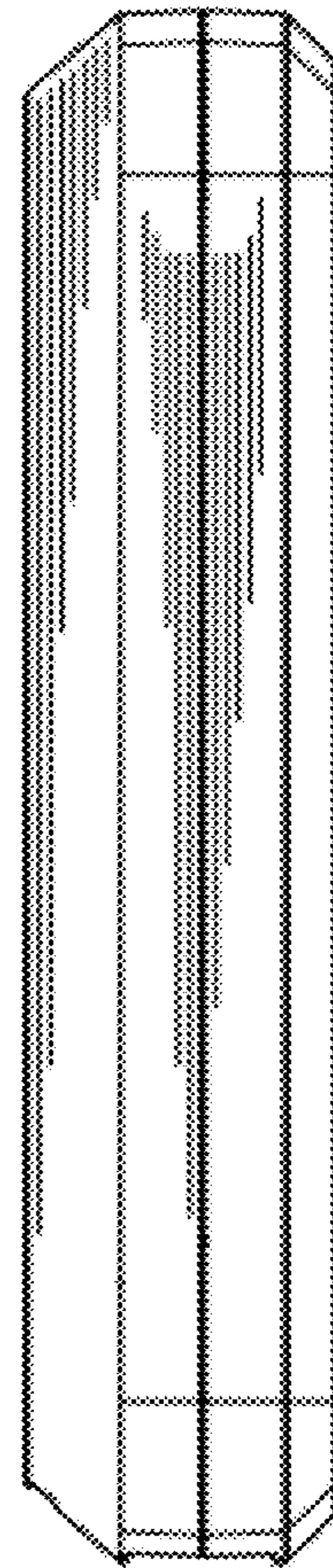


FIG. 5

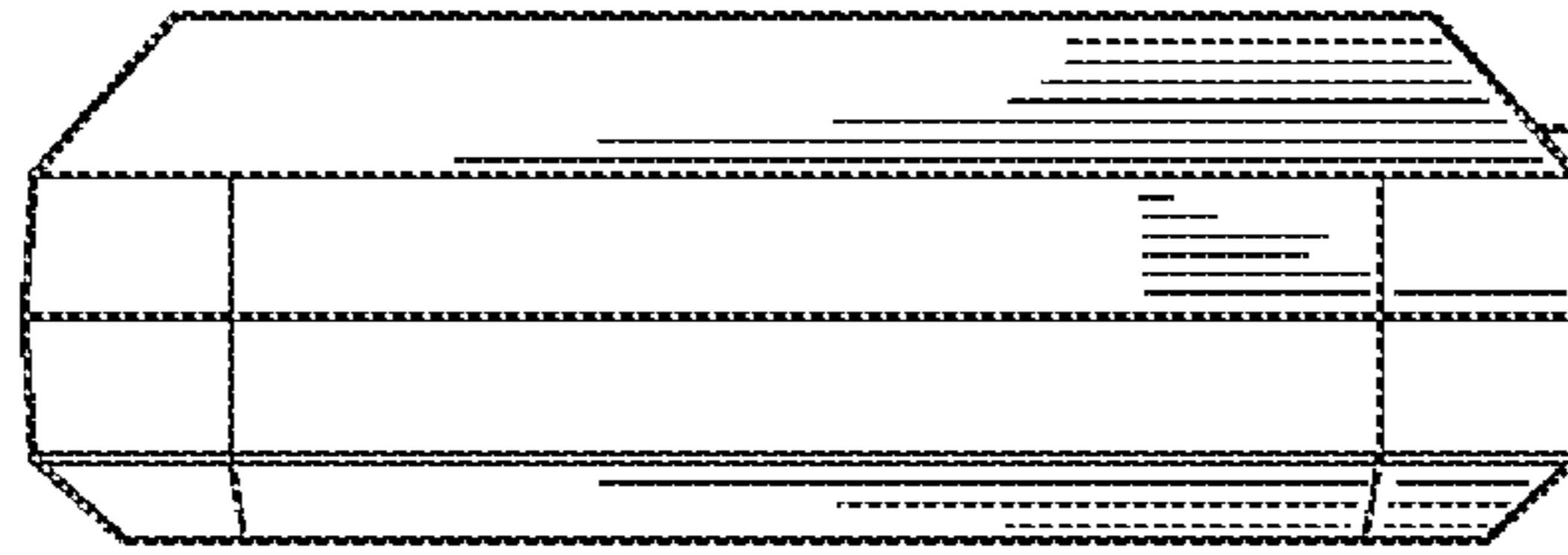


FIG. 6

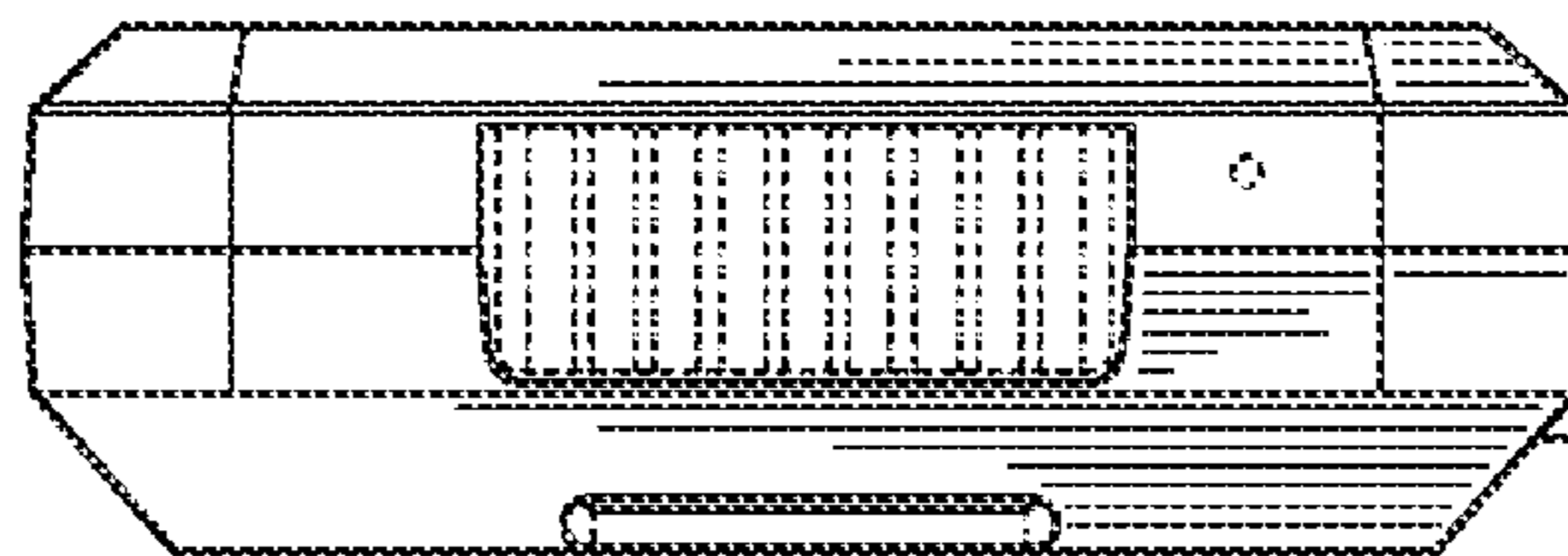


FIG. 7