



US00D659835S

(12) **United States Design Patent**  
**Benson**

(10) **Patent No.:** **US D659,835 S**

(45) **Date of Patent:** **\*\* May 15, 2012**

(54) **SPIROMETER AIRWAY**

(75) Inventor: **Stephen Benson**, Minneapolis, MN (US)

(73) Assignee: **Benson Medical Instruments Company**, Minneapolis, MN (US)

(\*\*) Term: **14 Years**

(21) Appl. No.: **29/388,929**

(22) Filed: **Apr. 4, 2011**

(51) **LOC (9) Cl.** ..... **24-01**

(52) **U.S. Cl.** ..... **D24/164**

(58) **Field of Classification Search** ..... D24/163,  
D24/164, 165, 169, 216, 231, 232, 110, 110.5;  
D10/78, 81, 96; 128/204.18, 205.24; 73/23.3;  
600/529, 532, 533, 538, 540, 541, 542; 422/84  
See application file for complete search history.

(56) **References Cited**

**U.S. PATENT DOCUMENTS**

D266,695 S *	10/1982	Tramml et al. ....	D24/110
D333,004 S *	2/1993	McNamee et al. ....	D24/164
D335,343 S *	5/1993	Jones et al. ....	D24/110
D370,065 S *	5/1996	Squillante et al. ....	D24/169
5,789,660 A *	8/1998	Kofoed et al. ....	73/23.3
D411,010 S *	6/1999	Harbrecht et al. ....	D24/164
D413,825 S *	9/1999	Storsved .....	D10/96
D541,419 S *	4/2007	Jones, Jr. ....	D24/164
D542,913 S *	5/2007	Aspinall et al. ....	D24/110.5
D556,908 S *	12/2007	Jones et al. ....	D24/164
D585,555 S *	1/2009	Miller .....	D24/169

\* cited by examiner

*Primary Examiner* — Anhdao Doan

(74) *Attorney, Agent, or Firm* — Patterson Thunte Christensen Pedersen, P.A.

(57) **CLAIM**

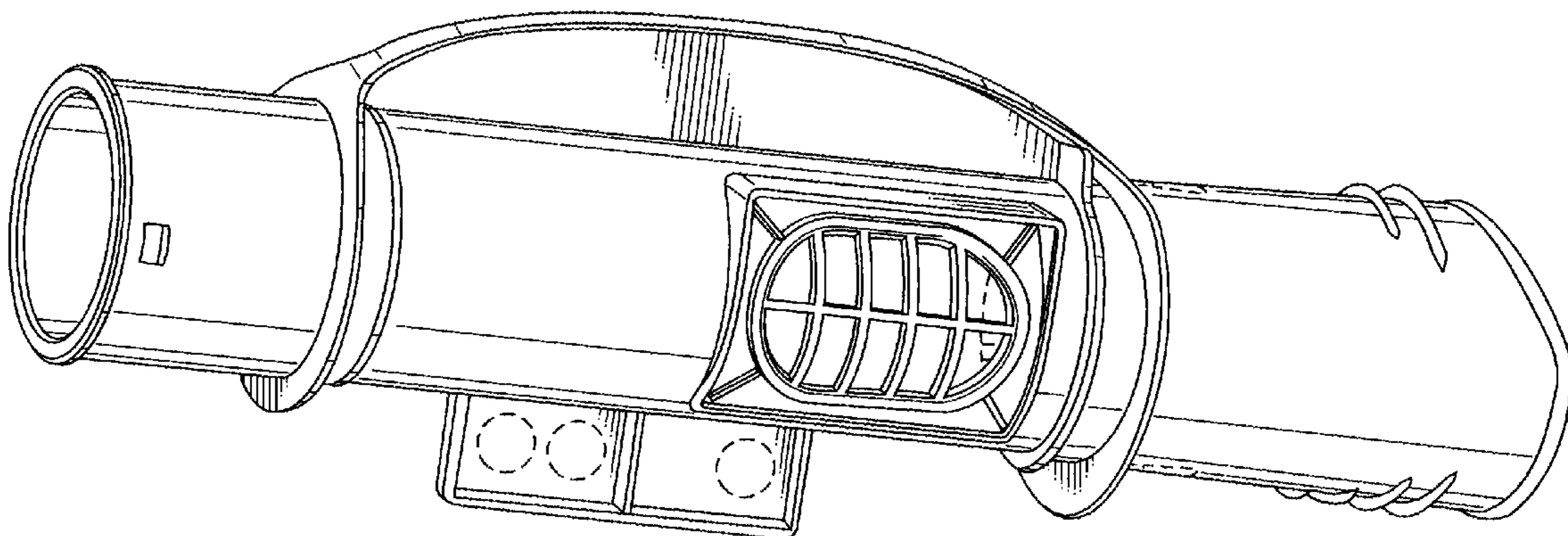
The ornamental design for a spirometer airway, as shown and described.

**DESCRIPTION**

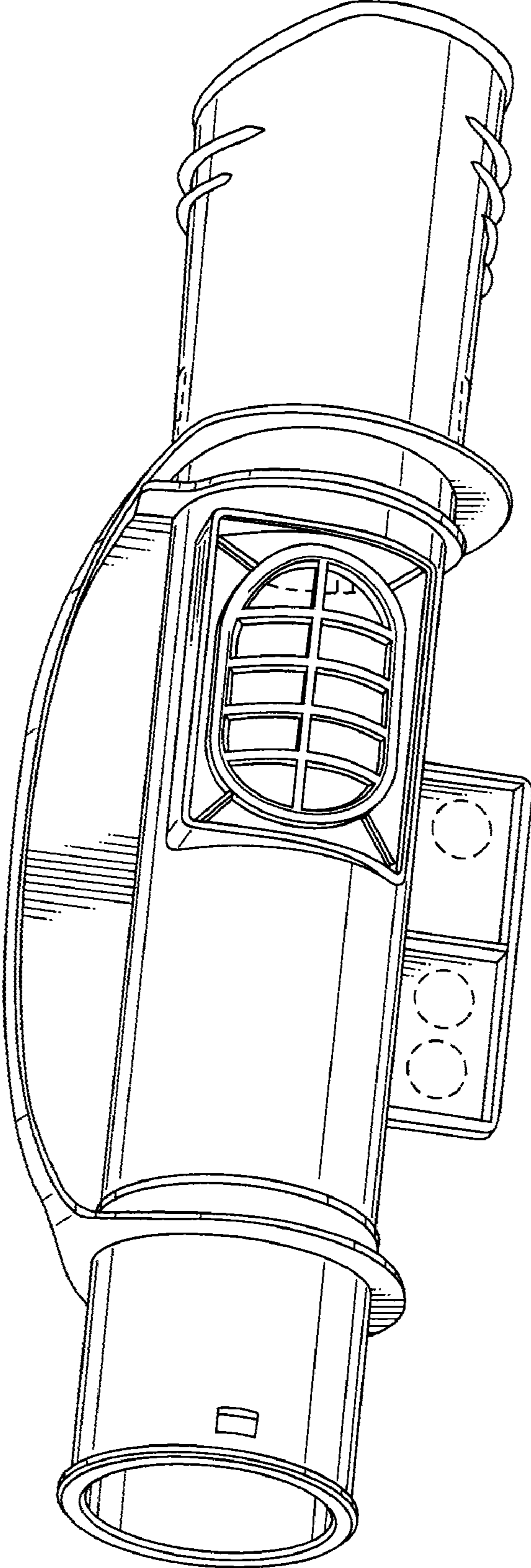
FIG. 1 is a perspective view of a spirometer airway according to the invention;  
FIG. 2 is a right side elevation view of the spirometer airway of FIG. 1;  
FIG. 3 is a left side elevation view of the spirometer airway of FIG. 1;  
FIG. 4 is a rear elevation view of the spirometer airway of FIG. 1;  
FIG. 5 is a front elevation view of the spirometer airway of FIG. 1;  
FIG. 6 is a top plan view of the spirometer airway of FIG. 1; and,  
FIG. 7 is a bottom plan view of the spirometer airway of FIG. 1.

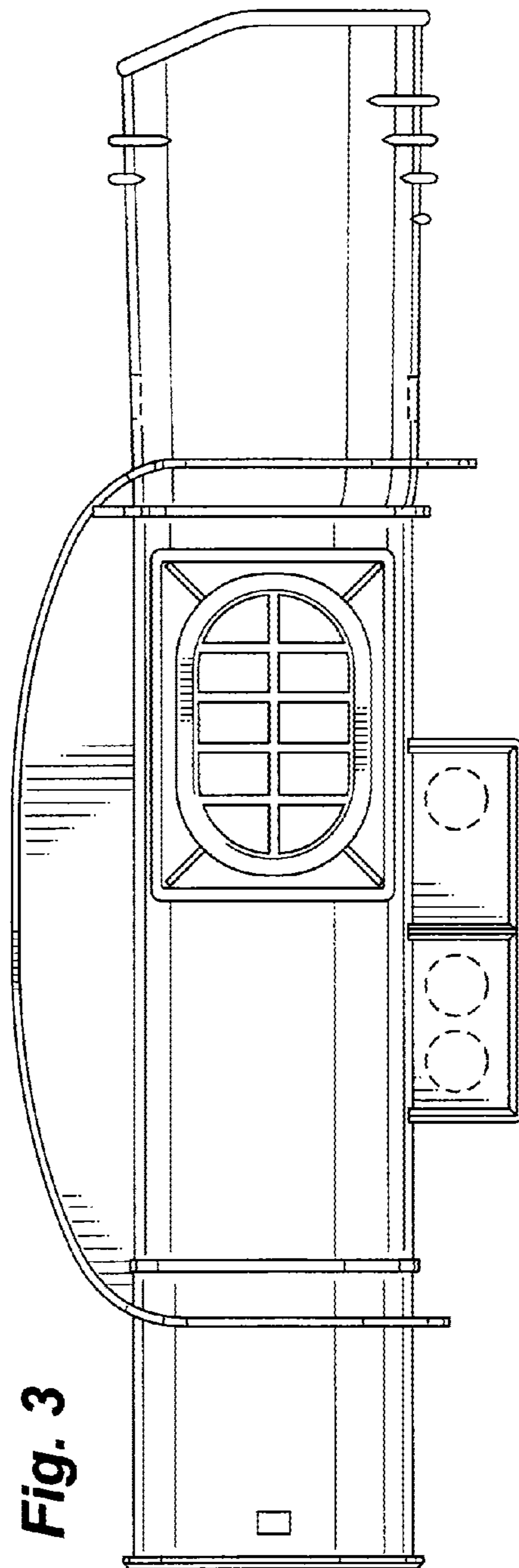
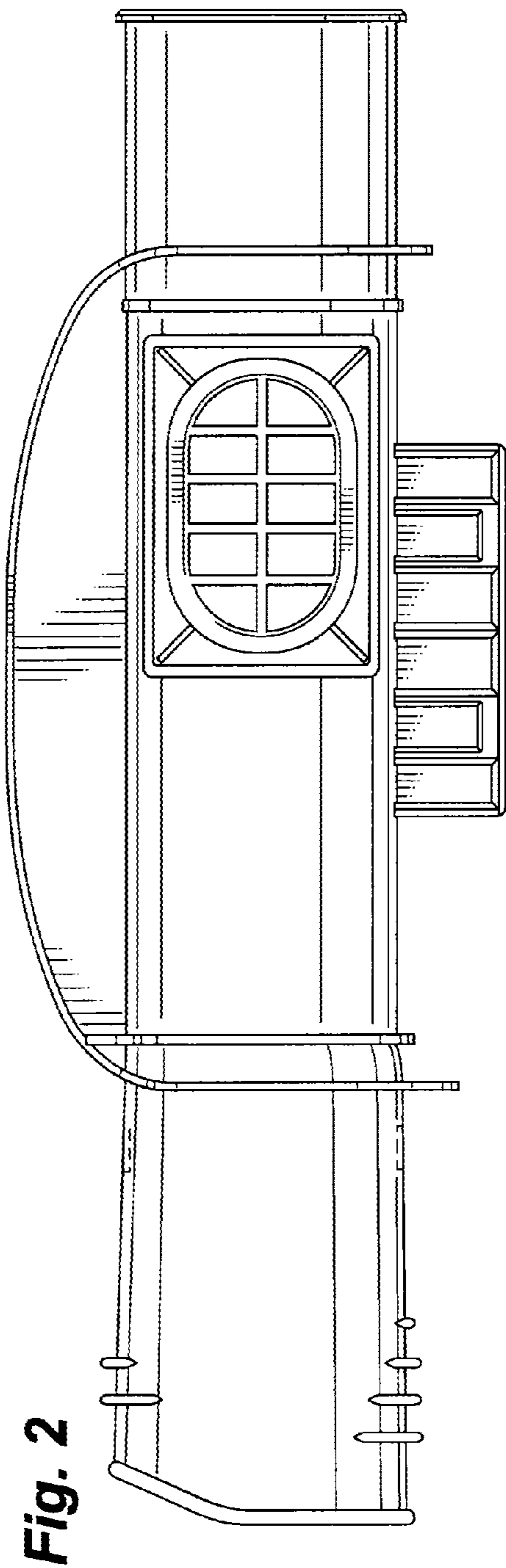
The broken lines in figure views are included for the purpose of illustrating portions of the spirometer airway that form no part of the claimed design.

**1 Claim, 4 Drawing Sheets**

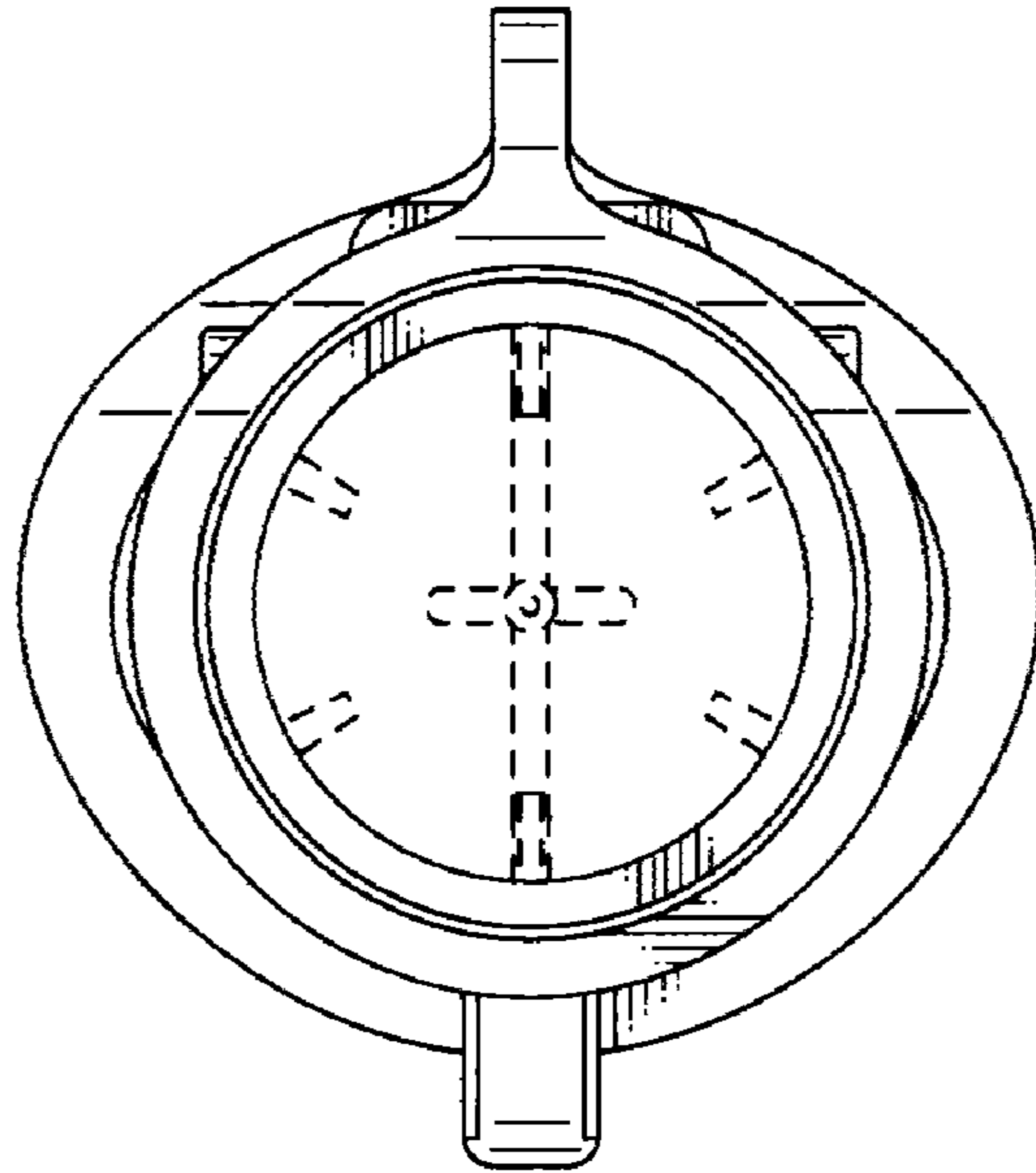


**Fig. 1**





**Fig. 4**



**Fig. 5**

