



US00D659834S

(12) **United States Design Patent**
Basford et al.

(10) **Patent No.:** **US D659,834 S**

(45) **Date of Patent:** **** May 15, 2012**

(54) **GAS CYLINDER**

(75) Inventors: **Adrian Nicholas Basford**, Nottingham (GB); **Andrew John Norwood**, Leicestershire (GB); **Warren Hepples**, East Bridgford (GB); **Graeme Antony Maisey**, Chessington (GB); **Ian Dera**, London (GB); **Michael Raymond Clinch**, Riverside, CA (US)

(73) Assignee: **Luxfer Gas Cylinders Limited**, Salford (GB)

(**) Term: **14 Years**

(21) Appl. No.: **29/378,003**

(22) Filed: **Oct. 28, 2010**

(30) **Foreign Application Priority Data**

Apr. 30, 2010 (GB) 4015437

(51) **LOC (9) Cl.** **24-01**

(52) **U.S. Cl.** **D24/164**

(58) **Field of Classification Search** D24/163, D24/164, 165, 169, 216, 231, 232, 110, 110.5; D23/204, 205, 206, 211.1; D9/690; D3/203.7; 128/204.18, 204.25, 205.15, 205.18, 205.24; 141/3, 4

See application file for complete search history.

(56) **References Cited**

U.S. PATENT DOCUMENTS

D297,869 S * 9/1988 Bartos D24/110
D320,486 S * 10/1991 Nelepka D24/164

D326,167 S * 5/1992 Williamson D24/164
D437,056 S * 1/2001 Remes et al. D24/164
D510,437 S * 10/2005 Lang et al. D24/164
6,955,194 B2 * 10/2005 MacNeal et al. 141/4
D555,225 S * 11/2007 McCormack et al. D23/205
D566,807 S * 4/2008 Oliveira et al. D23/205
D643,122 S * 8/2011 Basford et al. D24/164
D643,123 S * 8/2011 Basford et al. D24/164
D643,124 S * 8/2011 Basford et al. D24/164
2006/0065672 A1 3/2006 Lecourt et al.

* cited by examiner

Primary Examiner — Anhdao Doan

(74) *Attorney, Agent, or Firm* — Winstead PC

(57) **CLAIM**

The ornamental design for a gas cylinder, as shown and described.

DESCRIPTION

FIG. 1 is a front view of a gas cylinder in accordance with the design;

FIG. 2 is a left side view thereof;

FIG. 3 is a right side view thereof;

FIG. 4 is a rear view thereof;

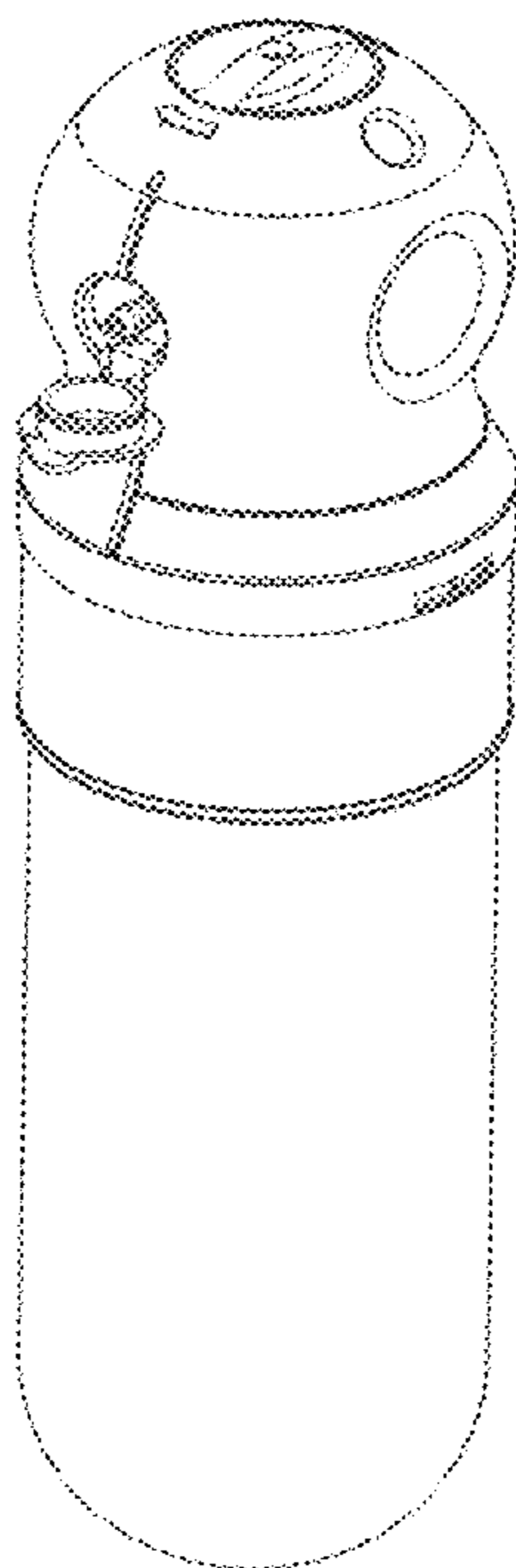
FIG. 5 is a front and left side perspective view thereof;

FIG. 6 is a front and left side perspective view thereof in an open configuration;

FIG. 7 is a front and right side perspective view thereof; and, FIG. 8 is an enlarged top view thereof.

The broken lines in the drawing views are included for the purpose of illustrating portions of the gas cylinder that form no part of the claimed design.

1 Claim, 8 Drawing Sheets



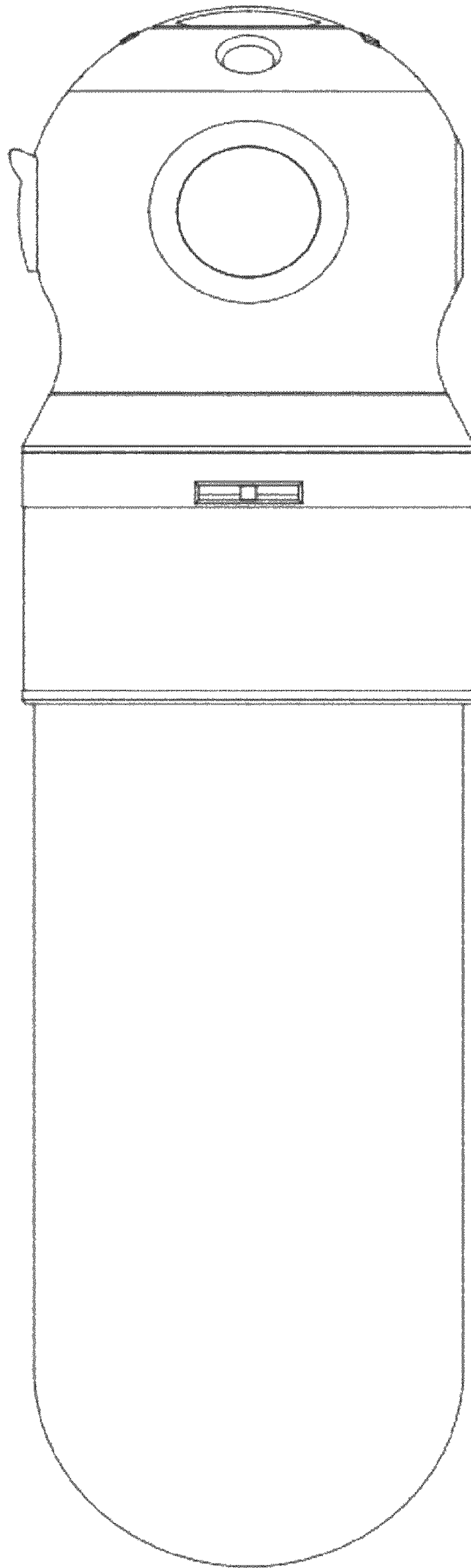


FIG. 1

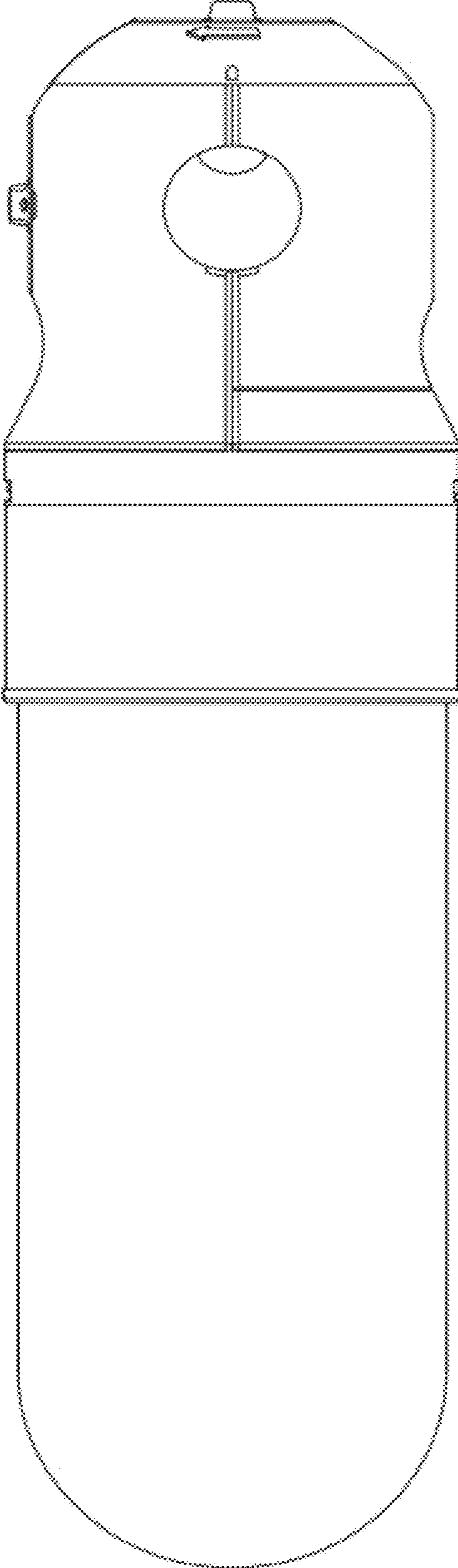


FIG. 2

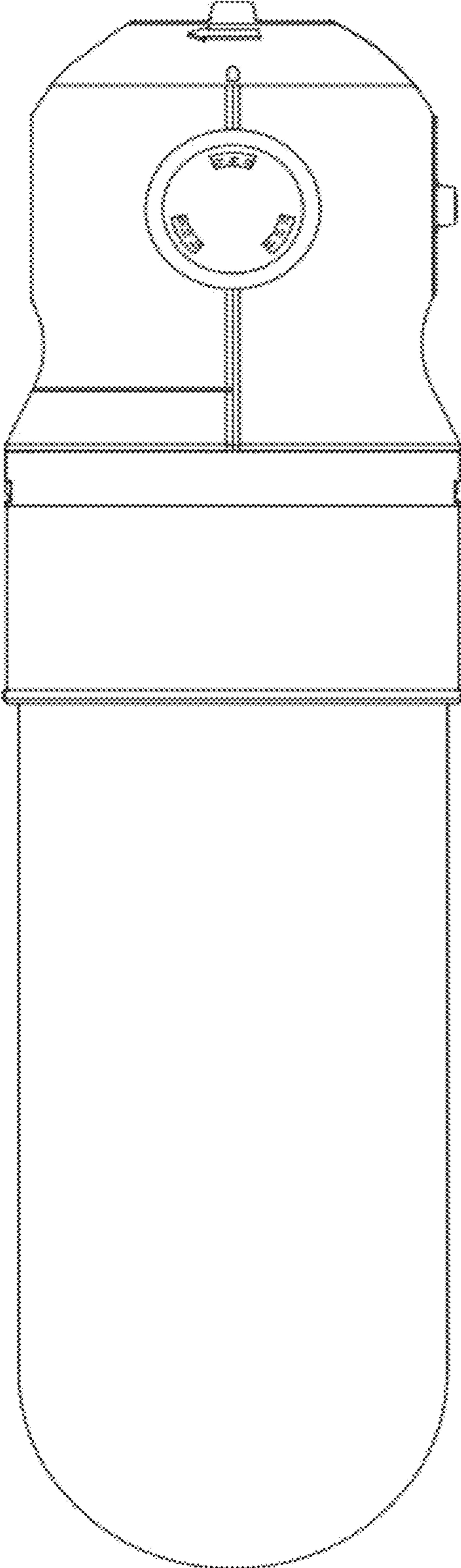


FIG. 3

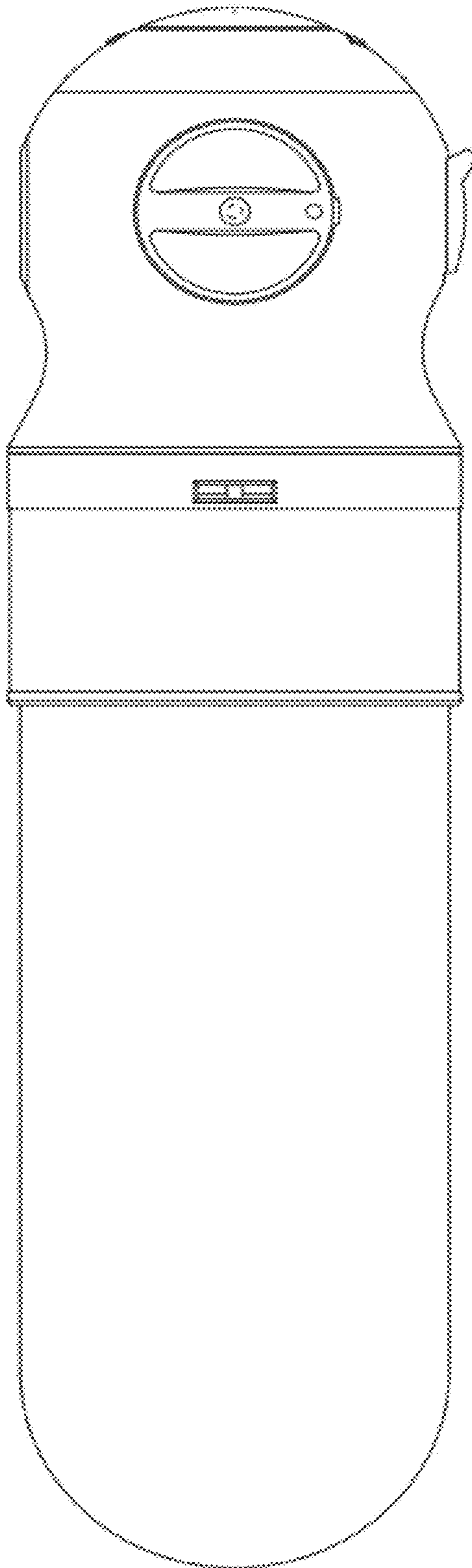


FIG. 4

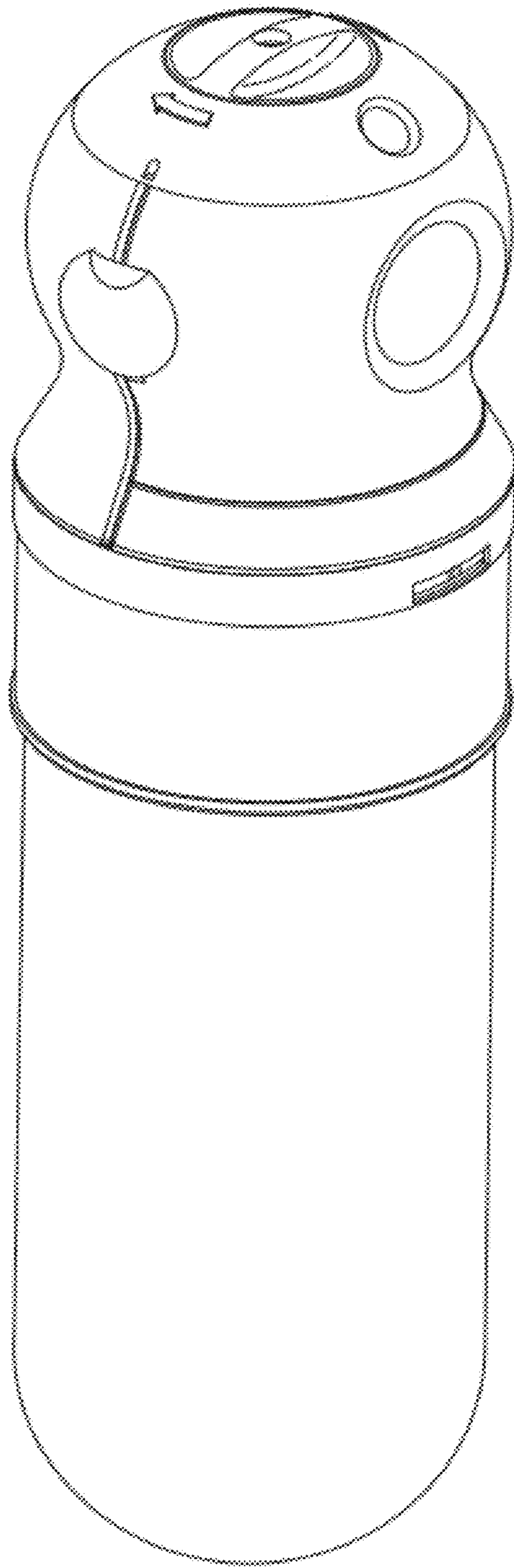


FIG. 5

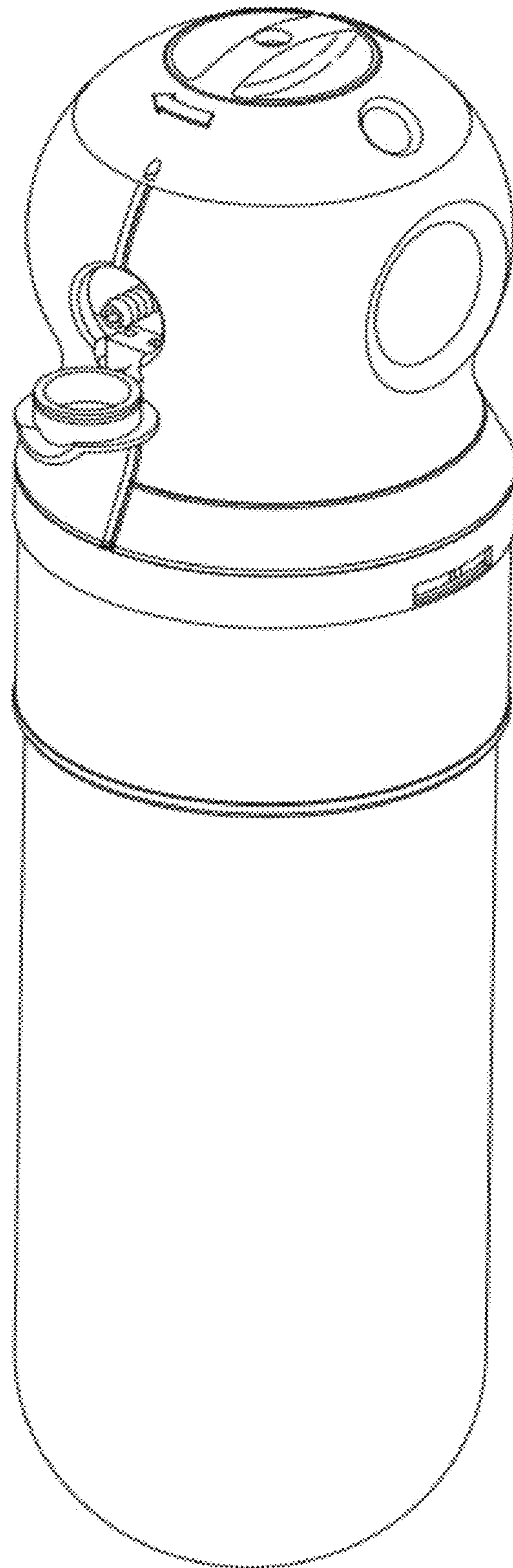


FIG. 6

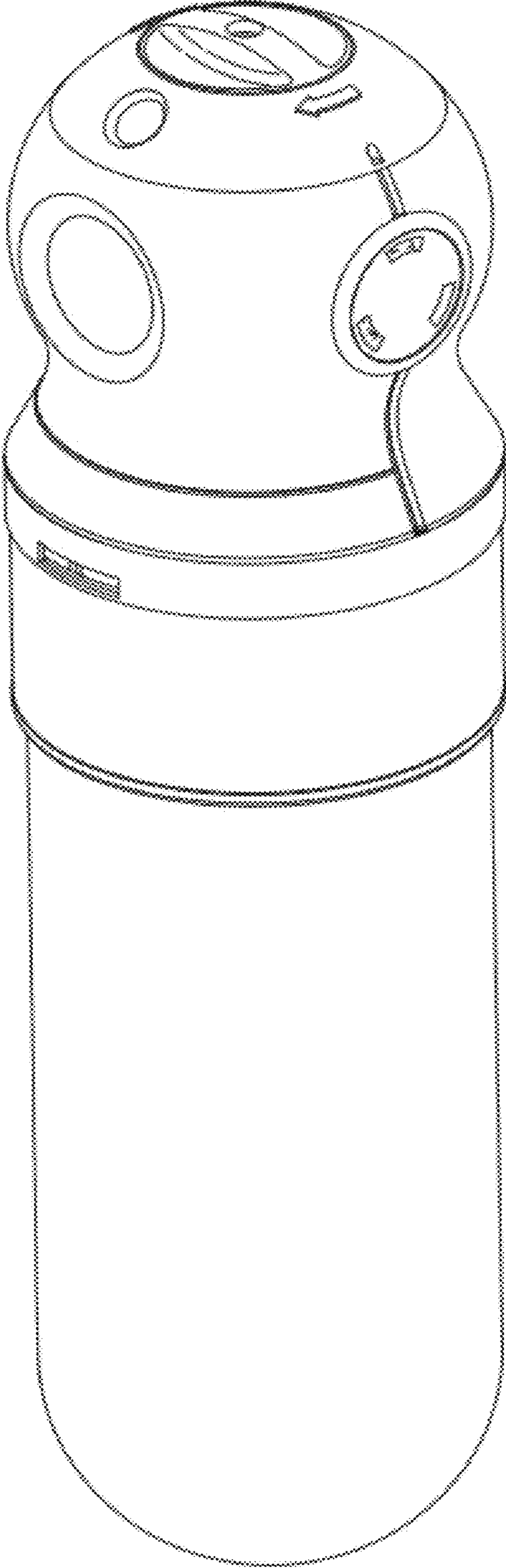


FIG. 7

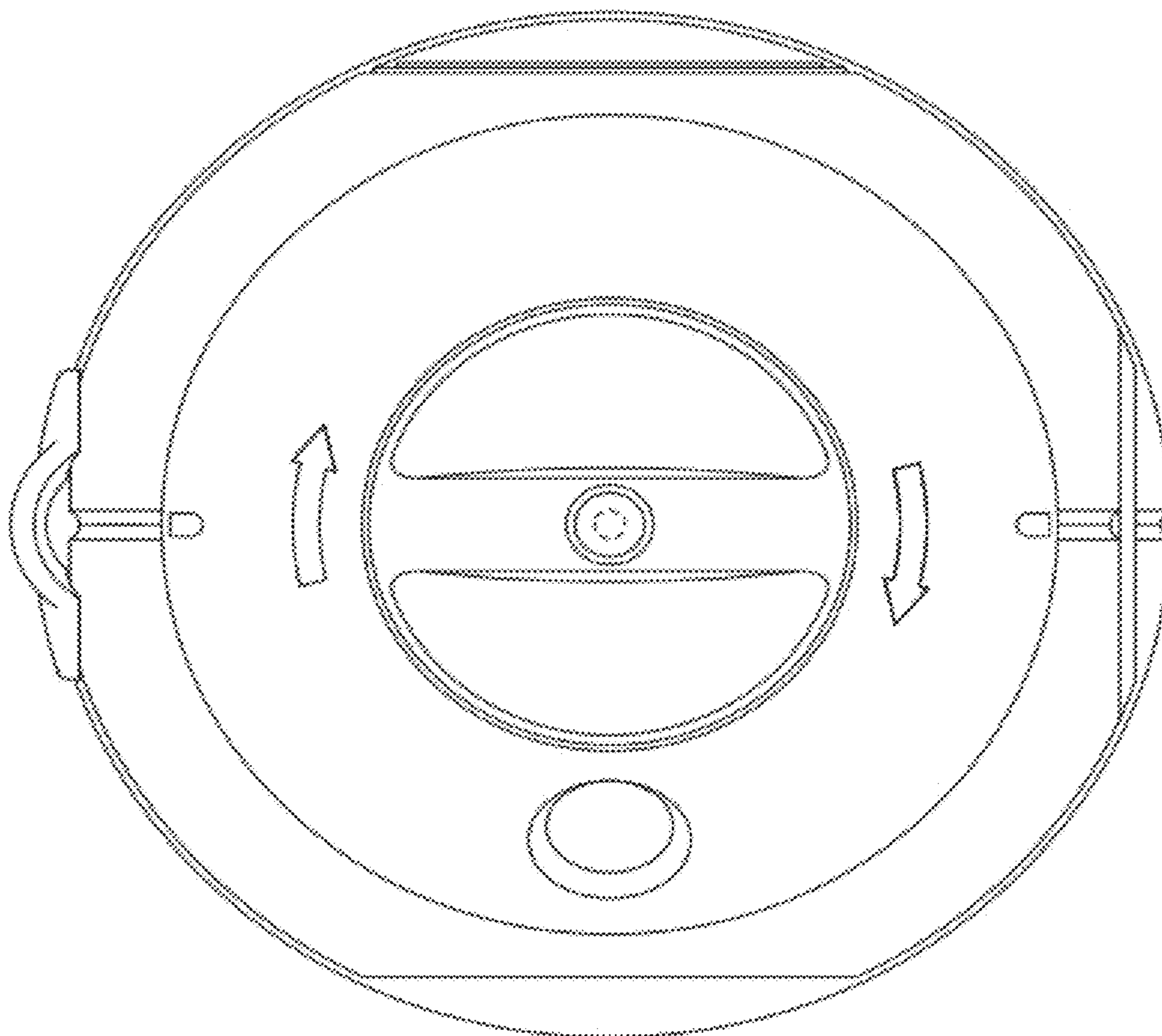


FIG. 8