



US00D659833S

(12) **United States Design Patent**
Ogura

(10) **Patent No.:** **US D659,833 S**

(45) **Date of Patent:** **** May 15, 2012**

(54) **MAMMOGRAPHY EQUIPMENT**

(75) **Inventor:** **Ryosuke Ogura, Ashigarakami-gun (JP)**

(73) **Assignee:** **FUJIFILM Corporation, Tokyo (JP)**

(**) **Term:** **14 Years**

(21) **Appl. No.:** **29/397,659**

(22) **Filed:** **Jul. 19, 2011**

(30) **Foreign Application Priority Data**

Jan. 27, 2011 (JP) 2011-001747

(51) **LOC (9) Cl.** **24-01**

(52) **U.S. Cl.** **D24/158**

(58) **Field of Classification Search** D24/158-161,
D24/186; 378/37, 62, 68, 155, 195-198,
378/208

See application file for complete search history.

(56) **References Cited**

U.S. PATENT DOCUMENTS

D208,284 S * 8/1967 Waine D24/158
D315,207 S * 3/1991 Korvenmaa D24/158

D331,110 S * 11/1992 Virta et al. D24/158
D342,137 S * 12/1993 Guentner D24/158
D487,805 S * 3/2004 Kondo D24/158
D563,553 S * 3/2008 Saito et al. D24/158
7,940,890 B1 * 5/2011 Linev 378/37
2007/0221859 A1 * 9/2007 Nakata 250/370.09
2009/0213986 A1 * 8/2009 Thaler 378/37
2009/0268866 A1 * 10/2009 Hoheisel 378/37
2011/0087132 A1 * 4/2011 DeFreitas et al. 378/62

* cited by examiner

Primary Examiner — Anhdao Doan

(74) *Attorney, Agent, or Firm* — Sughrue Mion, PLLC

(57) **CLAIM**

The ornamental design for a mammography equipment, as shown and described.

DESCRIPTION

FIG. 1 is a top, front and side perspective view of a mammography equipment showing my new design; FIG. 2 is a front elevational view thereof; FIG. 3 is a rear elevational view thereof; FIG. 4 is a top plan view thereof; FIG. 5 is a bottom plan view thereof; and, FIG. 6 is a left side elevational view thereof

1 Claim, 6 Drawing Sheets

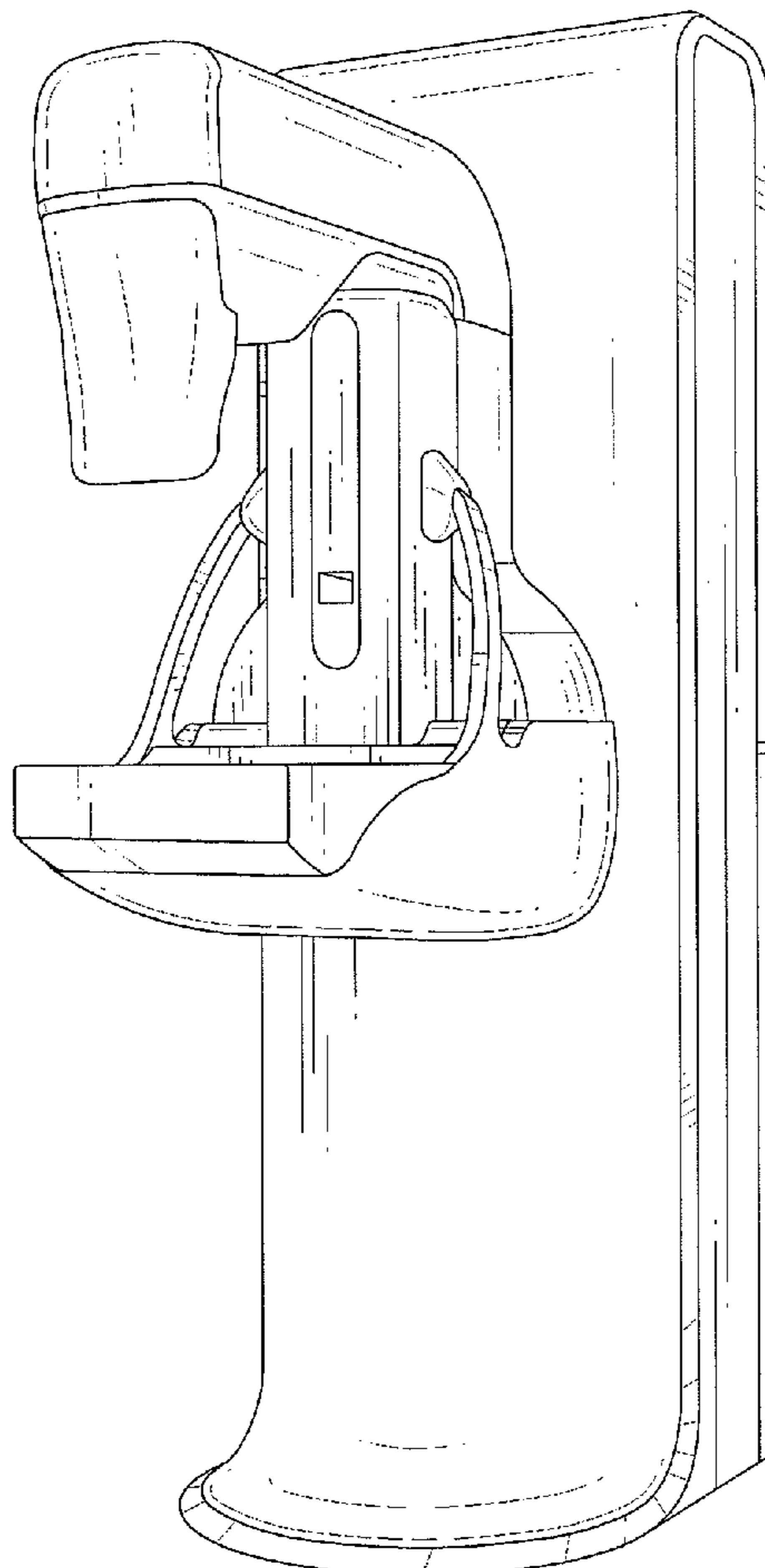


FIG. 1

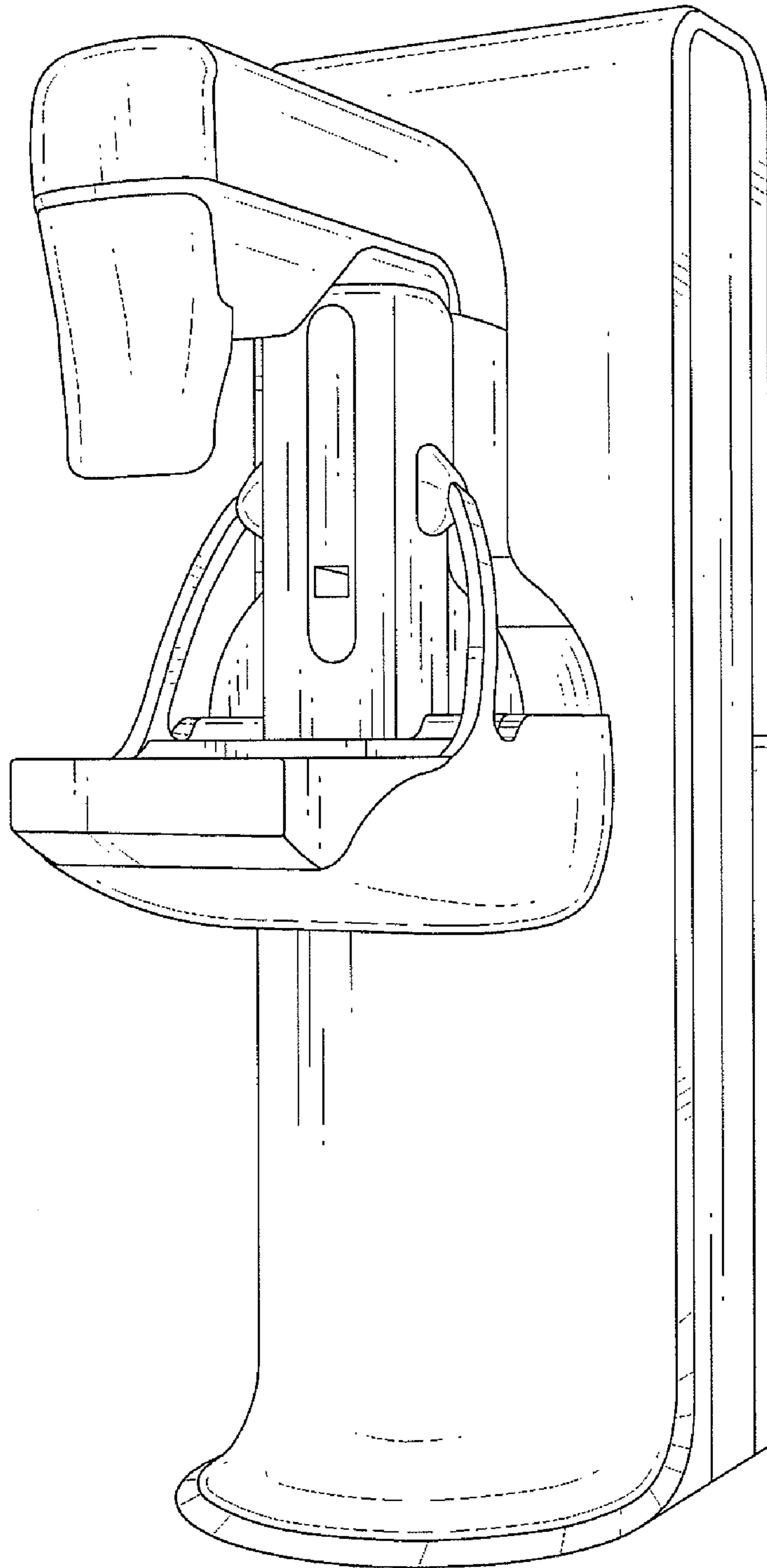


FIG. 2

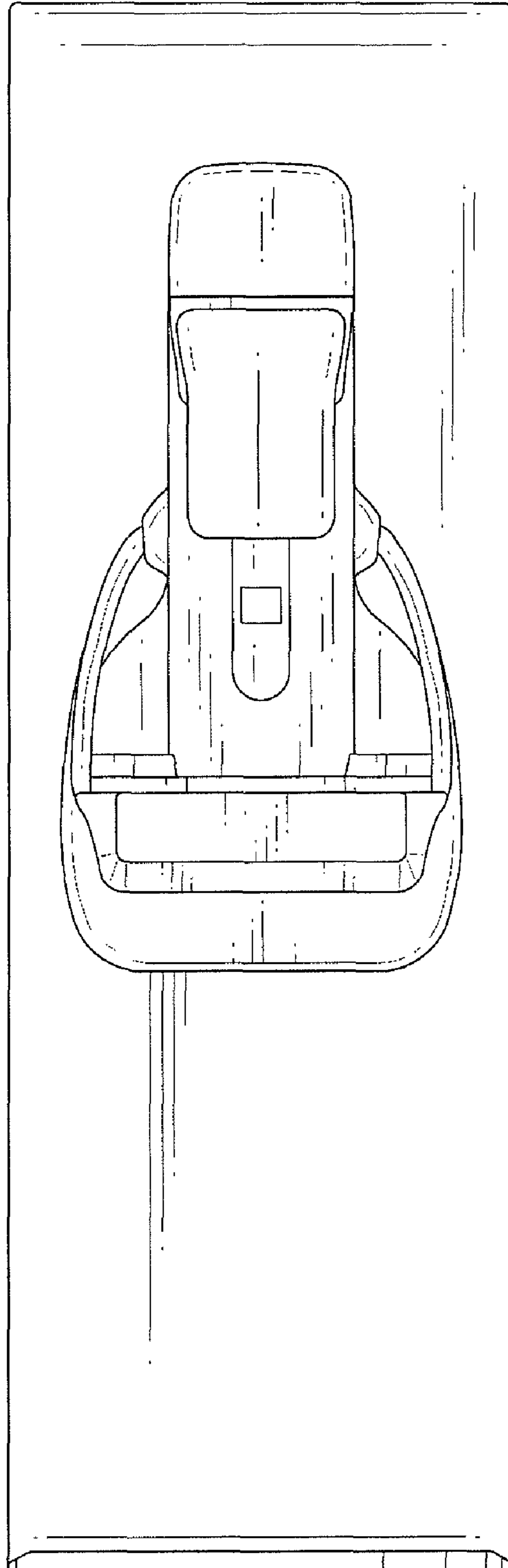


FIG. 3

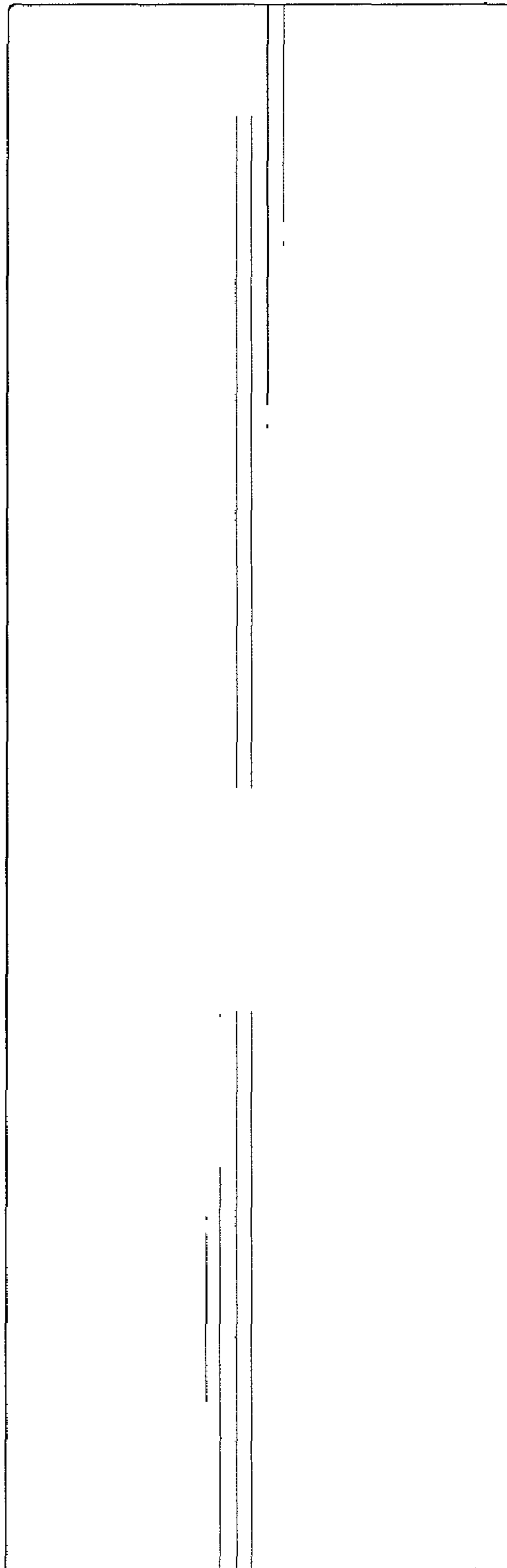


FIG. 4

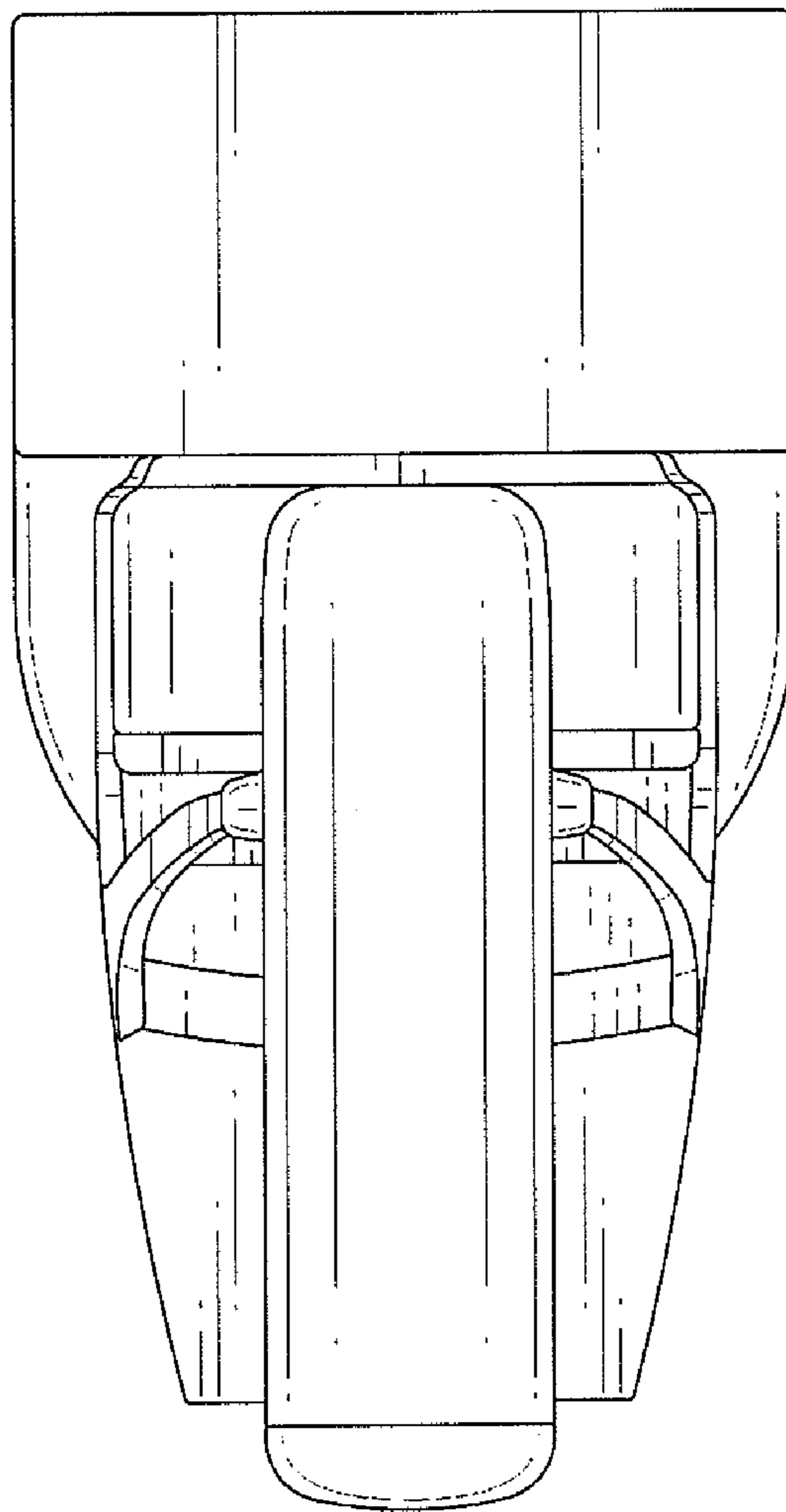


FIG. 5

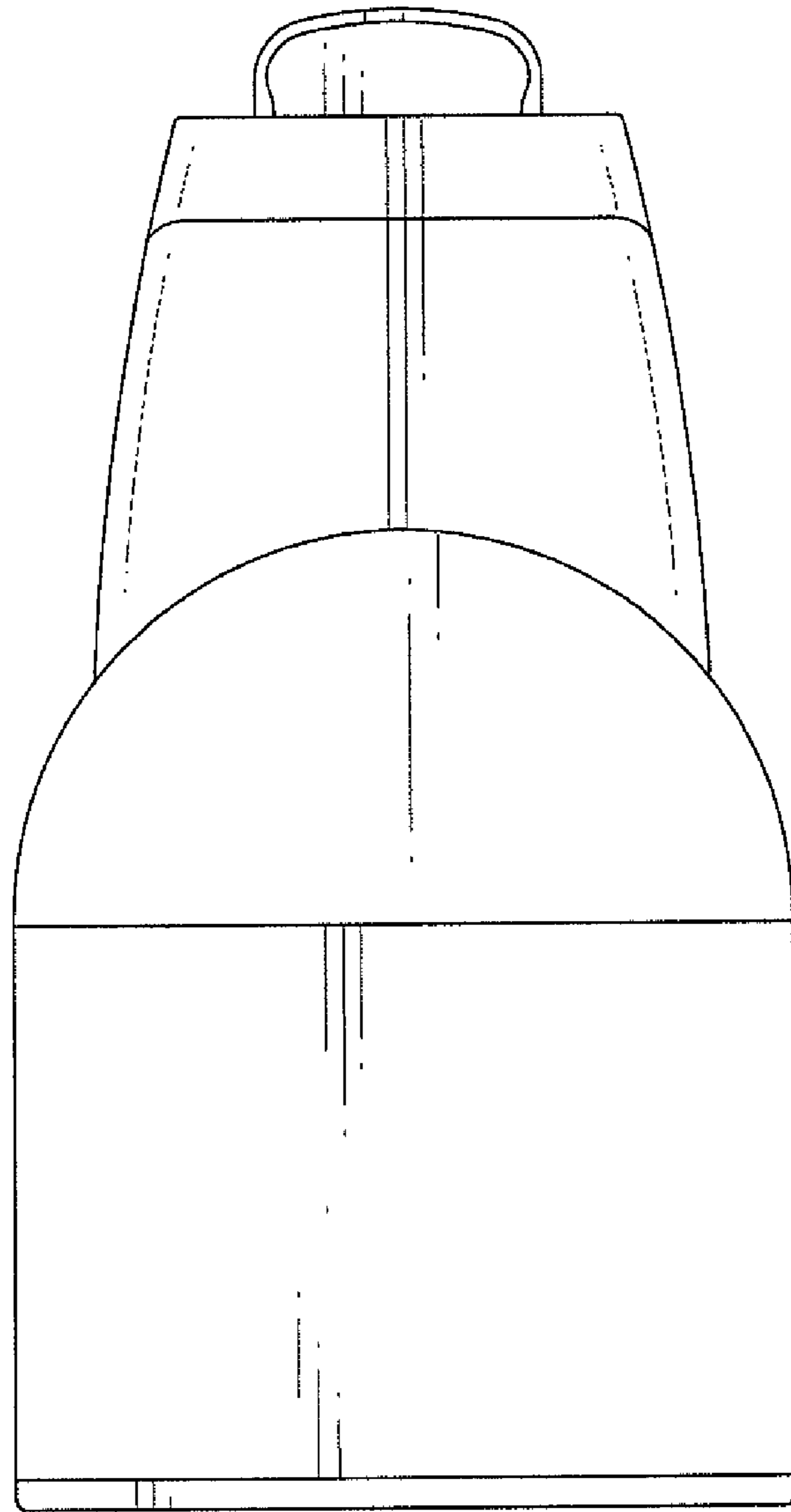


FIG. 6

