



US00D659831S

(12) **United States Design Patent**
Ogura

(10) **Patent No.:** **US D659,831 S**

(45) **Date of Patent:** **** May 15, 2012**

(54) **MAMMOGRAPHY EQUIPMENT**

(75) Inventor: **Ryosuke Ogura**, Ashigarakami-gun (JP)

(73) Assignee: **Fujifilm Corporation**, Tokyo (JP)

(**) Term: **14 Years**

(21) Appl. No.: **29/397,654**

(22) Filed: **Jul. 19, 2011**

(30) **Foreign Application Priority Data**

Jan. 27, 2011 (JP) 2011-001745

(51) **LOC (9) Cl.** **24-01**

(52) **U.S. Cl.** **D24/158**

(58) **Field of Classification Search** D24/158-161,
D24/186; 378/37, 62, 68, 155, 195-198,
378/208

See application file for complete search history.

(56) **References Cited**

U.S. PATENT DOCUMENTS

D315,207 S * 3/1991 Korvenmaa D24/158

D331,110 S * 11/1992 Virta et al. D24/158

D487,806 S * 3/2004 Kondo D24/158
7,375,363 B2 * 5/2008 Ohtsuka et al. 250/582
7,469,031 B2 * 12/2008 Hyvarinen et al. 378/37
D597,210 S * 7/2009 Hirabayashi D24/158
2006/0241423 A1 * 10/2006 Anderson et al. 600/437
* cited by examiner

Primary Examiner — Anhdao Doan

(74) *Attorney, Agent, or Firm* — Sughrue Mion, PLLC

(57) **CLAIM**

The ornamental design for a mammography equipment, as shown and described.

DESCRIPTION

FIG. 1 is a top, front and side perspective view of a mammography equipment showing my new design;
FIG. 2 is a front elevational view thereof;
FIG. 3 is a top plan view thereof; and,
FIG. 4 is a left side elevational view thereof.
The portions of the mammography equipment in broken lines are shown for illustrative purposes only and form no part of the claimed design.

1 Claim, 4 Drawing Sheets

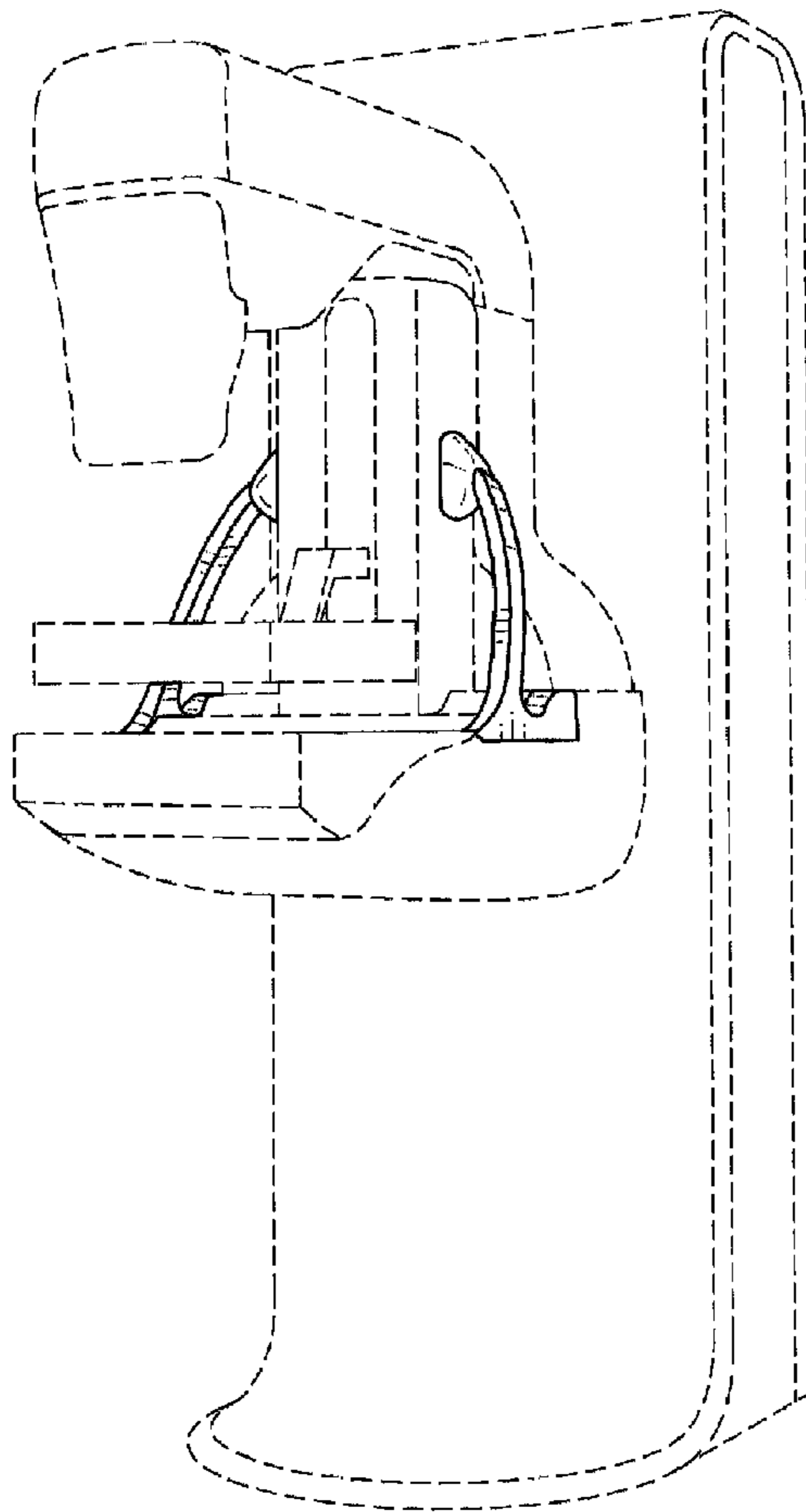


FIG. 1

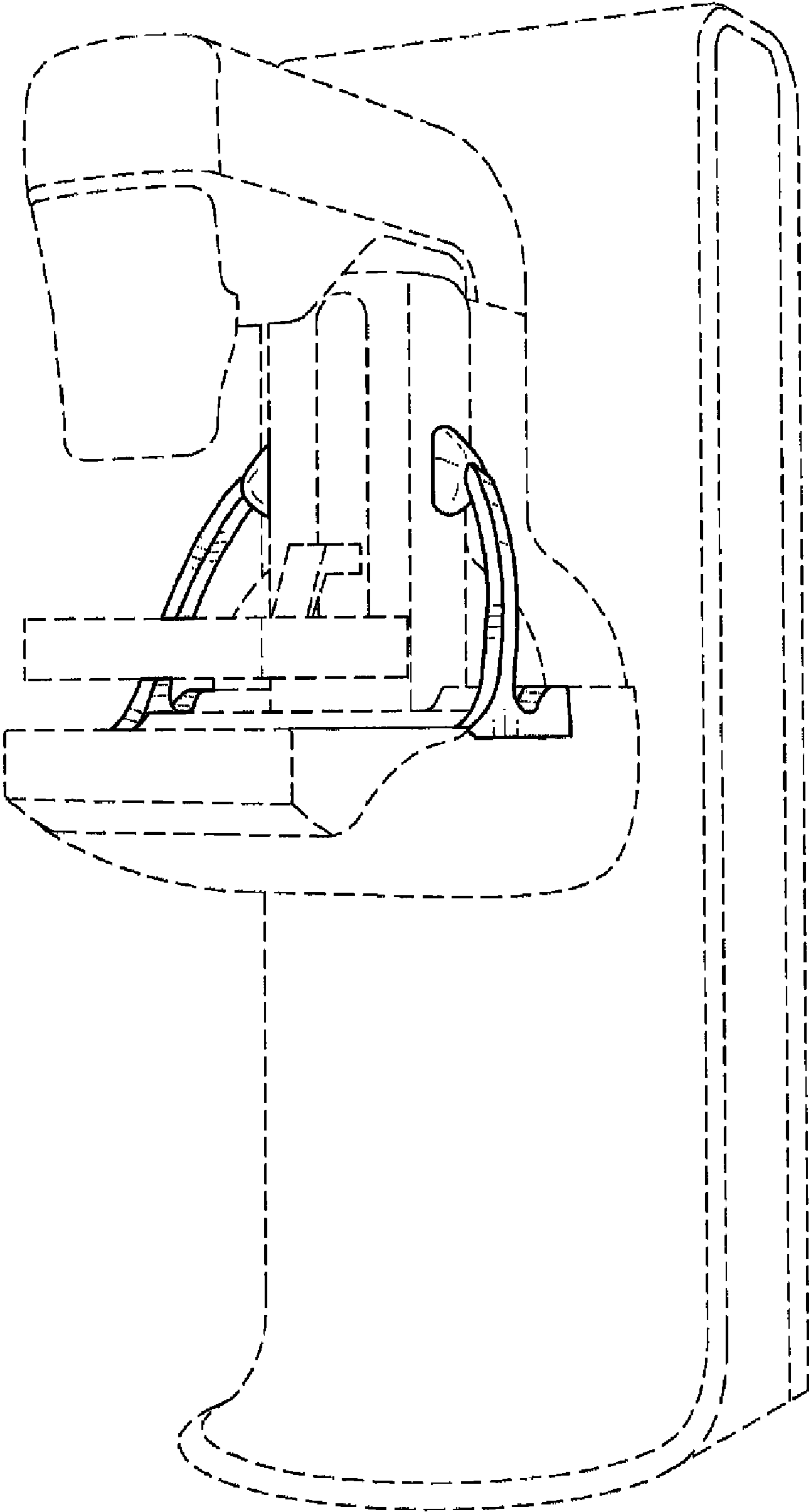


FIG. 2

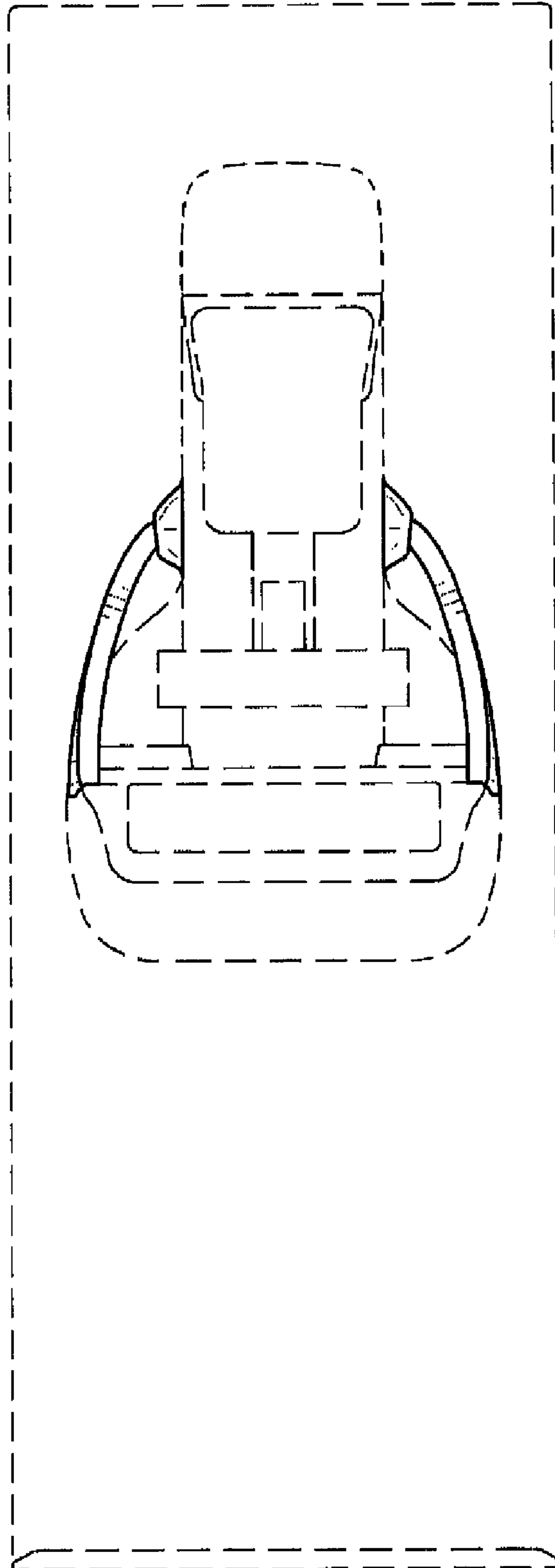


FIG. 3

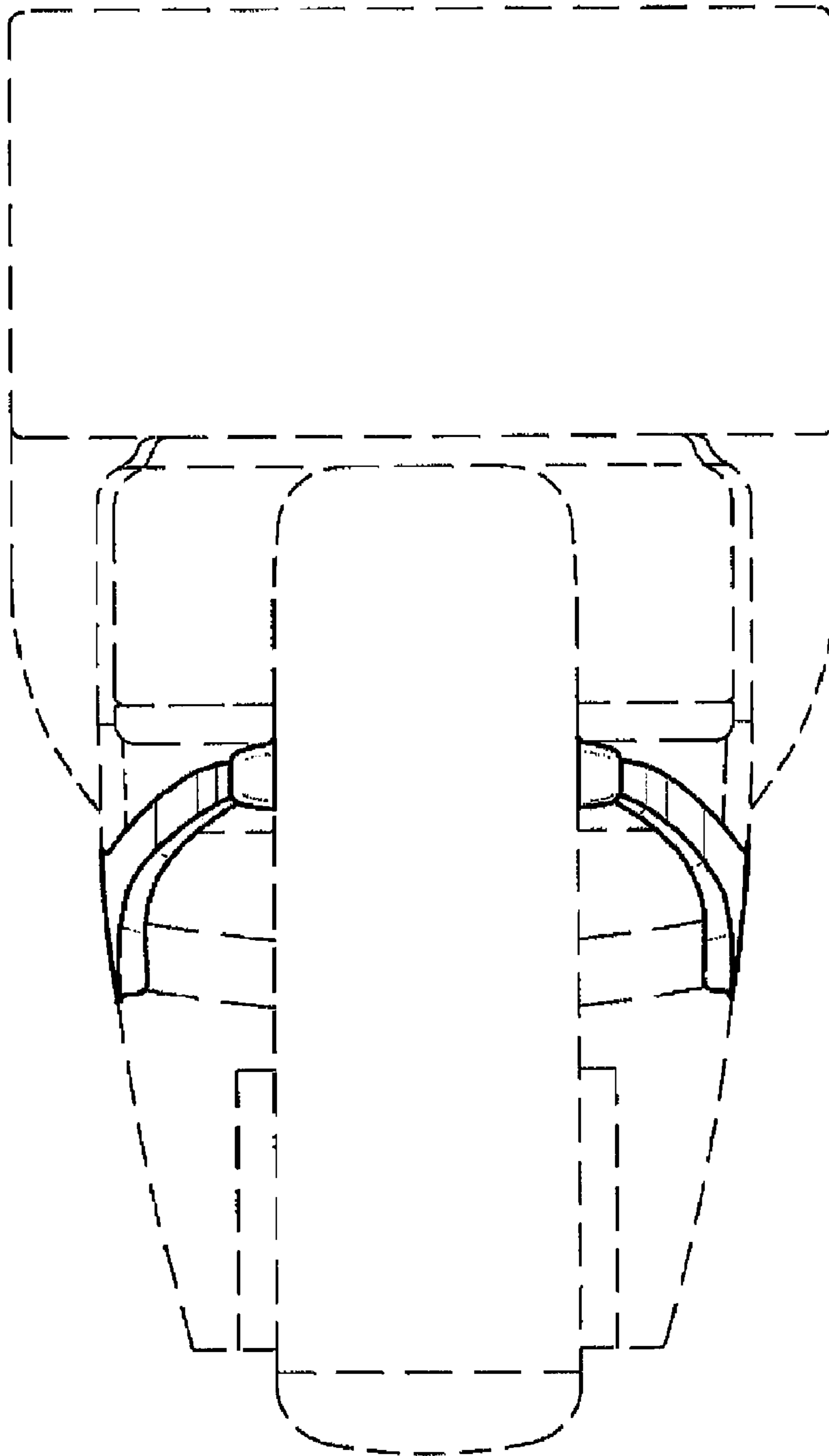


FIG. 4

