



US00D659830S

(12) **United States Design Patent**
Ogura

(10) **Patent No.:** **US D659,830 S**

(45) **Date of Patent:** **** May 15, 2012**

(54) **FACE GUARD SURFACE OF MAMMOGRAPHY EQUIPMENT**

2011/0129062 A1* 6/2011 Hoernig 378/37
* cited by examiner

(75) Inventor: **Ryosuke Ogura**, Ashigarakami-gun (JP)

Primary Examiner — Anhdao Doan

(73) Assignee: **FUJIFILM Corporation**, Tokyo (JP)

(74) *Attorney, Agent, or Firm* — Sughrue Mion, PLLC

(**) Term: **14 Years**

(57) **CLAIM**

The ornamental design for a face guard surface of mammography equipment, as shown and described.

(21) Appl. No.: **29/397,521**

(22) Filed: **Jul. 18, 2011**

DESCRIPTION

(30) **Foreign Application Priority Data**

Jan. 27, 2011 (JP) 2011-001748

FIG. 1 is a top, front and side perspective view of a face guard surface of mammography equipment showing my new design;

(51) **LOC (9) Cl.** **24-01**

FIG. 2 is a front elevational view thereof;

(52) **U.S. Cl.** **D24/158**

FIG. 3 is a bottom plan view thereof;

(58) **Field of Classification Search** D24/158-161,
D24/186, 177, 183-185; 378/37, 62, 68,
378/155, 195-198, 208

FIG. 4 is a left side elevational view thereof;

FIG. 5 is a front elevational view of a face guard;

FIG. 6 is a left side elevational view thereof;

FIG. 7 is a cross-sectional view taken along line 7-7 of FIG. 5; and,

See application file for complete search history.

FIG. 8 is a referential right side elevational view in a manner of use.

(56) **References Cited**

U.S. PATENT DOCUMENTS

| | | | | |
|--------------|------|---------|-----------------|---------|
| 5,212,719 | A * | 5/1993 | Virta et al. | 378/155 |
| 7,308,295 | B2 * | 12/2007 | Ihamaki et al. | 378/37 |
| D563,553 | S * | 3/2008 | Saito et al. | D24/158 |
| 7,940,890 | B1 * | 5/2011 | Linev | 378/37 |
| 2007/0223651 | A1 * | 9/2007 | Wagenaar et al. | 378/37 |
| 2009/0213986 | A1 * | 8/2009 | Thaler | 378/37 |
| 2009/0299218 | A1 * | 12/2009 | Holler et al. | 378/37 |

The two-dot chain lines immediately adjacent the shaded areas represent the bounds of the claim; the broken line showing of a human in FIG. 8 represents the environment; and all other broken lines represent the unclaimed portions of the face guard surface of mammography equipment. None of the broken lines form a part of the claimed design.

1 Claim, 8 Drawing Sheets

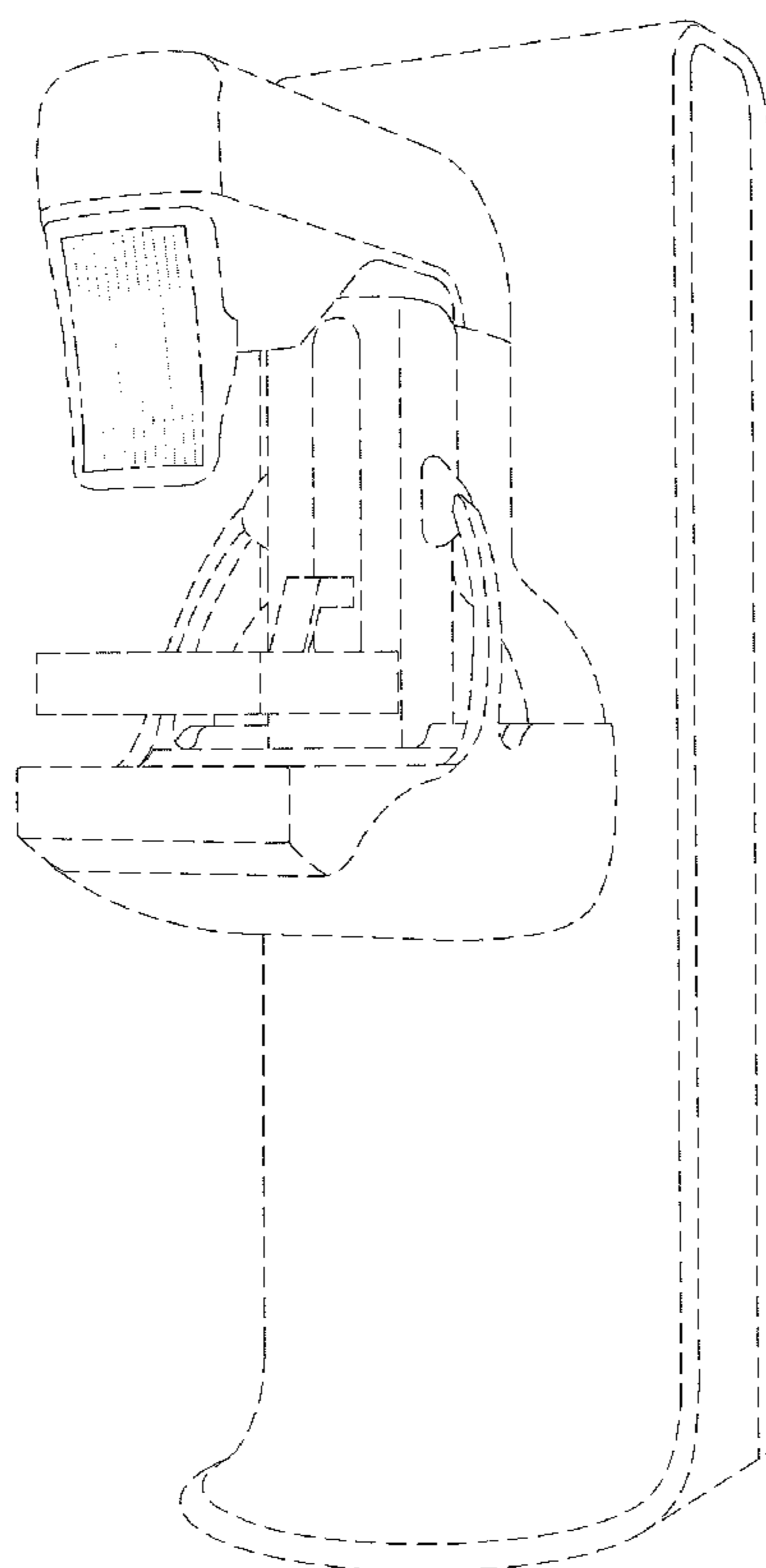


FIG. 1

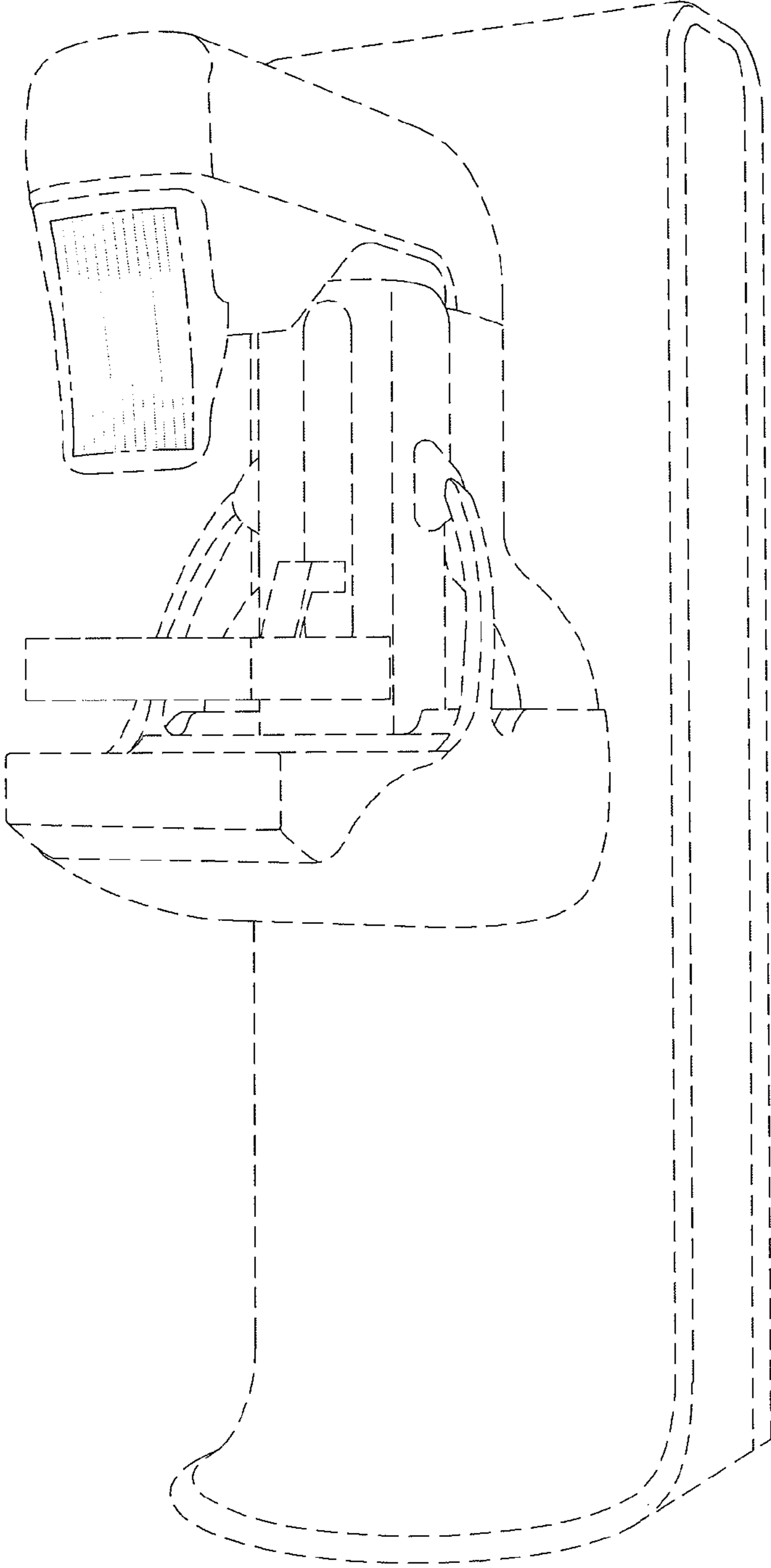


FIG. 2

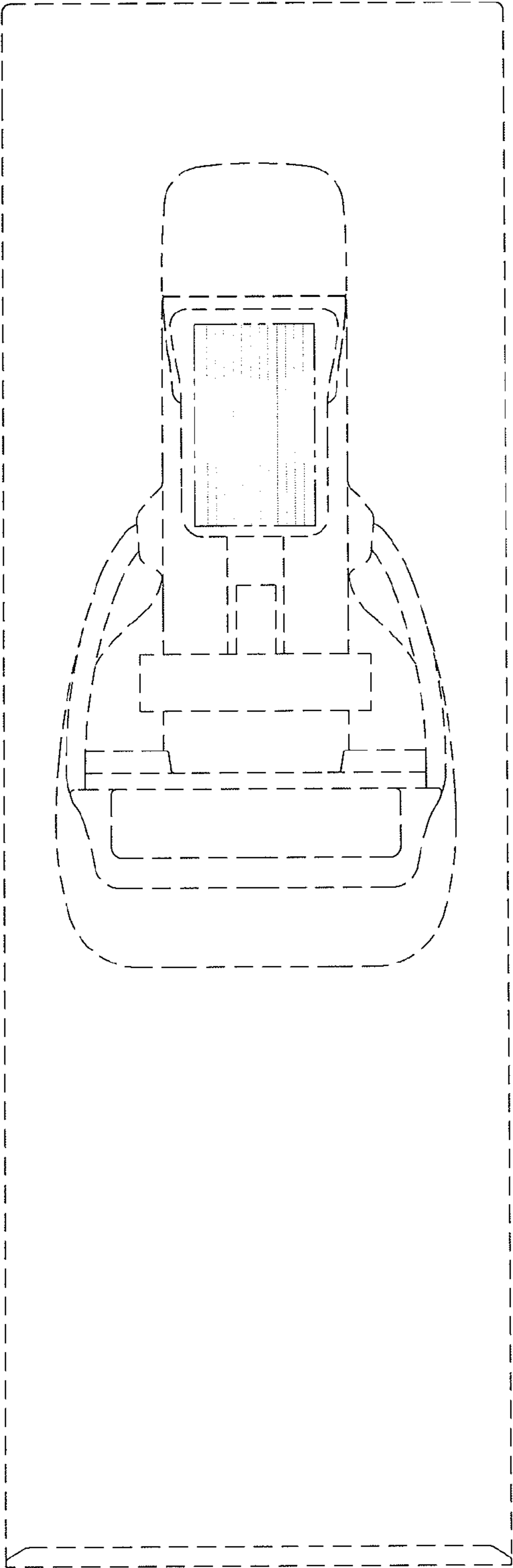


FIG. 3

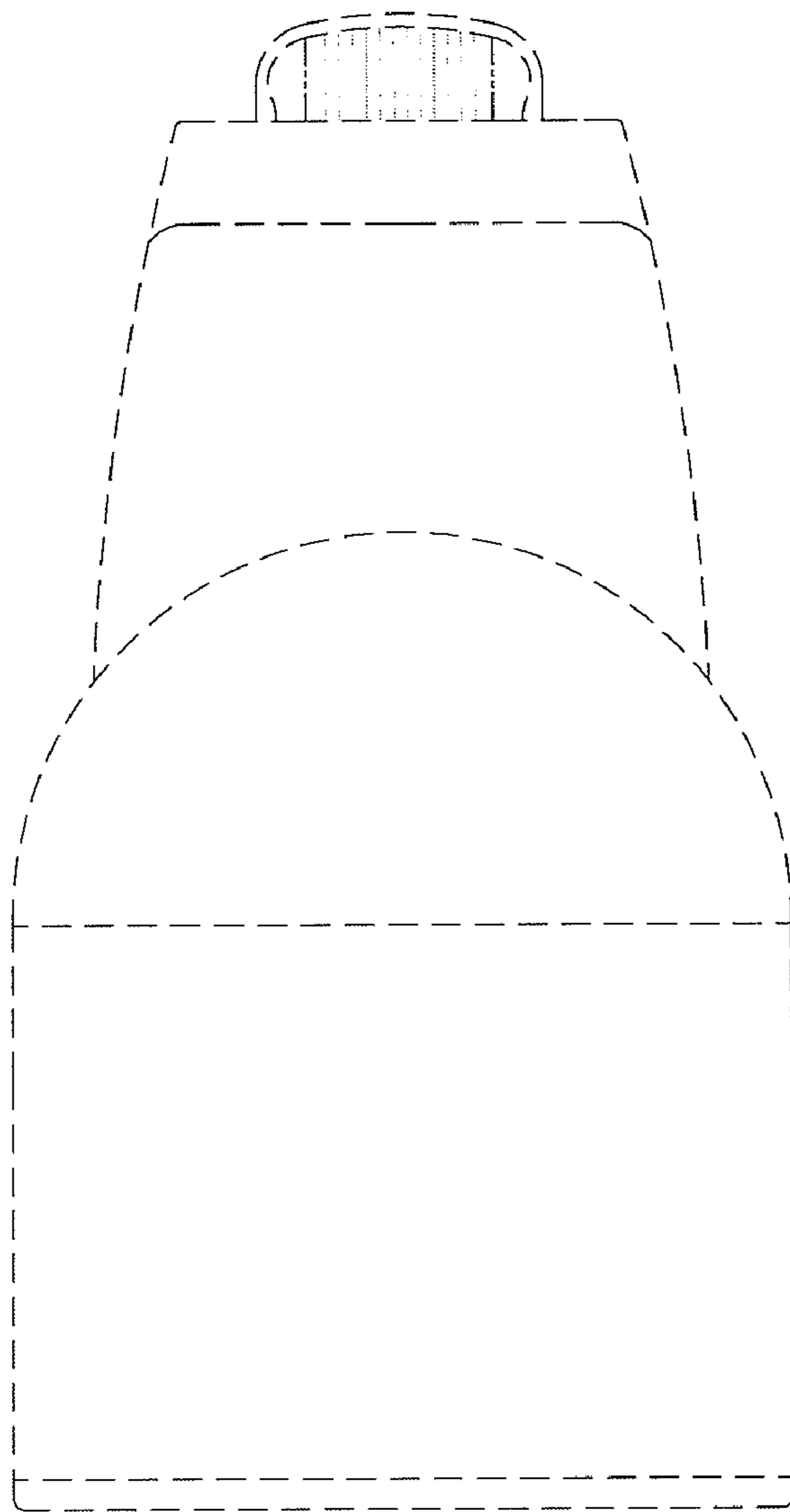


FIG. 4

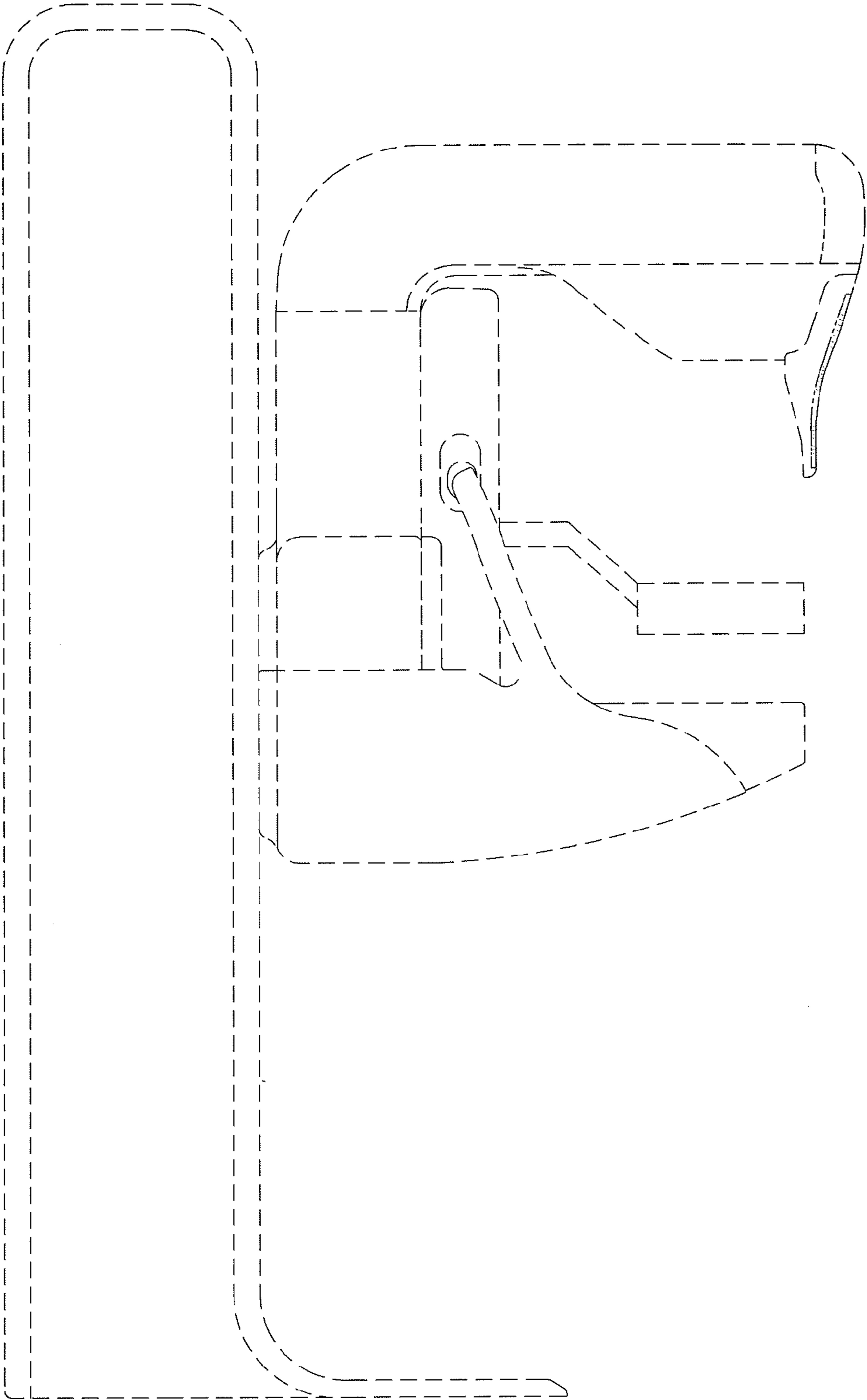


FIG. 5

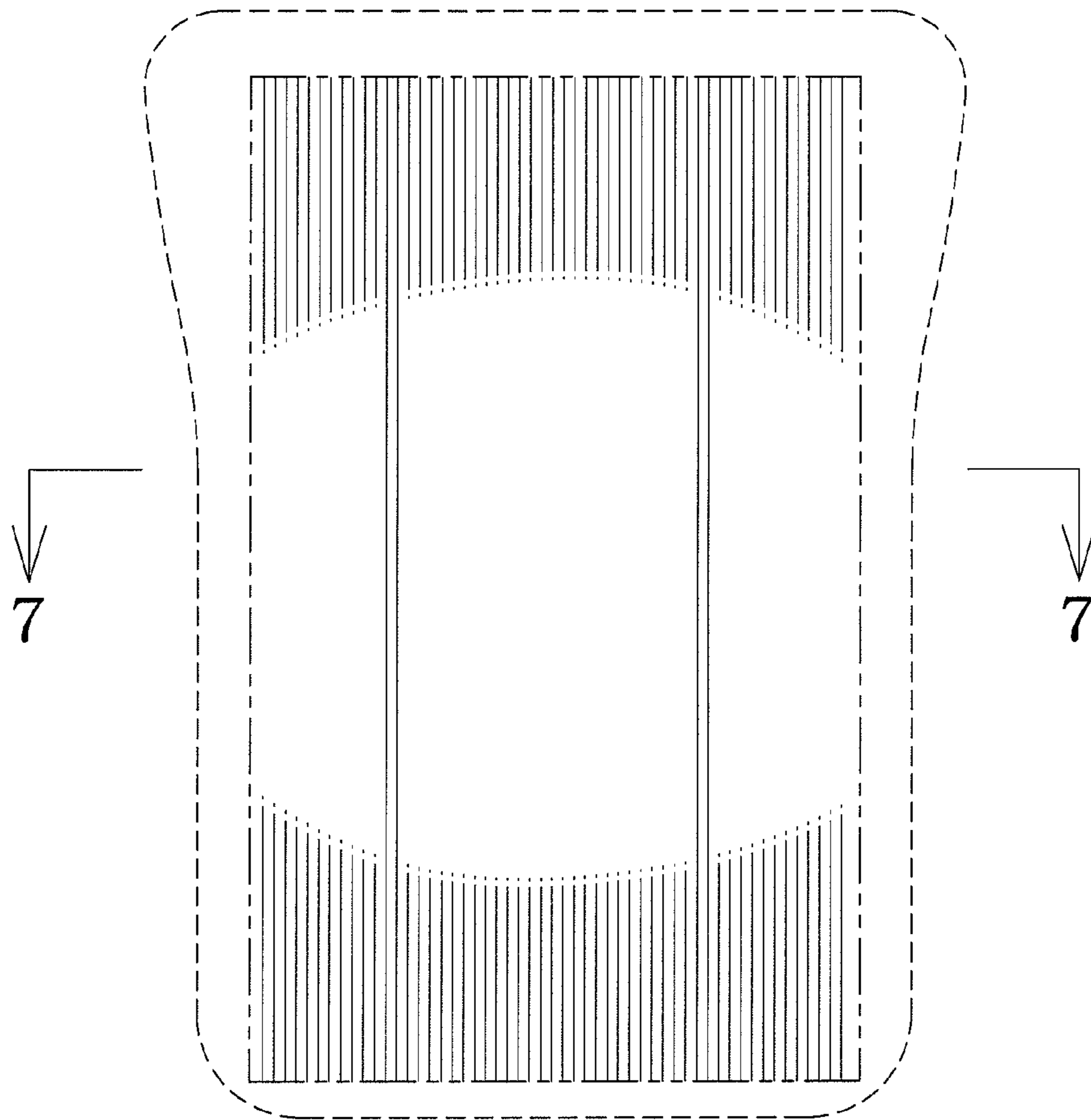


FIG. 6

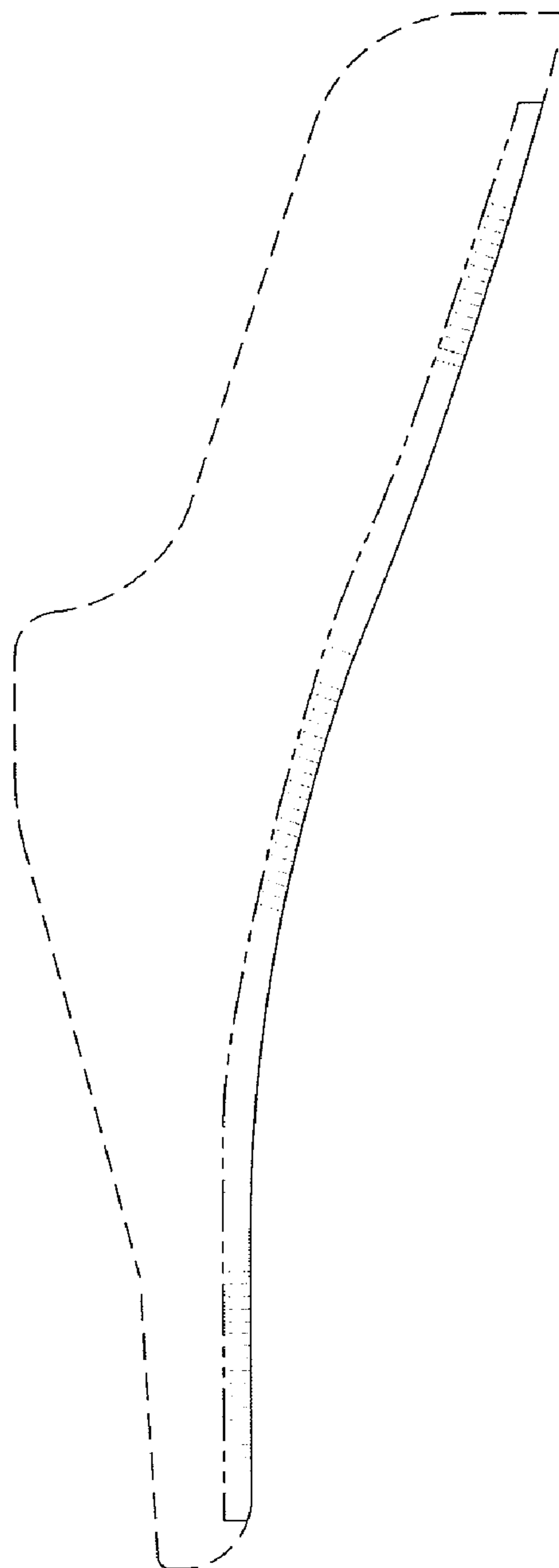


FIG. 7

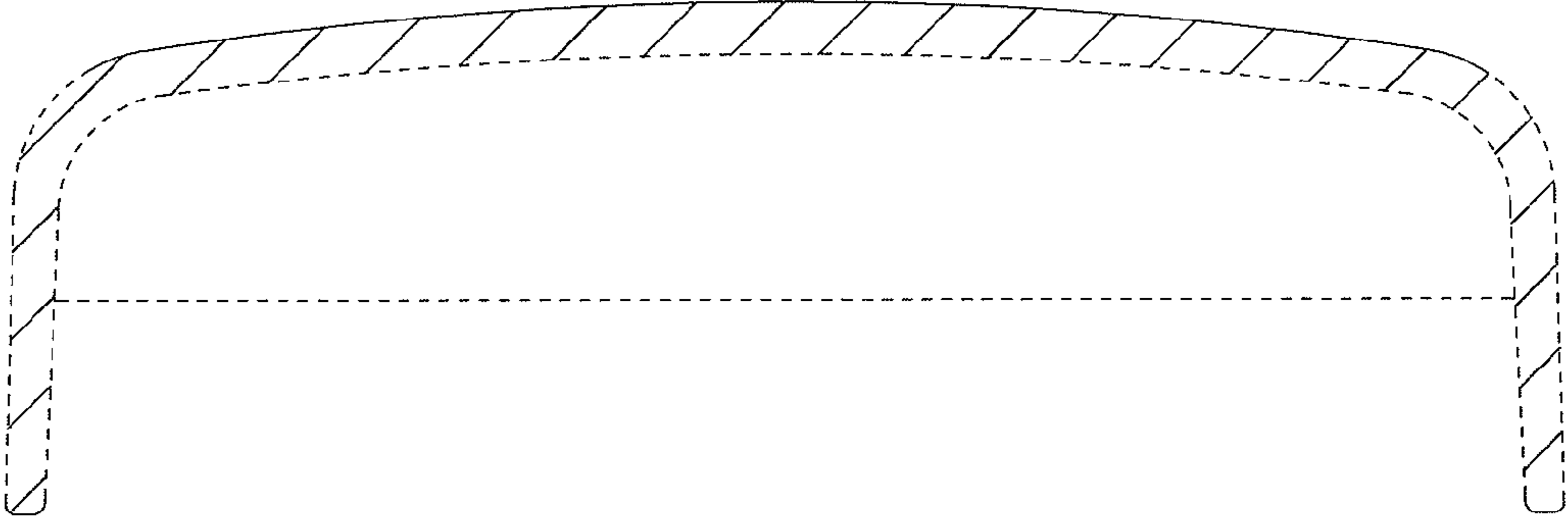


FIG. 8

