



US00D659828S

(12) **United States Design Patent**  
**Horning et al.**

(10) **Patent No.:** **US D659,828 S**  
(45) **Date of Patent:** **\*\* May 15, 2012**

(54) **BIOPSY PROBE**

(75) Inventors: **Julie A. Horning**, Loveland, OH (US);  
**Kathryn M. Dodd**, Cincinnati, OH  
(US); **John A. Hibner**, Mason, OH  
(US); **Emmanuel V. Tanghal**, Mason,  
OH (US)

(73) Assignee: **Devicor Medical Products, Inc.**,  
Cincinnati, OH (US)

(\*\*) Term: **14 Years**

(21) Appl. No.: **29/390,409**

(22) Filed: **Apr. 25, 2011**

(51) **LOC (9) Cl.** ..... **24-02**

(52) **U.S. Cl.** ..... **D24/146**

(58) **Field of Classification Search** ..... D24/146,  
D24/133, 147, 114; 606/170, 208, 207, 564,  
606/566, 567

See application file for complete search history.

(56) **References Cited**

**U.S. PATENT DOCUMENTS**

5,184,625	A *	2/1993	Cottone et al.	600/564
D450,843	S *	11/2001	McGuckin et al.	D24/146
6,689,072	B2 *	2/2004	Kaplan et al.	600/567
7,025,732	B2 *	4/2006	Thompson et al.	600/564
7,854,706	B2 *	12/2010	Hibner	600/566
7,862,518	B2 *	1/2011	Parihar	600/567
7,981,051	B2 *	7/2011	Quick et al.	600/566
7,988,642	B2 *	8/2011	Hardin et al.	600/566
8,016,772	B2 *	9/2011	Heske et al.	600/566

2002/0151822	A1 *	10/2002	Burdorff et al.	600/568
2005/0085838	A1 *	4/2005	Thompson et al.	606/170
2006/0129063	A1 *	6/2006	Thompson et al.	600/566
2007/0032743	A1 *	2/2007	Hibner	600/566
2008/0200836	A1 *	8/2008	Speeg et al.	600/567

**OTHER PUBLICATIONS**

U.S. Appl. No. 12/959,506, filed Dec. 3, 2010, Hibner et al.  
U.S. Appl. No. 29/390,405, filed Apr. 25, 2011, Horning et al.

\* cited by examiner

*Primary Examiner* — Ian Simmons

*Assistant Examiner* — Carissa C Fitts

(74) *Attorney, Agent, or Firm* — Frost Brown Todd LLC

(57) **CLAIM**

The ornamental design for a biopsy probe, as shown and described.

**DESCRIPTION**

FIG. 1 is a top perspective view of a biopsy probe, showing our new design;

FIG. 2 is a bottom perspective view thereof;

FIG. 3 is a rear elevation view thereof;

FIG. 4 is a front elevation view thereof;

FIG. 5 is a left elevation view thereof;

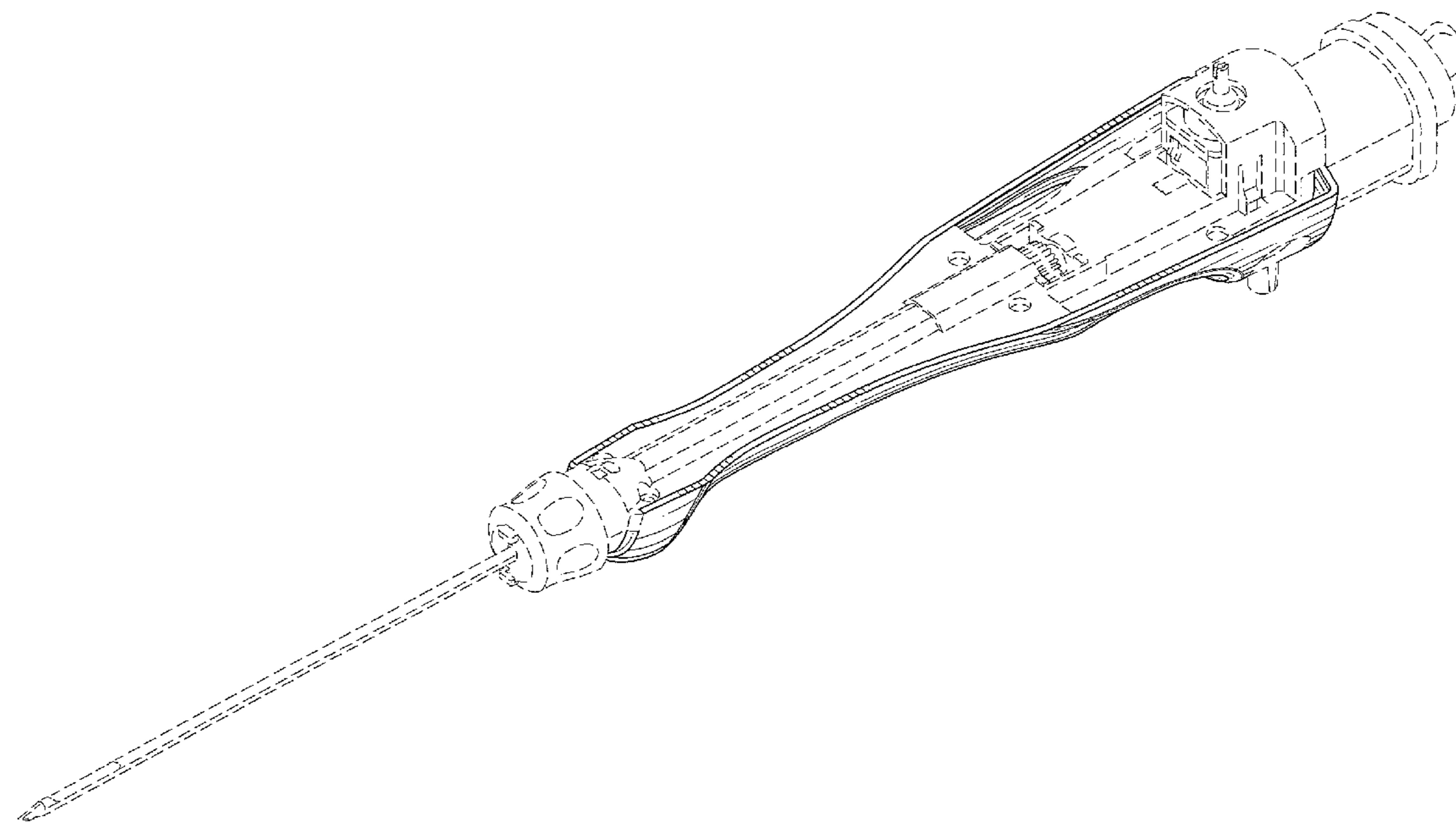
FIG. 6 is a right elevation view thereof;

FIG. 7 is a top plan view thereof; and,

FIG. 8 is a bottom plan view thereof.

The needle assembly, needle hub assembly, collection assembly, device stands, vacuum port, top cover and gear shown in broken lines are unclaimed subject matter and form no part of the claimed design.

**1 Claim, 5 Drawing Sheets**



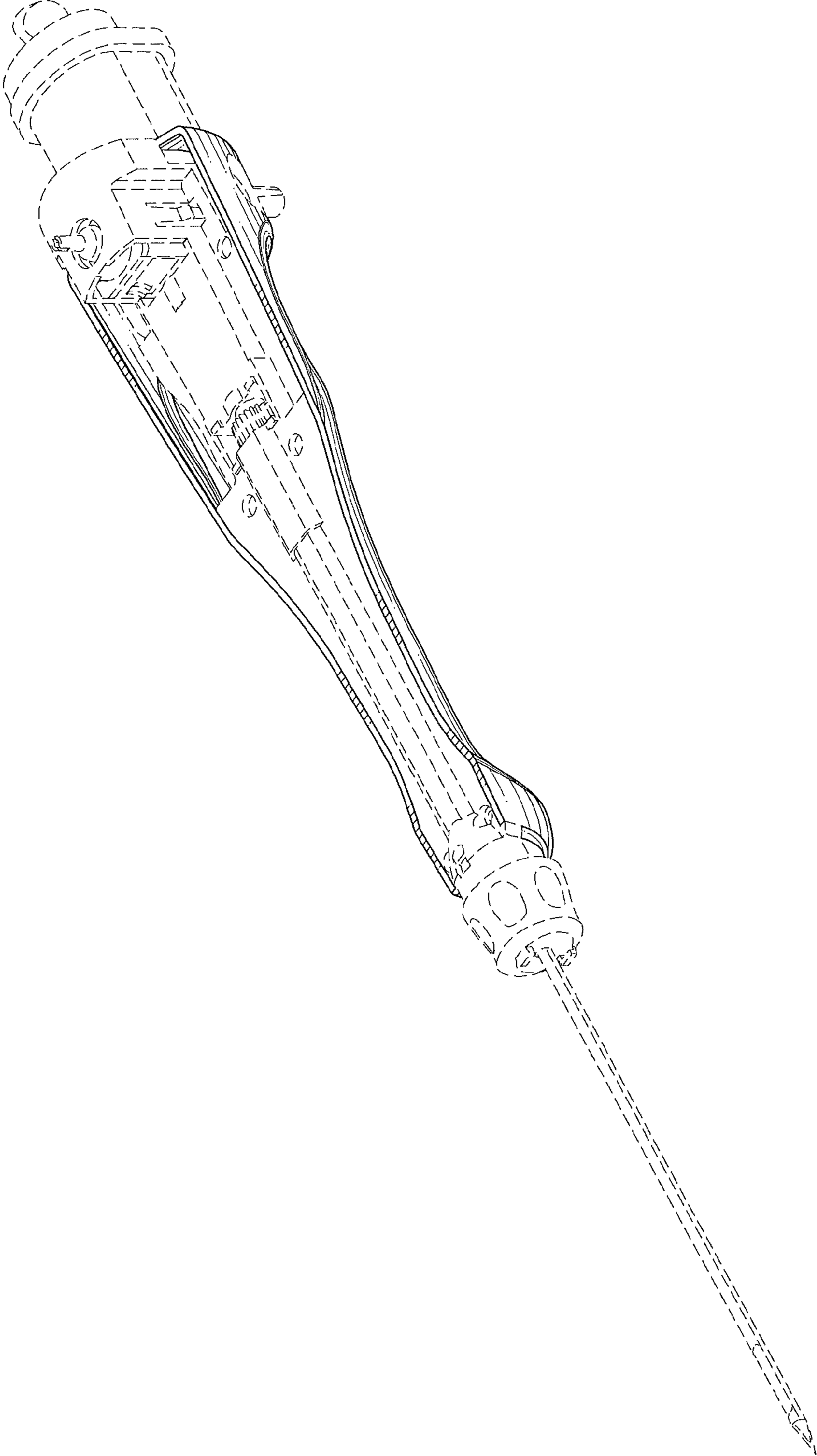


Fig. 1

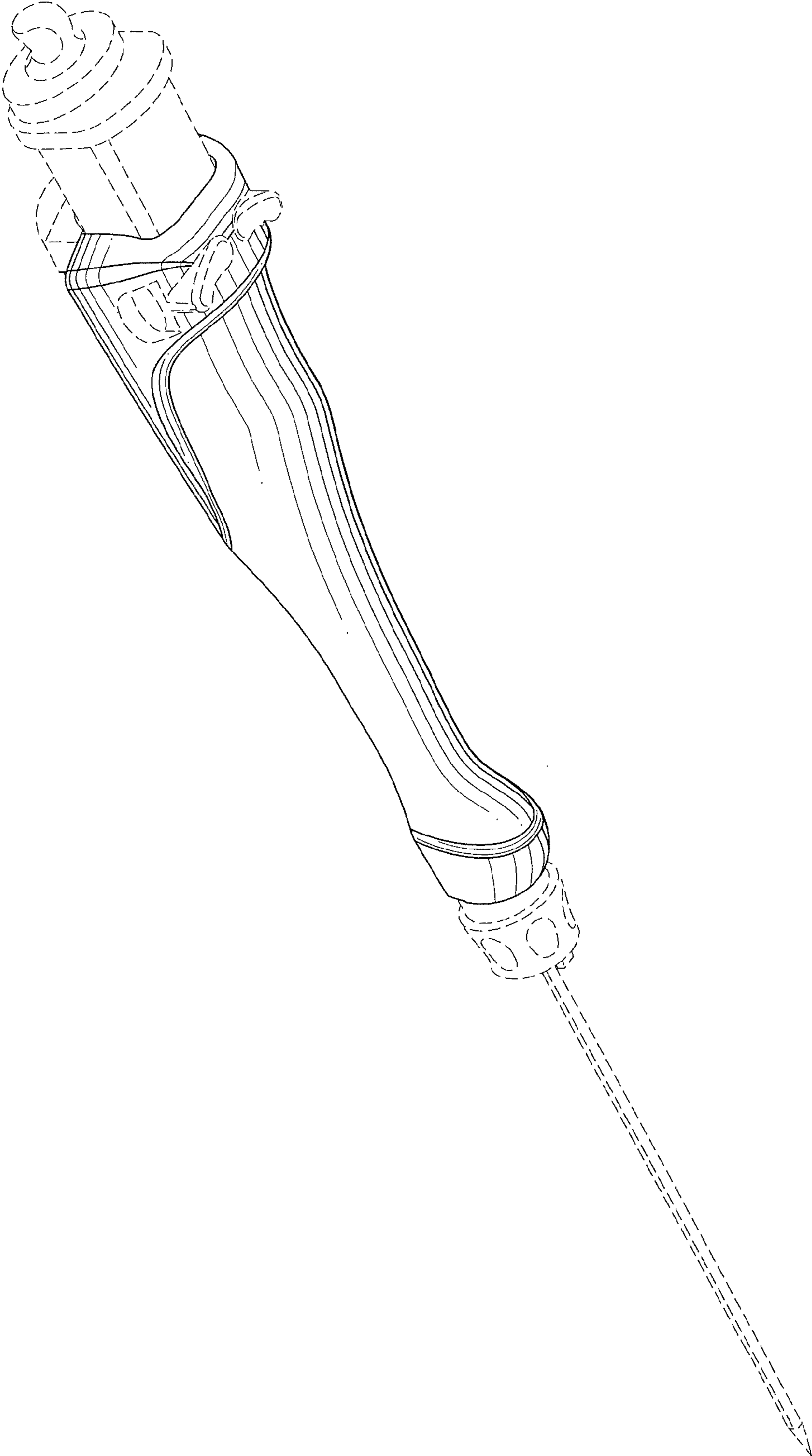


Fig. 2

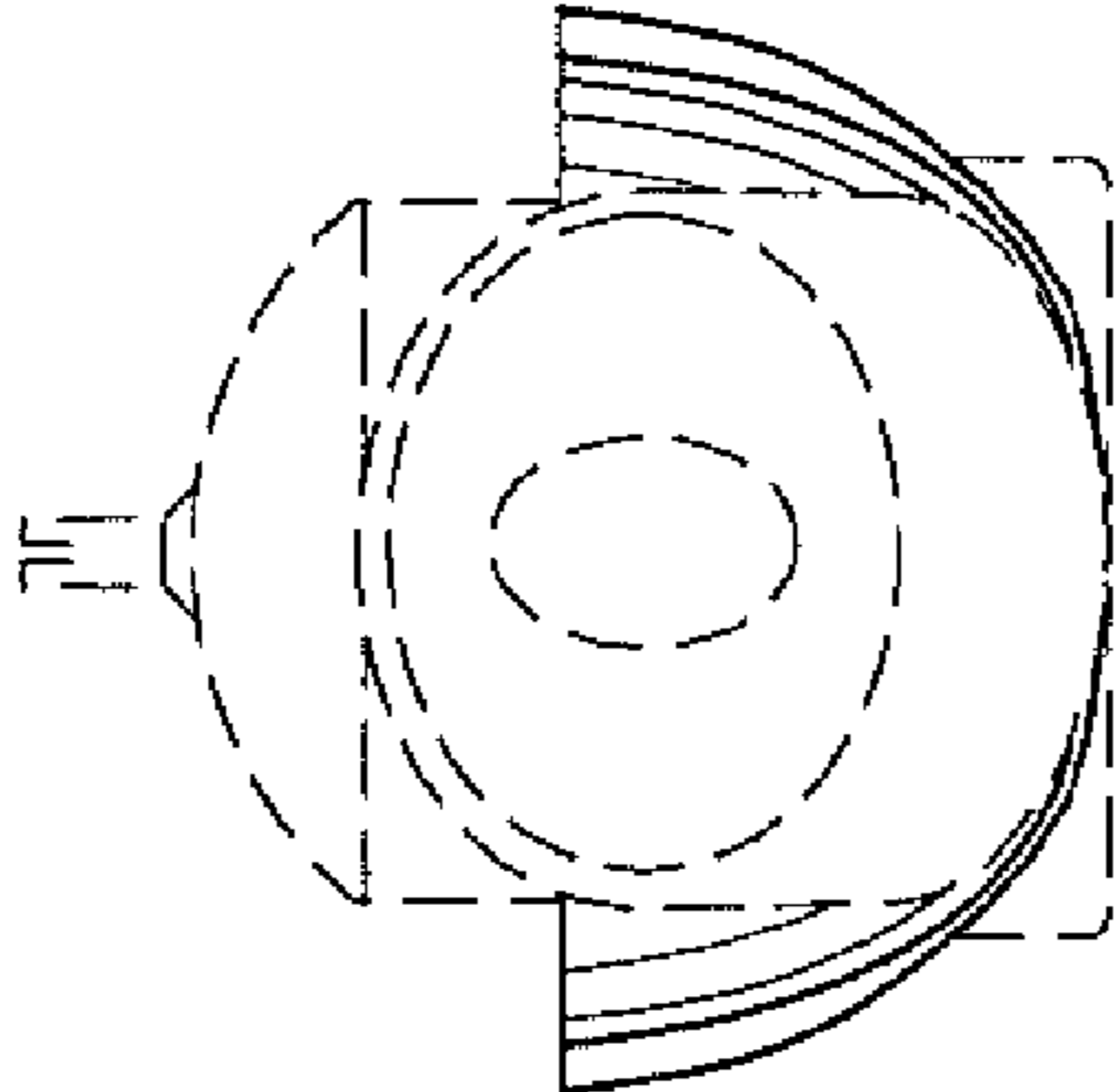


Fig. 3

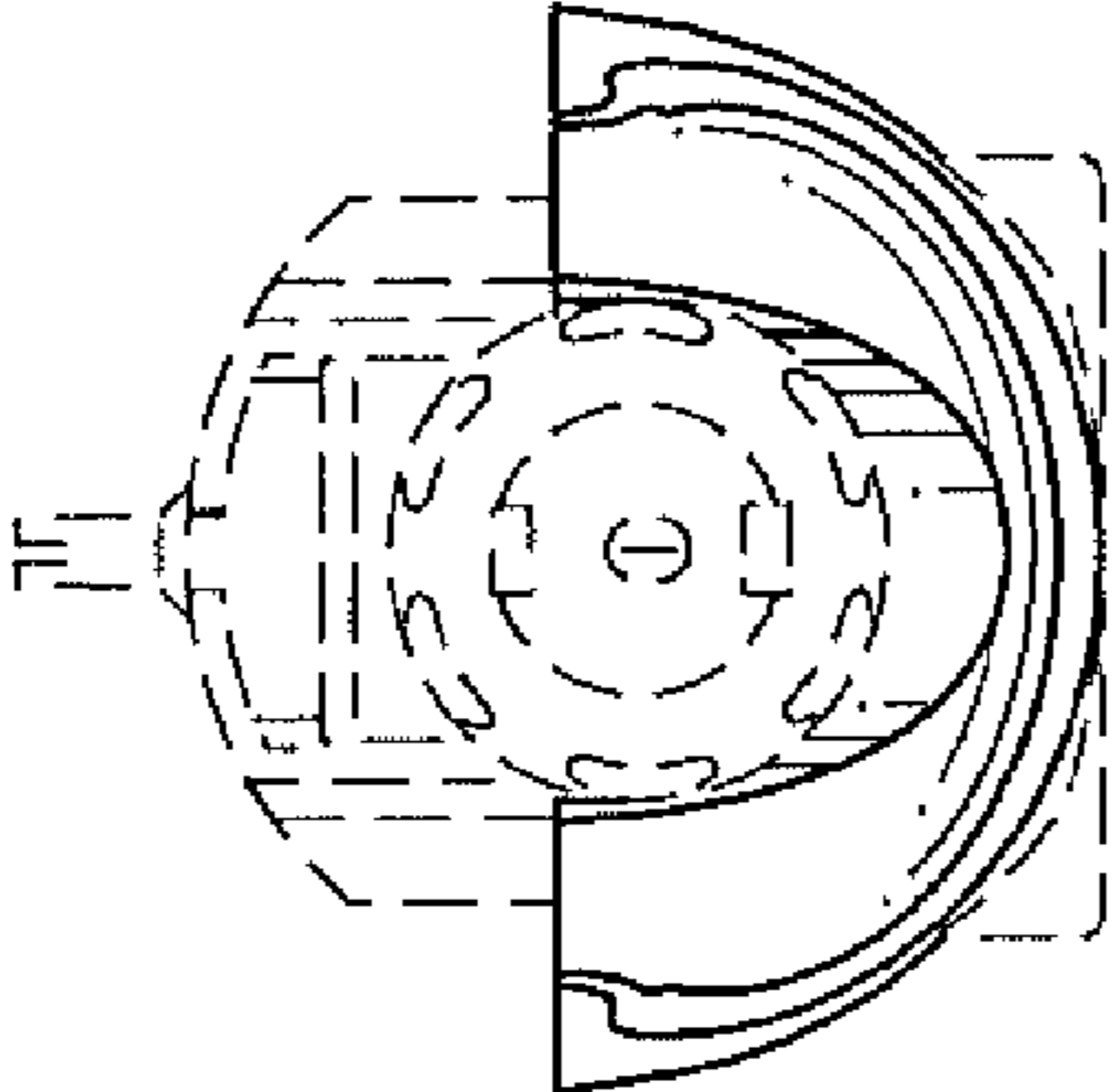


Fig. 4

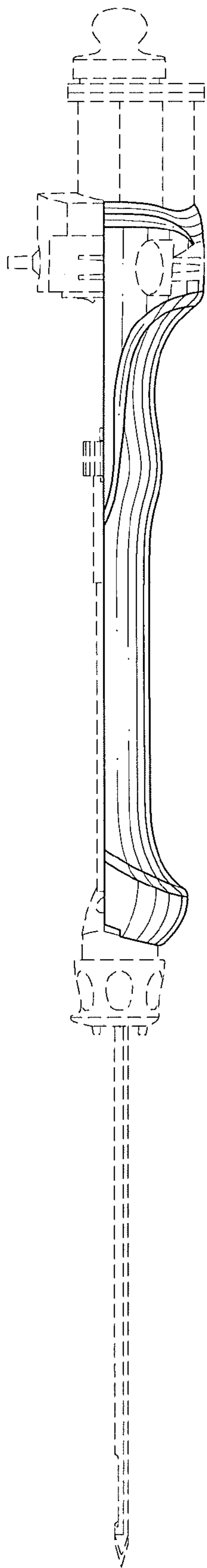


Fig. 5

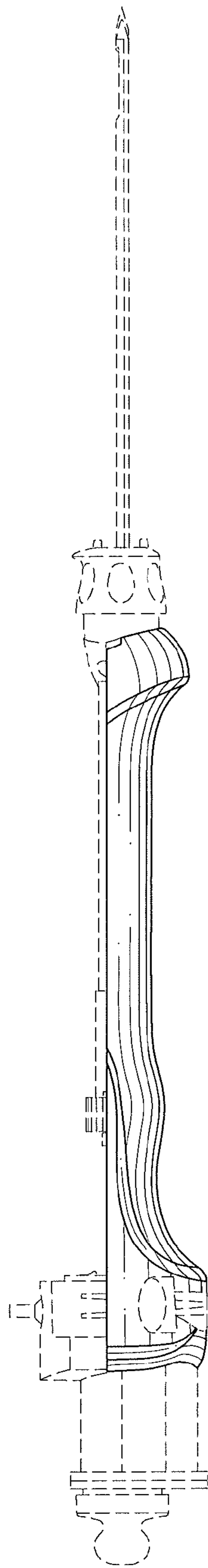


Fig. 6

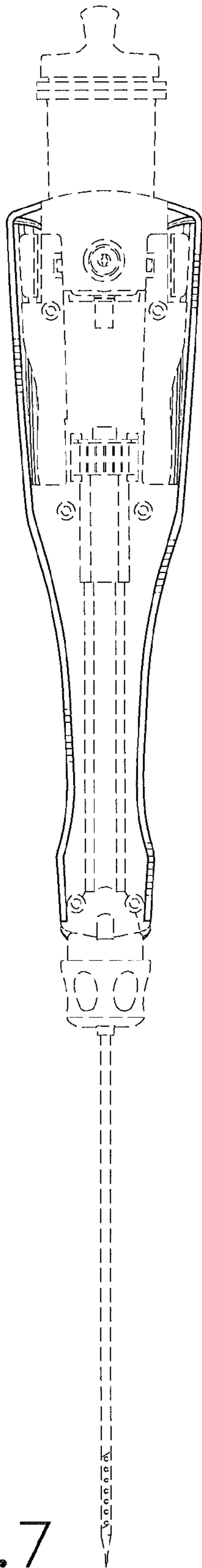


Fig. 7

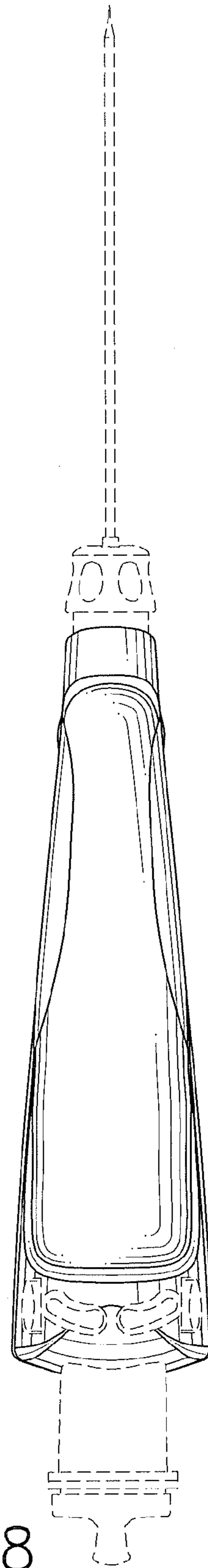


Fig. 8