



US00D659827S

(12) **United States Design Patent**  
**Stringham et al.**

(10) **Patent No.:** **US D659,827 S**  
(45) **Date of Patent:** **\*\* May 15, 2012**

(54) **SURGICAL RETAINING CLAMP**  
(75) Inventors: **Mark Stringham**, Salt Lake City, UT (US); **David McNally**, Salt Lake City, UT (US); **Ed Hammond**, Salt Lake City, UT (US)

(73) Assignee: **Domain Surgical, Inc.**, Salt Lake City, UT (US)

(\*\*) Term: **14 Years**

(21) Appl. No.: **29/401,232**

(22) Filed: **Sep. 8, 2011**

(51) **LOC (9) Cl.** ..... **24-02**

(52) **U.S. Cl.** ..... **D24/143**

(58) **Field of Classification Search** ..... D24/143, D24/133, 129, 147; D8/394-396; 604/174, 604/250; 606/151, 157; 24/499, 508, 557, 24/129 R

See application file for complete search history.

(56) **References Cited**

**U.S. PATENT DOCUMENTS**

4,143,652	A	3/1979	Meier et al.	
D287,054	S *	12/1986	Heaton	D24/143
4,781,197	A	11/1988	Fukuda	
4,822,348	A	4/1989	Casey	
4,834,702	A *	5/1989	Rocco	604/250
5,035,399	A *	7/1991	Rantanen-Lee	604/250
D331,462	S *	12/1992	Kraus et al.	D24/143
5,318,546	A *	6/1994	Bierman	604/250
5,575,802	A *	11/1996	McQuilkin et al.	606/151
6,196,519	B1 *	3/2001	Utterberg	251/9
D447,564	S *	9/2001	Stewart, Jr.	D24/143

6,283,945	B1 *	9/2001	Bierman	604/174
6,572,588	B1	6/2003	Bierman et al.	
7,413,561	B2 *	8/2008	Raulerson et al.	604/174
D619,711	S *	7/2010	Lombardo et al.	D24/143
2007/0156091	A1	7/2007	Fathallah et al.	
2008/0277853	A1	11/2008	Menn	
2010/0179483	A1	7/2010	Wright et al.	
2011/0087171	A1	4/2011	Bracci	

**FOREIGN PATENT DOCUMENTS**

GB 198528 (A) 6/1923

\* cited by examiner

*Primary Examiner* — Wan Laymon

(74) *Attorney, Agent, or Firm* — Bateman IP

(57) **CLAIM**

We claim the ornamental design for a surgical retaining clamp, as shown and described.

**DESCRIPTION**

FIG. 1 shows a right perspective view of the surgical retaining clamp of the present invention;

FIG. 2 shows a left perspective view of the surgical retaining clamp of FIG. 1;

FIG. 3 shows a right side view of the surgical retaining clamp of FIG. 1, the left side view being a mirror image thereof;

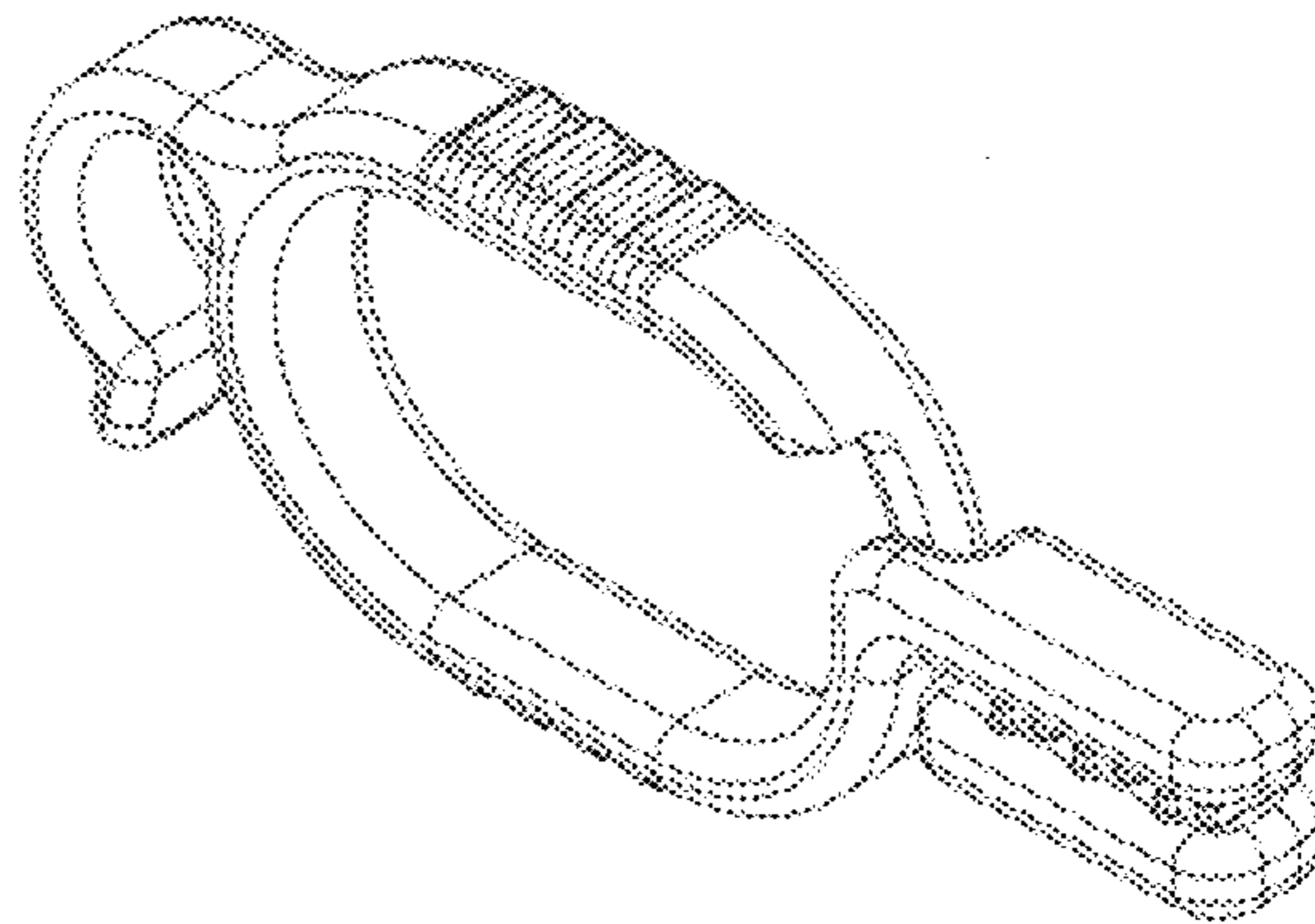
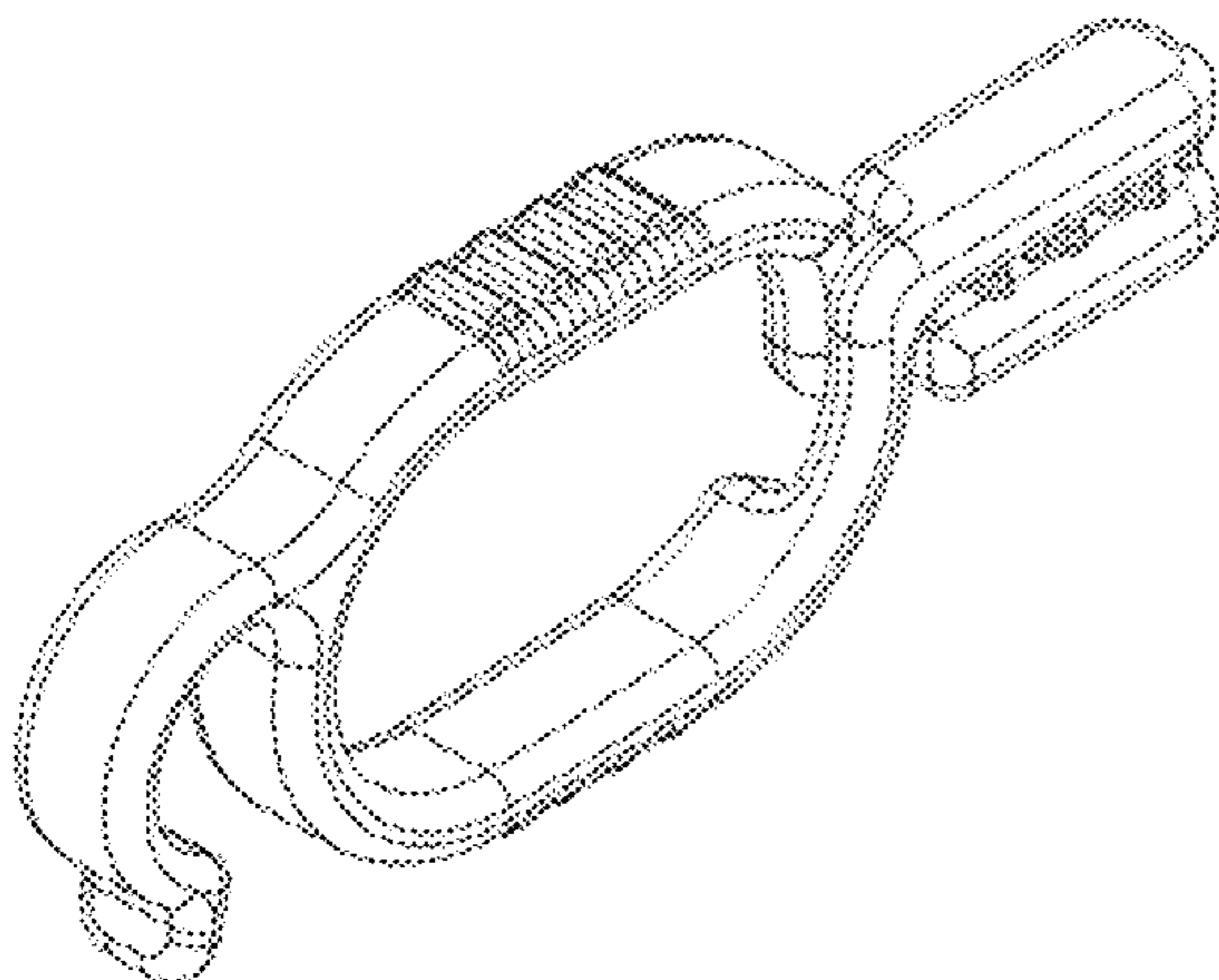
FIG. 4 shows a front view of the surgical retaining clamp of FIG. 1;

FIG. 5 shows a back view of the surgical retaining clamp of FIG. 1;

FIG. 6 shows a top view of the surgical retaining clamp of FIG. 1; and,

FIG. 7 shows a bottom view of the surgical retaining clamp of FIG. 1.

**1 Claim, 7 Drawing Sheets**



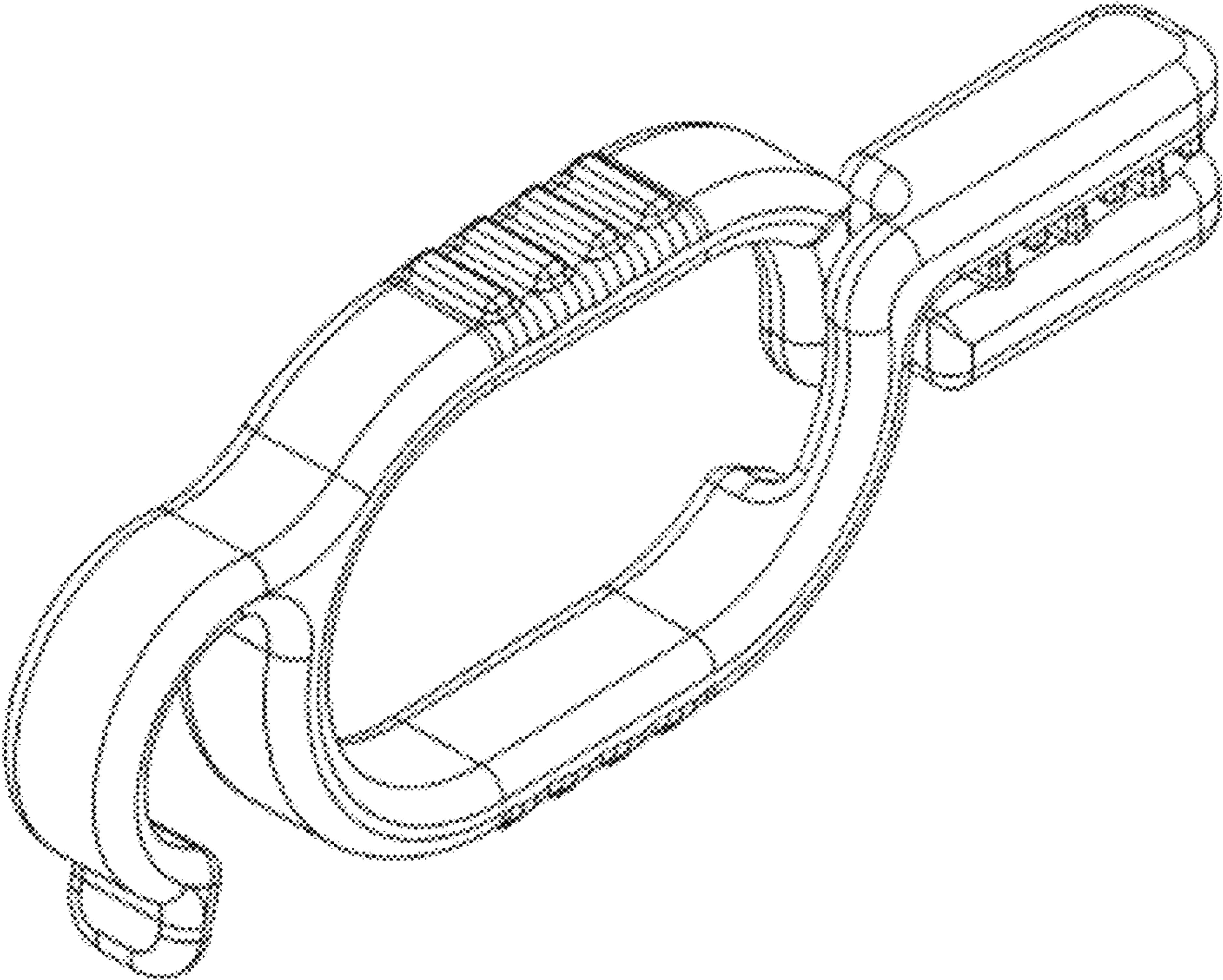


Fig. 1

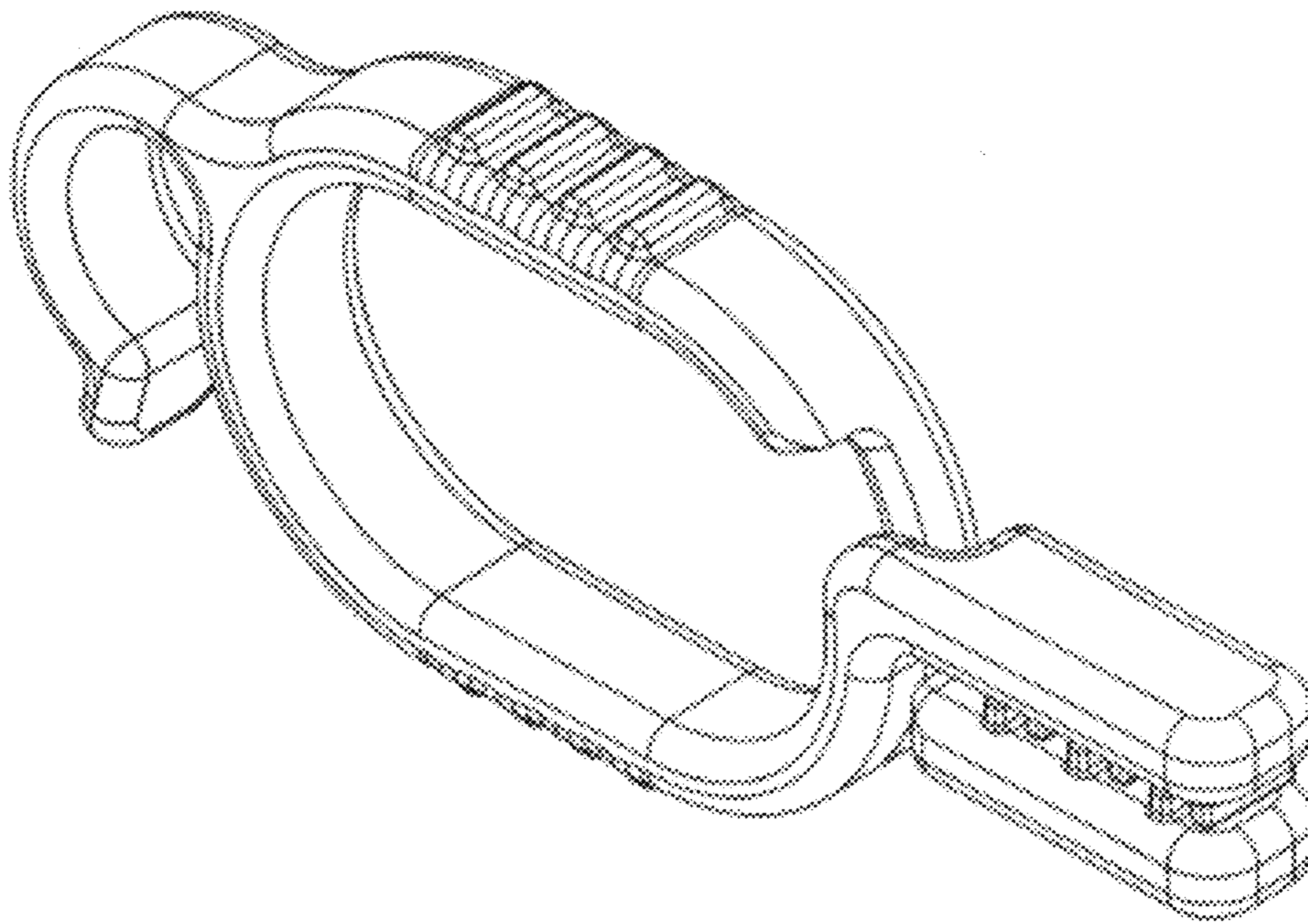


Fig. 2

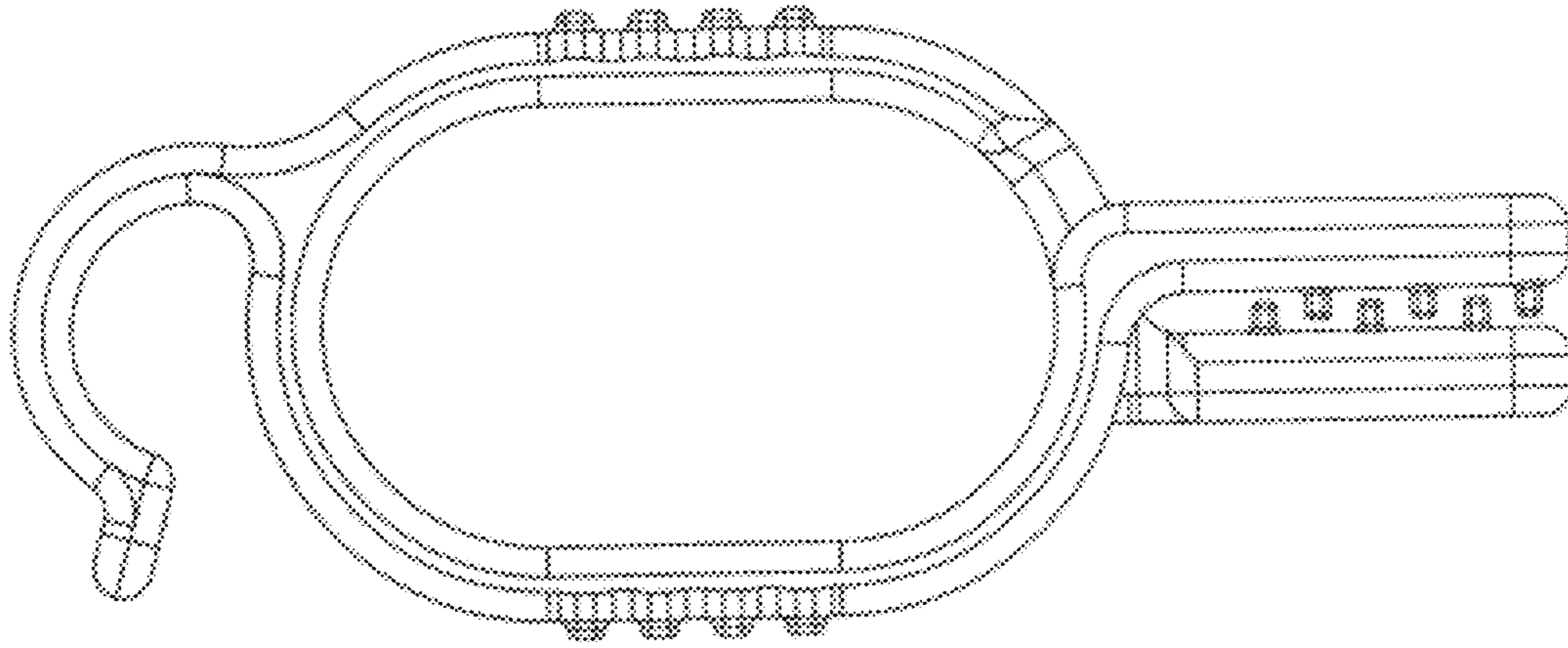


Fig. 3

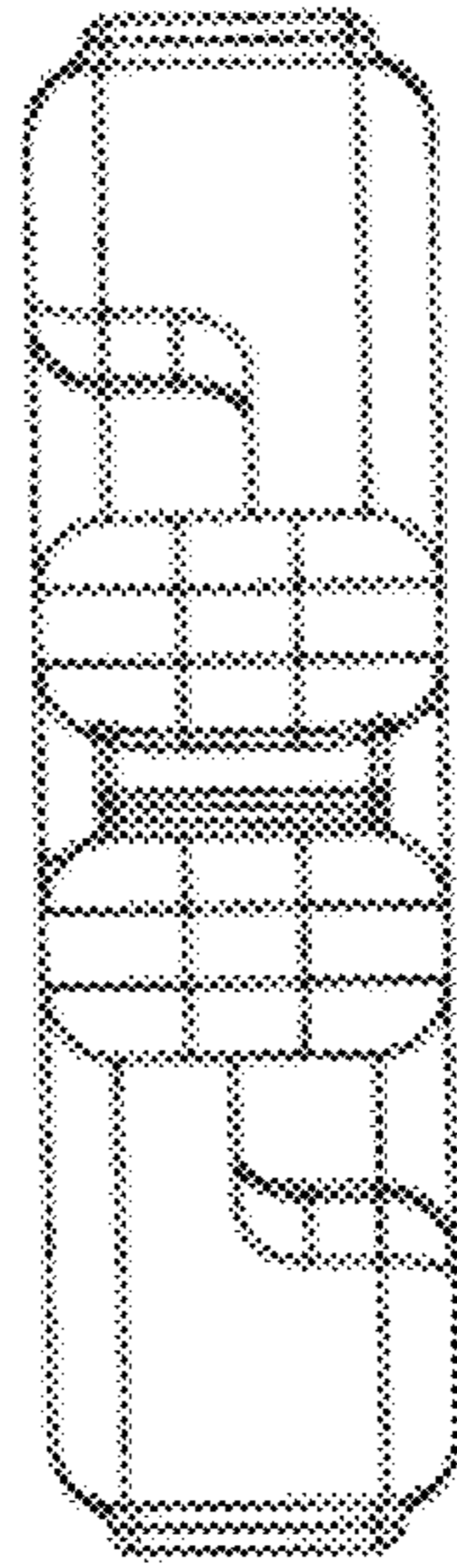


Fig. 4

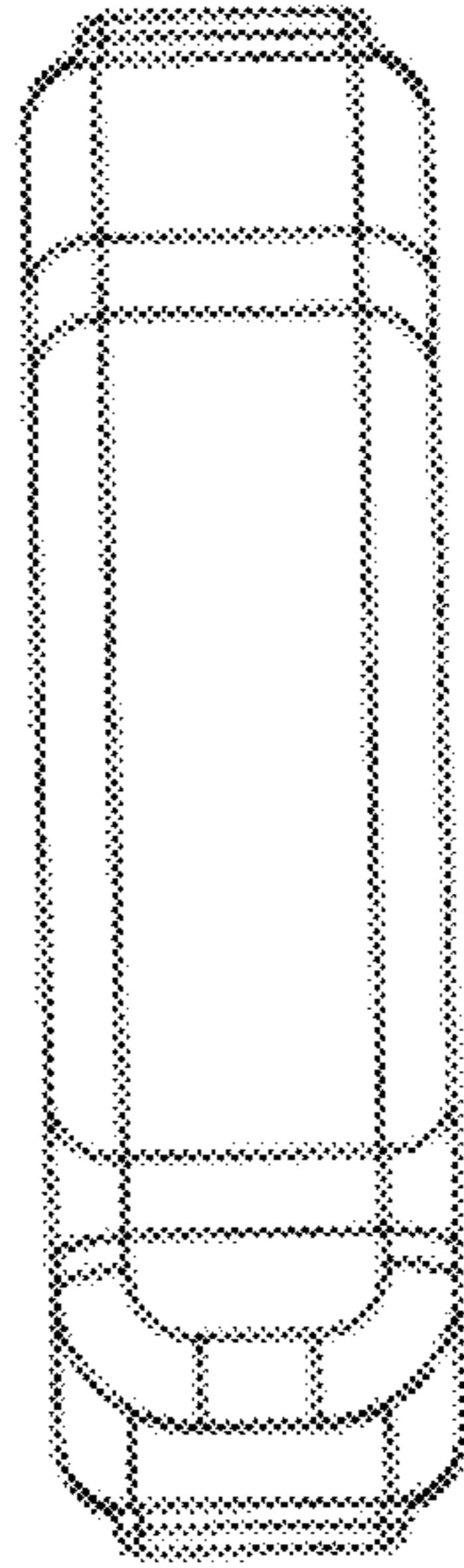


Fig. 5

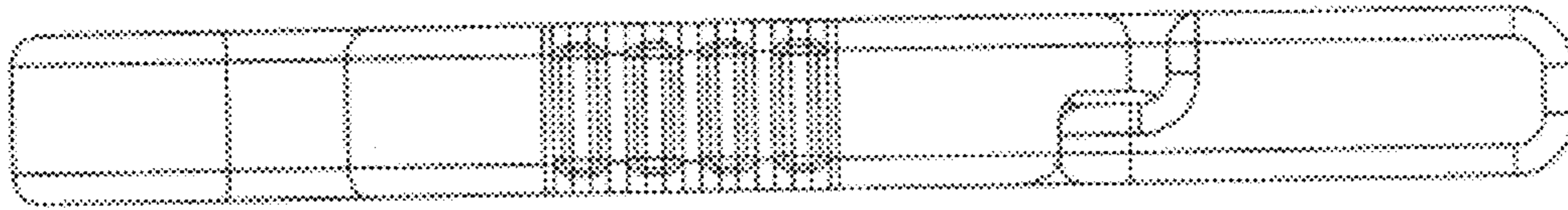


Fig. 6

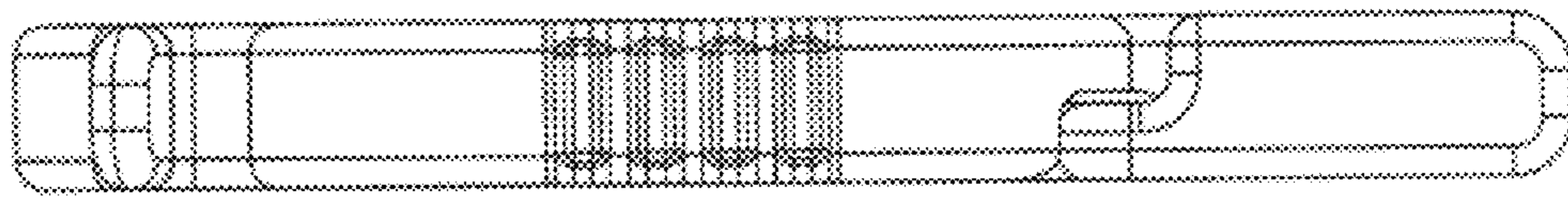


Fig. 7