



US00D659826S

(12) **United States Design Patent**  
**Dale et al.**

(10) **Patent No.:** **US D659,826 S**  
(45) **Date of Patent:** **\*\* May 15, 2012**

- (54) **TISSUE CLAMPING MEMBER**
- (75) Inventors: **Theodore P. Dale**, Corcoran, MN (US);  
**Richard J. Olson**, Blaine, MN (US)
- (73) Assignee: **St. Jude Medical, Inc.**, St. Paul, MN (US)
- (\*\*) Term: **14 Years**
- (21) Appl. No.: **29/384,765**
- (22) Filed: **Feb. 3, 2011**
- (51) **LOC (9) Cl.** ..... **24-02**
- (52) **U.S. Cl.** ..... **D24/143; D24/146**
- (58) **Field of Classification Search** ..... D24/143,  
D24/133, 145-147; D28/55; D7/368, 668,  
D7/669, 675, 683-686; D8/4, 394; 294/99.2,  
294/119; 606/1, 157, 151, 205, 210-211,  
606/148, 207  
See application file for complete search history.

- 6,056,735 A \* 5/2000 Okada et al. .... 606/1
- 6,616,683 B1 \* 9/2003 Toth et al. .... 606/210
- 7,494,501 B2 \* 2/2009 Ahlberg et al. .... 606/207
- D610,680 S \* 2/2010 Blocher ..... D24/133
- 7,862,581 B2 \* 1/2011 Zeiner et al. .... 606/207
- D632,788 S \* 2/2011 Thouement ..... D24/133

\* cited by examiner

*Primary Examiner* — Wan Laymon

(74) *Attorney, Agent, or Firm* — Lerner, David, Littenberg, Krumholz & Mentlik, LLP

(57) **CLAIM**

The ornamental design for a tissue clamping member, as shown and described.

**DESCRIPTION**

FIG. 1 is a top perspective view of a tissue clamping member showing our new design;  
 FIG. 2 is a right side view thereof, the left side view being a mirror image of the right side view;  
 FIG. 3 is a front view thereof;  
 FIG. 4 is a rear view thereof;  
 FIG. 5 is a top plan view thereof; and,  
 FIG. 6 is a bottom plan view thereof.  
 The broken lines shown portion of a tissue clamping member form no part of the claimed design.

**1 Claim, 3 Drawing Sheets**

(56) **References Cited**

U.S. PATENT DOCUMENTS

- 3,972,333 A \* 8/1976 Leveen ..... 606/210
- 4,693,246 A \* 9/1987 Reimels ..... 606/148
- 4,976,718 A \* 12/1990 Daniell ..... D24/143
- 5,222,973 A \* 6/1993 Sharpe et al. .... D24/143
- 5,507,758 A \* 4/1996 Thomason et al. .... 606/148

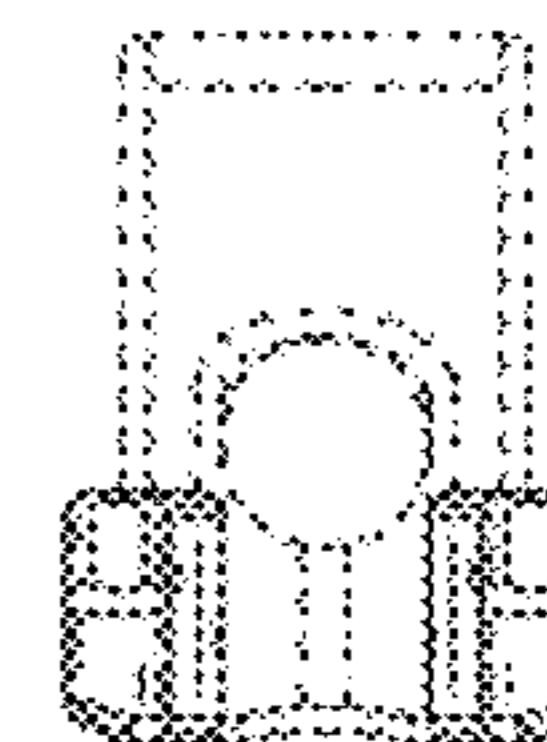
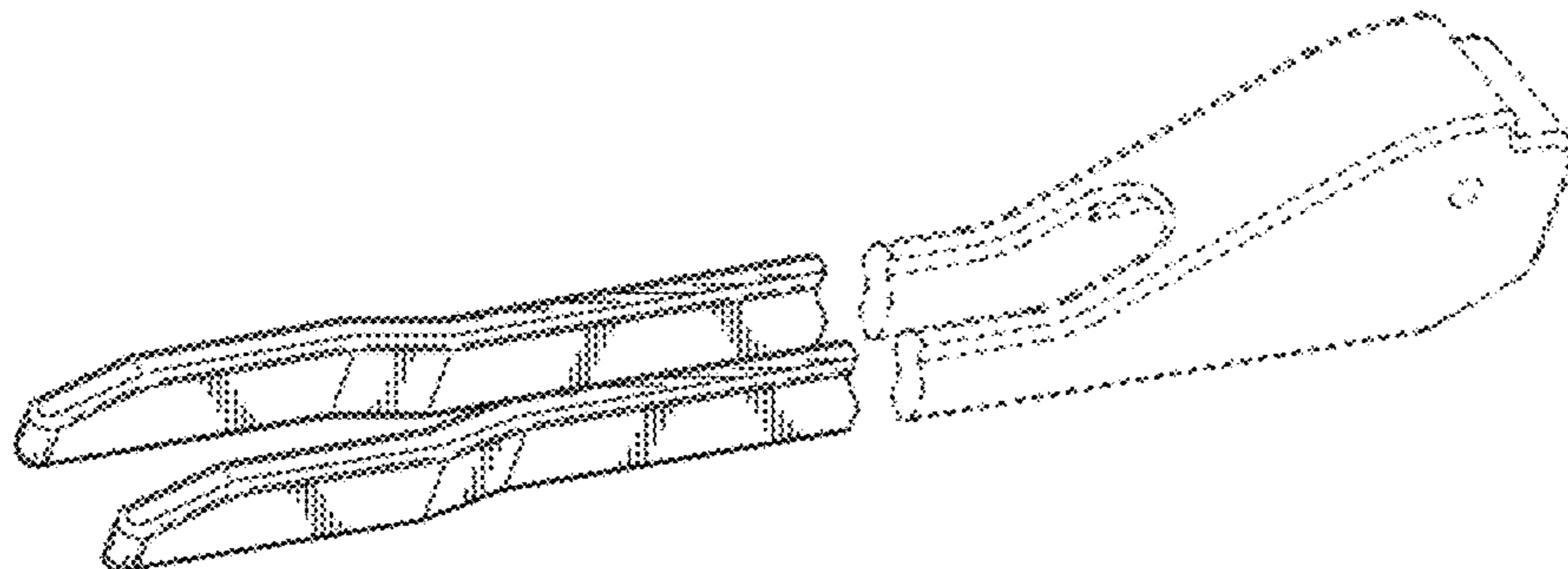


FIG. 1

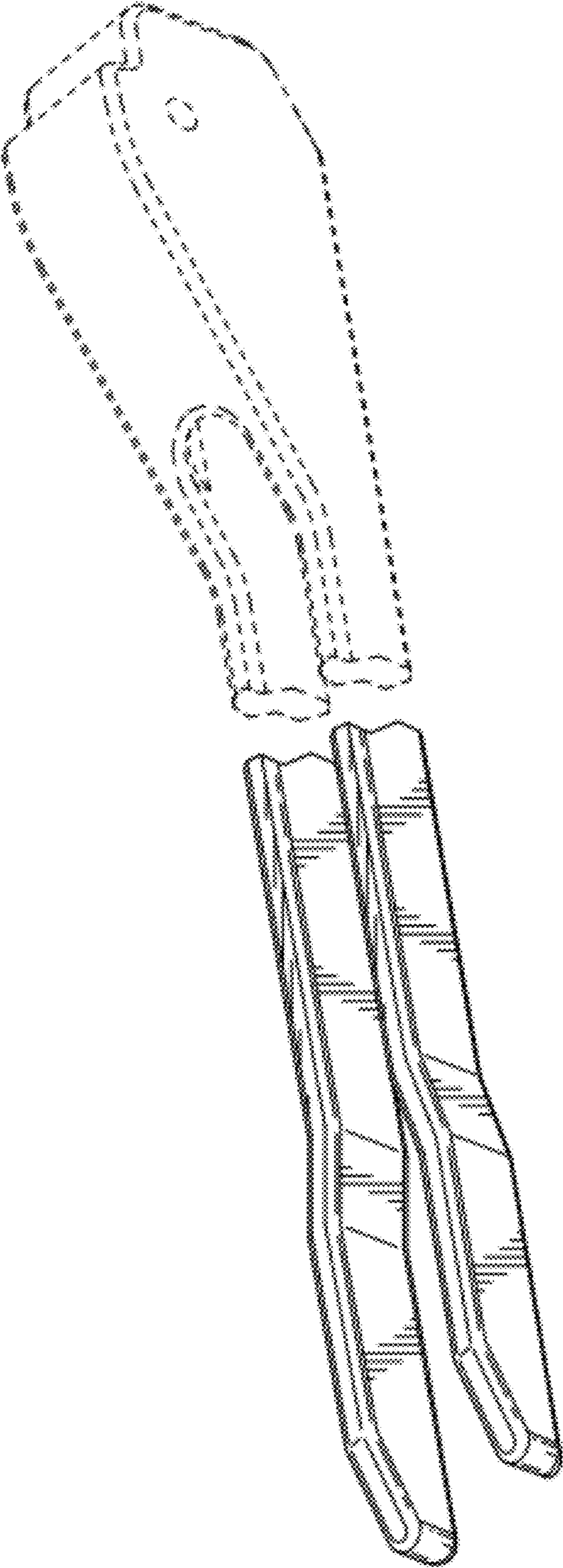


FIG. 2

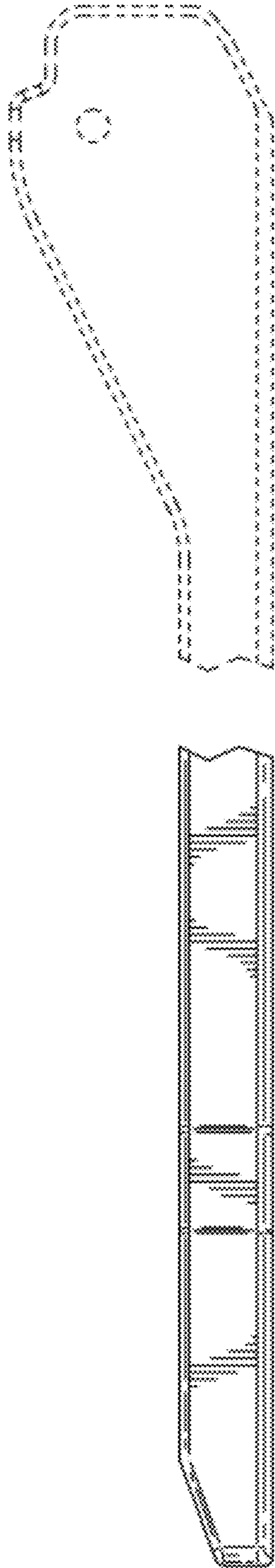


FIG. 3

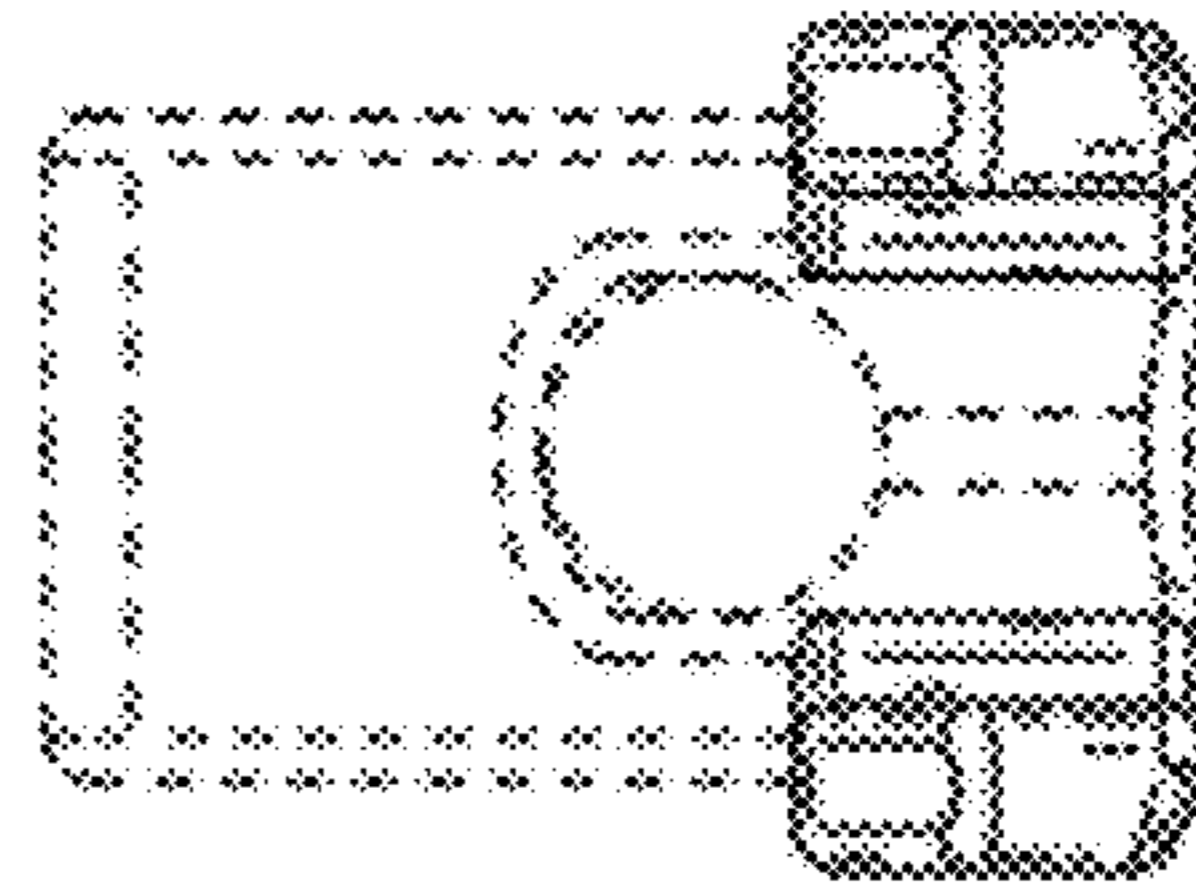


FIG. 4

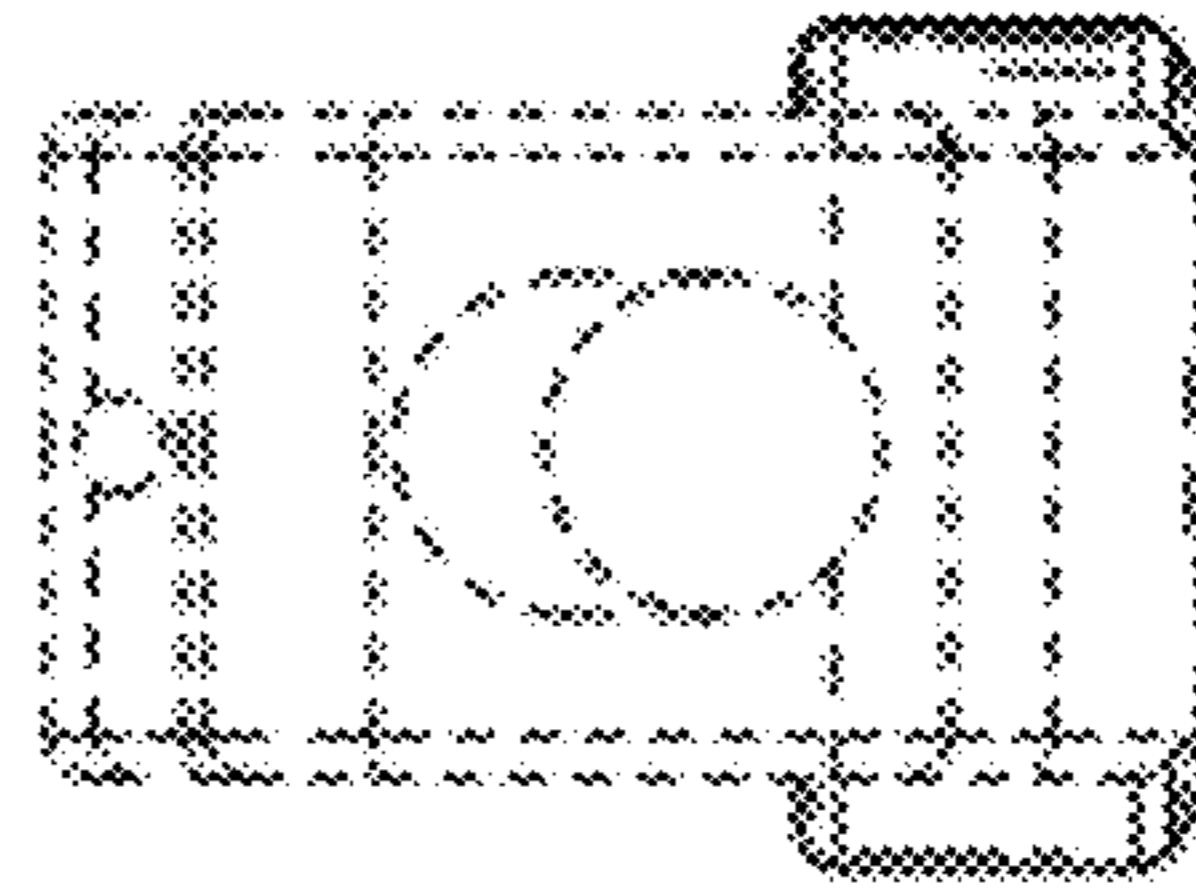


FIG. 5

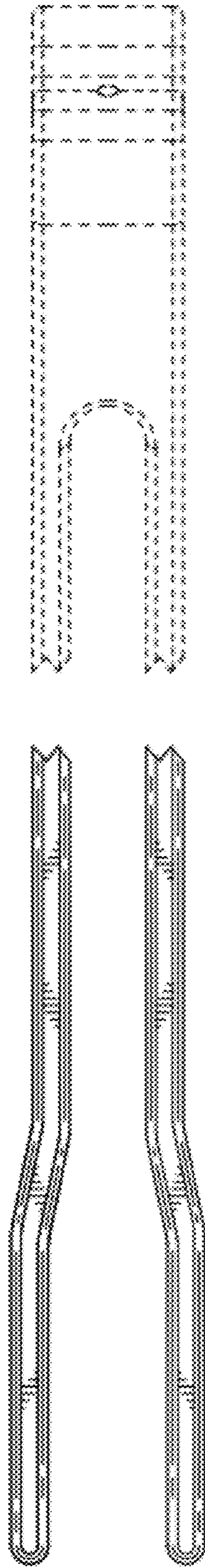


FIG. 6

