



US00D659824S

(12) **United States Design Patent**  
**Kwok**

(10) **Patent No.:** **US D659,824 S**

(45) **Date of Patent:** **\*\* May 15, 2012**

(54) **DENTAL HIGH-VOLUME SUCTION CUP  
EVACUATOR WITH VENTING**

(76) Inventor: **Lloyd A. Kwok**, Burlingame, CA (US)

(\*\*) Term: **14 Years**

(21) Appl. No.: **29/373,987**

(22) Filed: **Jun. 15, 2011**

(51) **LOC (9) Cl.** ..... **24-02**

(52) **U.S. Cl.** ..... **D24/113; D24/108; D24/176**

(58) **Field of Classification Search** ..... **D24/108,**  
**D24/111, 133, 147, 152, 176-177, 113, 112;**  
**433/91-96, 136, 140**

See application file for complete search history.

(56) **References Cited**

**U.S. PATENT DOCUMENTS**

2,005,625	A *	6/1935	La Riche	.....	433/91
3,101,544	A *	8/1963	Baughan	.....	433/94
3,319,628	A *	5/1967	Halligan	.....	D24/129
3,742,607	A *	7/1973	Johnson	.....	433/91
3,864,831	A *	2/1975	Drake	.....	433/91
D239,116	S *	3/1976	Johnson	.....	D24/113
4,015,336	A *	4/1977	Johnson	.....	433/95
4,017,975	A *	4/1977	Johnson	.....	433/94
4,081,176	A *	3/1978	Johnson	.....	433/95
D277,604	S *	2/1985	Keresztes et al.	.....	D24/113

**OTHER PUBLICATIONS**

LAK Suction Cup. [Retrieved on Feb. 15, 2012]. Retrieved from the Internet: <URL: [http://www.lakdental.com/product\\_page\\_detail.asp?productid=96&productcatid=31](http://www.lakdental.com/product_page_detail.asp?productid=96&productcatid=31)>.\*

\* cited by examiner

*Primary Examiner* — Wan Laymon

(74) *Attorney, Agent, or Firm* — Thomas M. Freiburger

(57) **CLAIM**

The ornamental design for a dental high-volume suction cup evacuator with venting, substantially as shown and described.

**DESCRIPTION**

FIG. 1 is a frontal perspective view of a dental high-volume suction cup evacuator with venting according to my new design;

FIG. 2 is a front elevation view thereof;

FIG. 3 is a left side elevation view thereof, the right side elevation view being a mirror image;

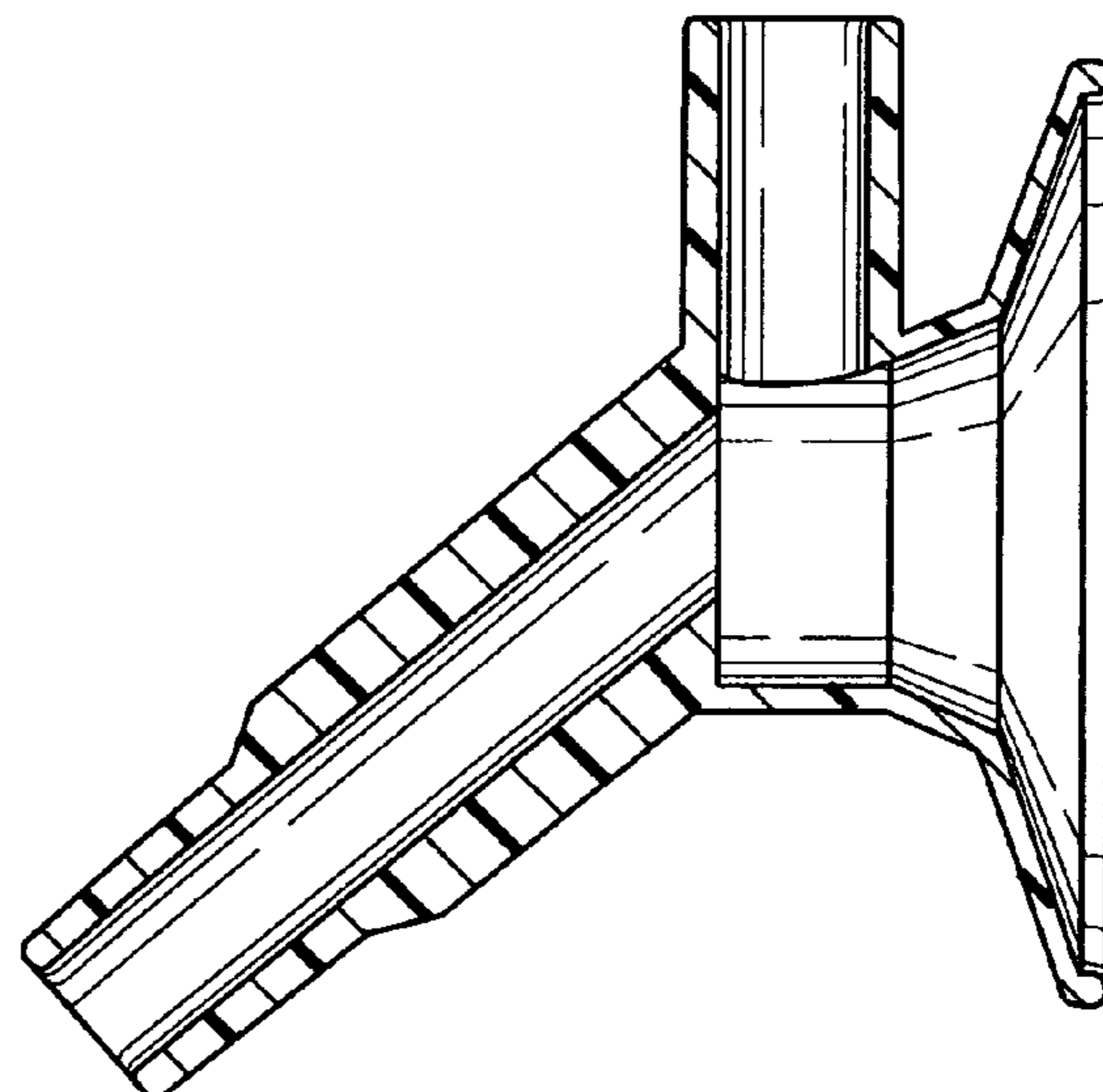
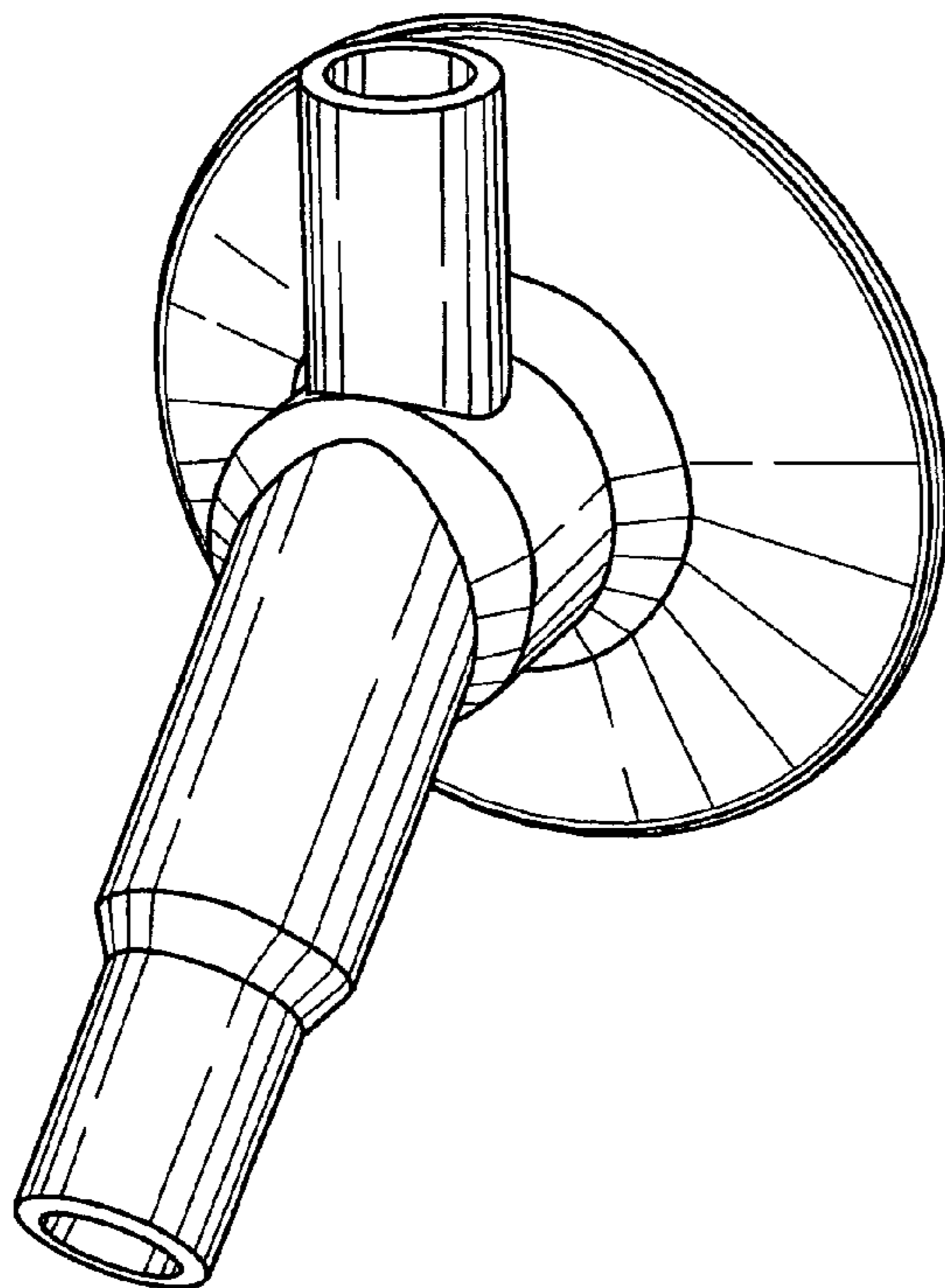
FIG. 4 is a sectional view of a dental high-volume suction cup evacuator with venting, as seen along the line 4-4 in FIG. 2;

FIG. 5 is a top plan view of FIG. 1;

FIG. 6 is a bottom plan view thereof; and,

FIG. 7 is a rear elevation view thereof.

**1 Claim, 2 Drawing Sheets**



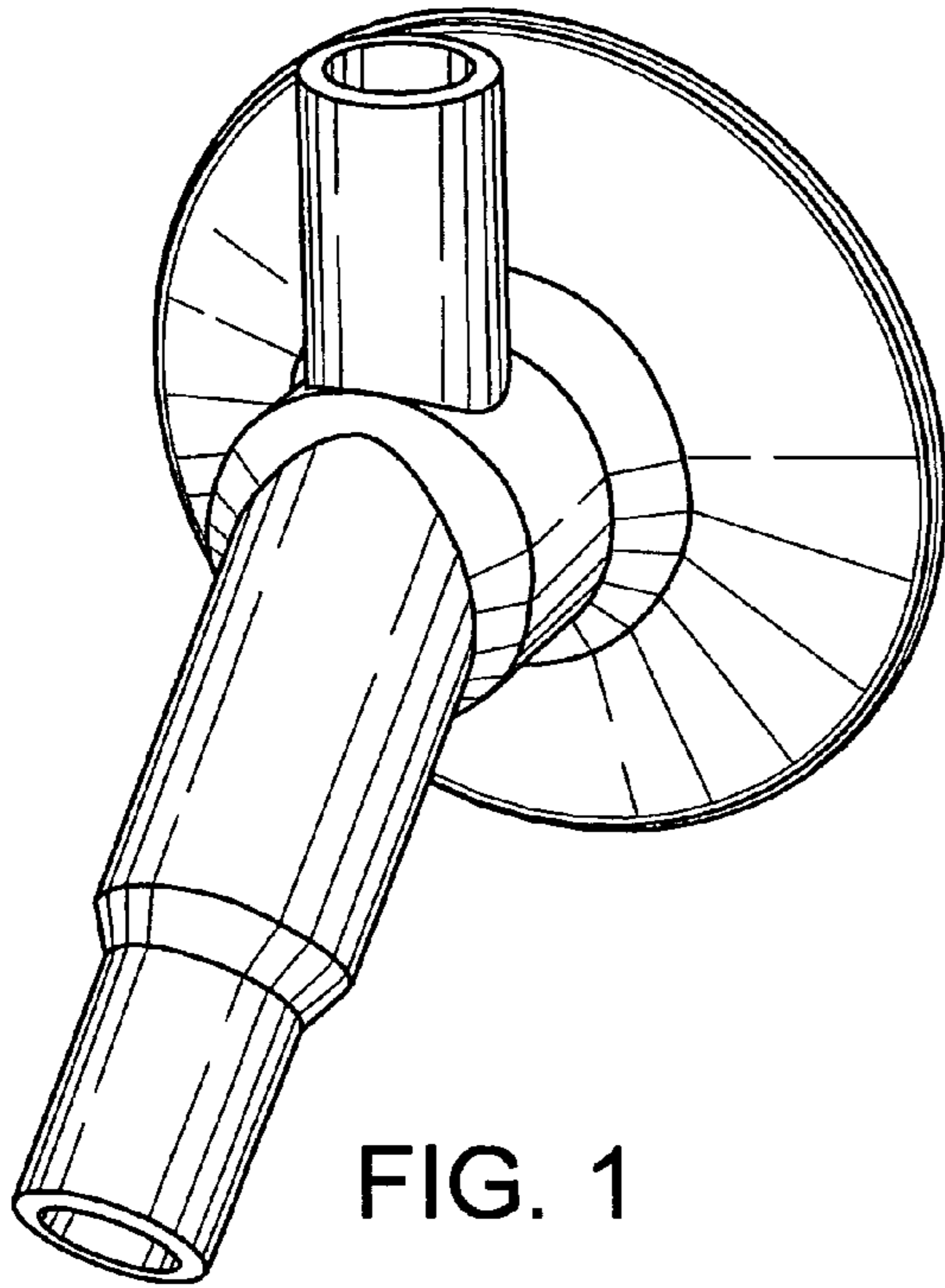


FIG. 1

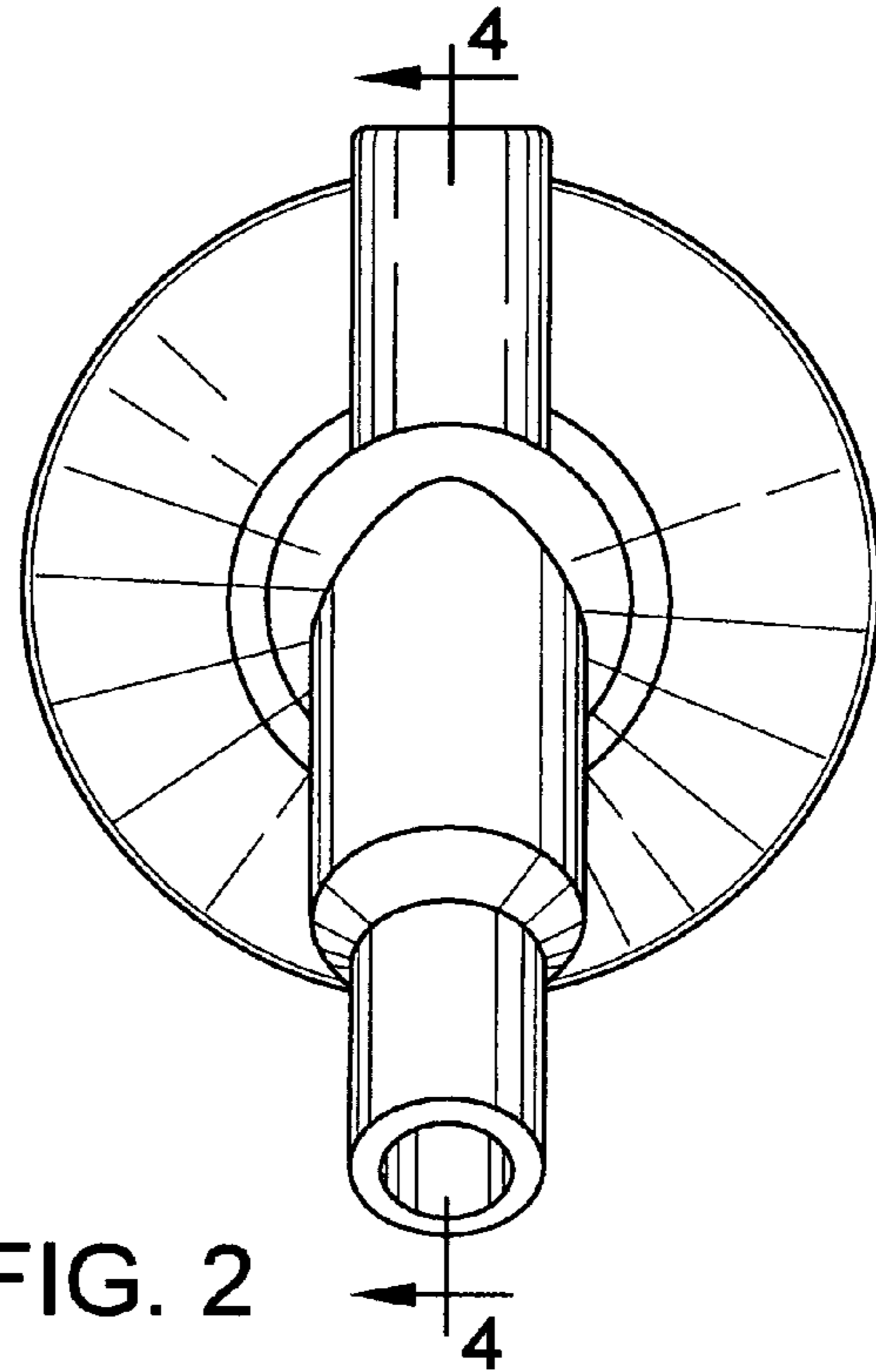


FIG. 2

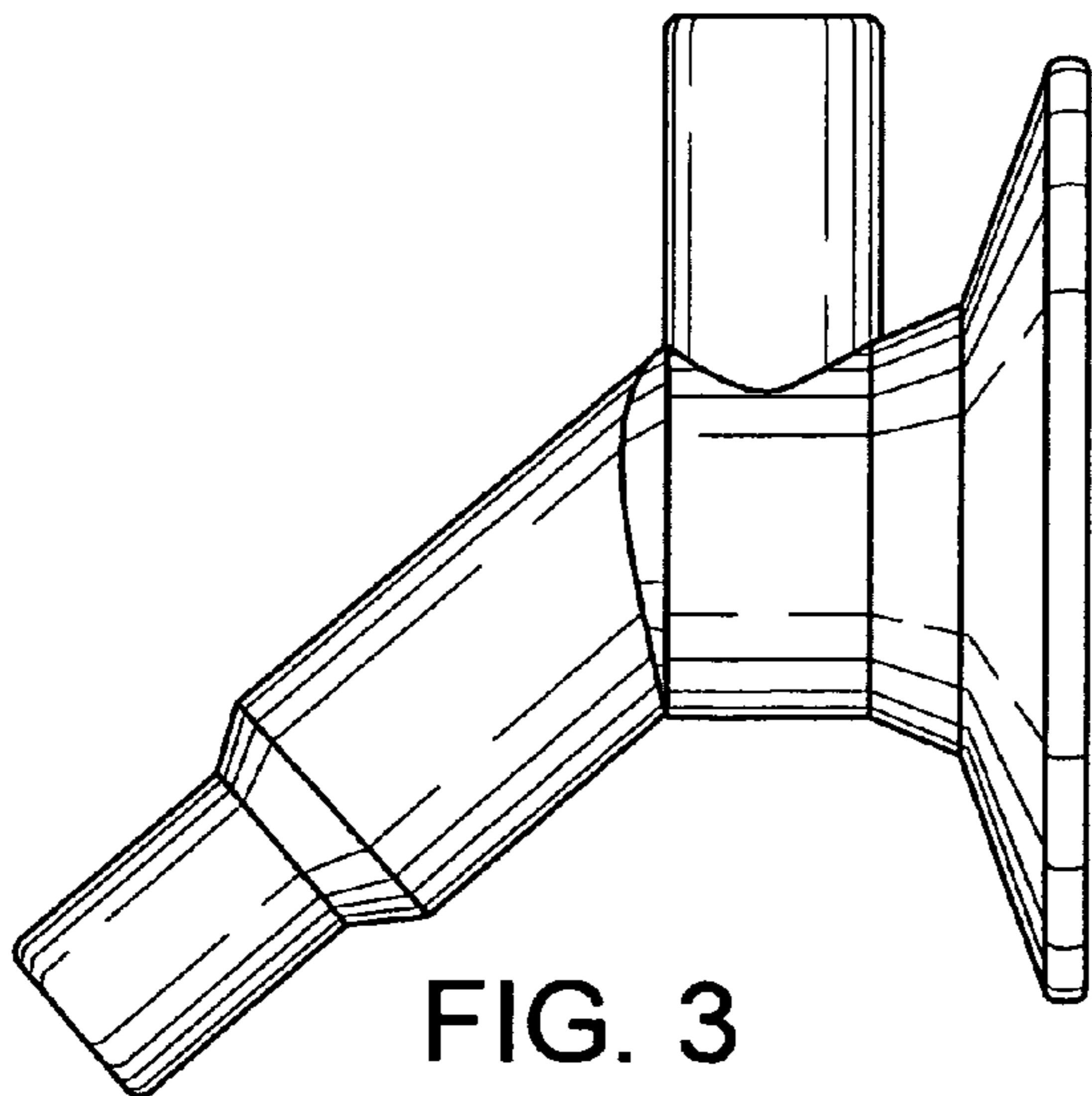


FIG. 3

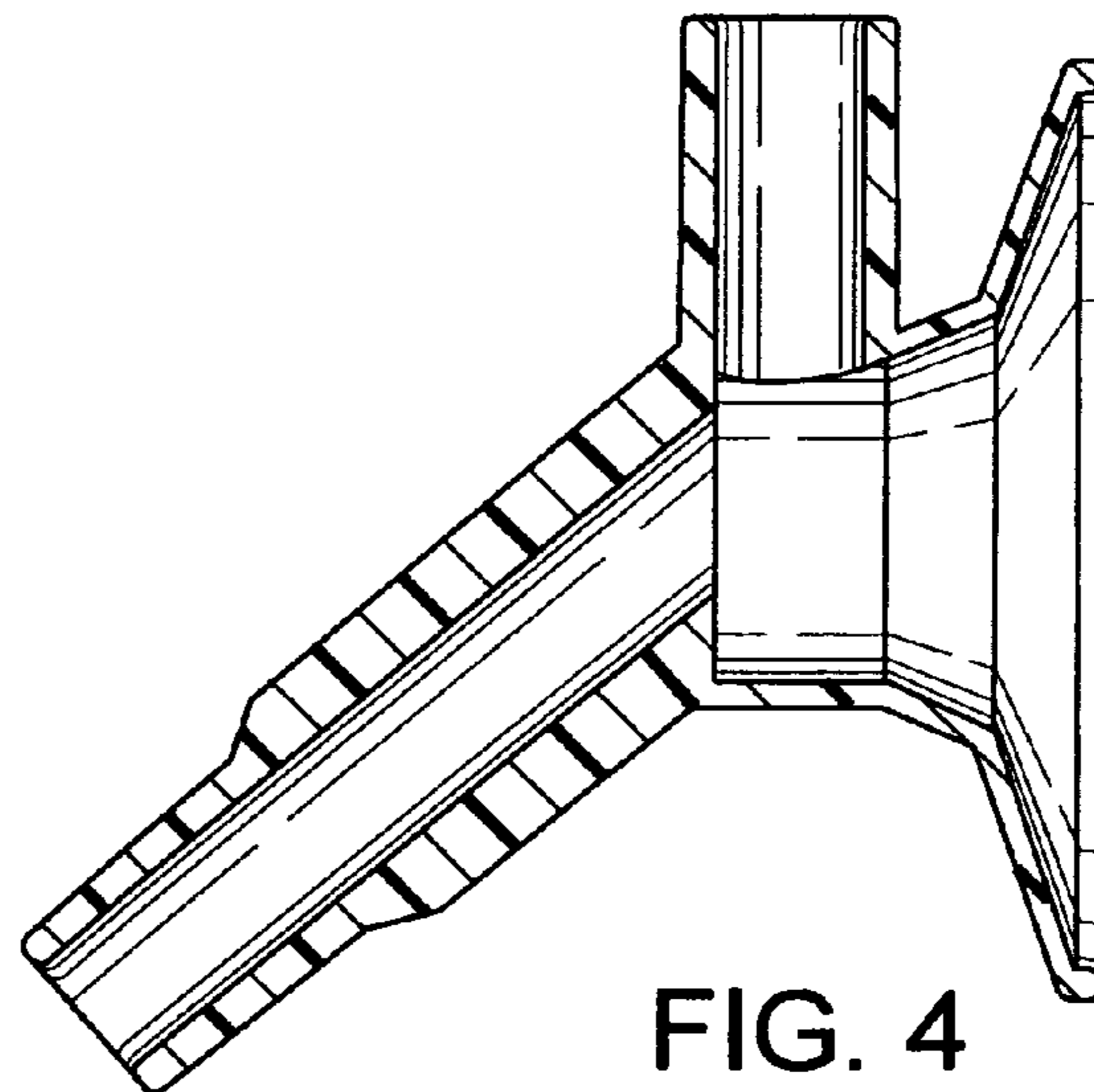


FIG. 4

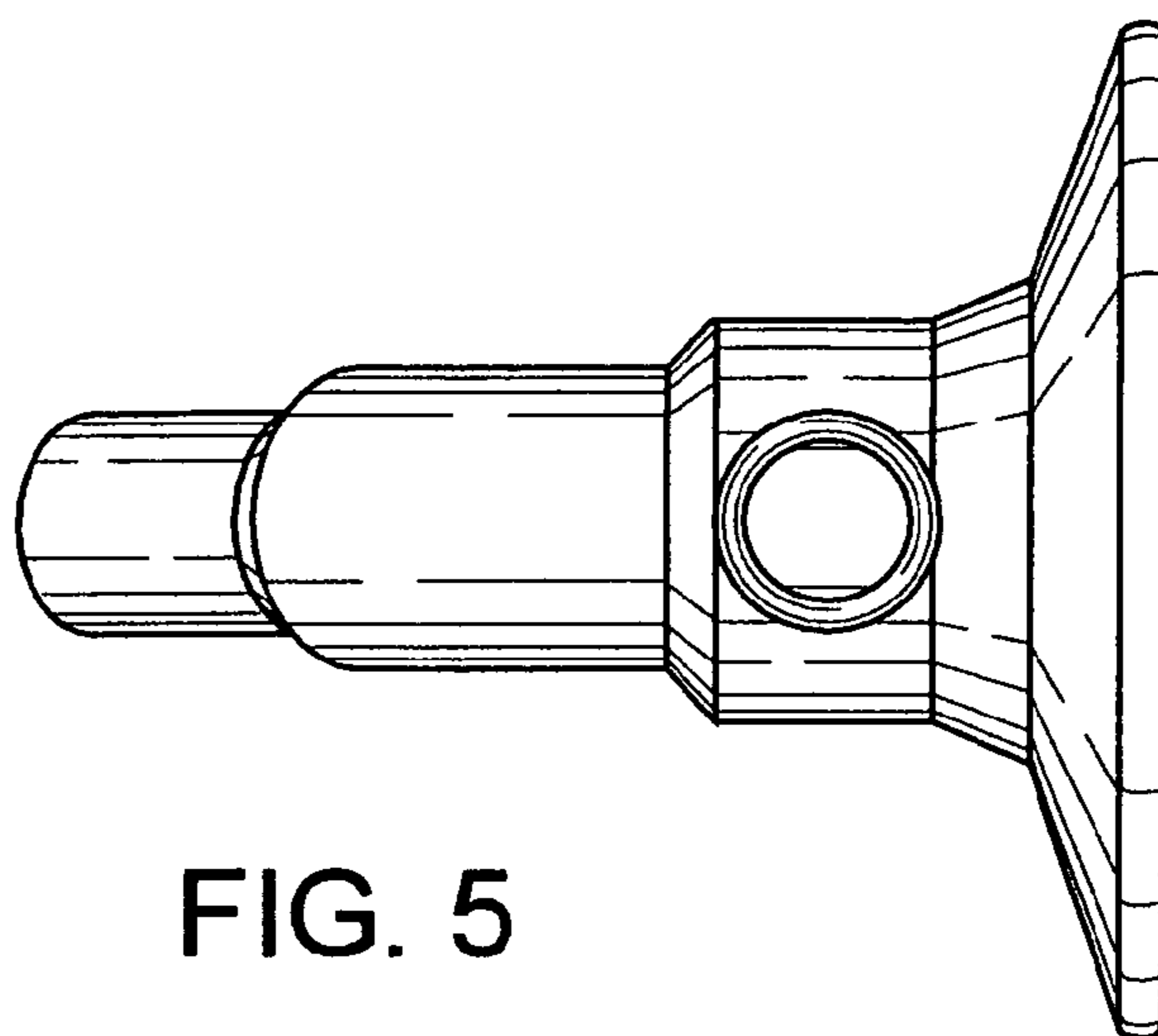


FIG. 5

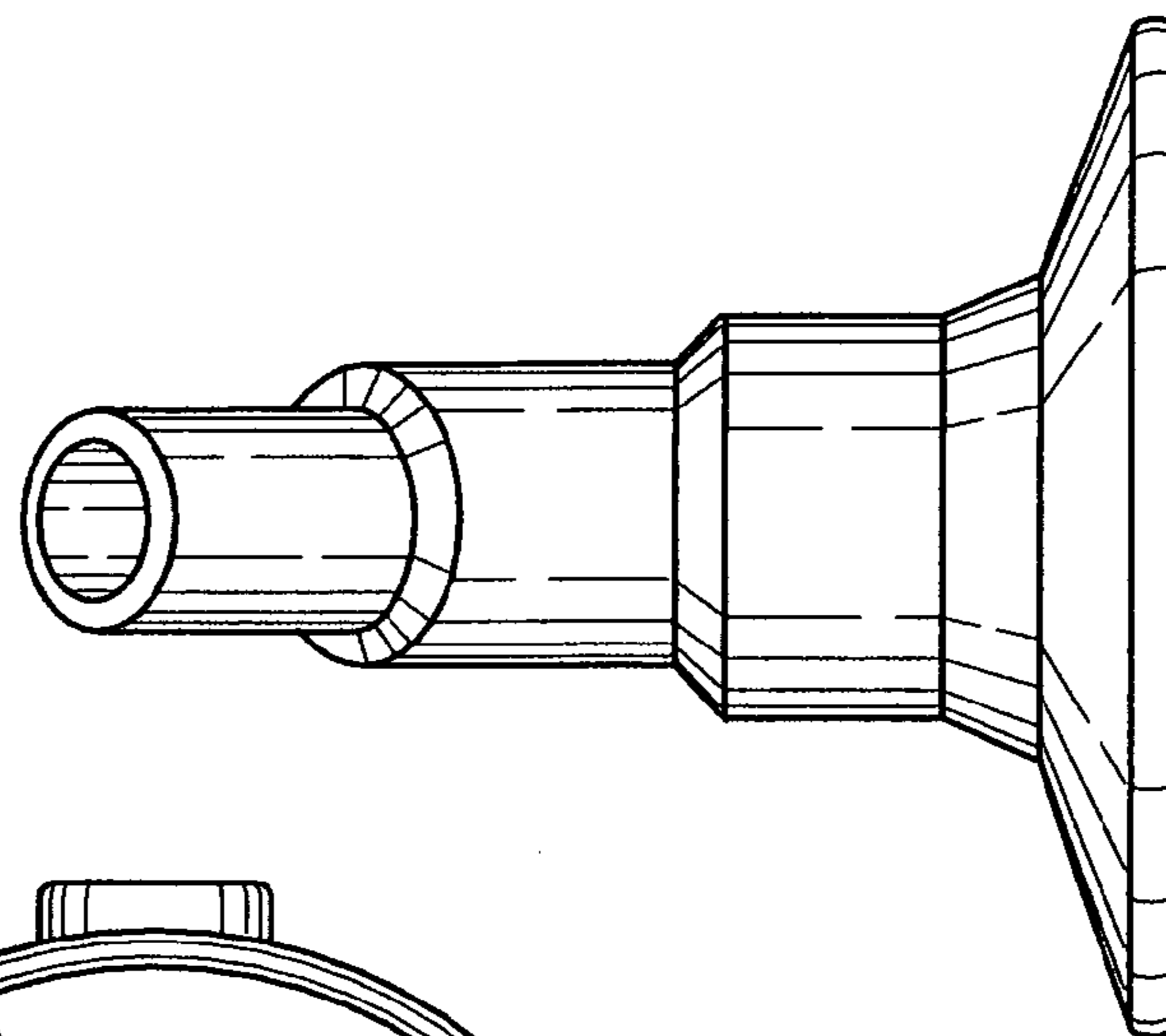


FIG. 6

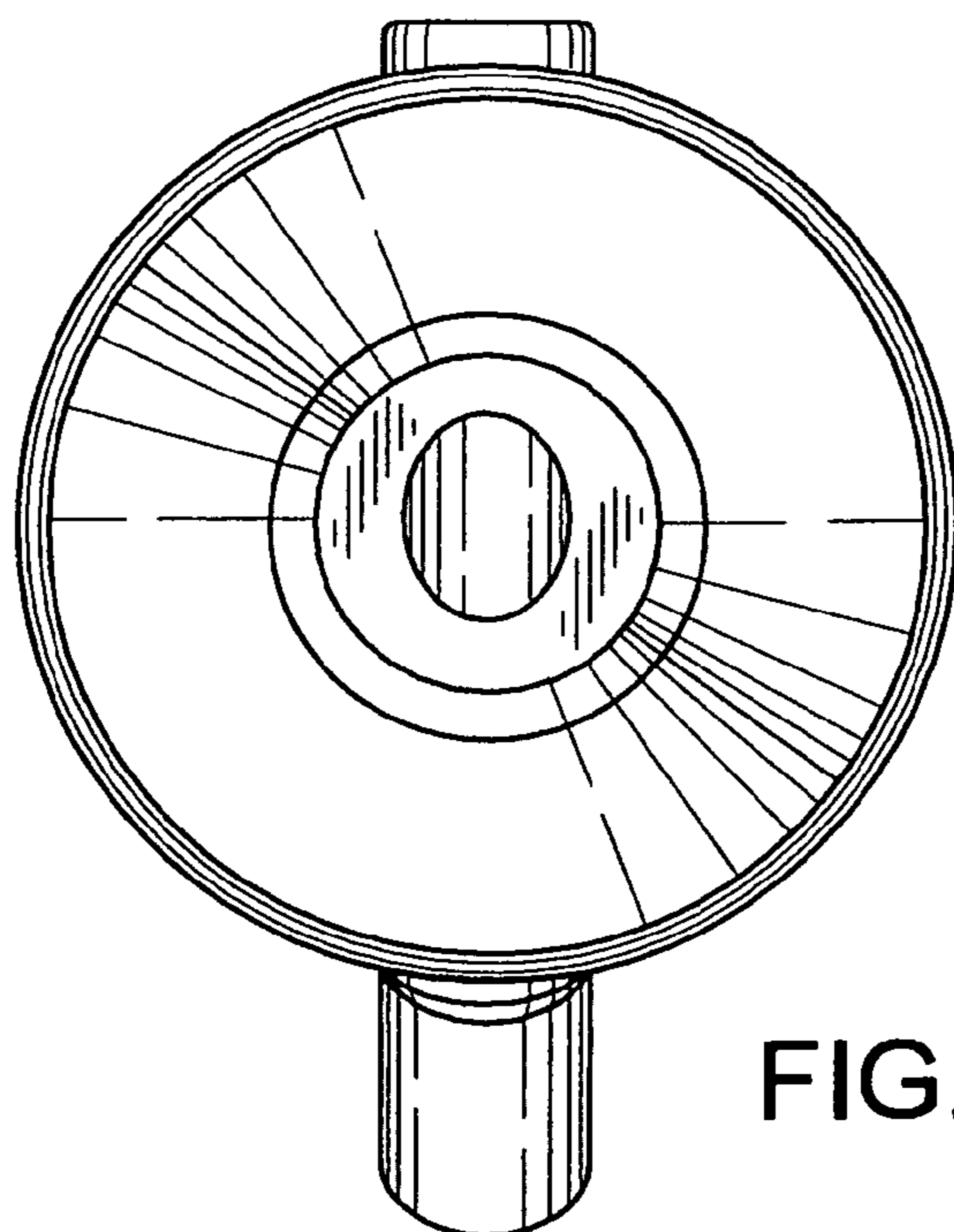


FIG. 7