



US00D659823S

(12) **United States Design Patent**
Matula, Jr. et al.

(10) **Patent No.:** **US D659,823 S**
(45) **Date of Patent:** **** May 15, 2012**

(54) **FACE MASK ASSEMBLY**

(75) Inventors: **Jerome Matula, Jr.**, Apollo, PA (US);
Derrick Andrews, Markleton, PA (US)

(73) Assignee: **Koninklijke Philips Electronics N.V.**,
Eindhoven (NL)

(**) Term: **14 Years**

(21) Appl. No.: **29/344,156**

(22) Filed: **Sep. 24, 2009**

(51) **LOC (9) Cl.** **29-02**

(52) **U.S. Cl.** **D24/110.1; D24/110.4; D24/110.5**

(58) **Field of Classification Search** D24/111,
D24/110.1, 110.4, 110.5, 164; D29/108;
128/204.11, 204.18, 205.25, 206.12, 206.14,
128/206.21, 206.24, 206.26, 206.27, 206.28,
128/206.29, 207.11, 207.13

See application file for complete search history.

(56) **References Cited**

U.S. PATENT DOCUMENTS

D402,755 S	*	12/1998	Kwok	D24/110.4
D435,650 S	*	12/2000	Kwok	D24/110.1
D492,992 S	*	7/2004	Guney et al.	D24/110.1
D506,827 S	*	6/2005	Jones et al.	D24/110.1
D519,206 S	*	4/2006	Jones et al.	D24/110.1
D539,418 S	*	3/2007	Jones et al.	D24/110.1

D555,785 S	*	11/2007	McAuley et al.	D24/110.1
D556,898 S	*	12/2007	Guney et al.	D24/110.1
D557,411 S	*	12/2007	Smart et al.	D24/110.1
D583,930 S	*	12/2008	McAuley et al.	D24/110.1
D595,841 S	*	7/2009	McAuley et al.	D24/110.1
D639,932 S	*	6/2011	D'Souza et al.	D24/110.1
2008/0006277 A1	*	1/2008	Worboys et al.	128/207.13
2008/0149105 A1		6/2008	Matula et al.		
2011/0114096 A1	*	5/2011	Matula et al.	128/206.24
2011/0155139 A1	*	6/2011	Ho et al.	128/206.24
2011/0277770 A1	*	11/2011	Chang	128/206.21

* cited by examiner

Primary Examiner — Wan Laymon

(74) *Attorney, Agent, or Firm* — Michael W. Haas

(57) **CLAIM**

The ornamental design for a face mask assembly, as shown and described.

DESCRIPTION

FIG. 1 is a perspective view of a face mask assembly showing our design;

FIG. 2 is a front elevational view thereof;

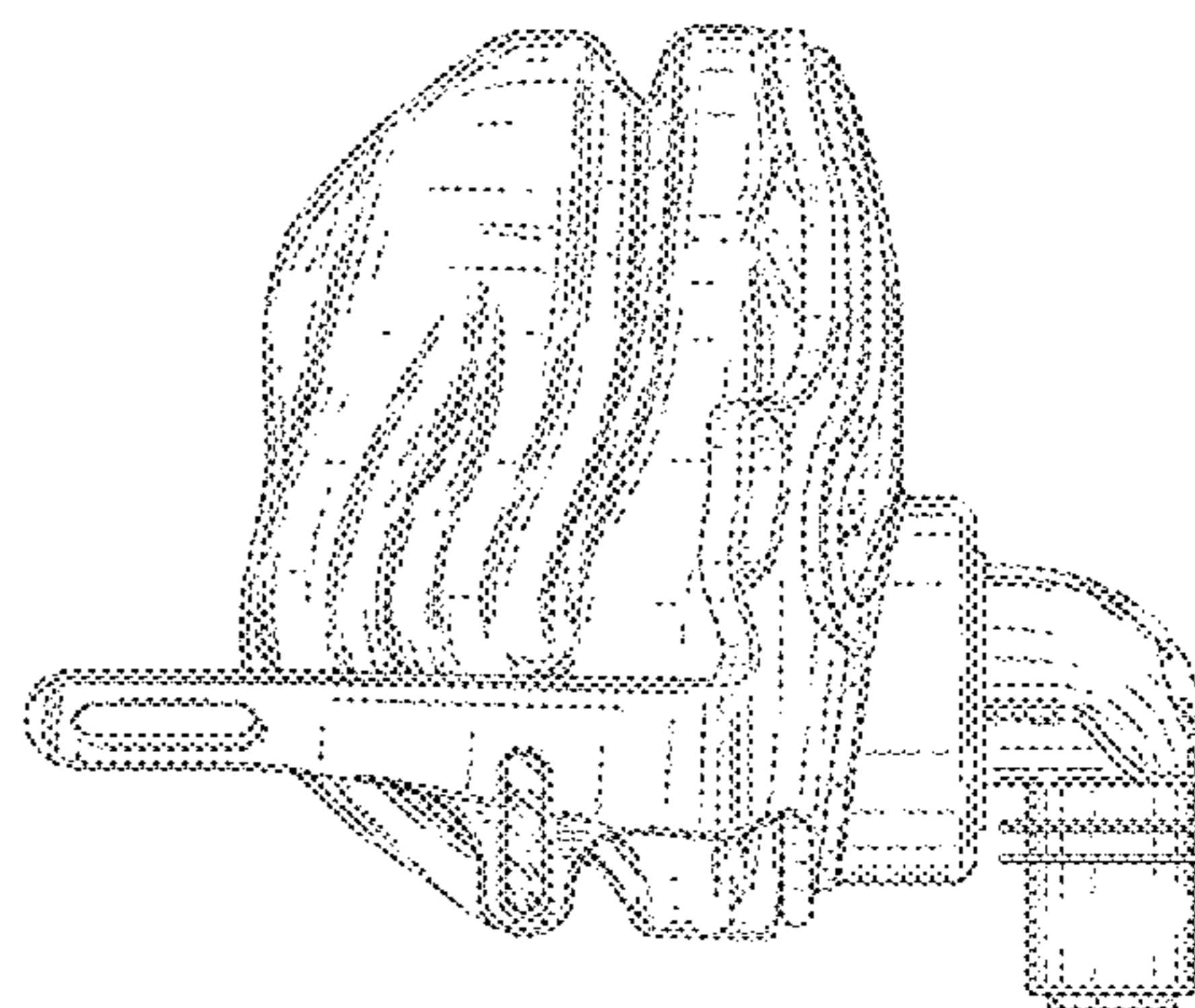
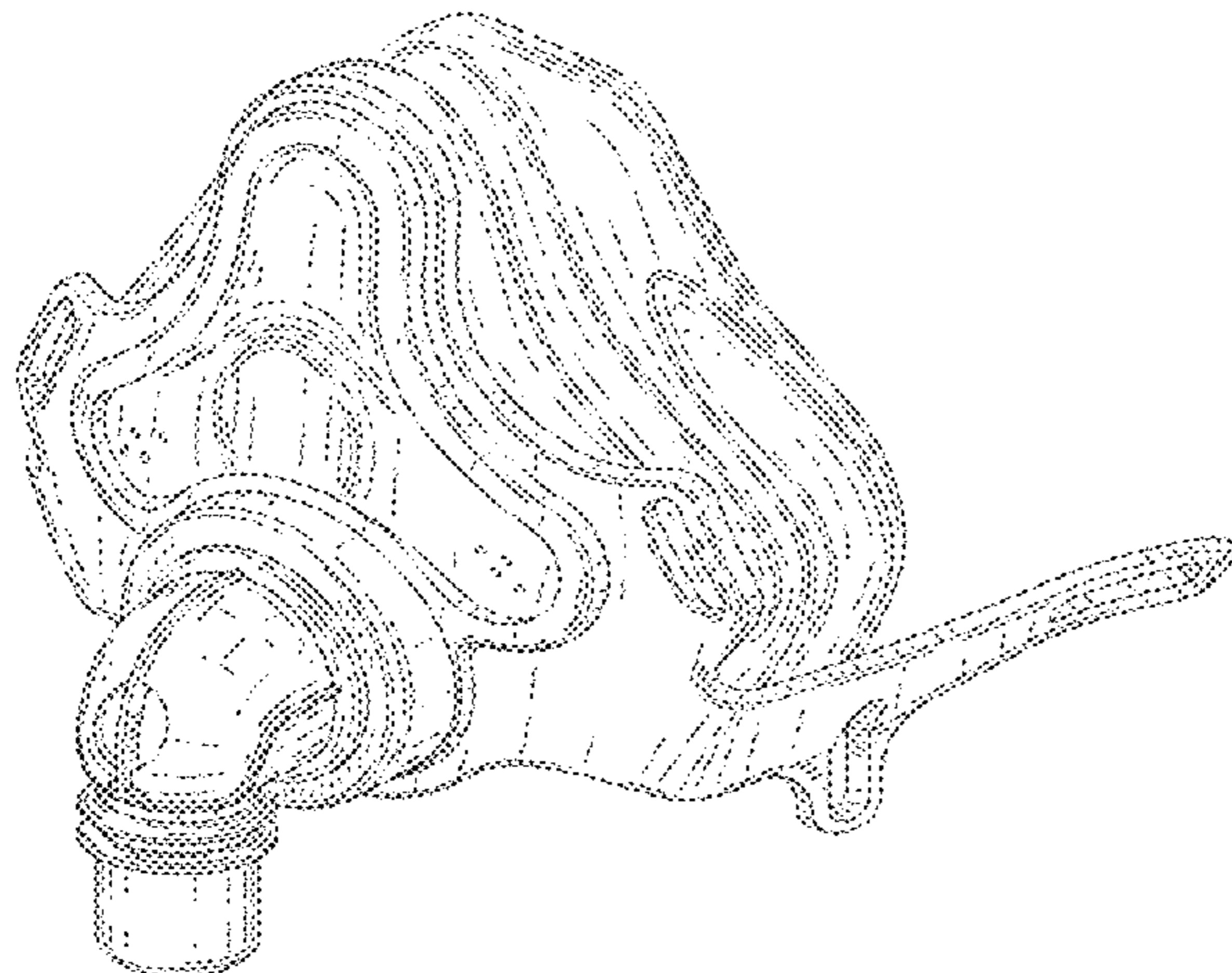
FIG. 3 is a rear elevational view thereof, the broken lines in FIG. 3 are included for the purpose of illustrating a portion of the face mask assembly that form no part of the claimed design;

FIG. 4 is a right side elevational view thereof;

FIG. 5 is a top plan view thereof; and,

FIG. 6 is a bottom plan view thereof.

1 Claim, 6 Drawing Sheets



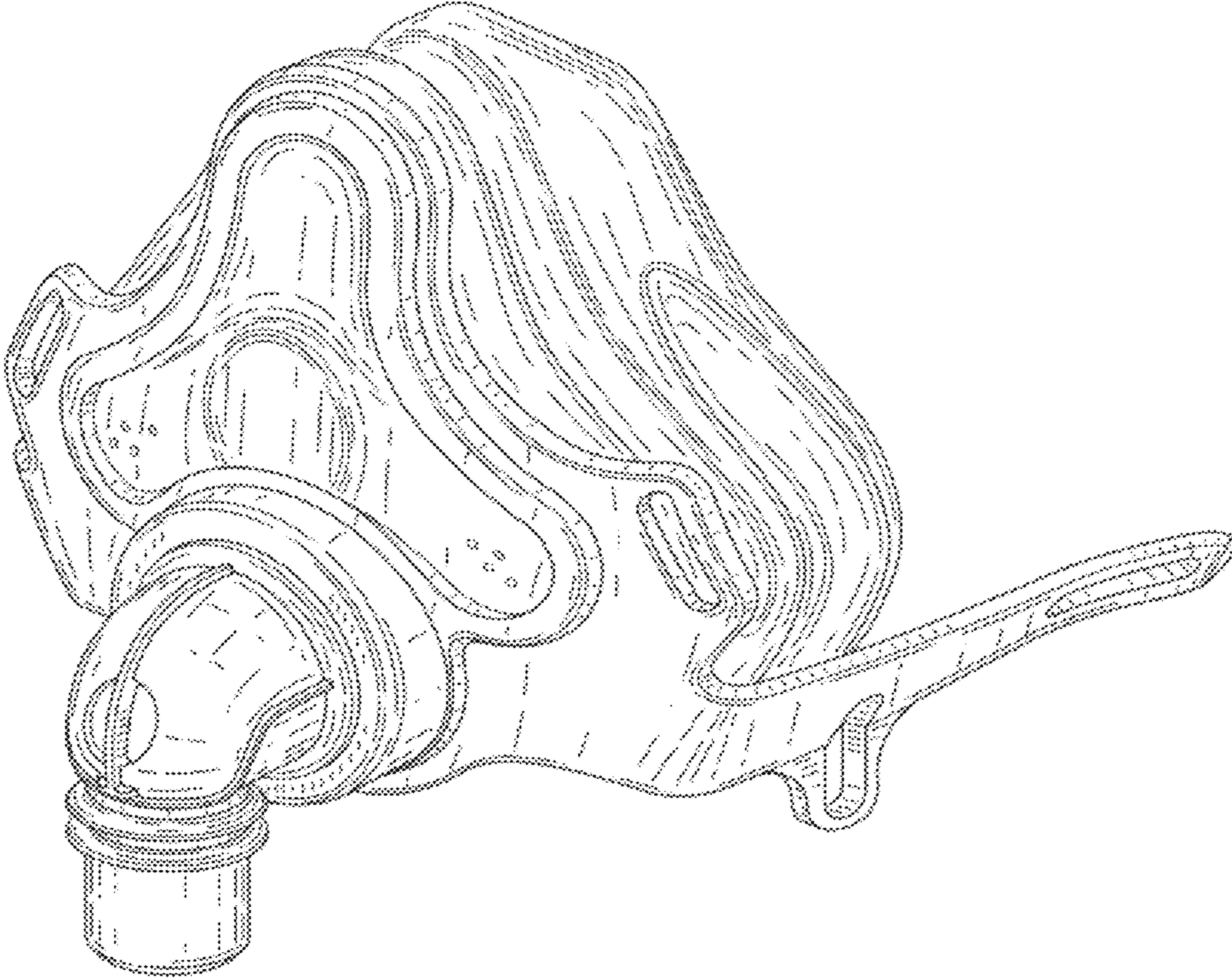


FIG. 1

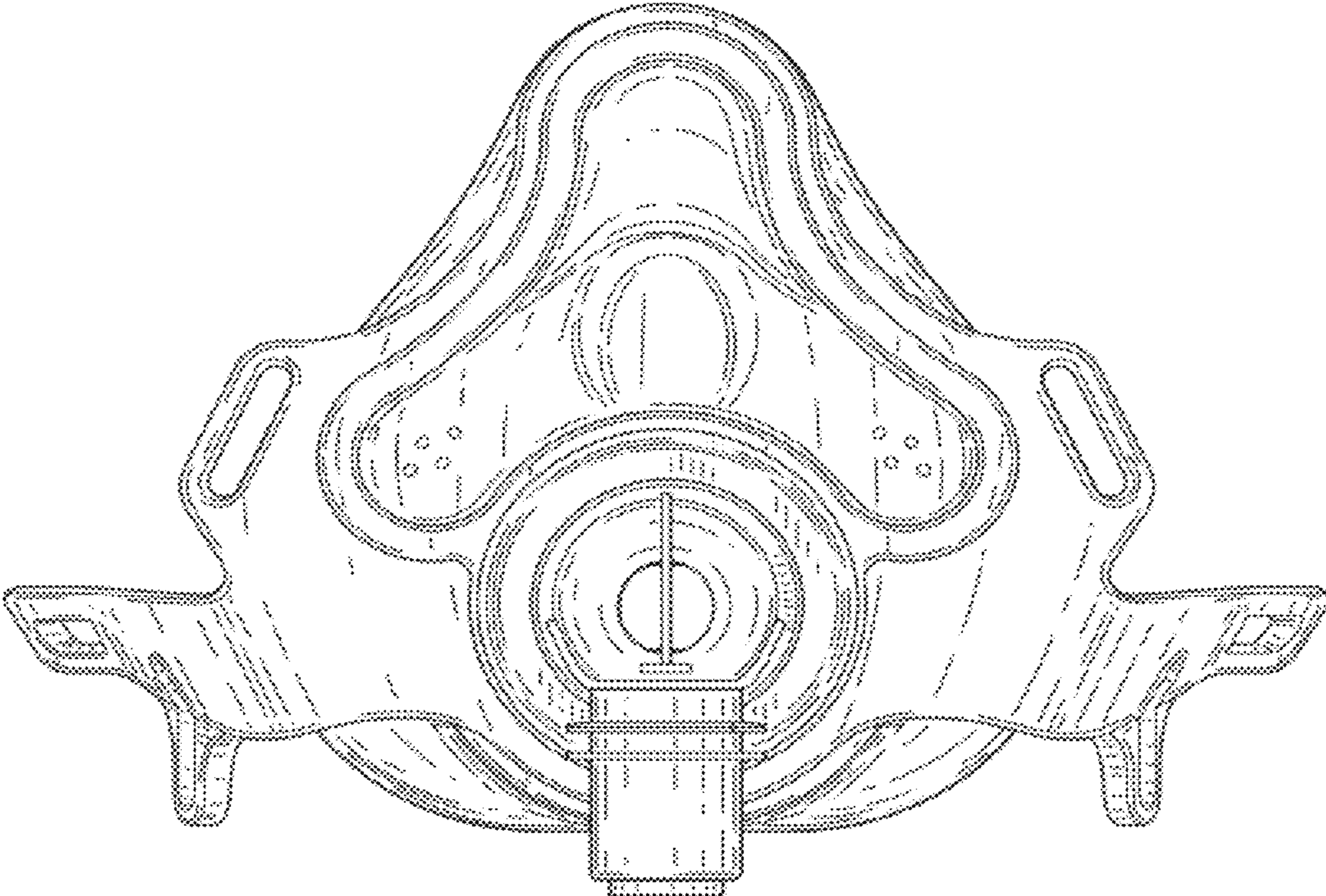


FIG. 2

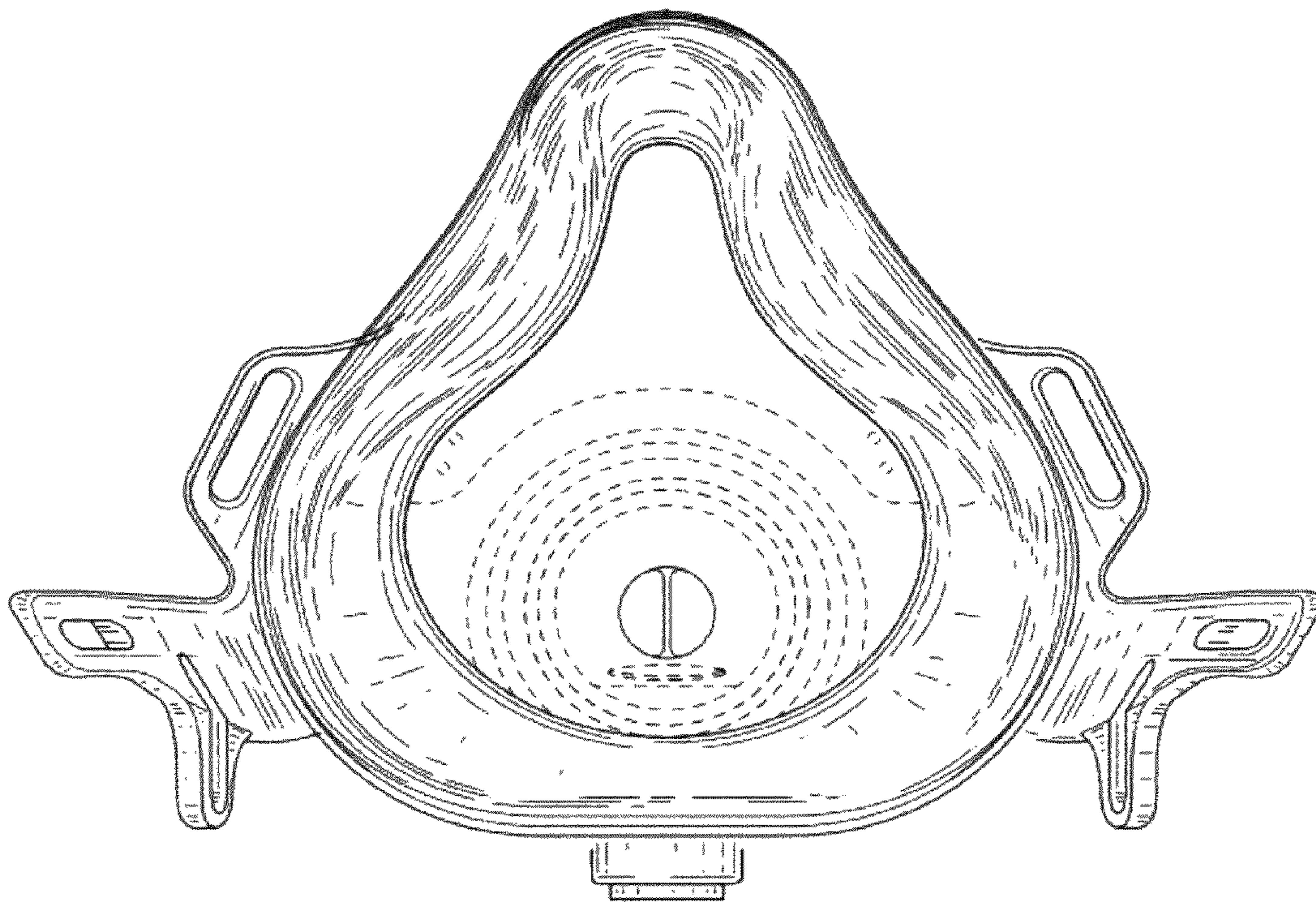


FIG. 3

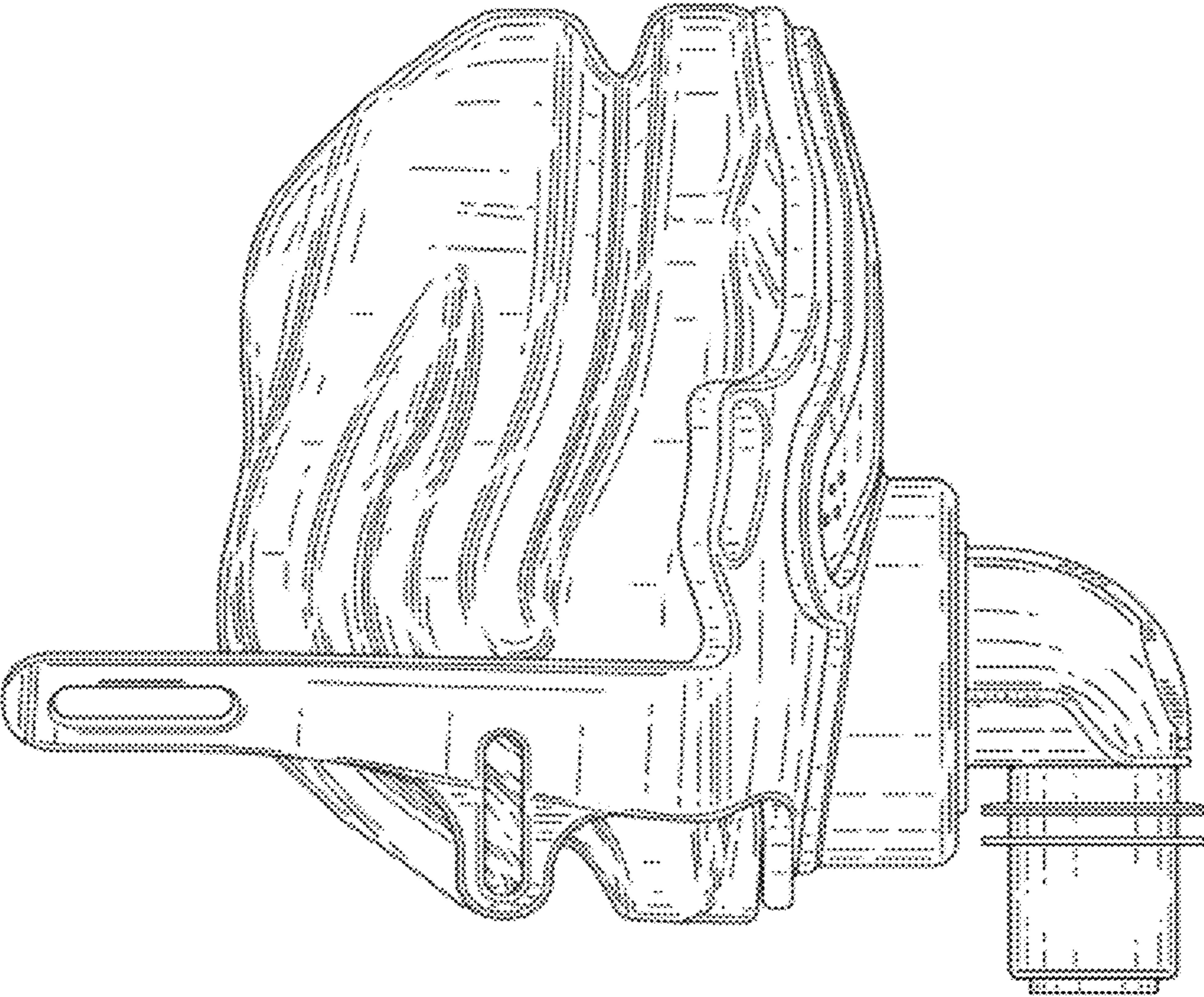


FIG. 4

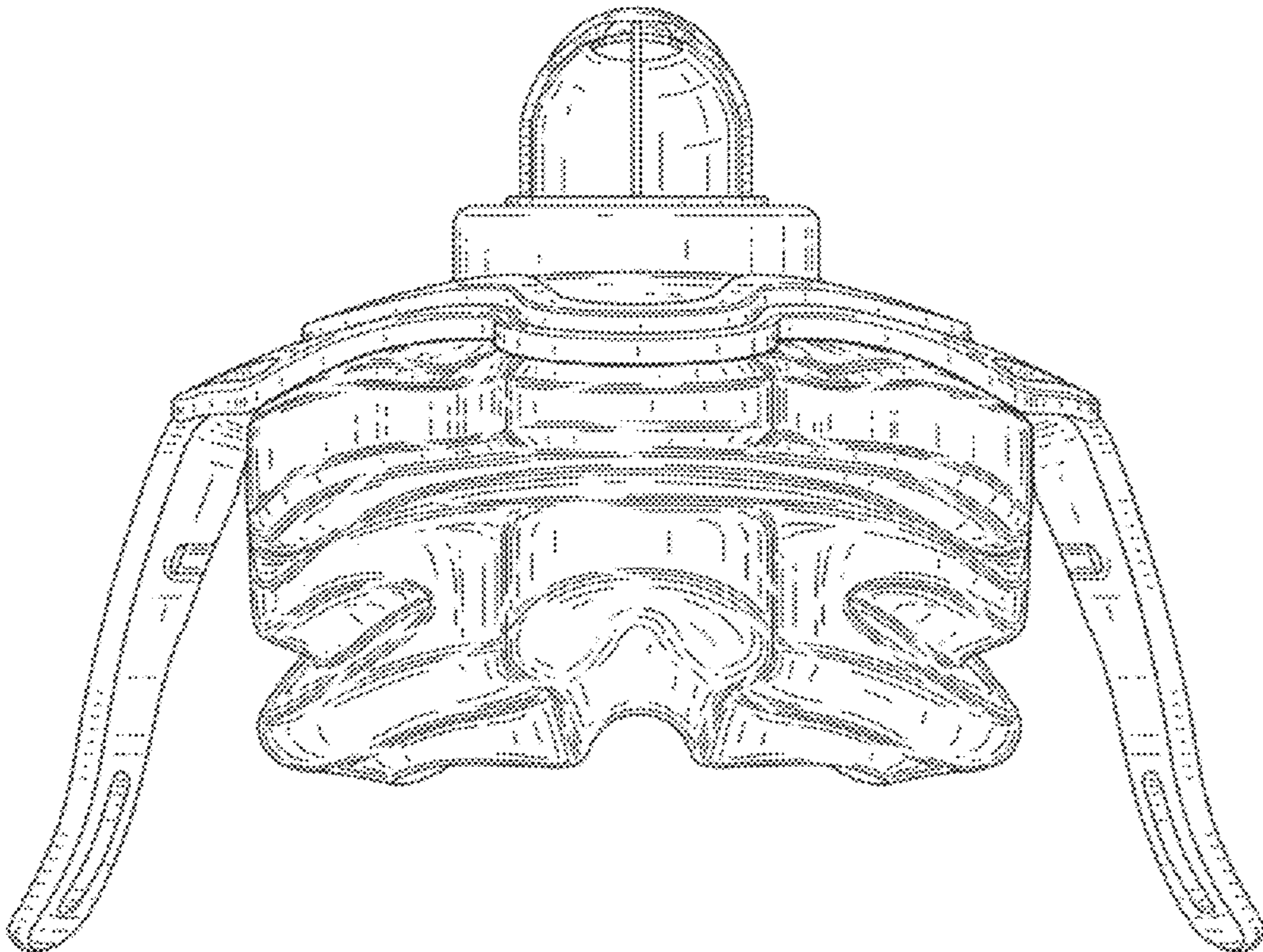


FIG. 5

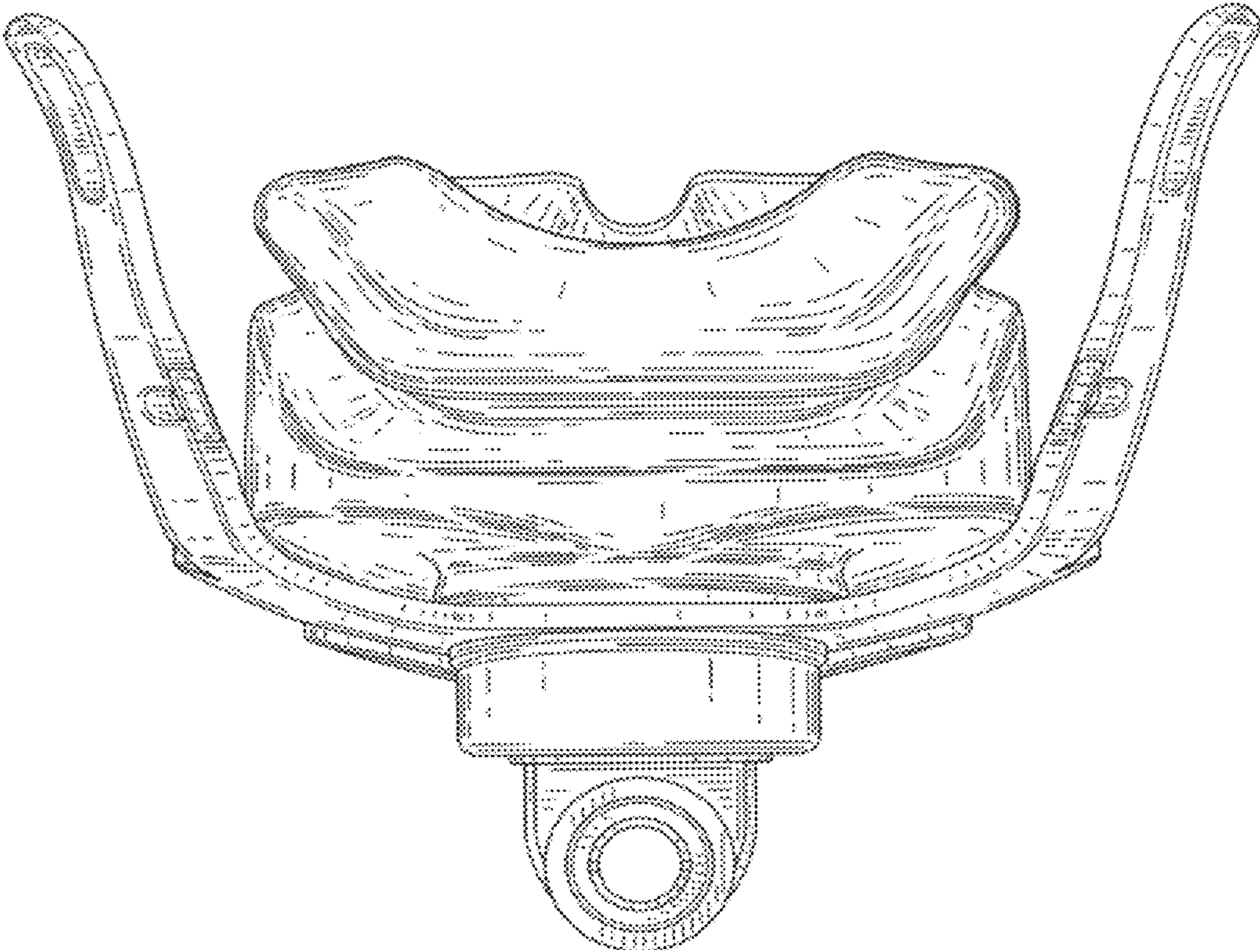


FIG. 6