



US00D659819S

(12) **United States Design Patent**
Edwards et al.

(10) **Patent No.:** **US D659,819 S**

(45) **Date of Patent:** **** May 15, 2012**

(54) **FOOD INHALER**

(75) Inventors: **David A. Edwards**, Boston, MA (US);
Jóse Sanchez, Paris (FR); **Jonathan Man**, Bellevue, WA (US); **Jonathan Jacques Kamler**, Jamaica, NY (US)

(73) Assignee: **Breathable Foods, Inc.**, Cambridge, MA (US)

(**) Term: **14 Years**

(21) Appl. No.: **29/352,274**

(22) Filed: **Dec. 18, 2009**

(51) **LOC (9) Cl.** **29-02**

(52) **U.S. Cl.** **D24/110**

(58) **Field of Classification Search** D24/110,
D24/110.5; 128/200.24, 203.12, 203.15,
128/203.21

See application file for complete search history.

(56) **References Cited**

U.S. PATENT DOCUMENTS

D348,100 S *	6/1994	Clarke	D24/110
D359,555 S *	6/1995	Funai et al.	D24/110
D447,230 S *	8/2001	Matsugi et al.	D24/110
D509,296 S *	9/2005	Minshull et al.	D24/110

D516,211 S *	2/2006	Minshull et al.	D24/110
D544,957 S *	6/2007	Bloc	D24/110
D574,951 S *	8/2008	Reusch	D24/110
D631,538 S	1/2011	Edwards et al.		
D631,956 S *	2/2011	Lulla et al.	D24/110
D636,866 S *	4/2011	Kopp et al.	D24/110
D641,076 S *	7/2011	Grunstad et al.	D24/110
2008/0041375 A1 *	2/2008	Stratton	128/203.24
2011/0011394 A1	1/2011	Edwards et al.		

* cited by examiner

Primary Examiner — Rashida Johnson

(74) *Attorney, Agent, or Firm* — Fish & Richardson P.C.

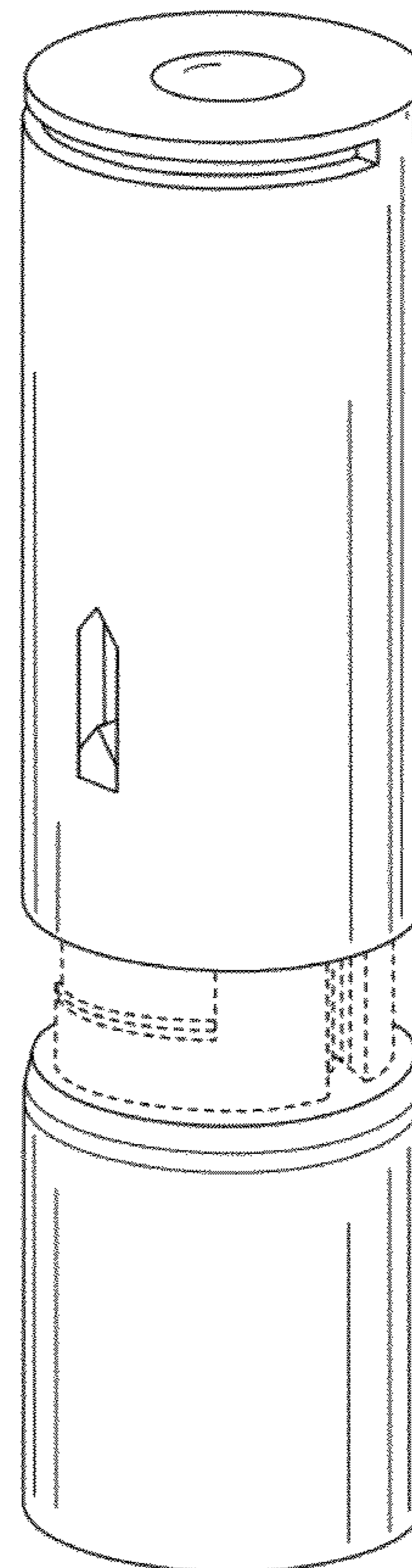
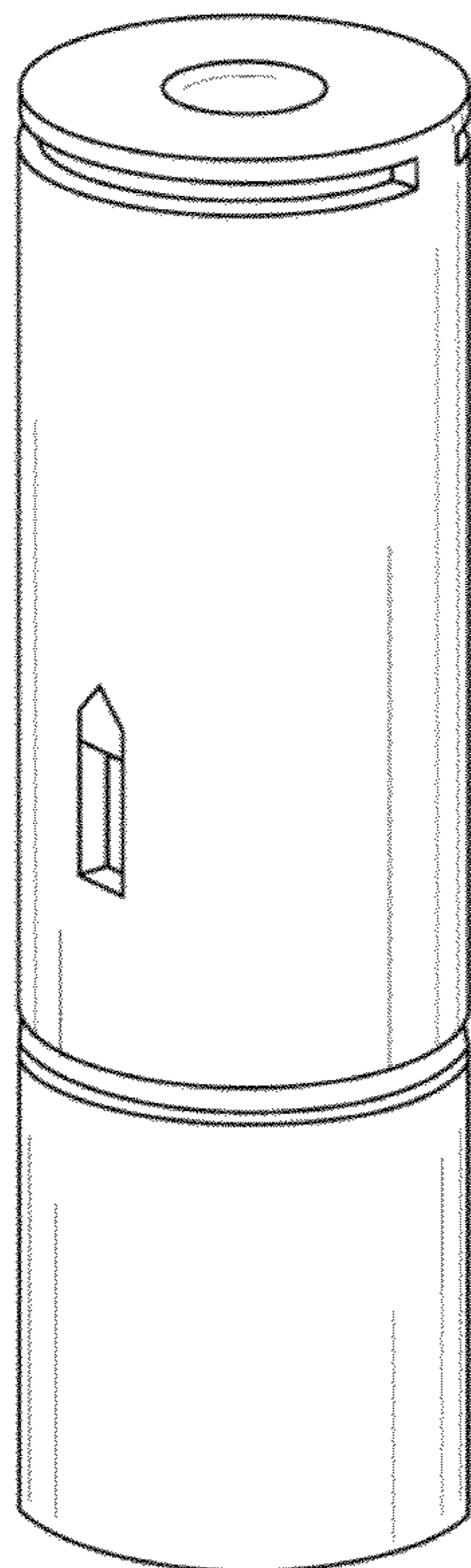
(57) **CLAIM**

The ornamental design for a food inhaler, substantially as shown and described.

DESCRIPTION

FIG. 1 shows a perspective view of the design.
FIG. 2 shows a front view of the design.
FIG. 3 shows a rear view of the design.
FIG. 4 shows a top view of the design.
FIG. 5 shows a bottom view of the design.
FIG. 6 shows a right side view of the design.
FIG. 7 shows a left side view of the design; and,
FIG. 8 shows a perspective view of the design in an expanded configuration.

1 Claim, 4 Drawing Sheets



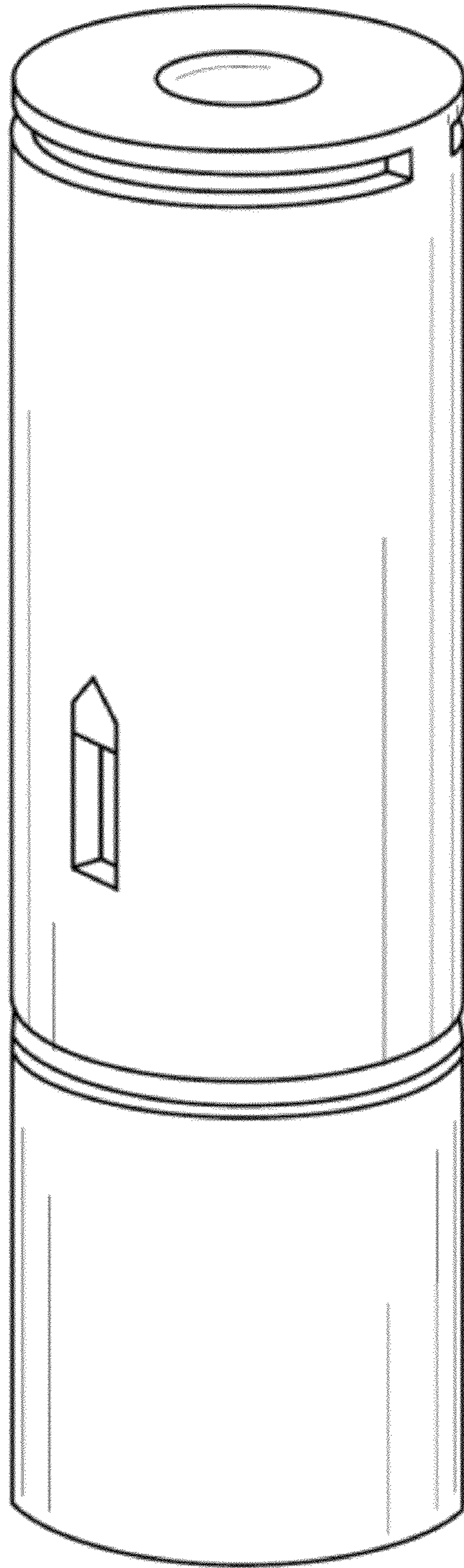


FIG. 1

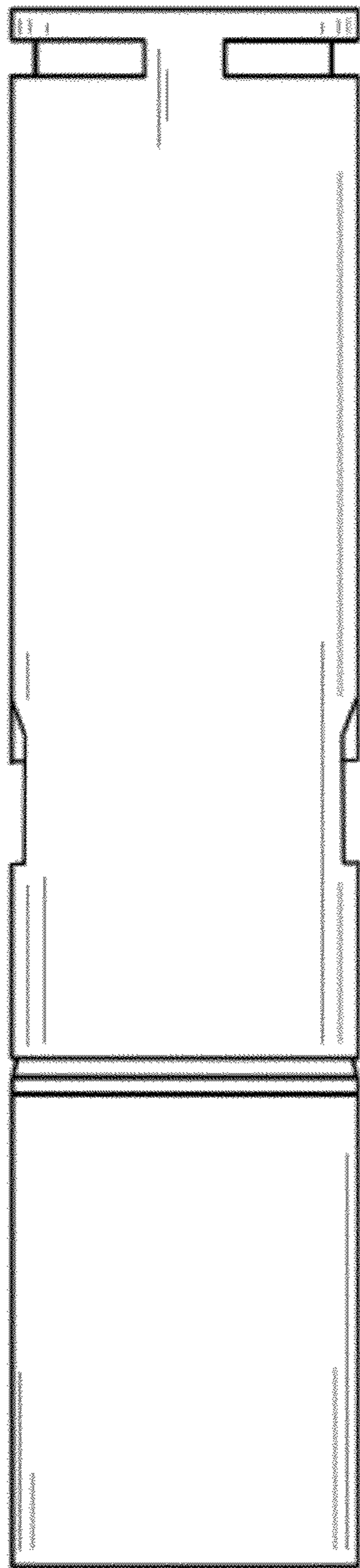


FIG. 2

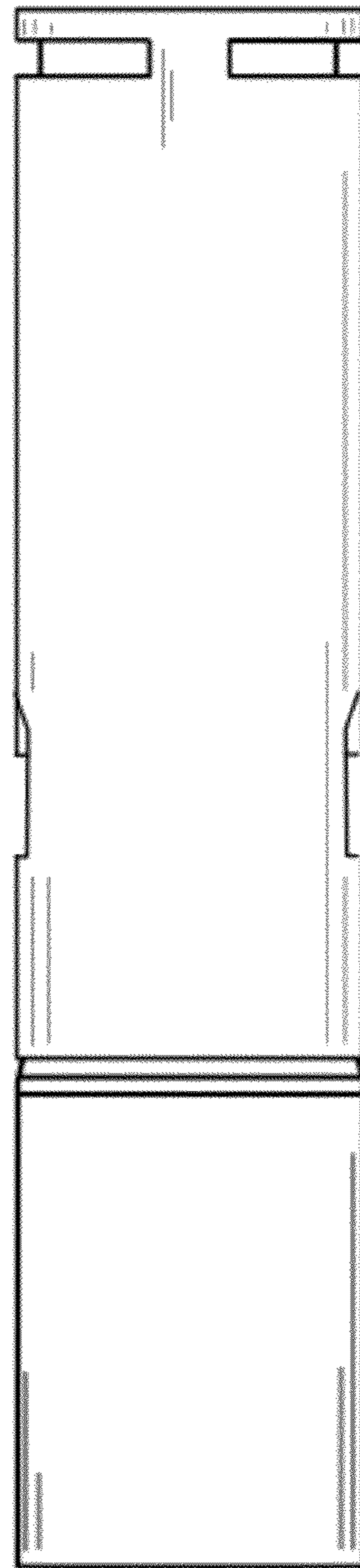


FIG. 3

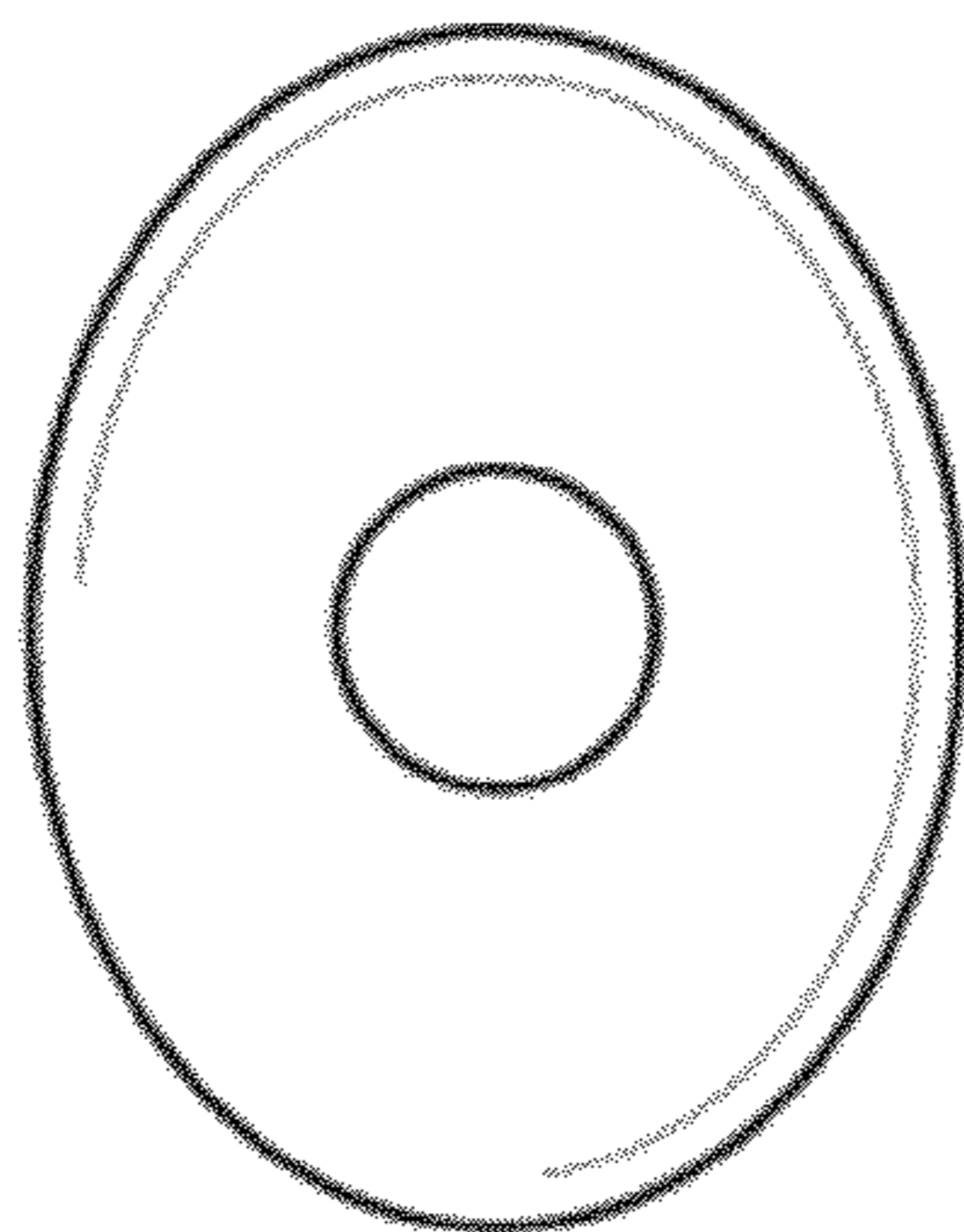


FIG. 4

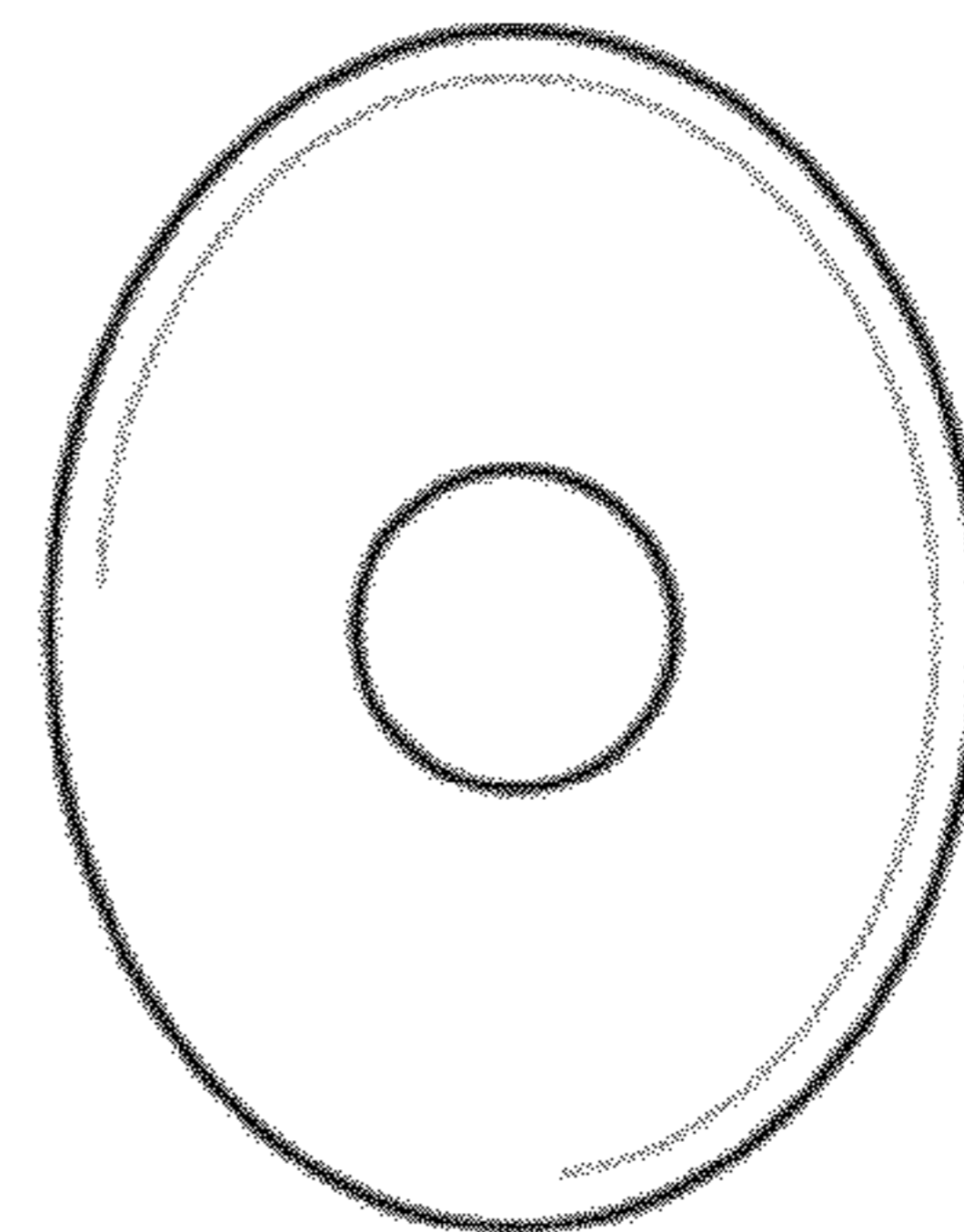


FIG. 5

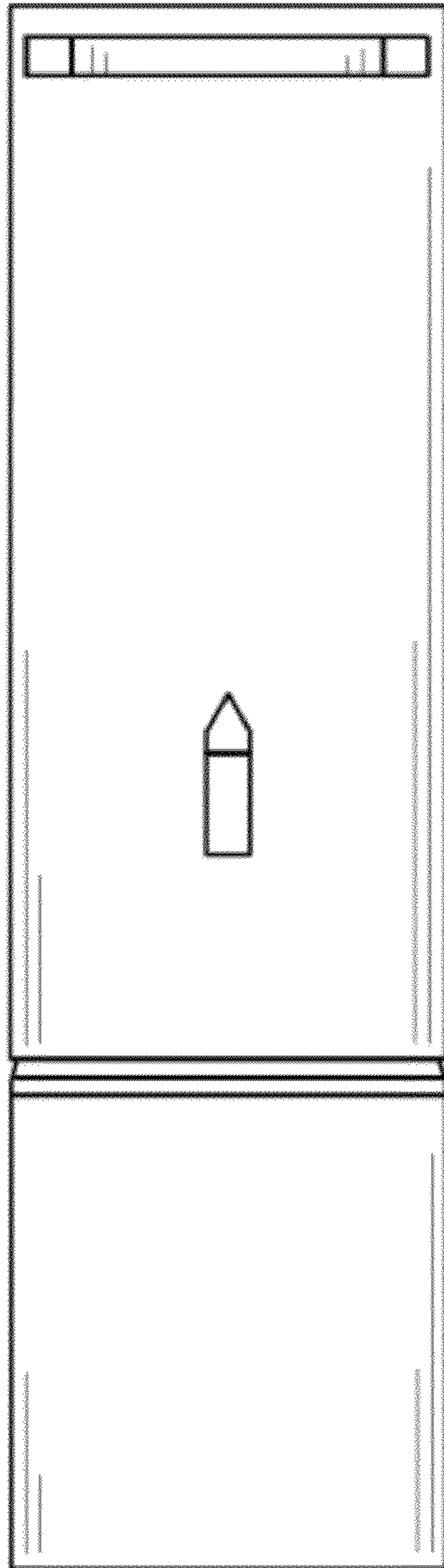


FIG. 6

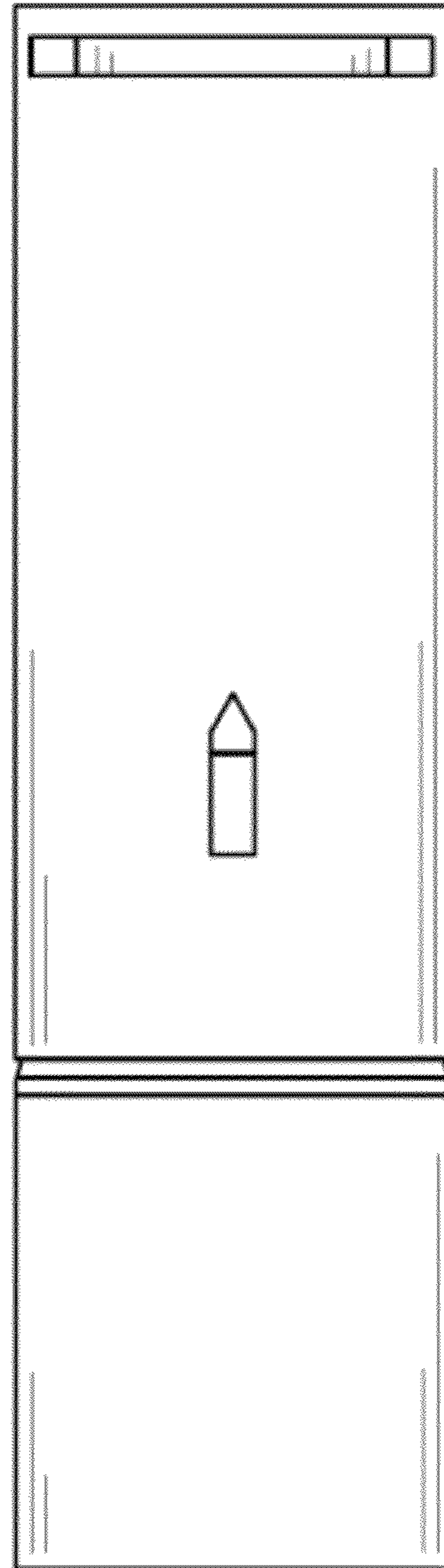


FIG. 7

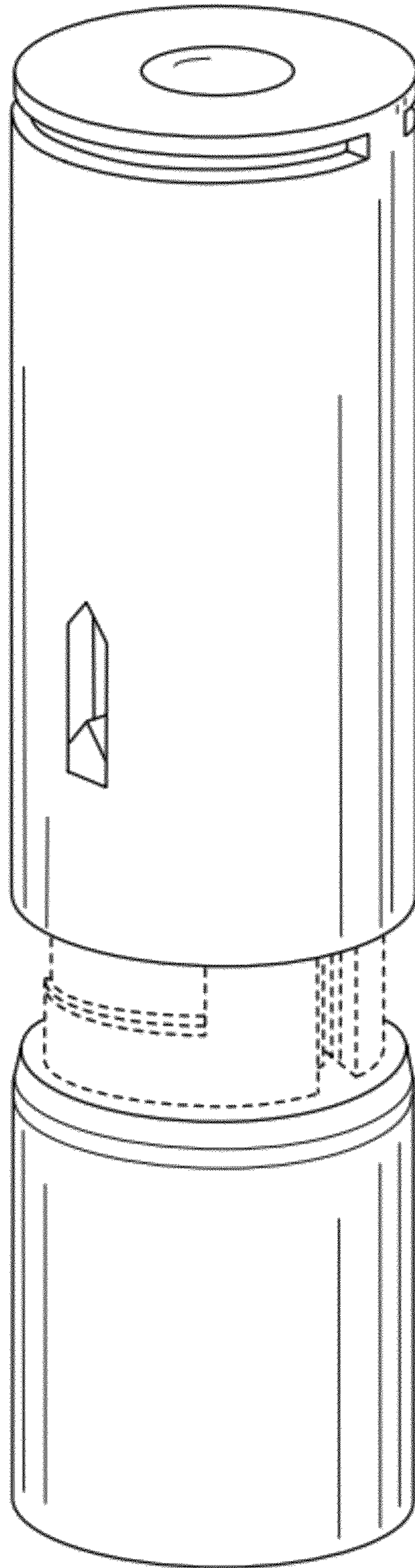


FIG. 8