



US00D659817S

(12) **United States Design Patent**
Mandell et al.

(10) **Patent No.:** **US D659,817 S**

(45) **Date of Patent:** **** May 15, 2012**

(54) **DIFFUSER**

(75) Inventors: **Jonathan N. Mandell**, Gurnee, IL (US);
George Kyaw Soe Maung Aye,
Chicago, IL (US); **Dan Kraemer**,
Chicago, IL (US)

(73) Assignee: **S.C. Johnson & Son, Inc.**, Racine, WI
(US)

(**) Term: **14 Years**

(21) Appl. No.: **29/369,525**

(22) Filed: **Sep. 9, 2010**

(51) **LOC (9) Cl.** **28-99**

(52) **U.S. Cl.** **D23/366**

(58) **Field of Classification Search** D23/355-369;
D28/5, 6; 261/DIG. 17, DIG. 42, DIG. 47,
261/DIG. 55, DIG. 65, DIG. 70, DIG. 88,
261/DIG. 89; 392/386, 390, 392, 394, 395;
239/34, 44, 53, 56, 60, 308, 326; 242/590,
242/594.5, 599

See application file for complete search history.

(56) **References Cited**

U.S. PATENT DOCUMENTS

D332,836 S	1/1993	Ham	
D334,642 S	4/1993	Allen	
D374,294 S	10/1996	Yuen	
D407,477 S	3/1999	Chen	
D431,660 S	10/2000	Yuen	
D432,222 S *	10/2000	Rymer et al.	D23/366
D433,744 S *	11/2000	Basaganas	D23/366
D437,636 S	2/2001	Basaganas	
D453,560 S *	2/2002	Van Brunt	D23/355

(Continued)

OTHER PUBLICATIONS

Attached photographs depict a device found in a Spanish grocery store (Mercadona) in 2010, 3 pages.

Primary Examiner — Sandra Snapp

(57)

CLAIM

The ornamental design for a diffuser, as shown and described herein.

DESCRIPTION

FIG. 1 is a top perspective view of a first embodiment of a diffuser of the present invention;

FIG. 2 is a front elevational view of the diffuser of FIG. 1;

FIG. 3 is a rear elevational view of the diffuser of FIG. 1;

FIG. 4 is an elevational view of a first side of the diffuser of FIG. 1;

FIG. 5 is an elevational view of a second side of the diffuser of FIG. 1, the second side being opposite the first side;

FIG. 6 is a top plan view of the diffuser of FIG. 1;

FIG. 7 is a bottom plan view of the diffuser of FIG. 1;

FIG. 8 is a top perspective view of a second embodiment of a diffuser of the present invention;

FIG. 9 is a front elevational view of the diffuser of FIG. 8;

FIG. 10 is a rear elevational view of the diffuser of FIG. 8;

FIG. 11 is an elevational view of a first side of the diffuser of FIG. 8;

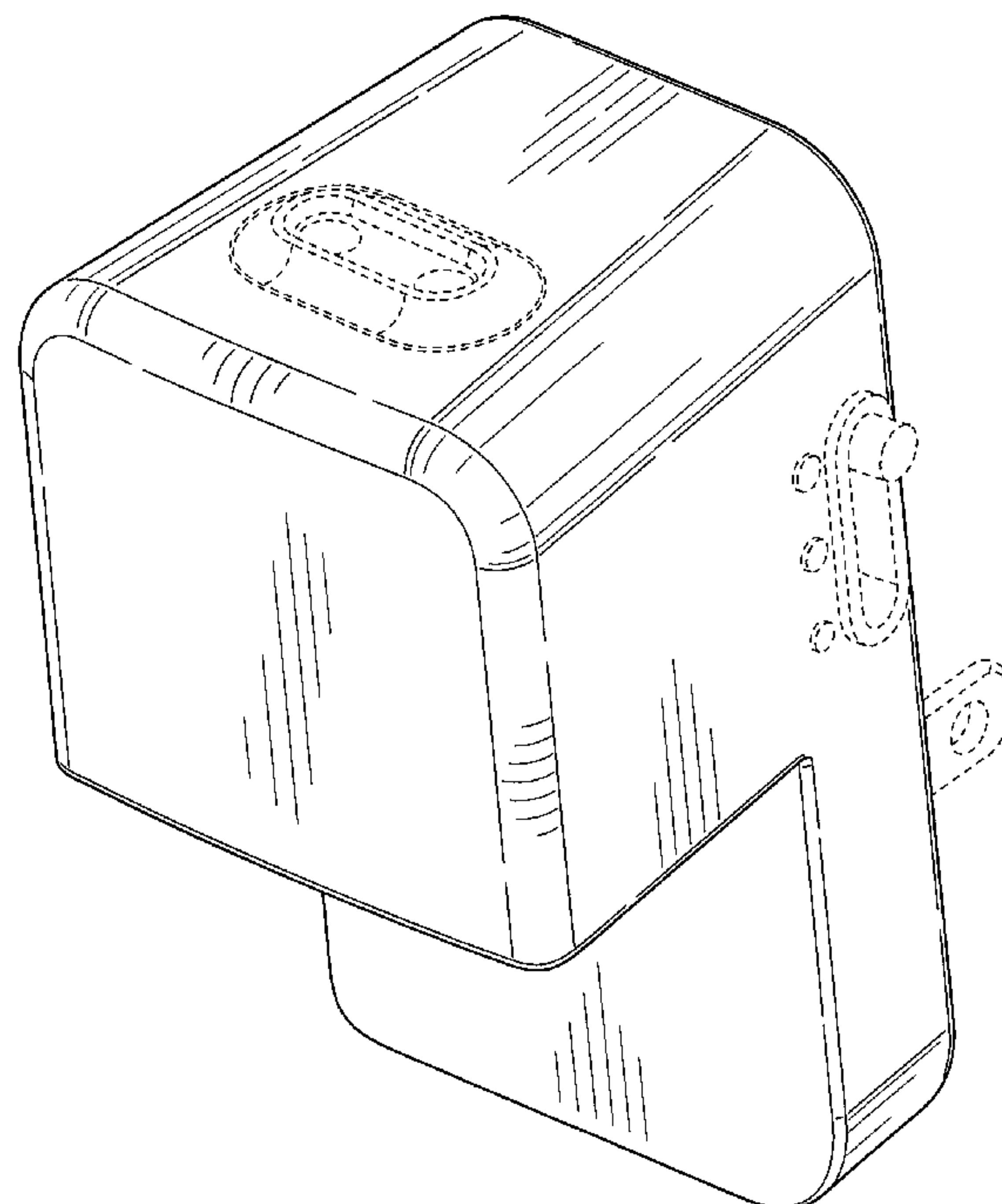
FIG. 12 is an elevational view of a second side of the diffuser of FIG. 8, wherein the second side is opposite the first side;

FIG. 13 is a top plan view of the diffuser of FIG. 8; and,

FIG. 14 is a bottom plan view of the diffuser of FIG. 8.

The subject matter shown in the figures in dashed lines are for illustrative purposes only and forms no part of the claimed invention.

1 Claim, 14 Drawing Sheets



US D659,817 S

Page 2

U.S. PATENT DOCUMENTS

D461,549 S *	8/2002	Garcia	D23/360	D574,941 S *	8/2008	Weggelaar	D23/366
D501,676 S	2/2005	Millan		D582,025 S	12/2008	Zobeles et al.	
D510,423 S	10/2005	Caserta et al.		D582,531 S	12/2008	Israel et al.	
D518,160 S	3/2006	Normark		D584,808 S	1/2009	Moreno Perez et al.	
D529,162 S *	9/2006	Bulsink	D23/366	D586,900 S *	2/2009	Weggelaar	D23/366
D534,265 S *	12/2006	Weggelaar	D23/366	D596,729 S	7/2009	Langley et al.	
D534,642 S	1/2007	Caserta et al.		D596,730 S *	7/2009	Langley et al.	D23/366
D535,735 S *	1/2007	Ruiz Ballesteros et al. .	D23/366	D604,402 S	11/2009	Tomas Vilarasa et al.	
D542,902 S	5/2007	Caserta et al.		D604,823 S	11/2009	Schwartz et al.	
D542,903 S	5/2007	Caserta et al.		D604,824 S	11/2009	Paolazzi et al.	
D548,318 S *	8/2007	Copeman	D23/366	D605,272 S	12/2009	Chun et al.	
D555,480 S	11/2007	Nicosia et al.		D608,435 S *	1/2010	Zobeles et al.	D23/366
D556,311 S *	11/2007	Copeman	D23/366	D625,797 S *	10/2010	Poves et al.	D23/366
D561,319 S *	2/2008	Weggelaar	D23/366	D626,205 S *	10/2010	Fabregas et al.	D23/366
D562,958 S	2/2008	Feriani et al.		D628,283 S *	11/2010	Valentino et al.	D23/366

* cited by examiner

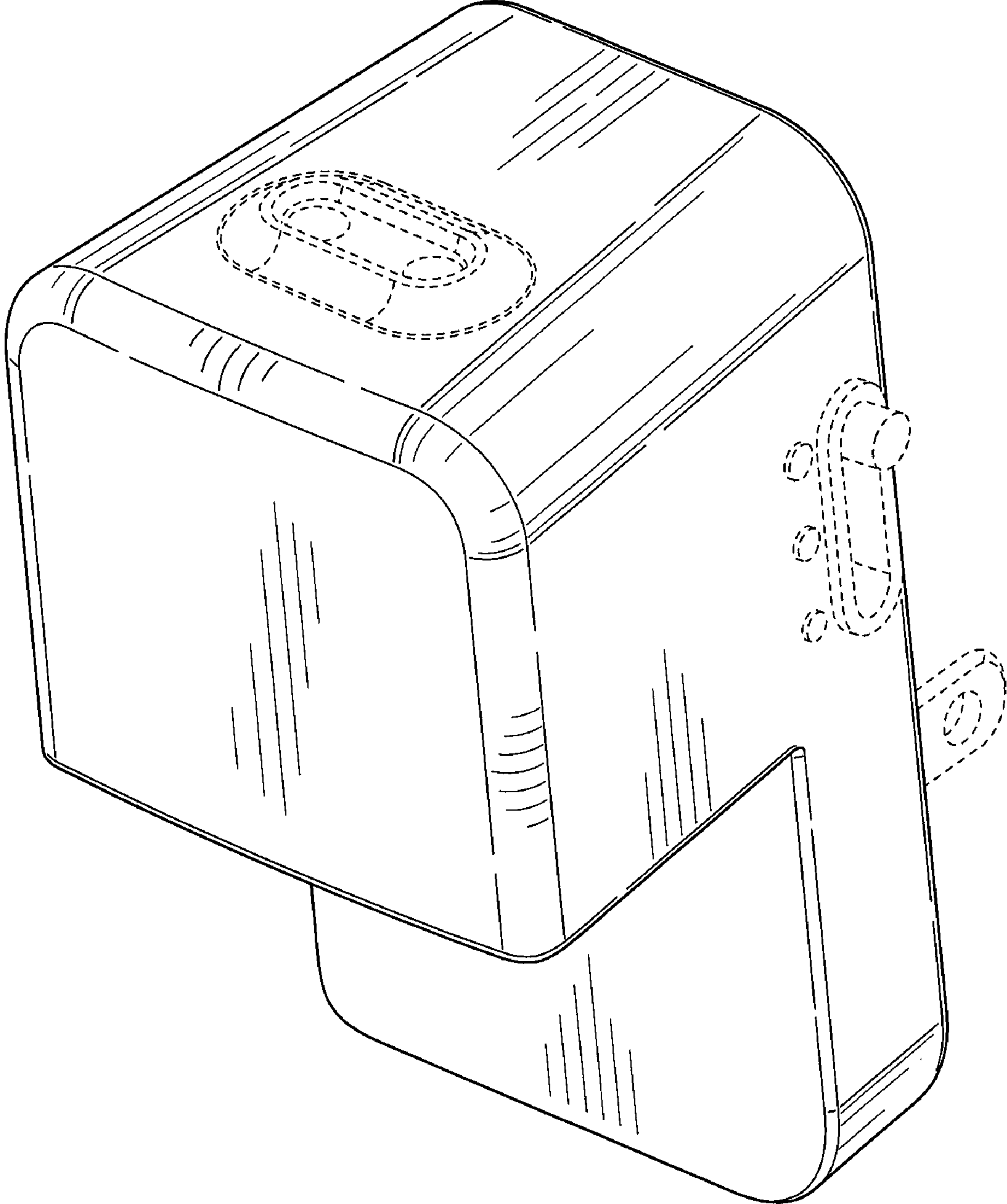


FIG. 1

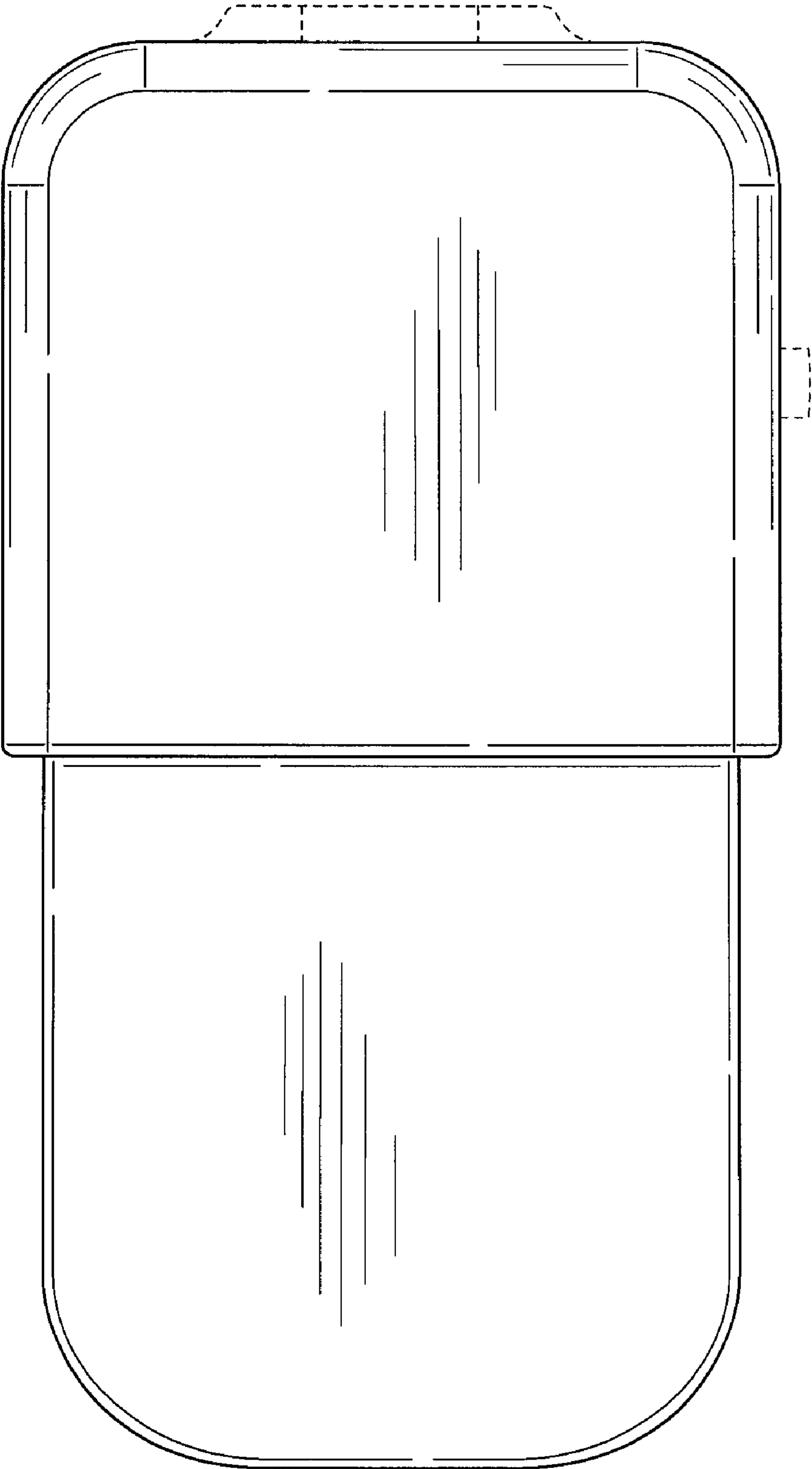


FIG. 2

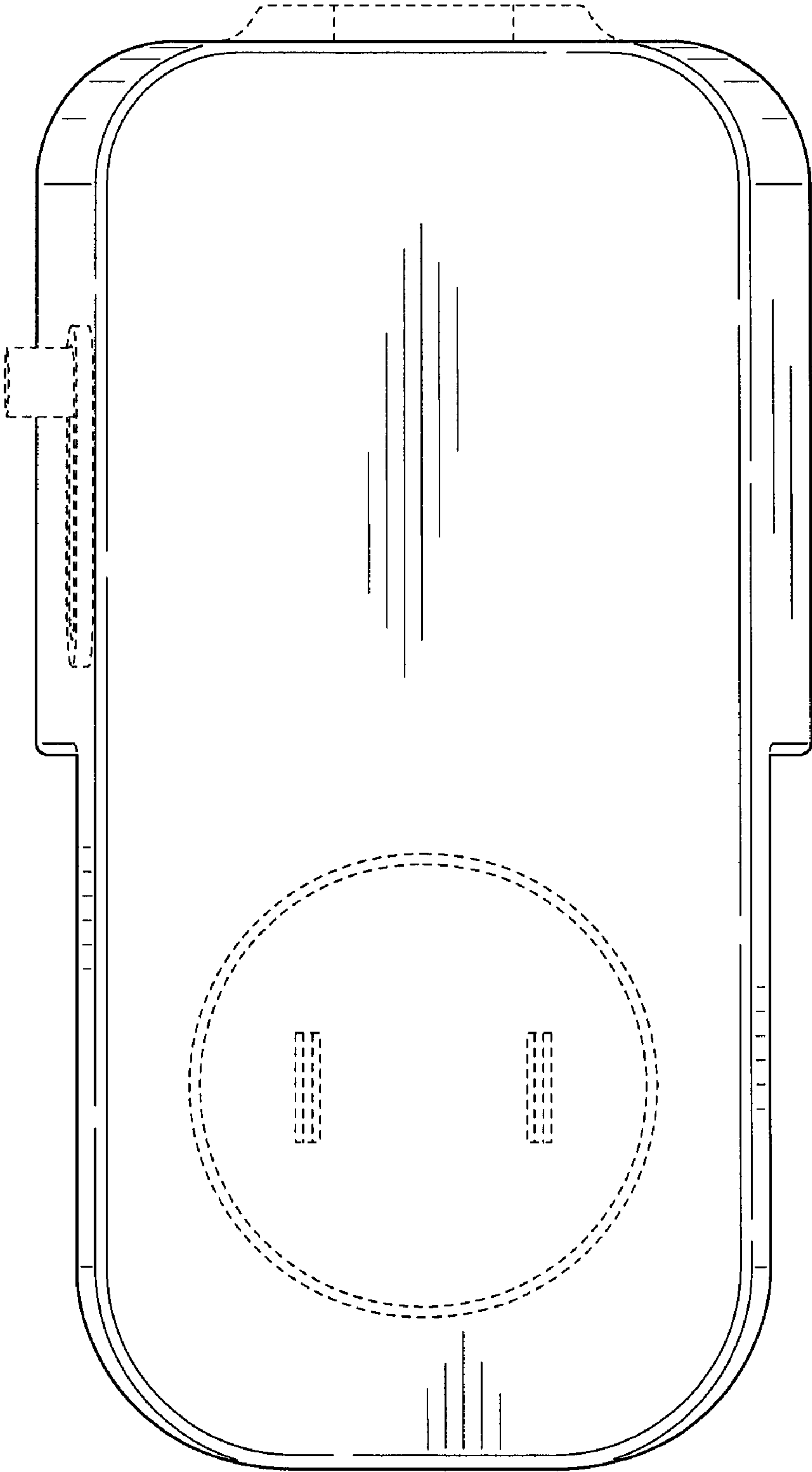


FIG. 3

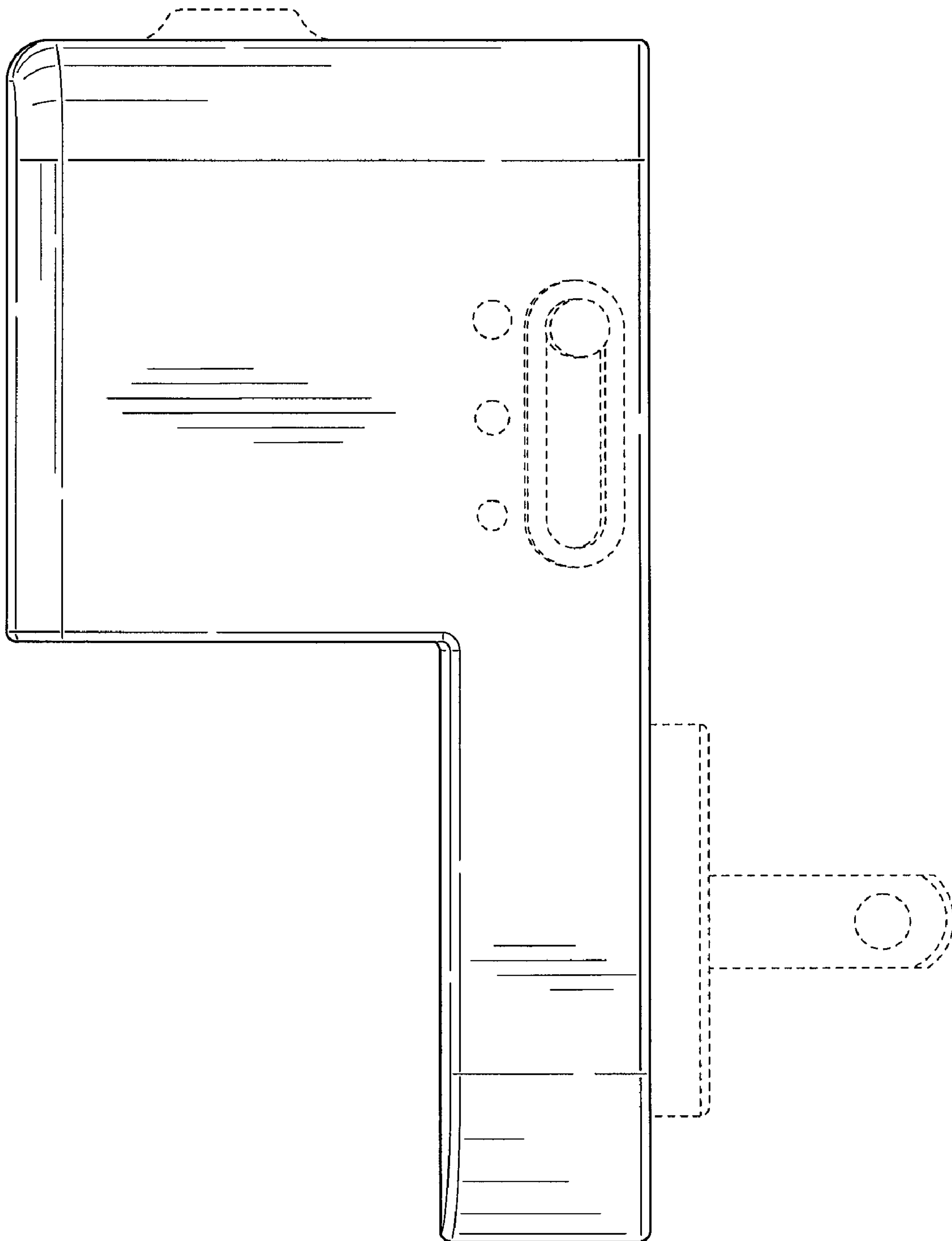


FIG. 4

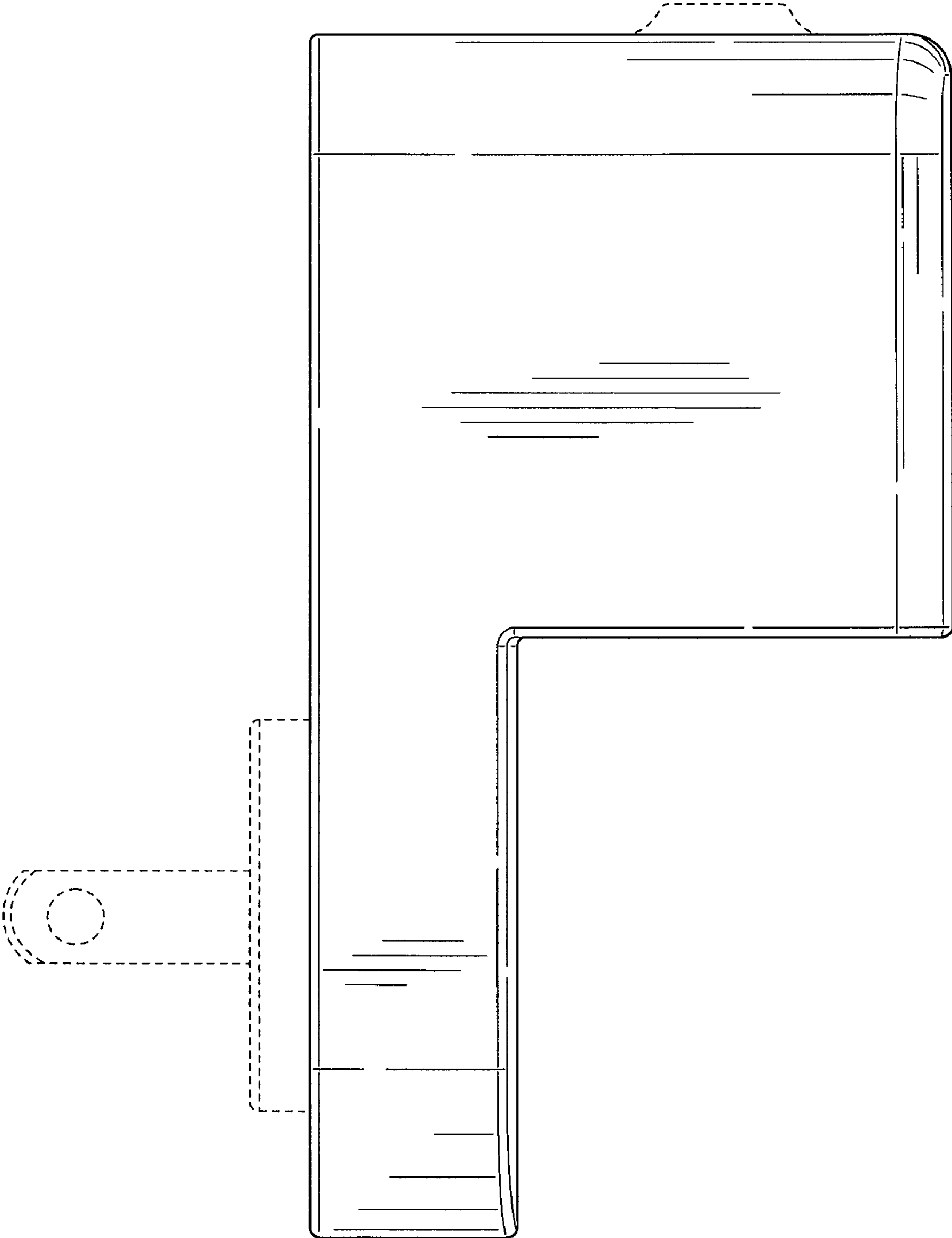


FIG. 5

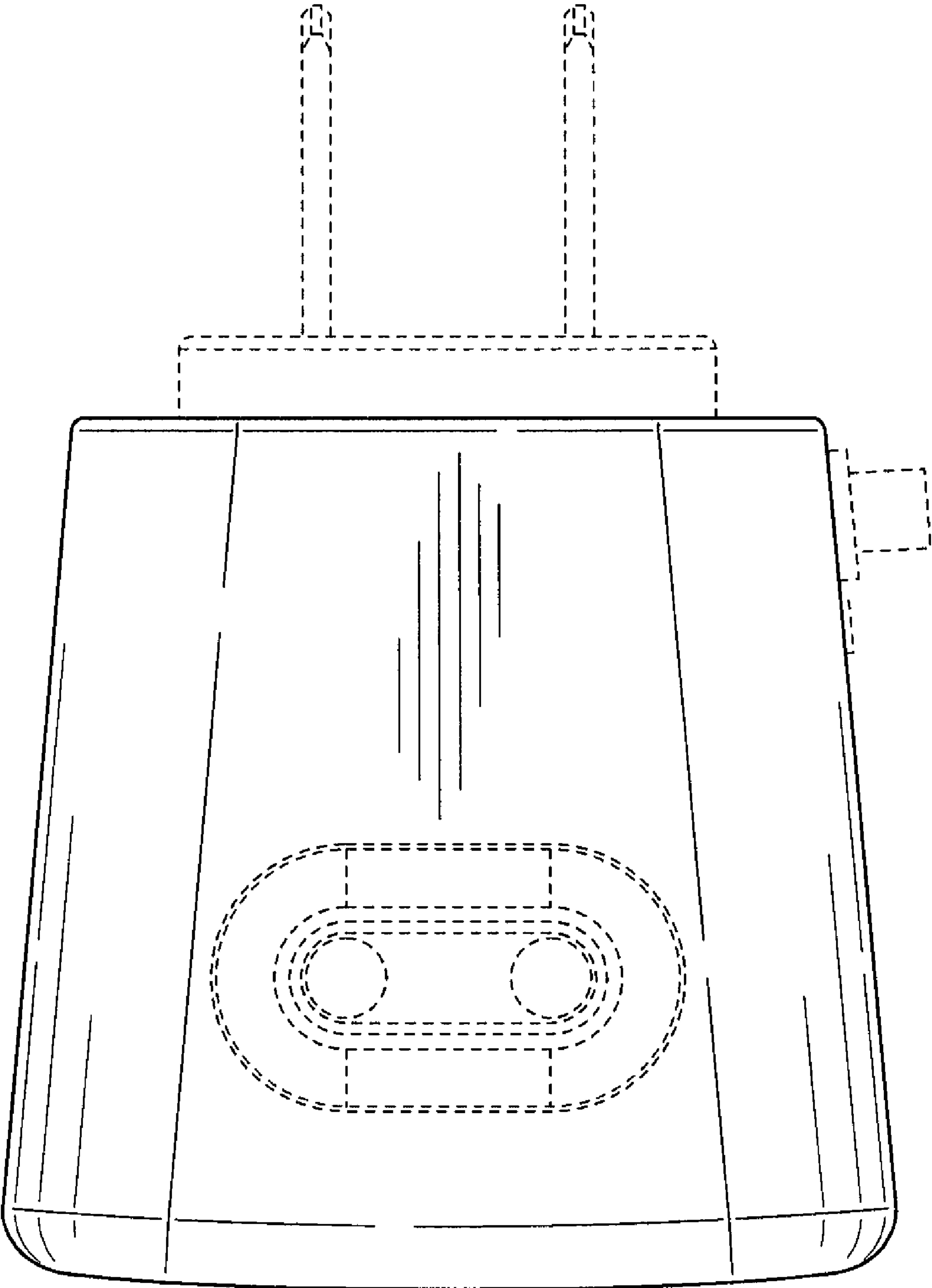


FIG. 6

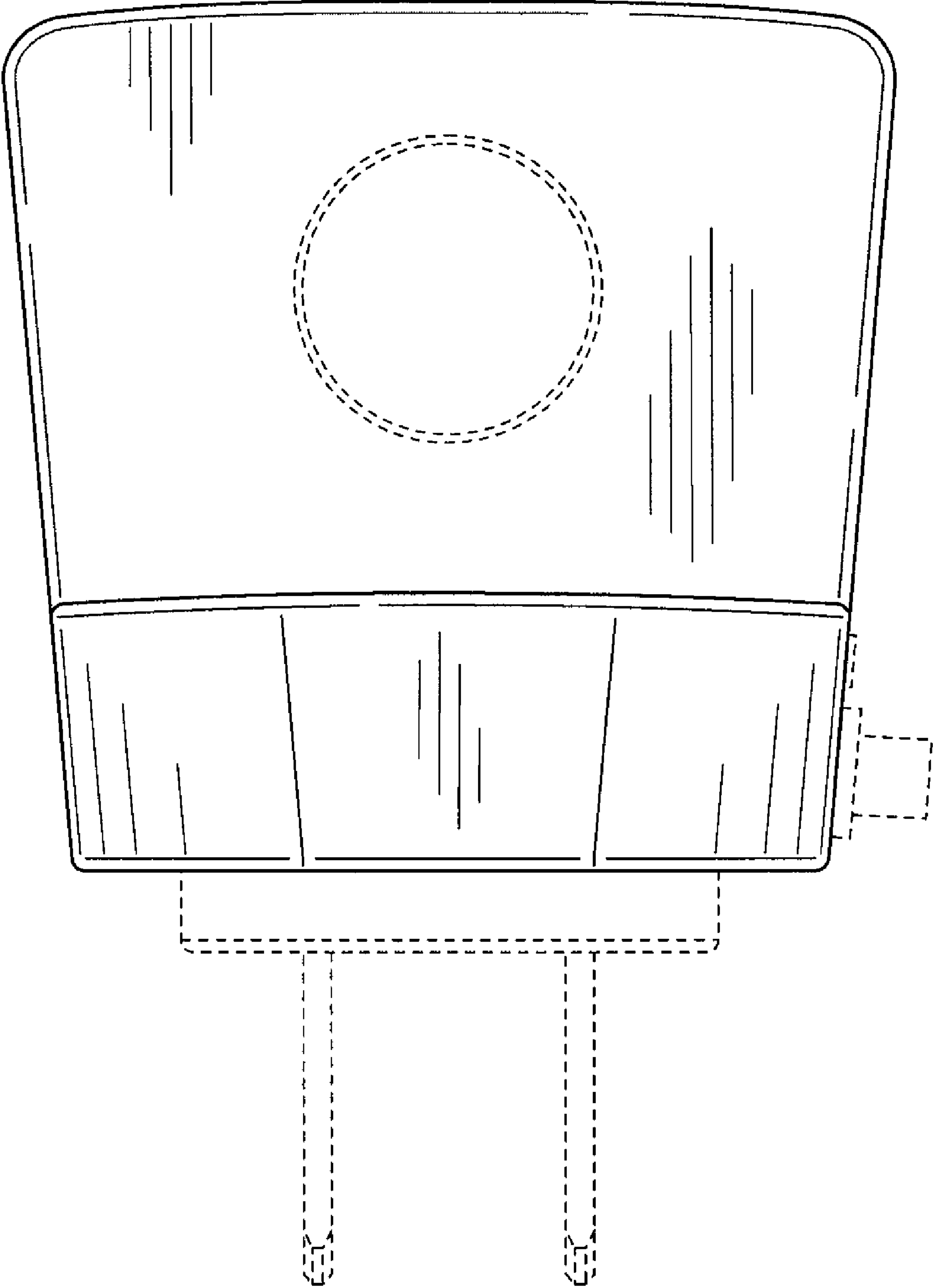


FIG. 7

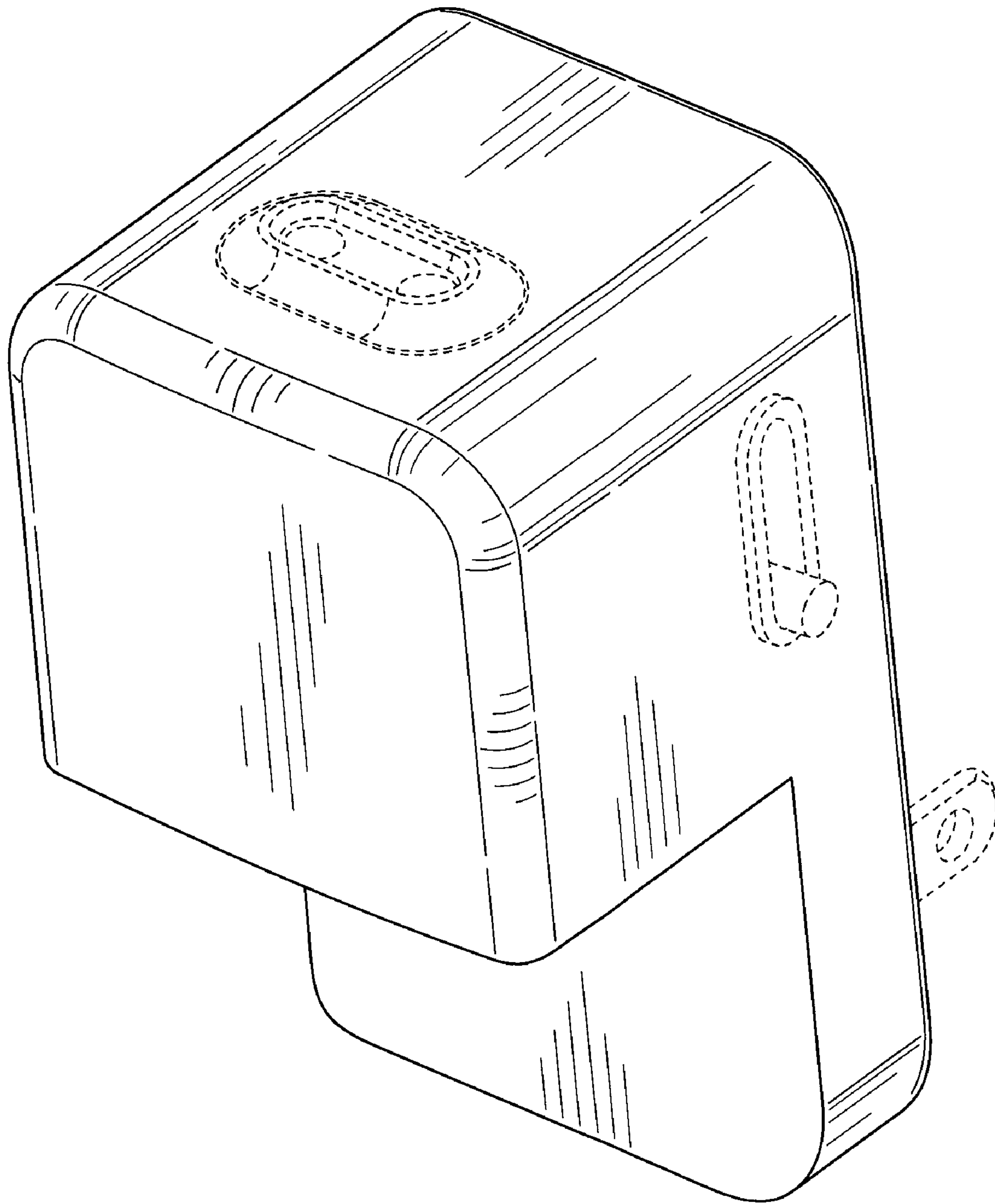


FIG. 8

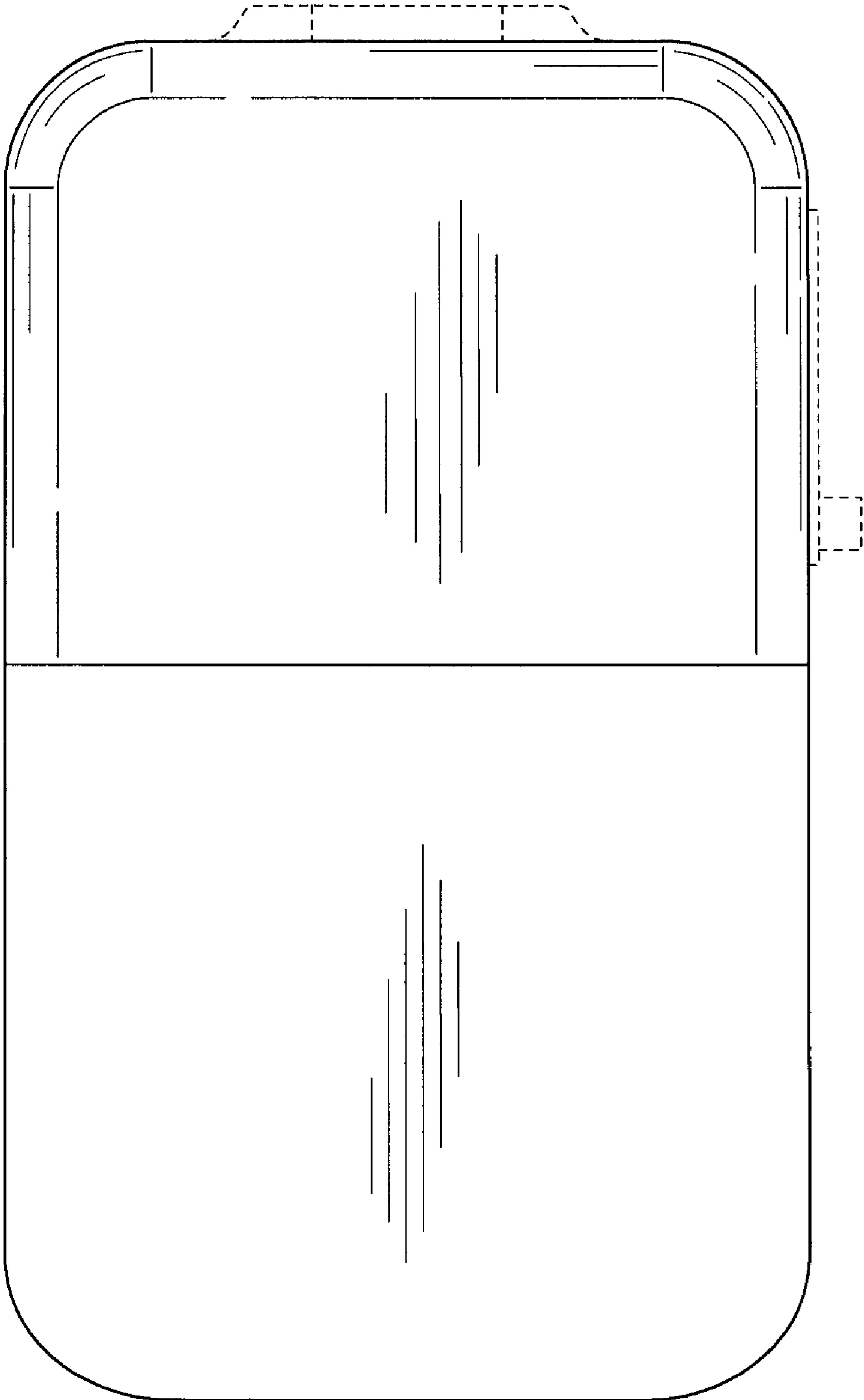


FIG. 9

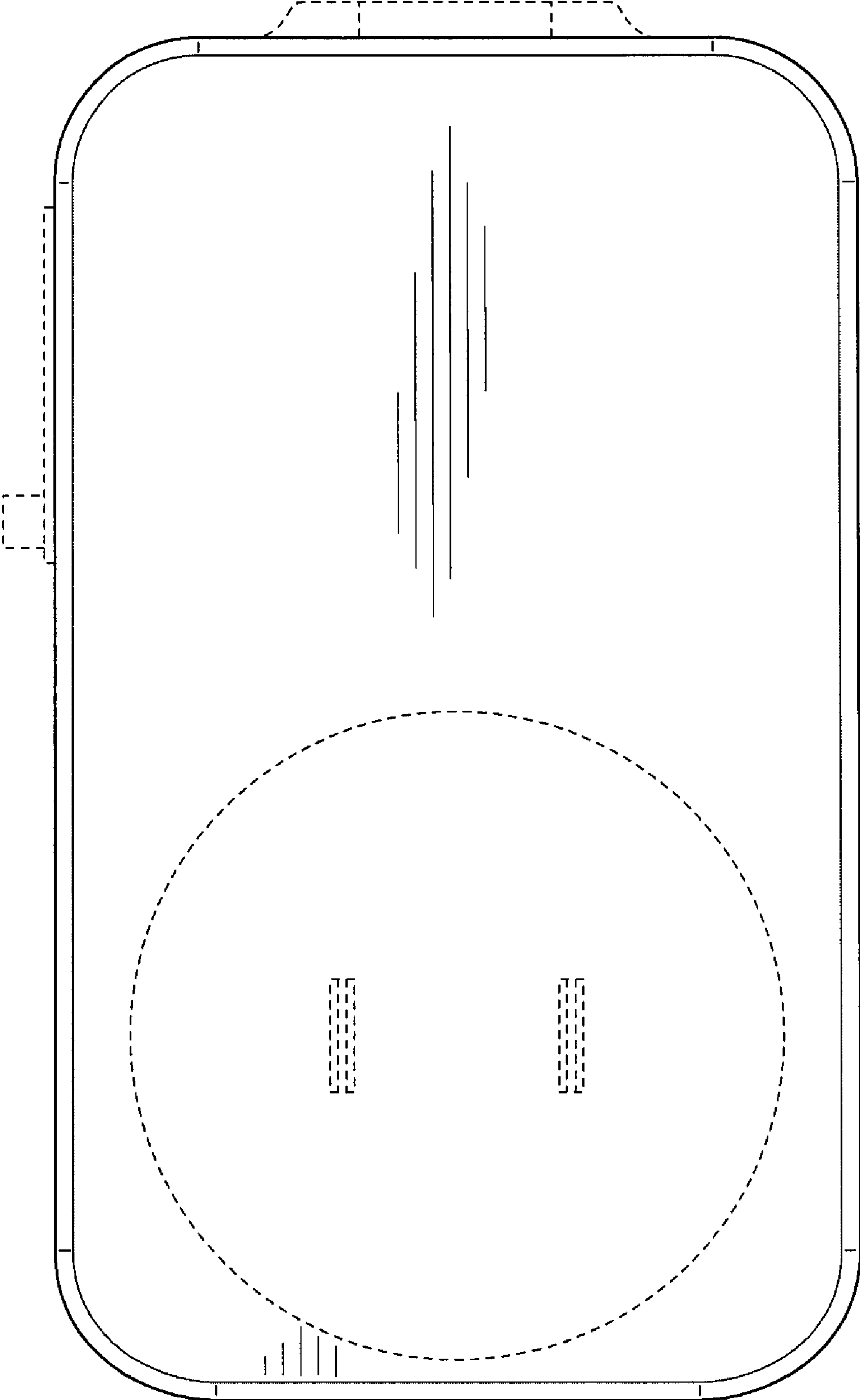


FIG. 10

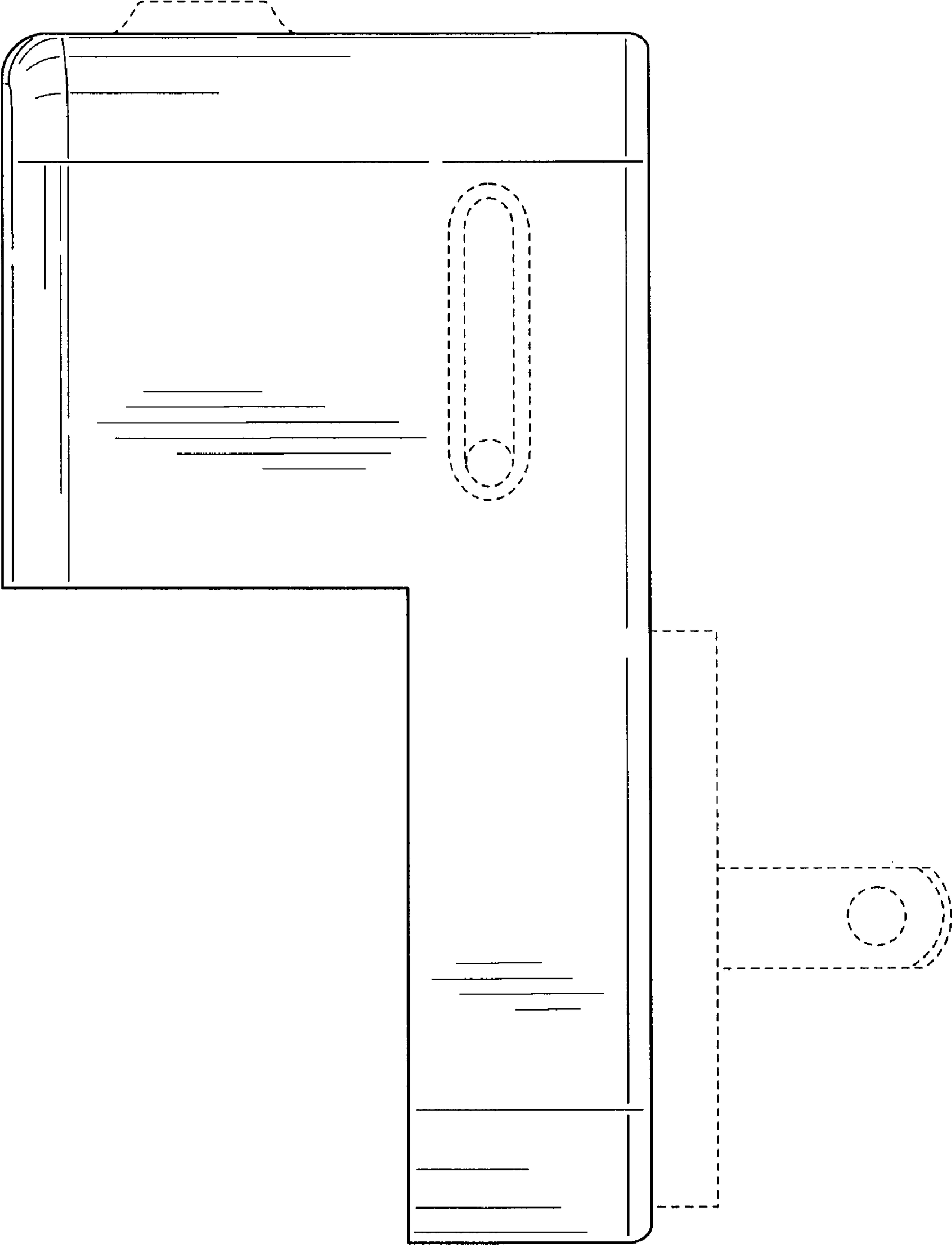


FIG. 11

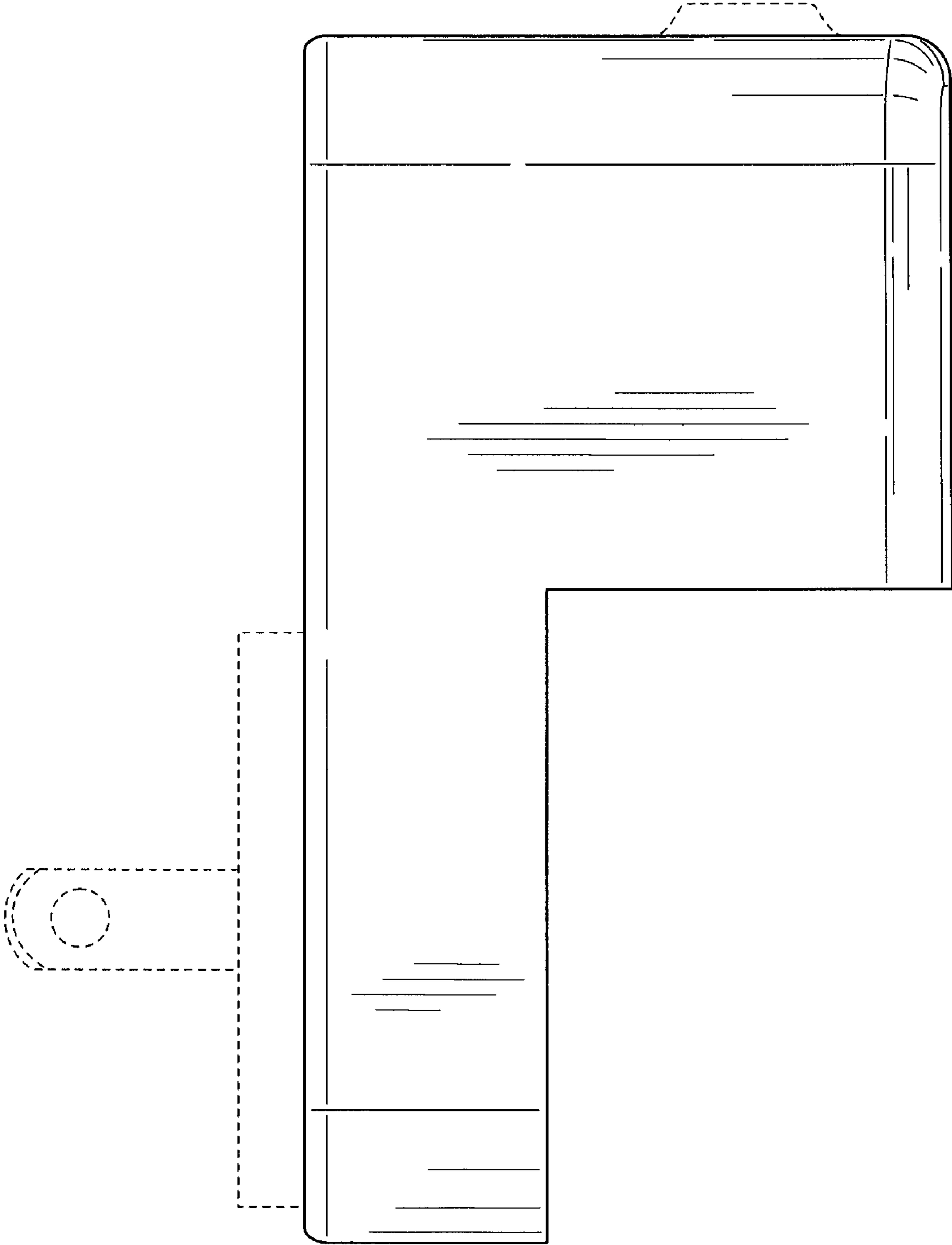


FIG. 12

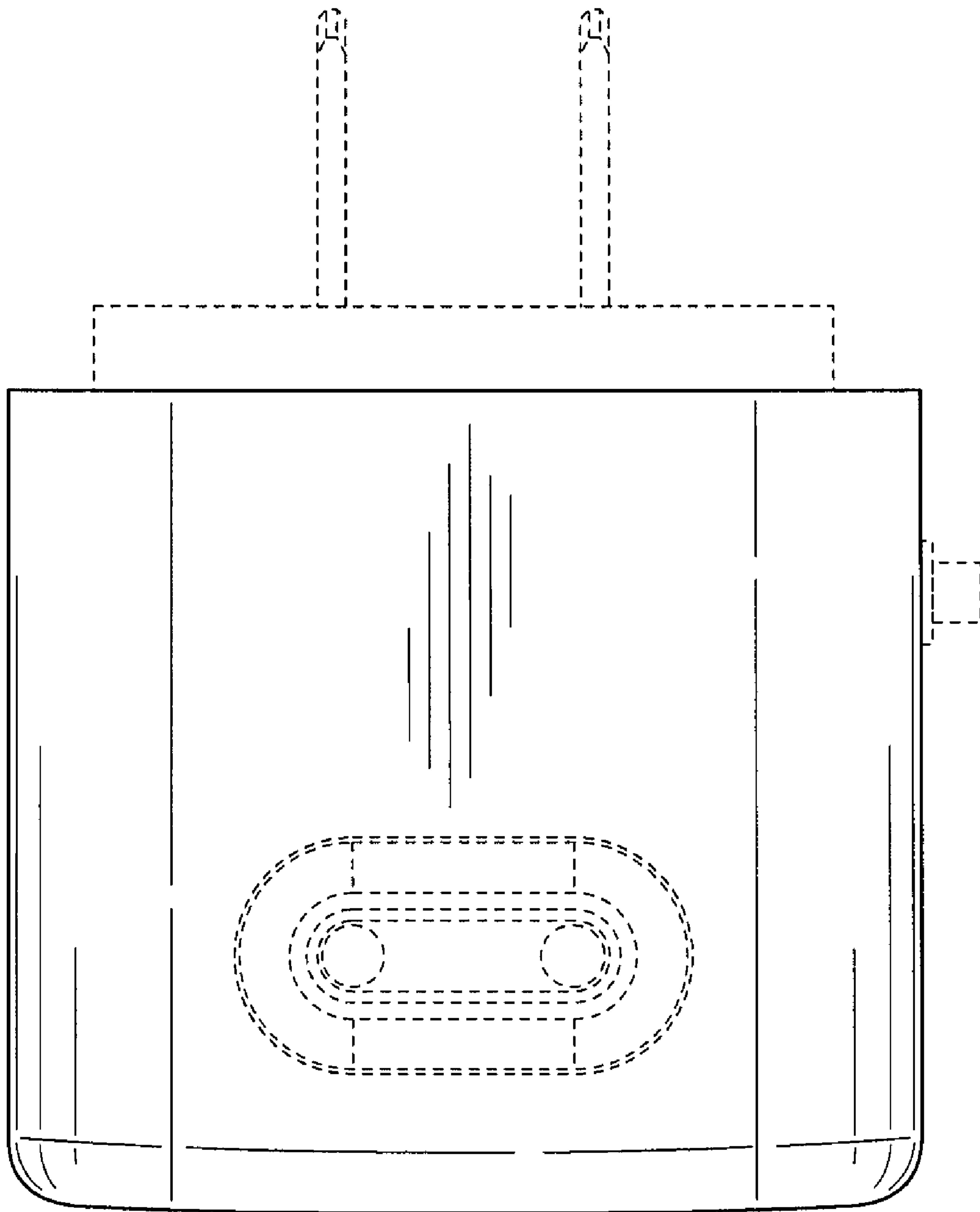


FIG. 13

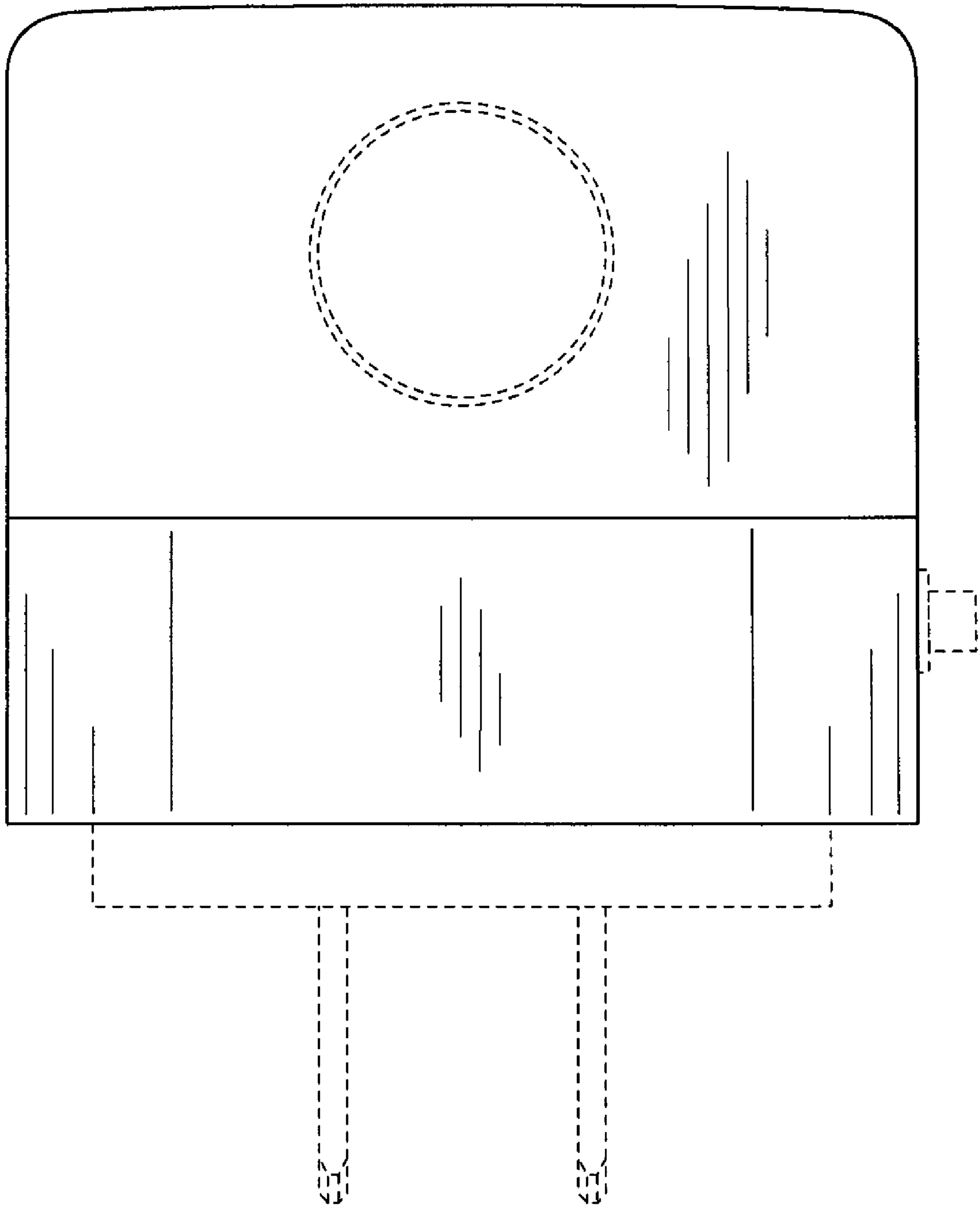


FIG. 14