



US00D659816S

(12) **United States Design Patent**
Ito et al.

(10) **Patent No.:** **US D659,816 S**
(45) **Date of Patent:** **** May 15, 2012**

(54) **FILTER REGULATOR**

(75) Inventors: **Shinichi Ito**, Tsukubamirai (JP);
Michihiro Hanada, Tsukubamirai (JP)

(73) Assignee: **SMC Corporation**, Chiyoda-ku, Tokyo
(JP)

(**) Term: **14 Years**

(21) Appl. No.: **29/397,588**

(22) Filed: **Jul. 19, 2011**

(30) **Foreign Application Priority Data**

Apr. 6, 2011 (JP) 2011-007961

(51) **LOC (9) Cl.** **23-04**

(52) **U.S. Cl.** **D23/365**

(58) **Field of Classification Search** D23/365,
D23/209, 363, 358, 386, 354, 341, 364; 55/385.3,
55/502, 497, 506, 505, 521, 495, 422, 493,
55/DIG. 30; 210/435, 130, 136, 248, 339,
210/448, 452, 497.1

See application file for complete search history.

(56) **References Cited**

U.S. PATENT DOCUMENTS

2,894,600	A *	7/1959	Veres	D23/209
D234,357	S *	2/1975	Humphery	D23/209
D234,843	S *	4/1975	Taylor	D23/209
D236,263	S *	8/1975	Dussardier	D23/209
D236,264	S *	8/1975	Taylor	D23/209
D236,265	S *	8/1975	Dussardler	D23/209
D295,674	S *	5/1988	Ogasawara et al.	D23/365
D301,917	S *	6/1989	Ogasawara et al.	D23/209

D317,346	S *	6/1991	Ito et al.	D23/209
D318,713	S *	7/1991	Miyake et al.	D23/209
5,049,170	A *	9/1991	Parnoff	55/502
D360,459	S *	7/1995	Tschaeppler	D23/364
7,964,008	B1 *	6/2011	Ugalde	55/385.3

* cited by examiner

Primary Examiner — David Muller

(74) *Attorney, Agent, or Firm* — Yokoi & Co., U.S.A., Inc.;
Toshiyuki Yokoi

(57) **CLAIM**

The ornamental design for a filter regulator, as shown and described.

DESCRIPTION

FIG. 1 shows a front view of a filter regulator showing my new design;
 FIG. 2 shows a rear view thereof;
 FIG. 3 shows a right side view thereof;
 FIG. 4 shows a left side view thereof;
 FIG. 5 shows a top view thereof;
 FIG. 6 shows a bottom view thereof;
 FIG. 7 shows a top, front and left side perspective view thereof;
 FIG. 8 shows a bottom, back and right side perspective view thereof; and,
 FIG. 9 shows a partial cross-sectional view thereof, taken along line 9-9 in FIG. 3.
 The broken lines in FIGS. 1-4 and 6 are included for the purpose of illustrating portions of the filter regulator that form no part of the claimed design.

1 Claim, 8 Drawing Sheets

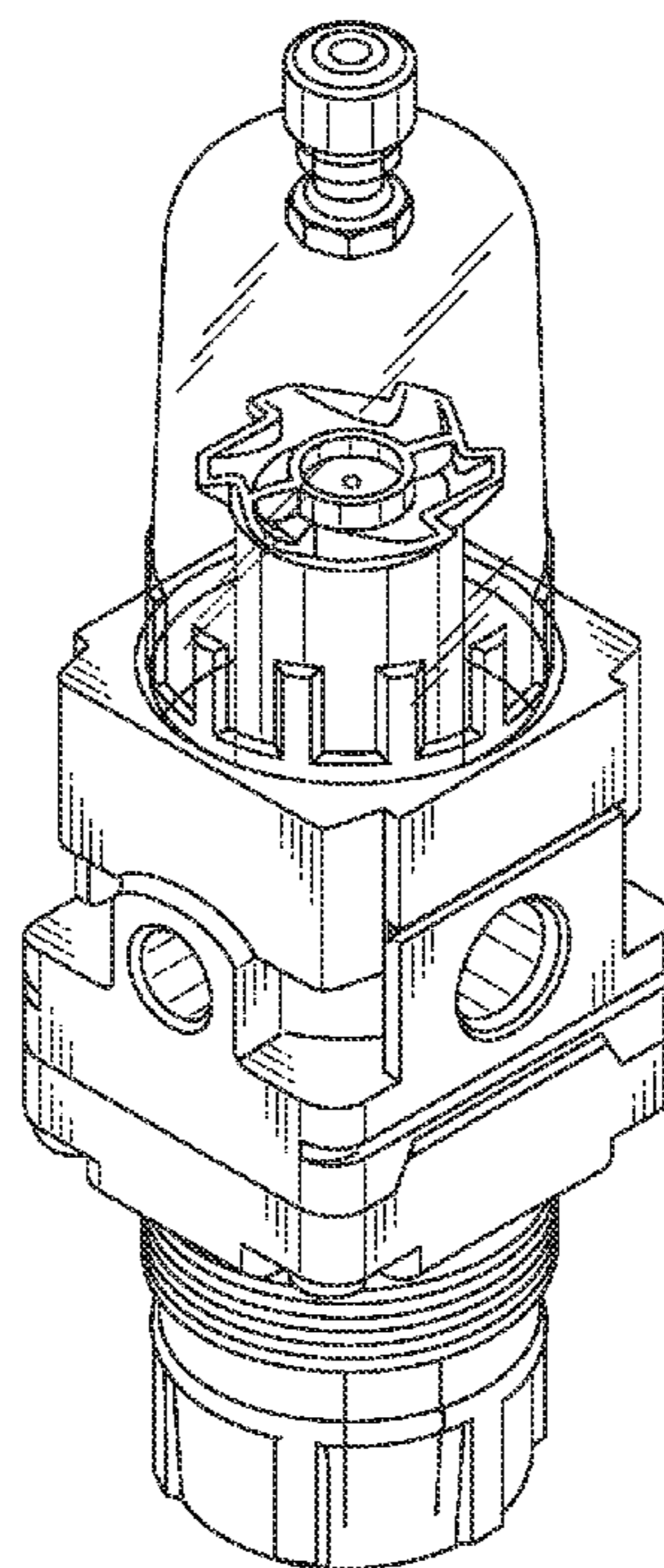


FIG. 1

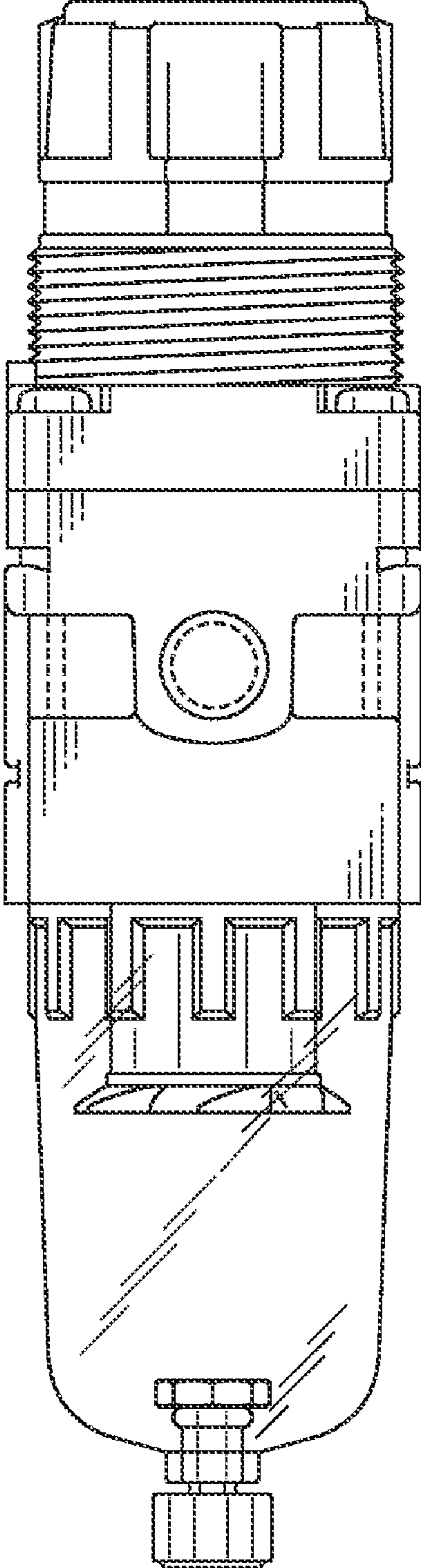


FIG. 2

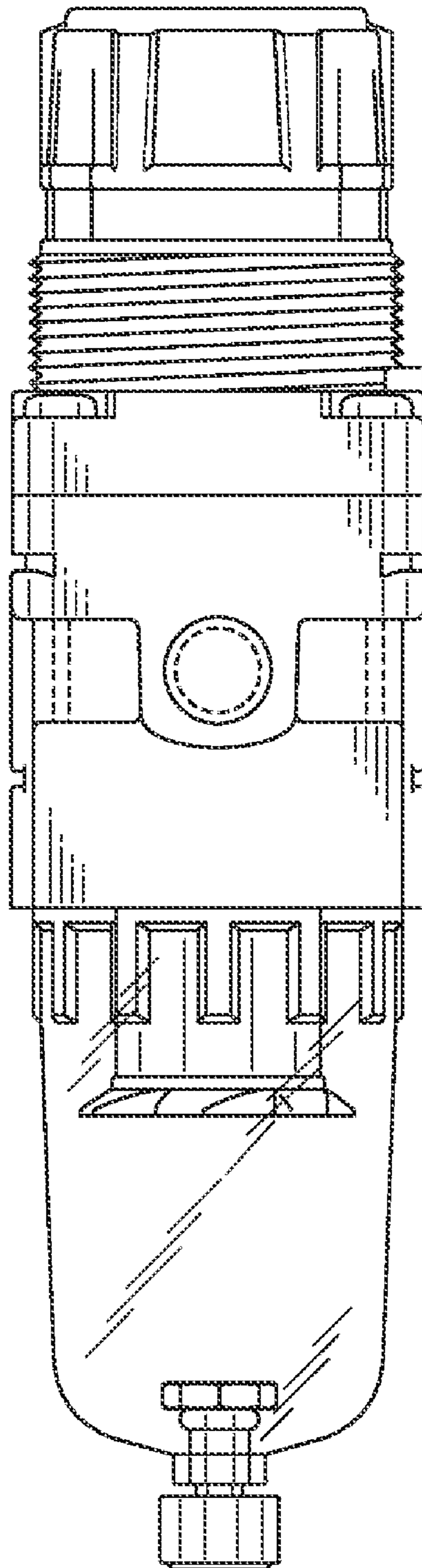


FIG. 3

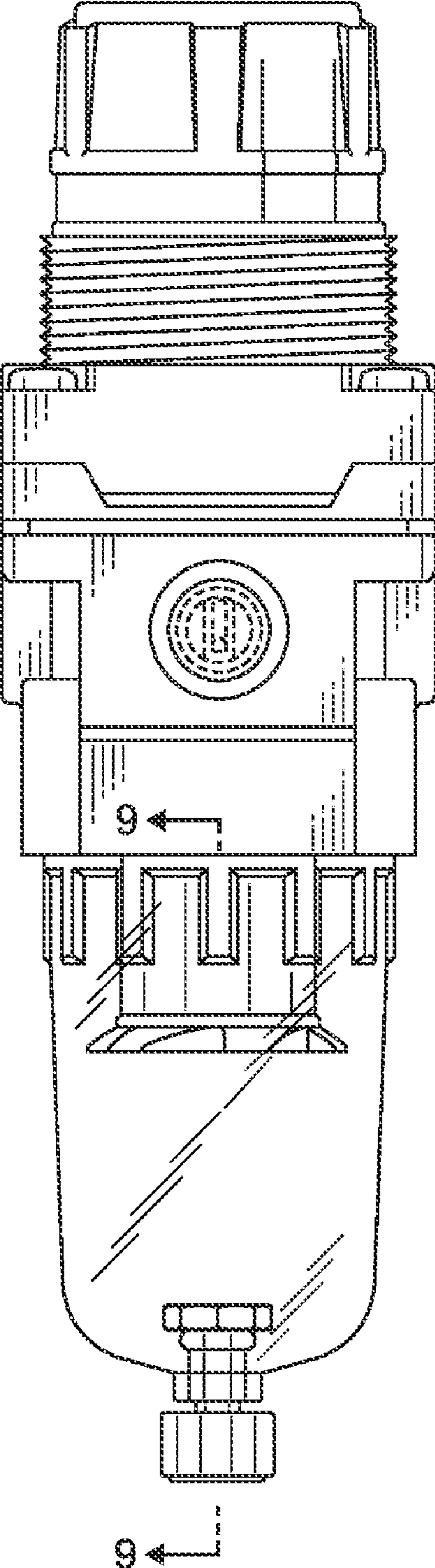


FIG. 4

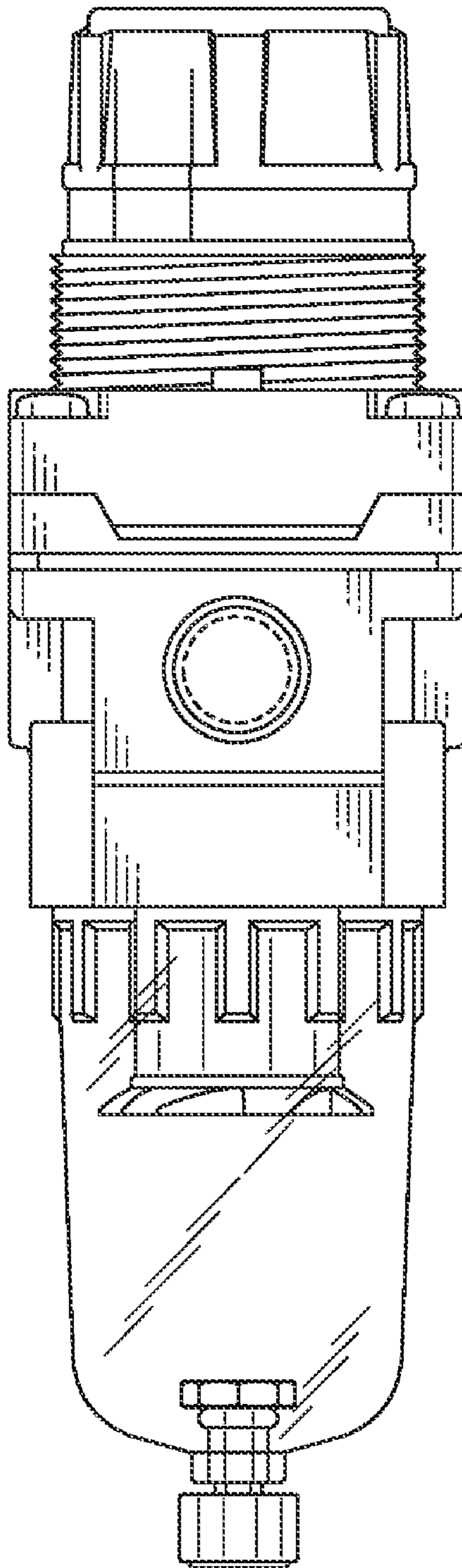


FIG. 5

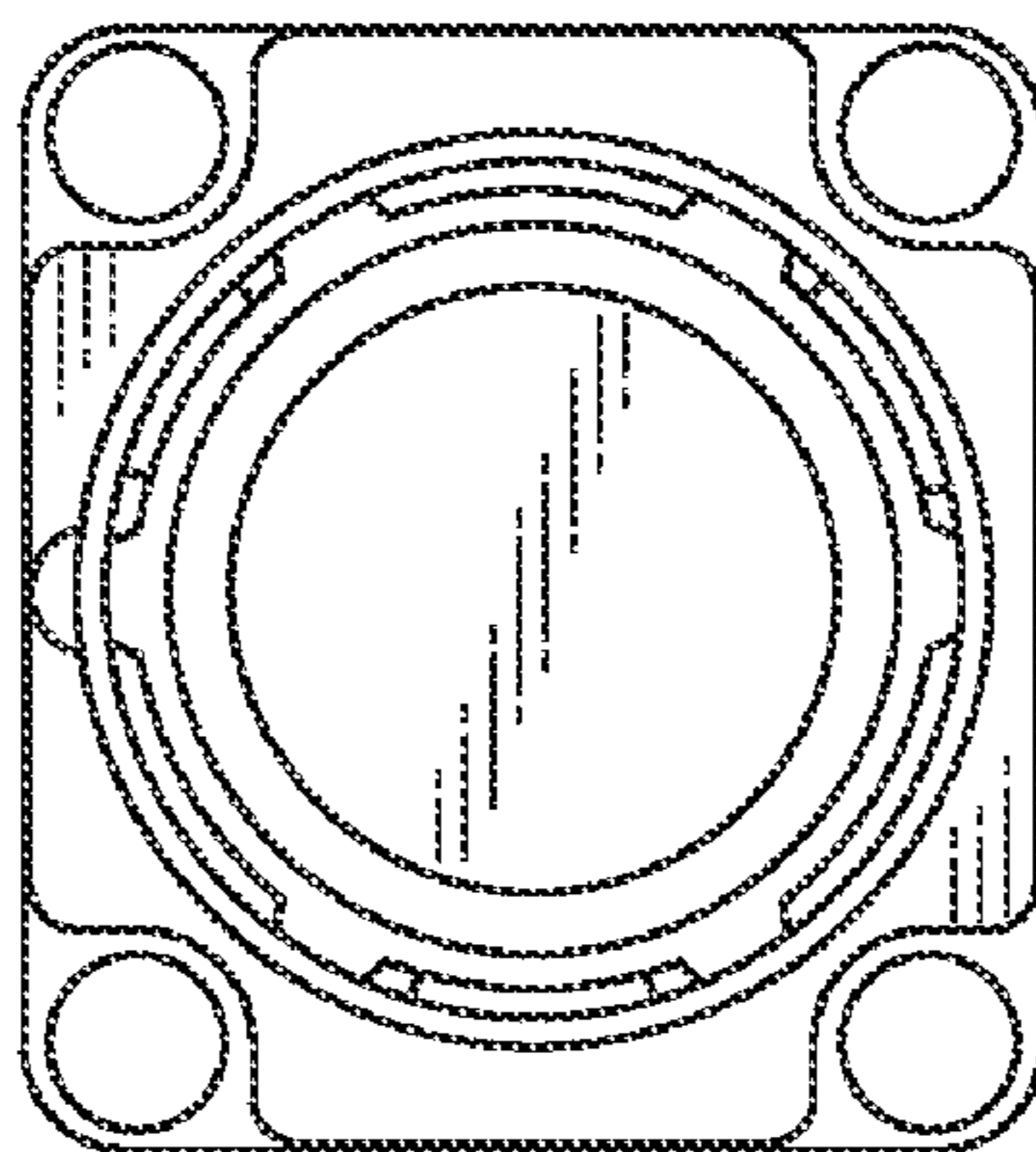


FIG. 6

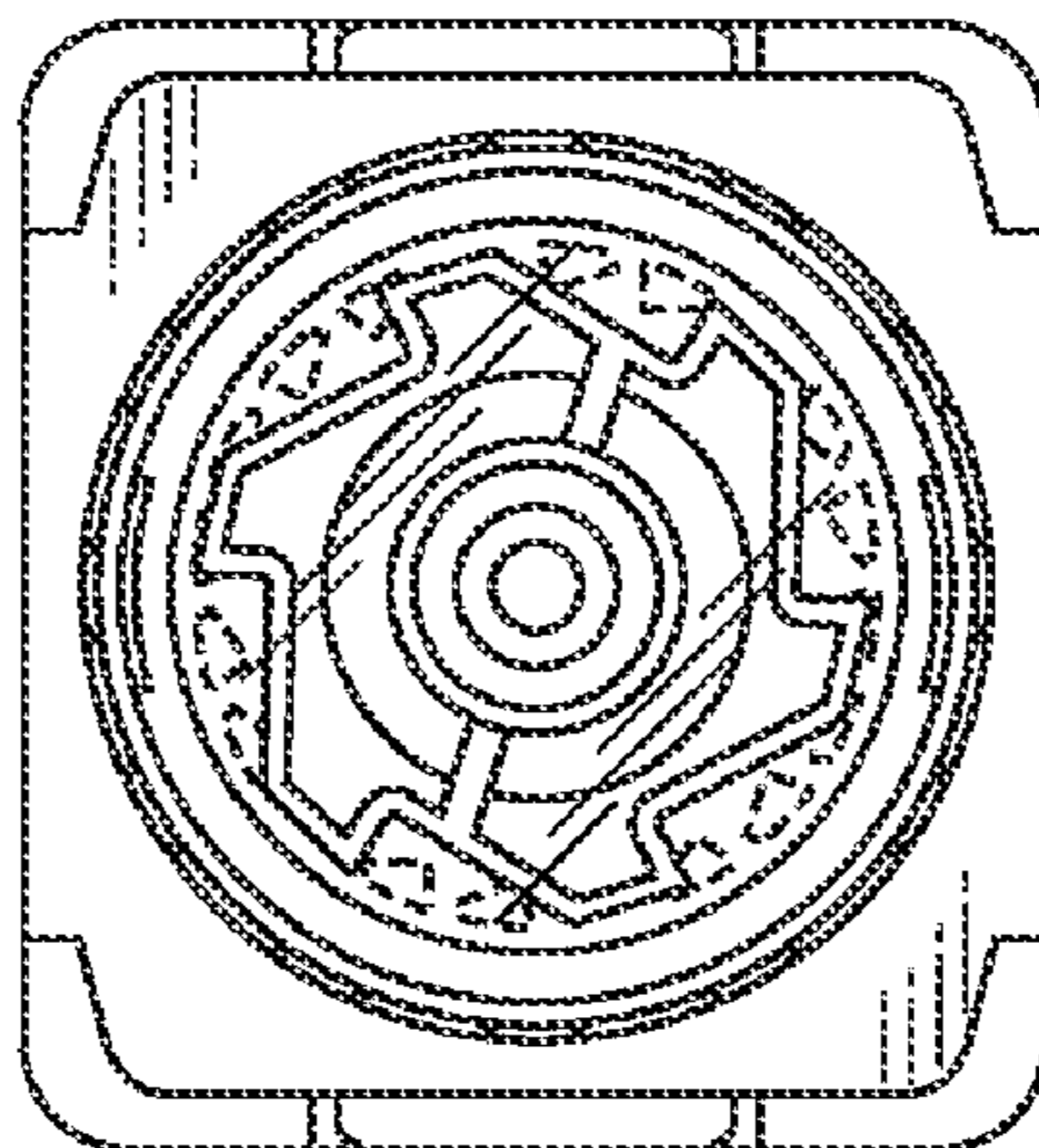


FIG. 7

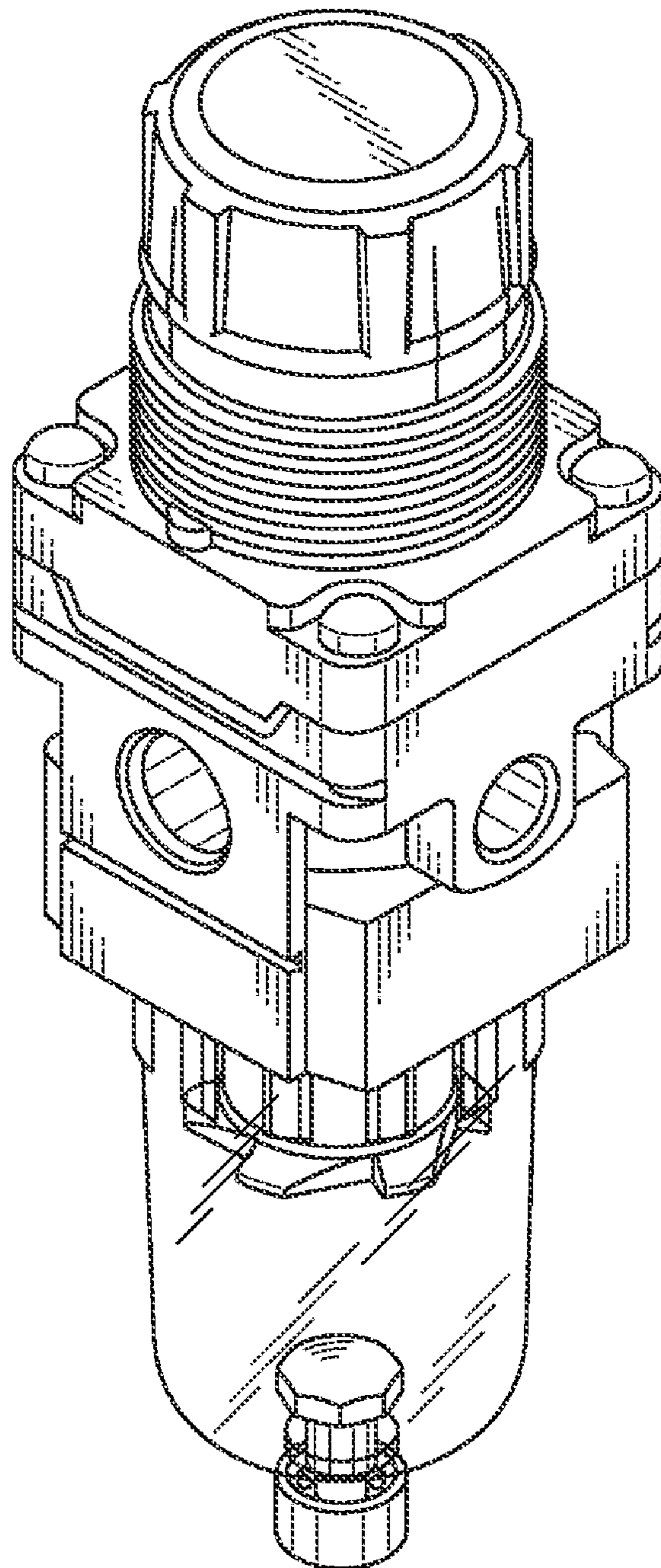


FIG. 8

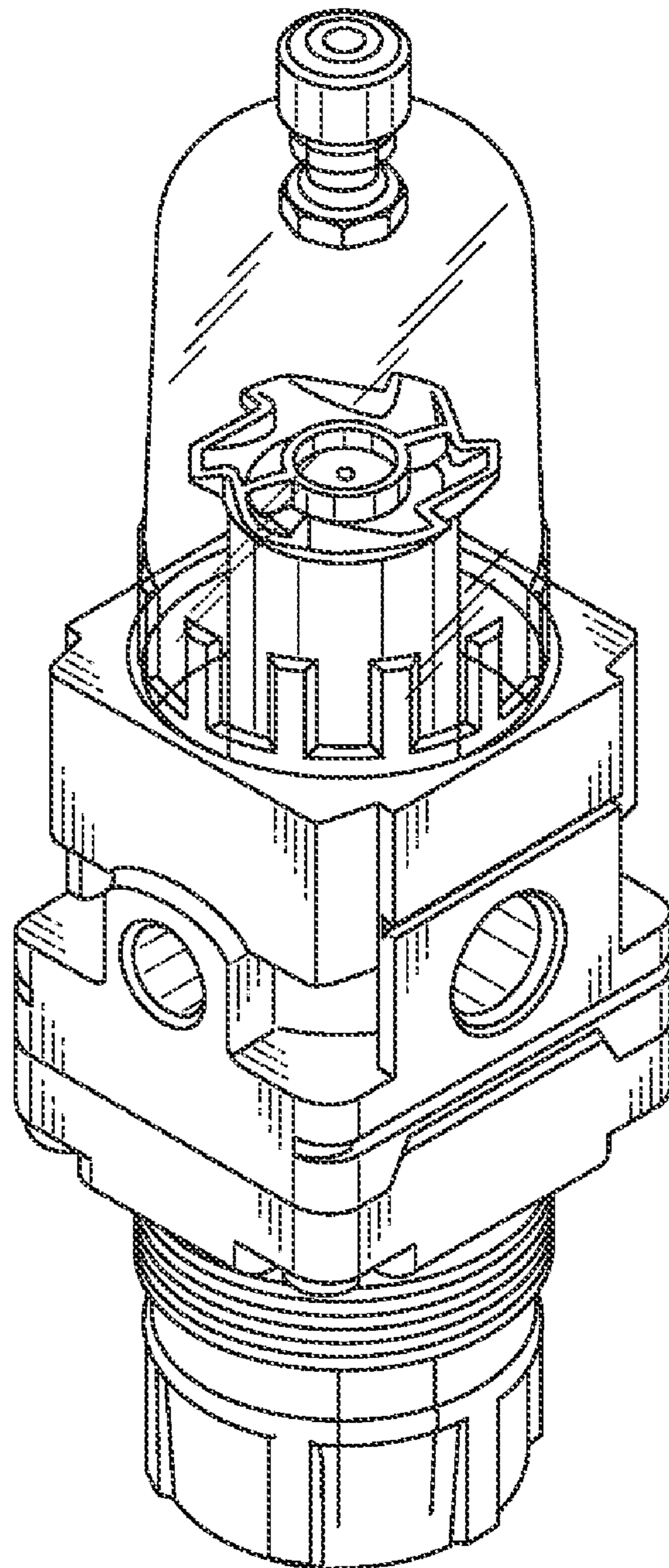


FIG. 9

