



US00D659811S

(12) **United States Design Patent**
Licini

(10) **Patent No.:** **US D659,811 S**
(45) **Date of Patent:** **** May 15, 2012**

- (54) **SINK**
- (75) Inventor: **Frederic Licini**, l'Etang la Ville (FR)
- (73) Assignee: **Kohler France S.A.S.**, La Plaine Saint-Denis (FR)
- (**) Term: **14 Years**
- (21) Appl. No.: **29/387,619**
- (22) Filed: **Mar. 15, 2011**
- (51) **LOC (9) Cl.** **23-02**
- (52) **U.S. Cl.** **D23/293.1**
- (58) **Field of Classification Search** D23/284, D23/290-292, 293.1, 303, 308; 4/619, 639-640
See application file for complete search history.

(56) **References Cited**

U.S. PATENT DOCUMENTS

D434,124 S *	11/2000	McKeone	D23/284
D538,407 S *	3/2007	Bates et al.	D23/290
D632,766 S *	2/2011	Matsuura et al.	D23/284
D634,409 S *	3/2011	Palomba et al.	D23/284
D636,855 S *	4/2011	Thomas	D23/293.1

* cited by examiner

Primary Examiner — Robert Delehanty
(74) *Attorney, Agent, or Firm* — Foley & Lardner LLP

(57) **CLAIM**

I claim the ornamental design for a sink, as shown and described.

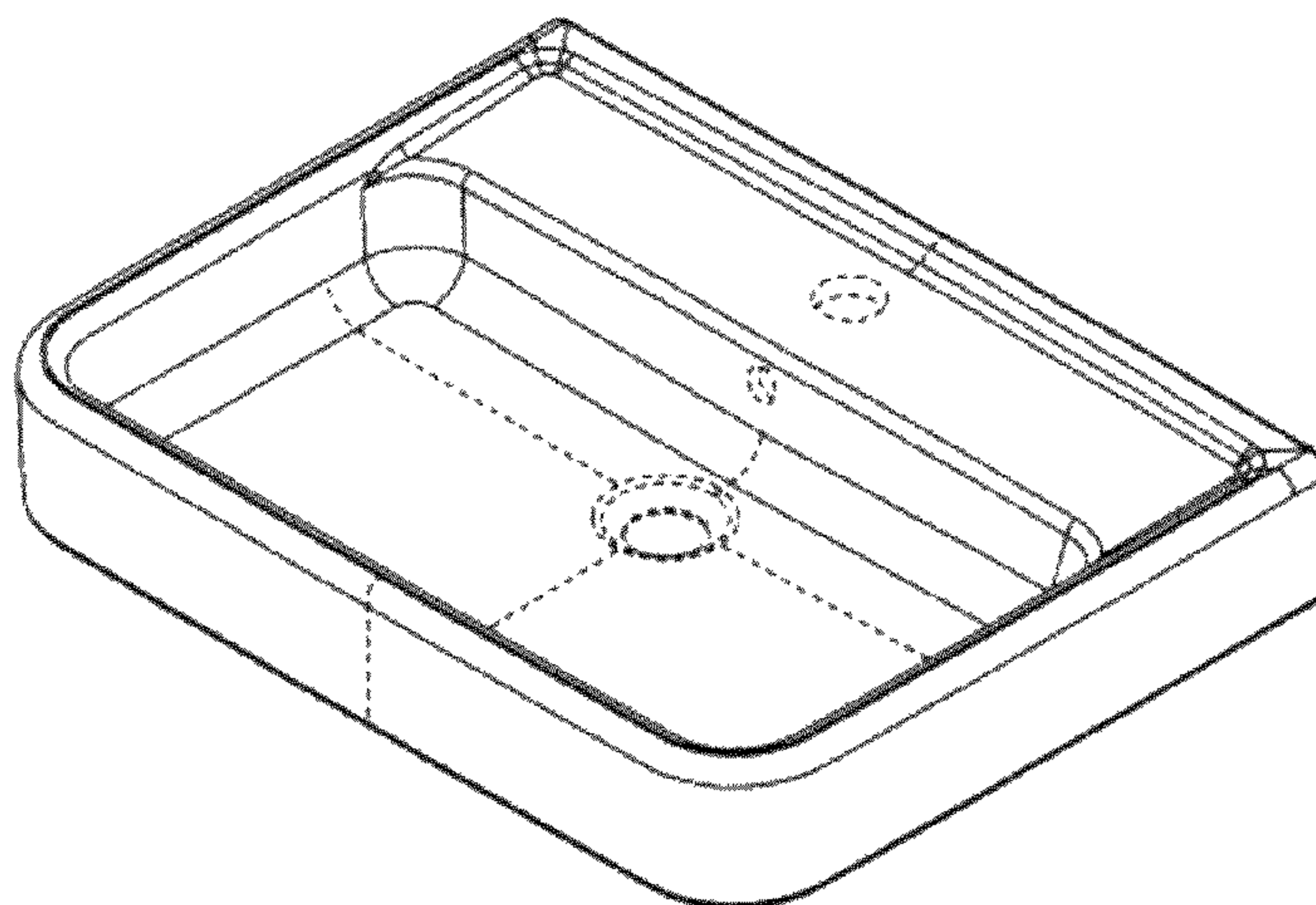
DESCRIPTION

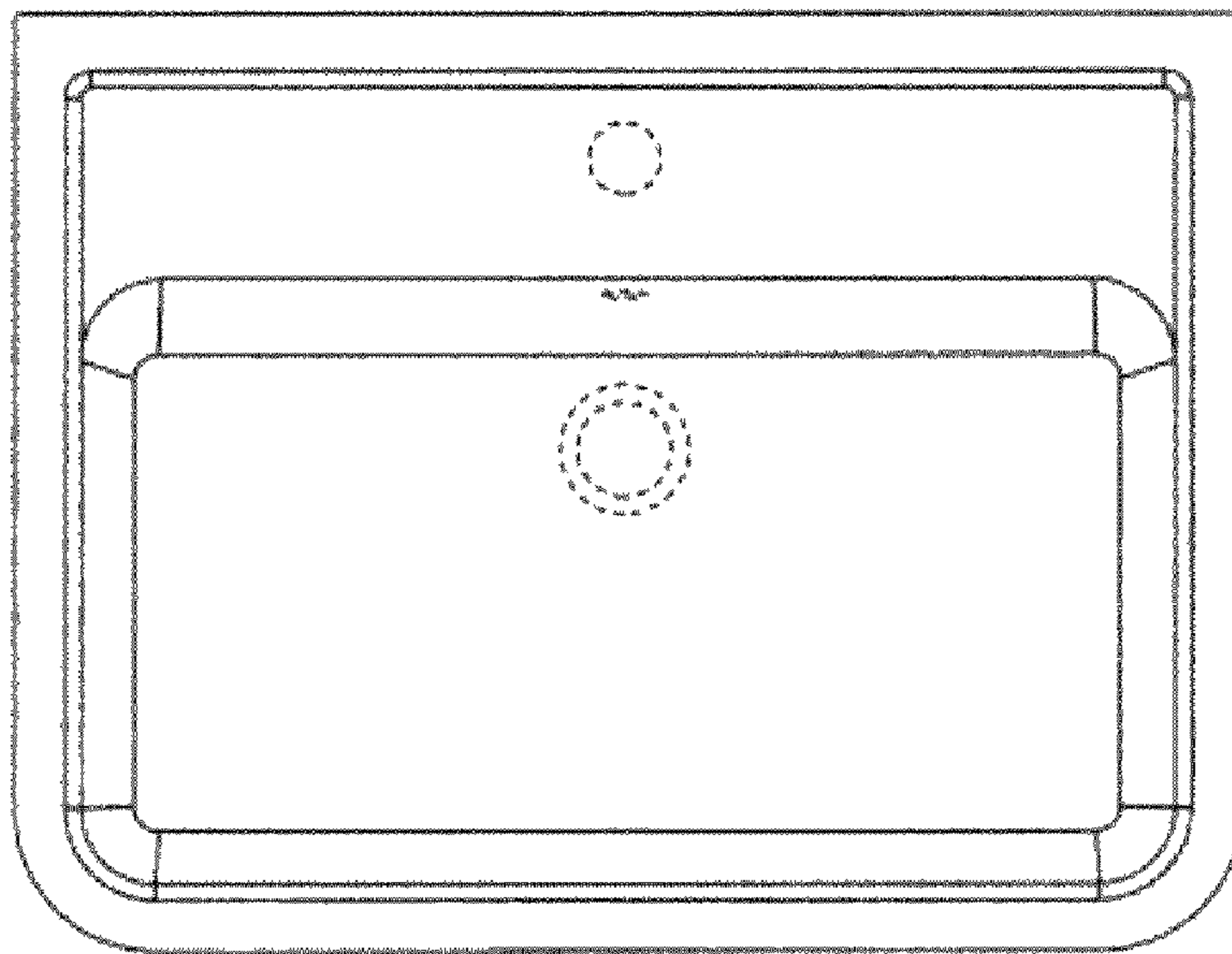
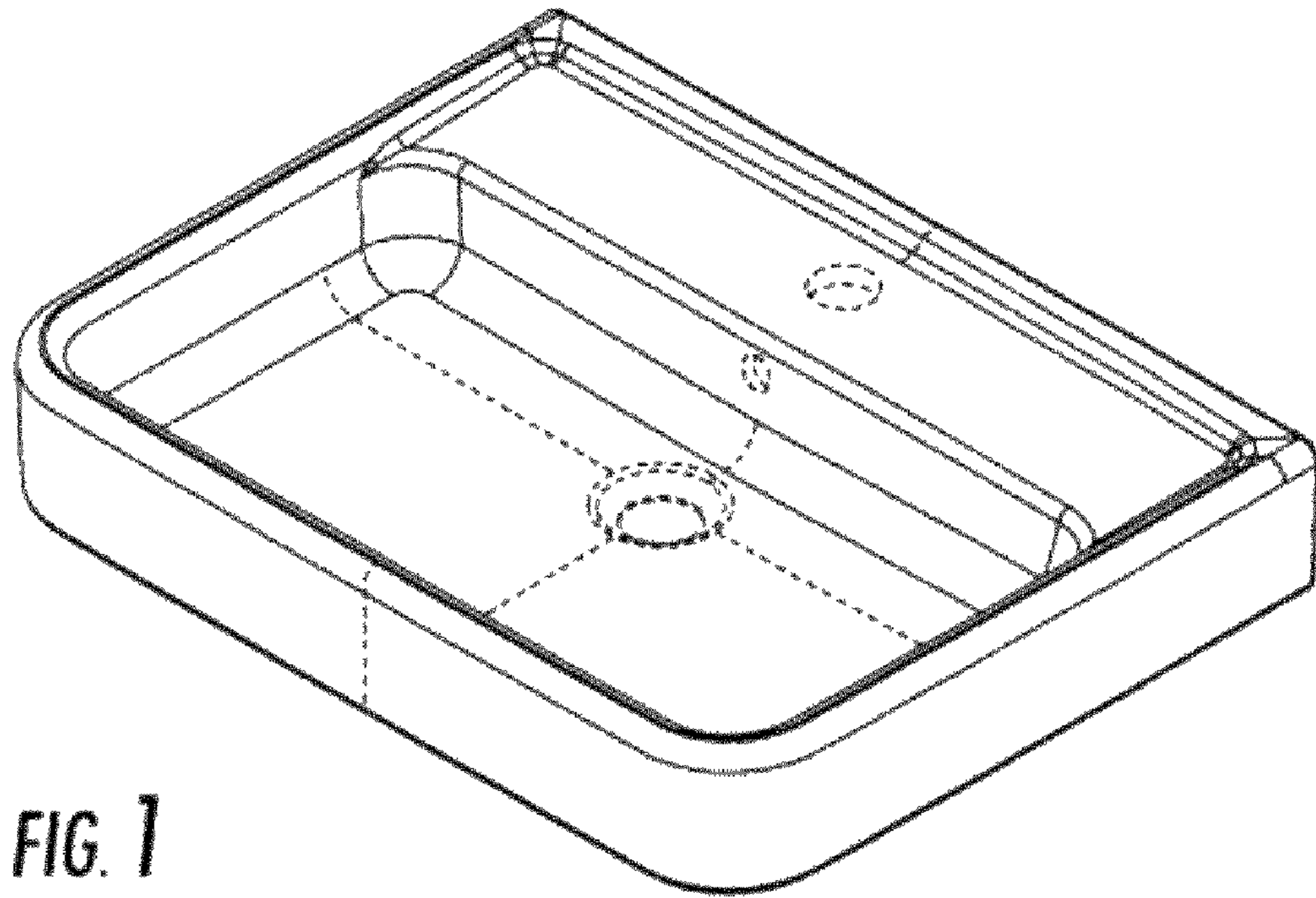
FIG. 1 is a top isometric view of an embodiment of the claimed design;
FIG. 2 is a top plan view of the claimed design of FIG. 1;

FIG. 3 is a bottom plan view of the claimed design of FIG. 1;
FIG. 4 is a front elevation view of the claimed design of FIG. 1;
FIG. 5 is a rear elevation view of the claimed design of FIG. 1;
FIG. 6 is a left-side elevation view of the claimed design of FIG. 1;
FIG. 7 is a top isometric view of another embodiment of the claimed design;
FIG. 8 is a top plan view of the claimed design of FIG. 7;
FIG. 9 is a bottom plan view of the claimed design of FIG. 7;
FIG. 10 is a front elevation view of the claimed design of FIG. 7;
FIG. 11 is a rear elevation view of the claimed design of FIG. 7;
FIG. 12 is a left-side elevation view of the claimed design of FIG. 7;
FIG. 13 is a top isometric view of another embodiment of the claimed design;
FIG. 14 is a top plan view of the claimed design of FIG. 13;
FIG. 15 is a bottom plan view of the claimed design of FIG. 13;
FIG. 16 is a front elevation view of the claimed design of FIG. 13;
FIG. 17 is a rear elevation view of the claimed design of FIG. 13; and,
FIG. 18 is a left-side elevation view of the claimed design of FIG. 13.

The ornamental design which is claimed is shown in solid lines in the drawings. The broken lines in the drawings are for illustrative purposes only and form no part of the claimed design.

1 Claim, 9 Drawing Sheets





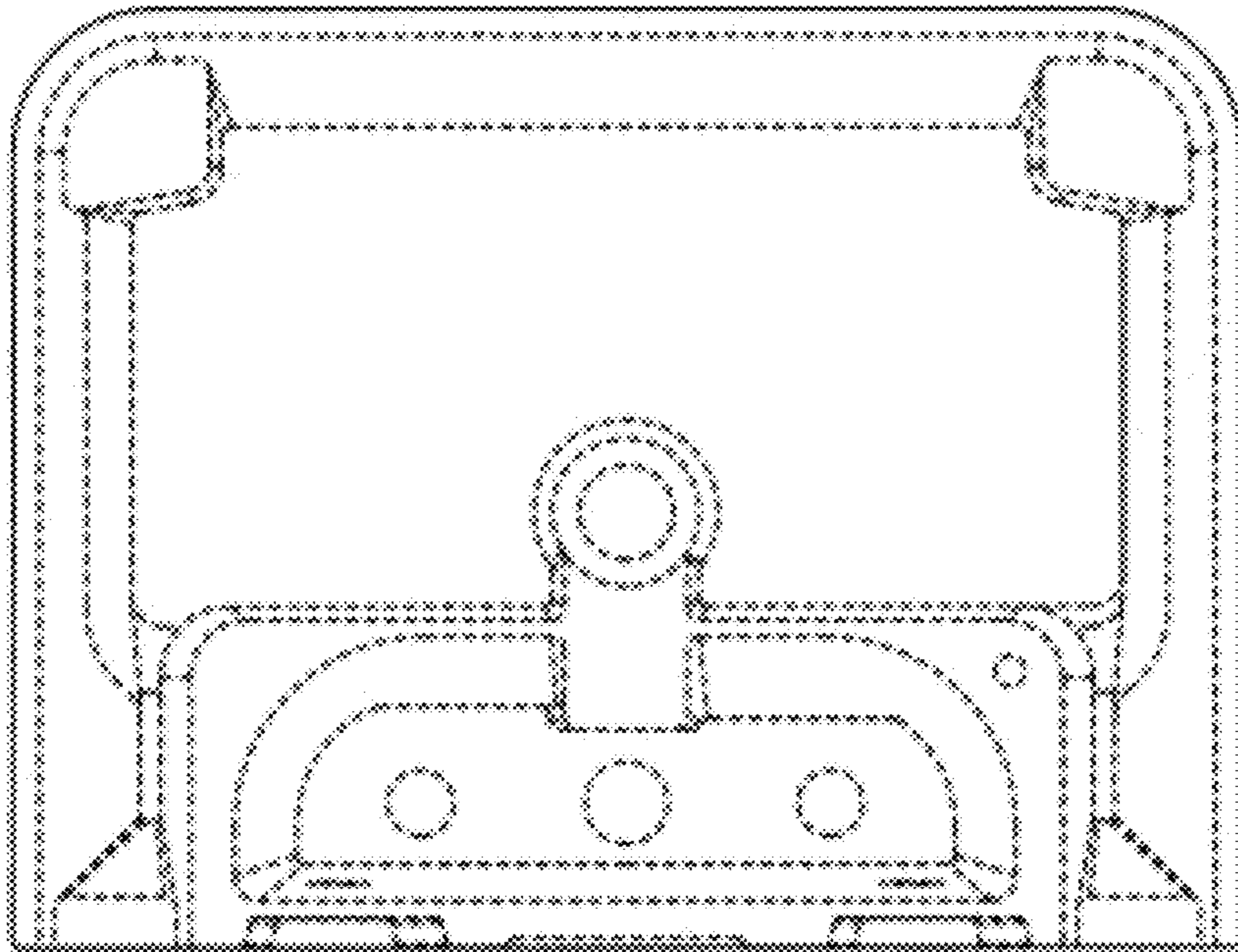


FIG. 3



FIG. 4

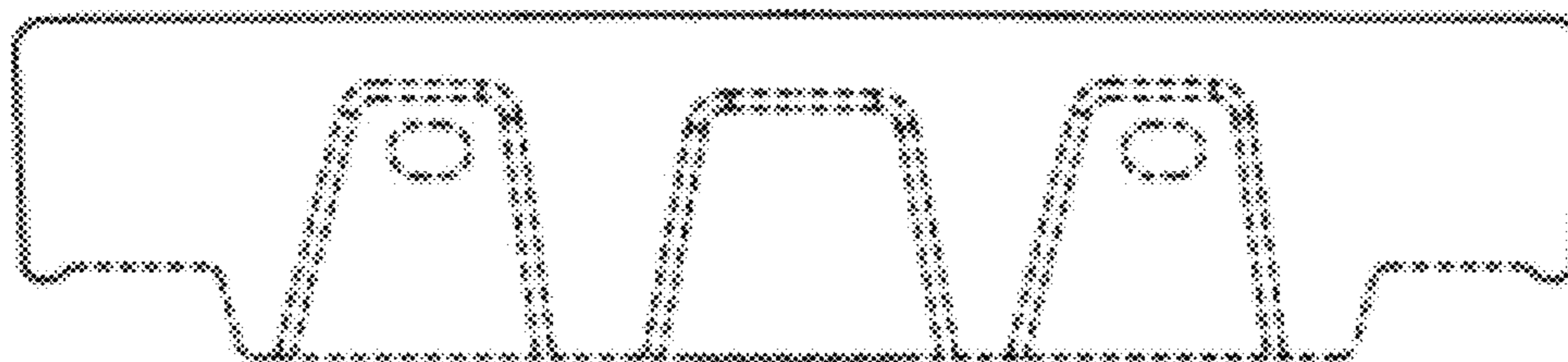
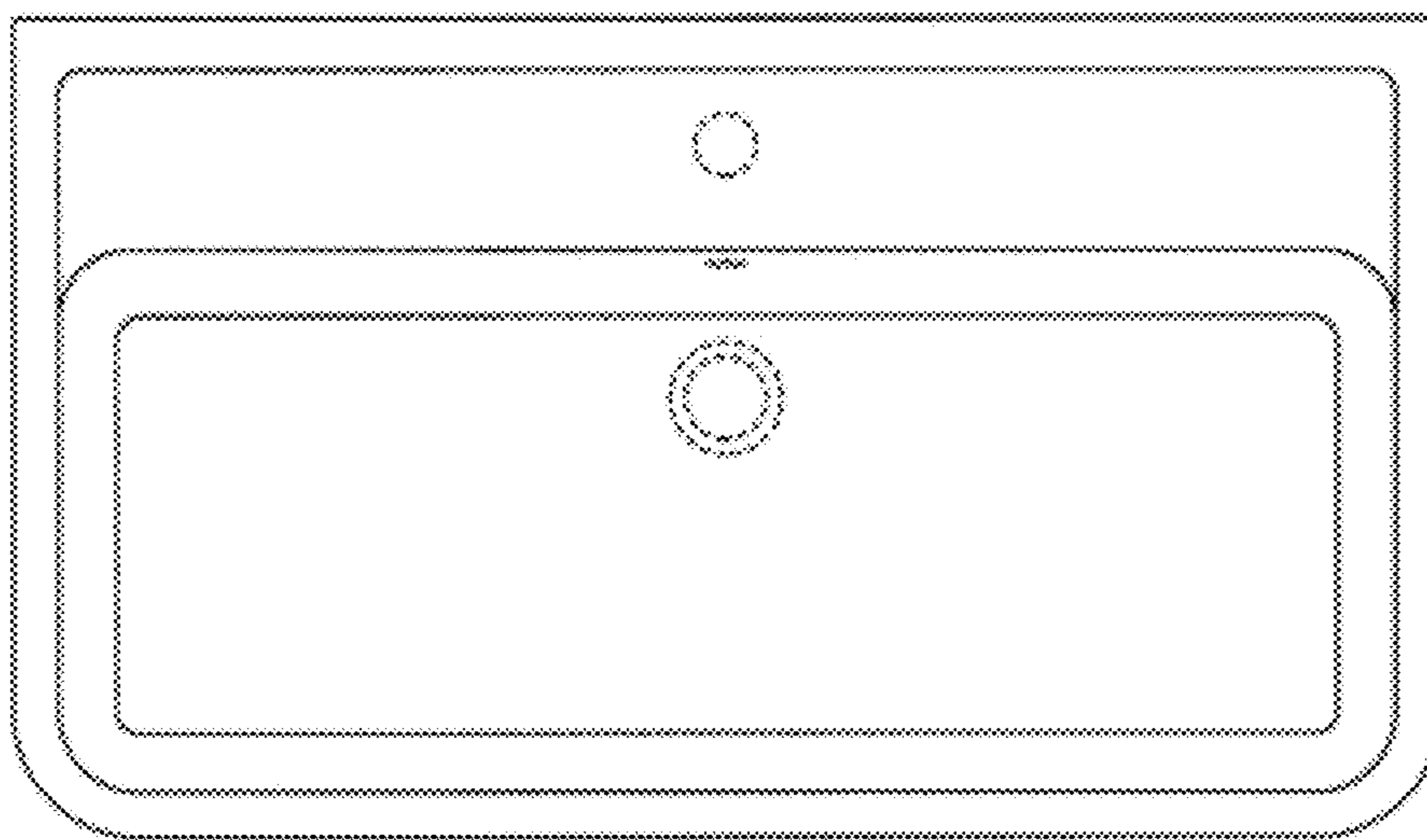
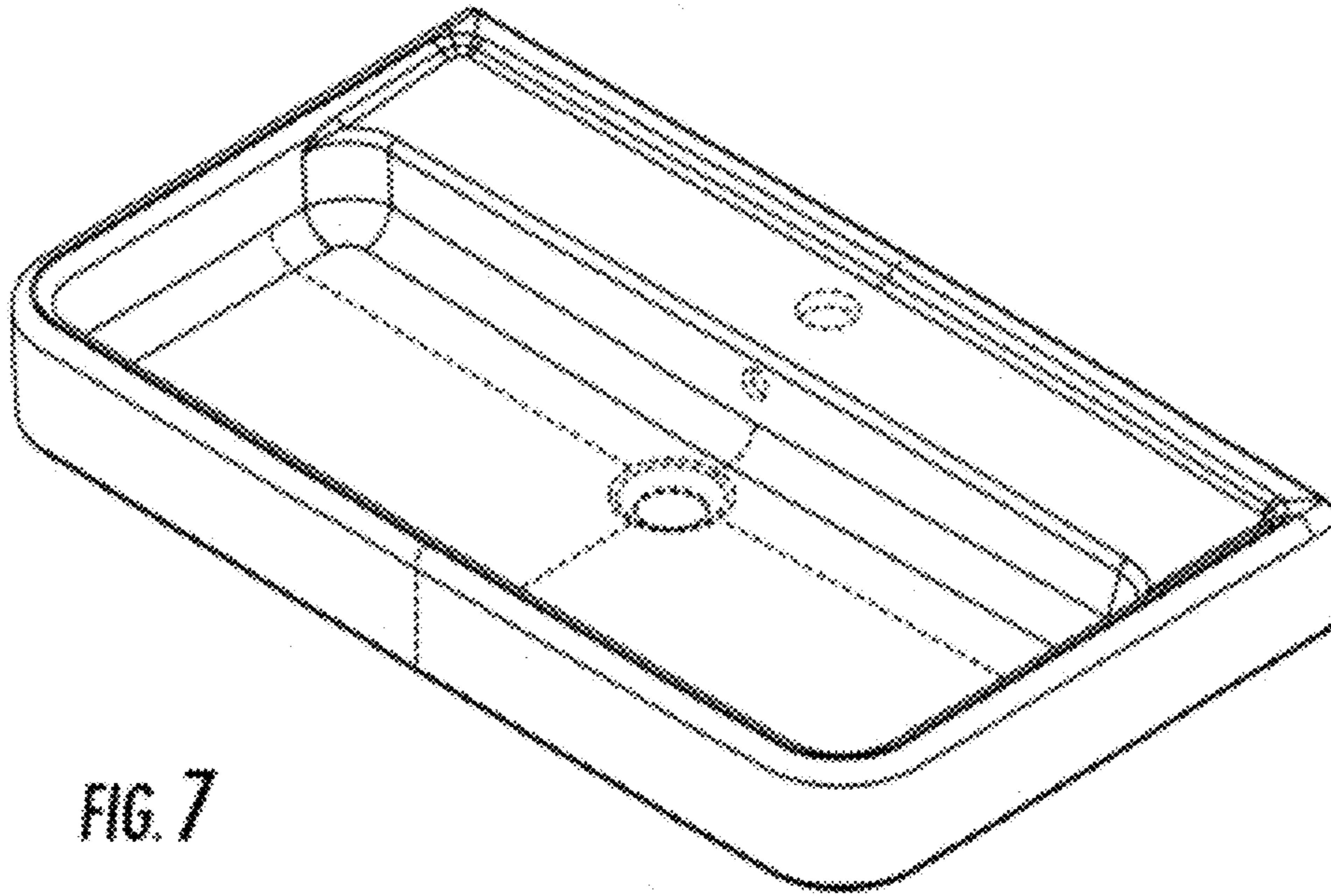


FIG. 5



FIG. 6



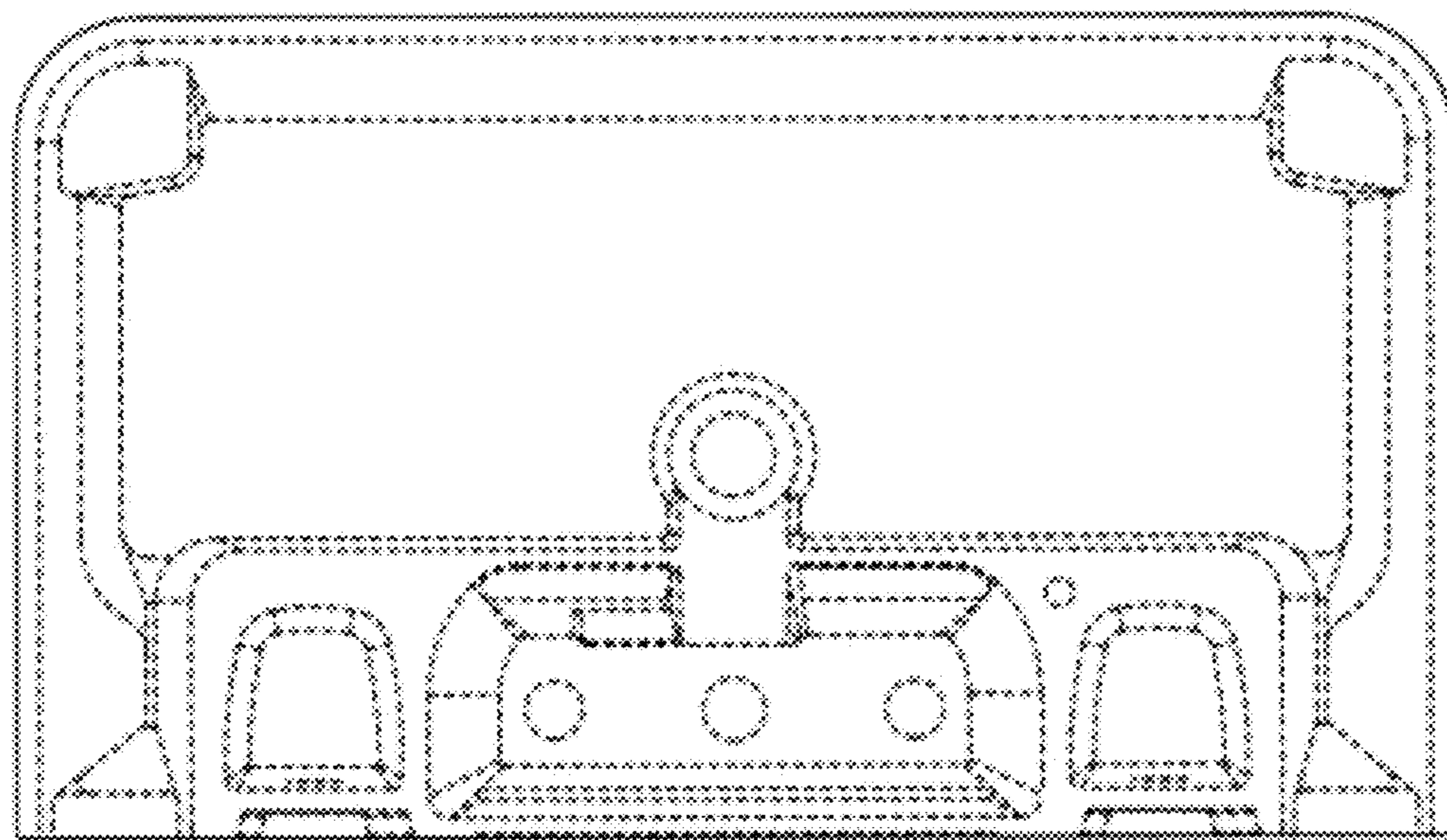


FIG. 9

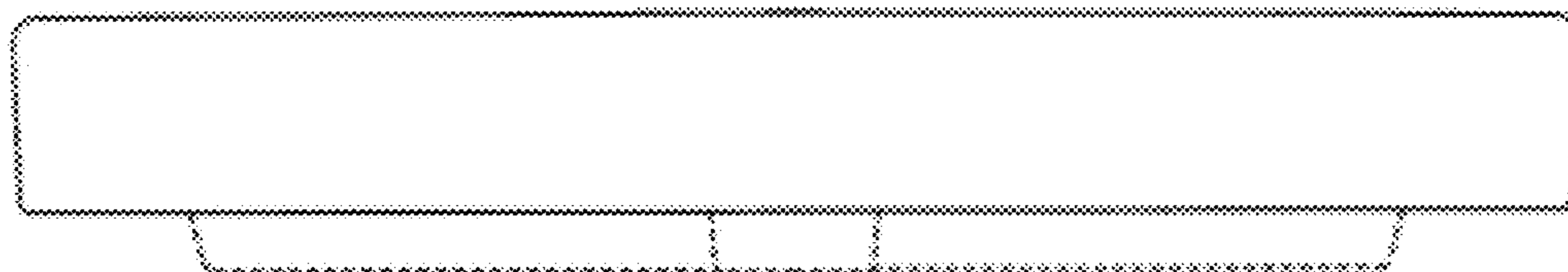


FIG. 10

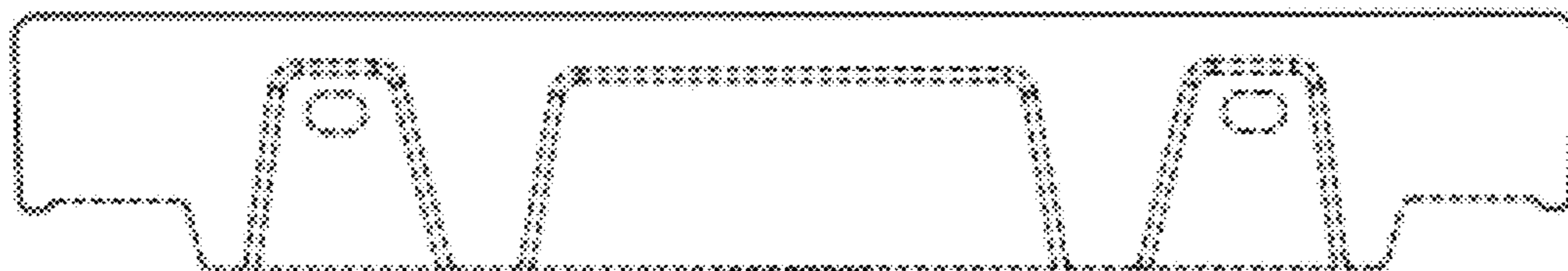


FIG. 11

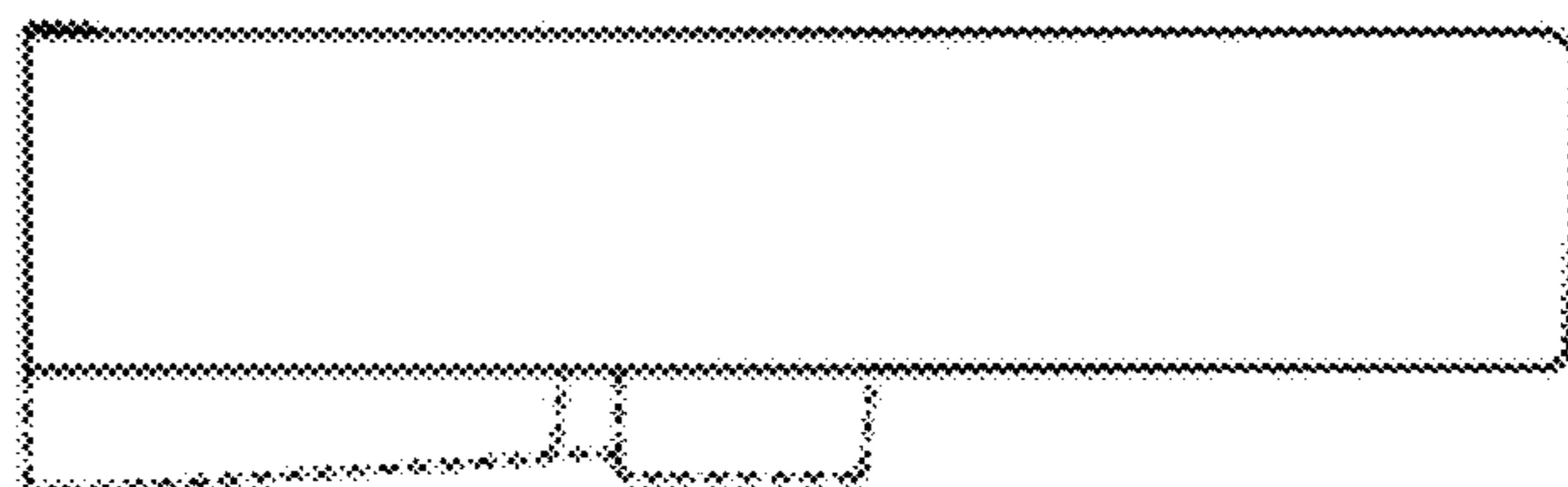


FIG. 12

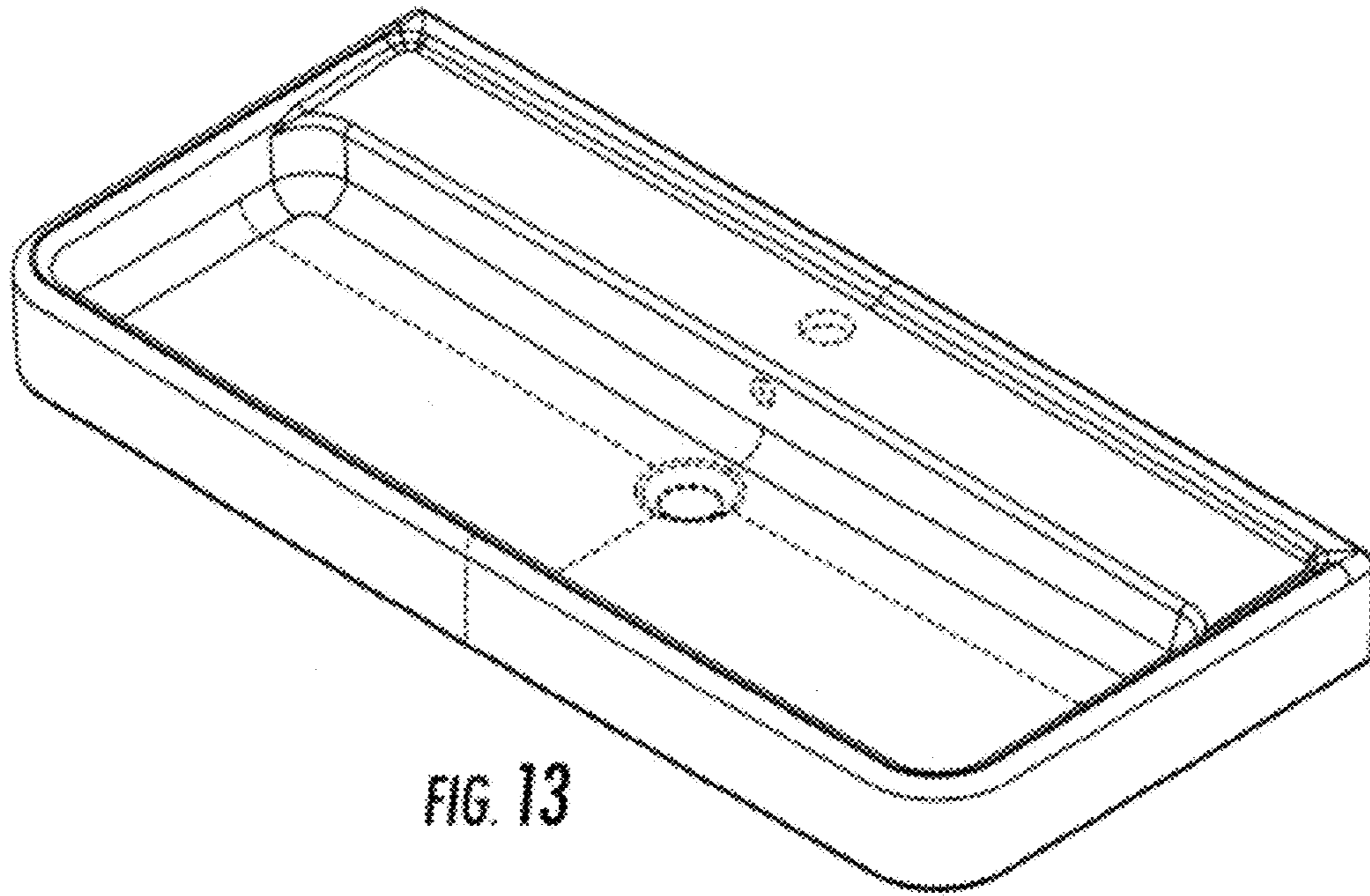


FIG. 13

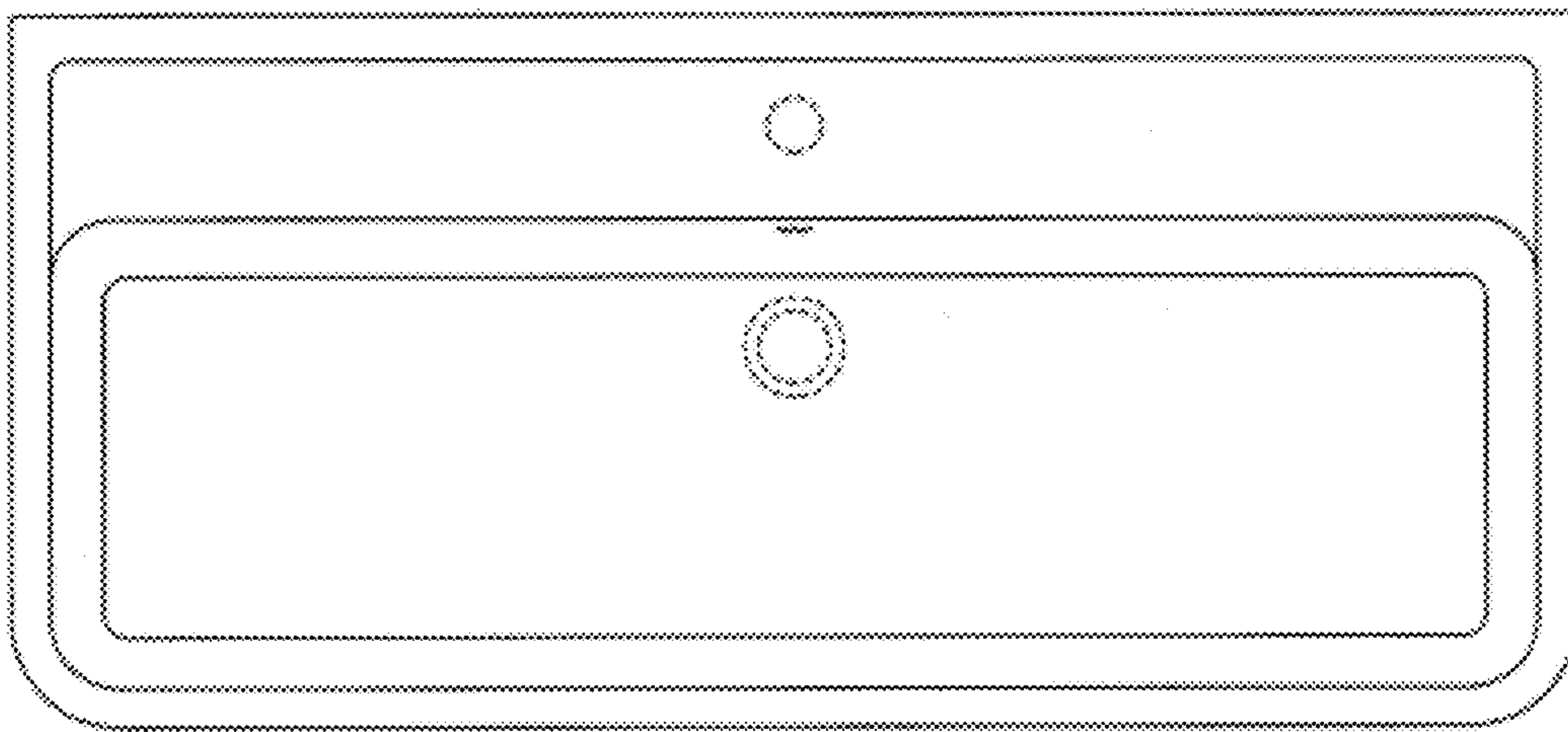


FIG. 14

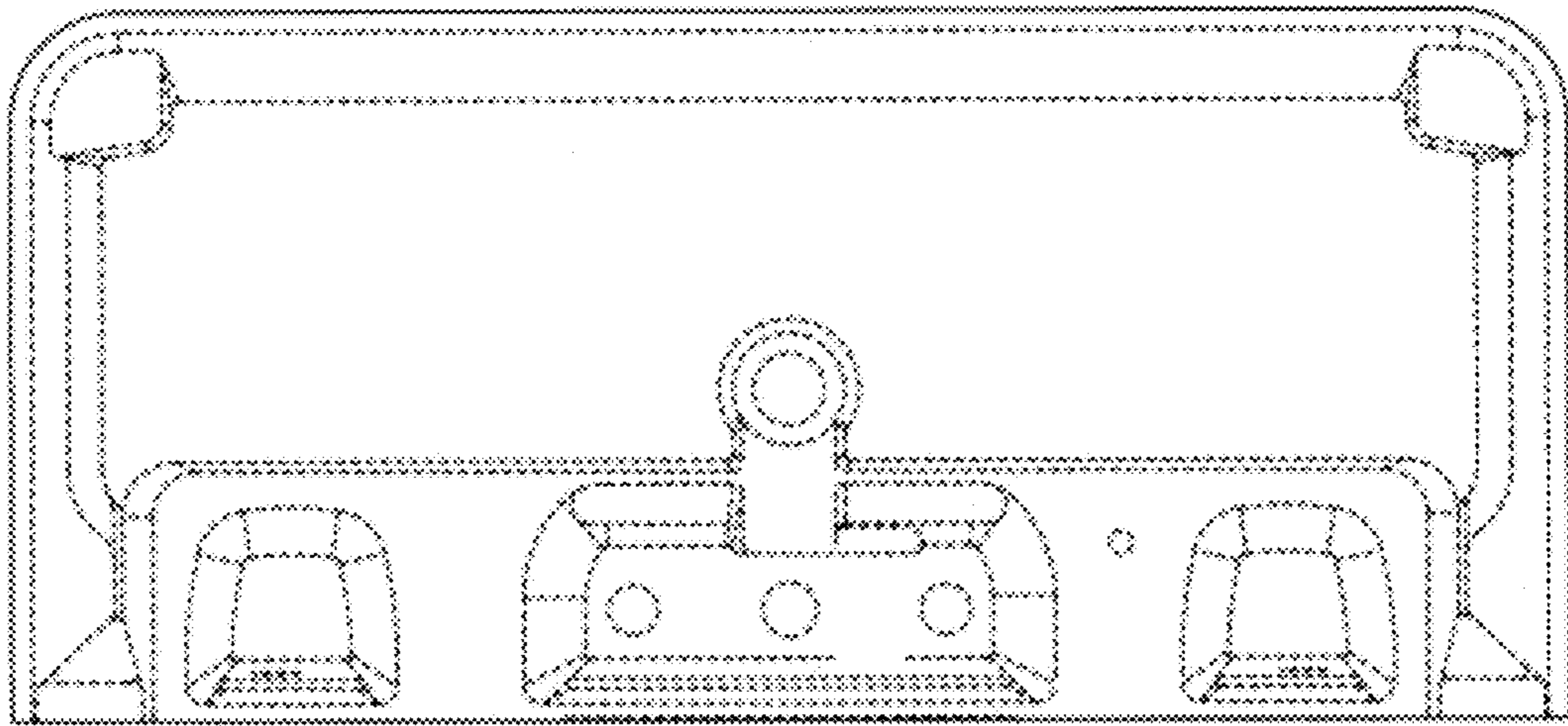


FIG. 15

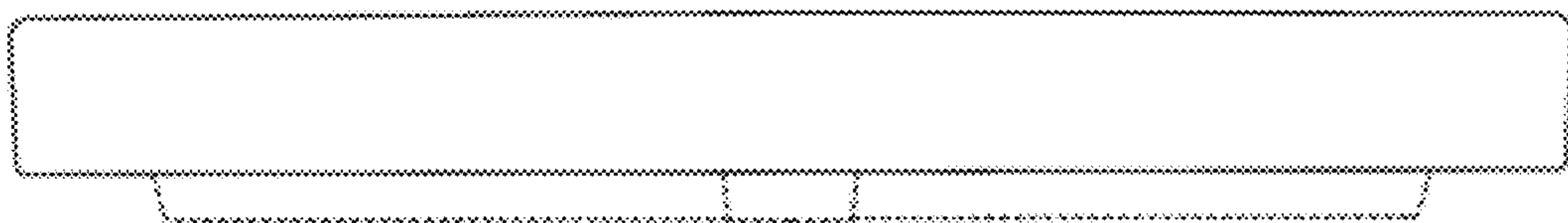


FIG. 16

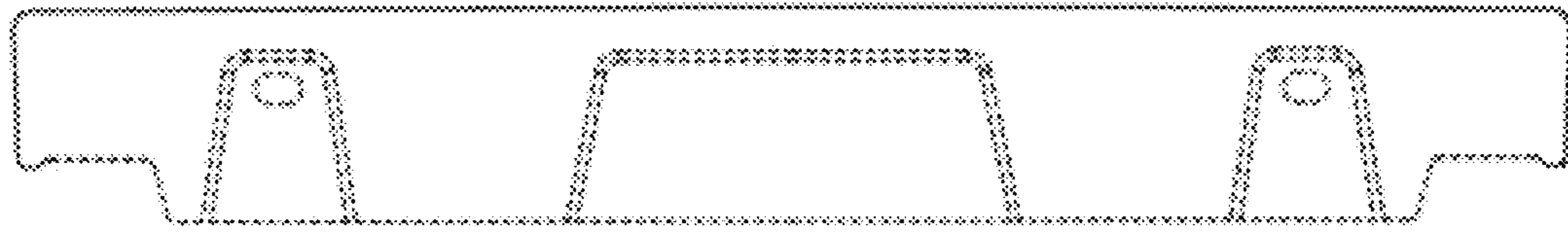


FIG. 17

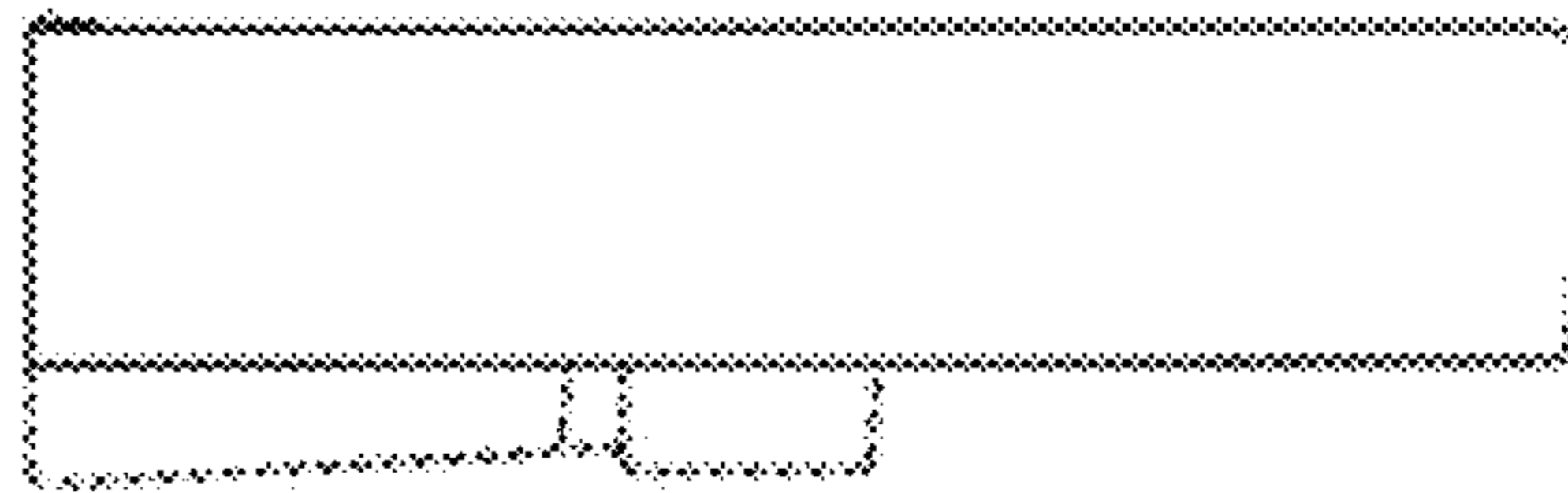


FIG. 18