



US00D659810S

(12) **United States Design Patent**
Eilmus

(10) **Patent No.:** **US D659,810 S**

(45) **Date of Patent:** **** May 15, 2012**

(54) **SINK**

(74) *Attorney, Agent, or Firm* — Foley & Lardner LLP

(75) Inventor: **Niels Eilmus**, Sheboygan, MI (US)

(57) **CLAIM**

I claim the ornamental design for a sink, as shown and described.

(73) Assignee: **Kohler Co.**, Kohler, WI (US)

(**) Term: **14 Years**

DESCRIPTION

(21) Appl. No.: **29/394,689**

FIG. 1 is a top perspective view of an embodiment of the claimed design;

(22) Filed: **Jun. 20, 2011**

FIG. 2 is a top plan view of the claimed design of FIG. 1;

(51) **LOC (9) Cl.** **23-02**

FIG. 3 is a front elevation view of the claimed design of FIG. 1;

(52) **U.S. Cl.** **D23/290**

(58) **Field of Classification Search** D23/284–28,
D23/291, 292, 289, 293.1; 4/619

FIG. 4 is a right-side elevation view of the claimed design of FIG. 1;

See application file for complete search history.

FIG. 5 is a left-side elevation view of the claimed design of FIG. 1;

(56) **References Cited**

FIG. 6 is a rear elevation view of the claimed design of FIG. 1; and,

U.S. PATENT DOCUMENTS

D352,771 S * 11/1994 Walsh et al. D23/290

FIG. 7 is a bottom plan view of the claimed design of FIG. 1.

D510,418 S * 10/2005 Painter D23/290

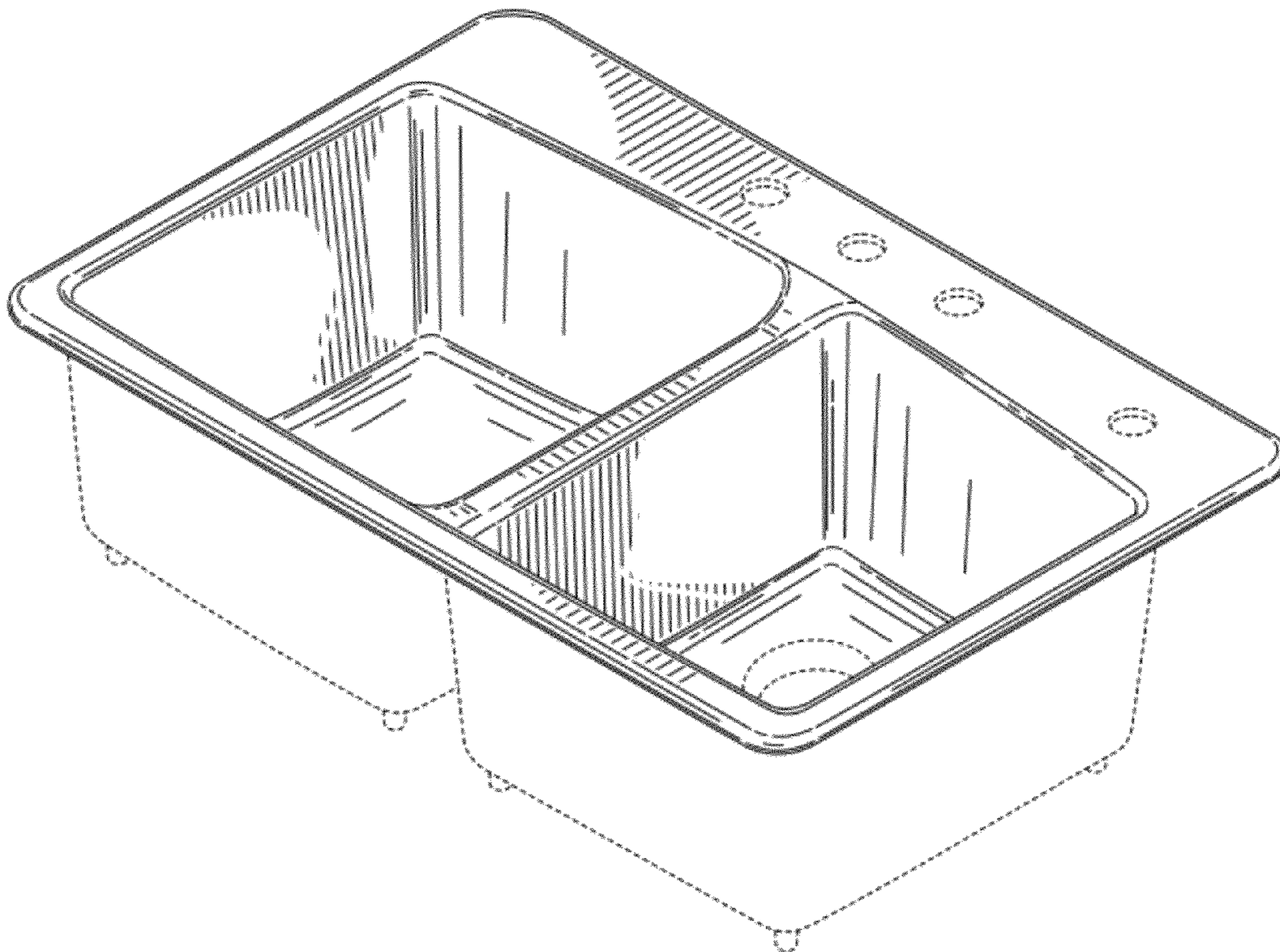
D526,056 S * 8/2006 Arnold D23/290

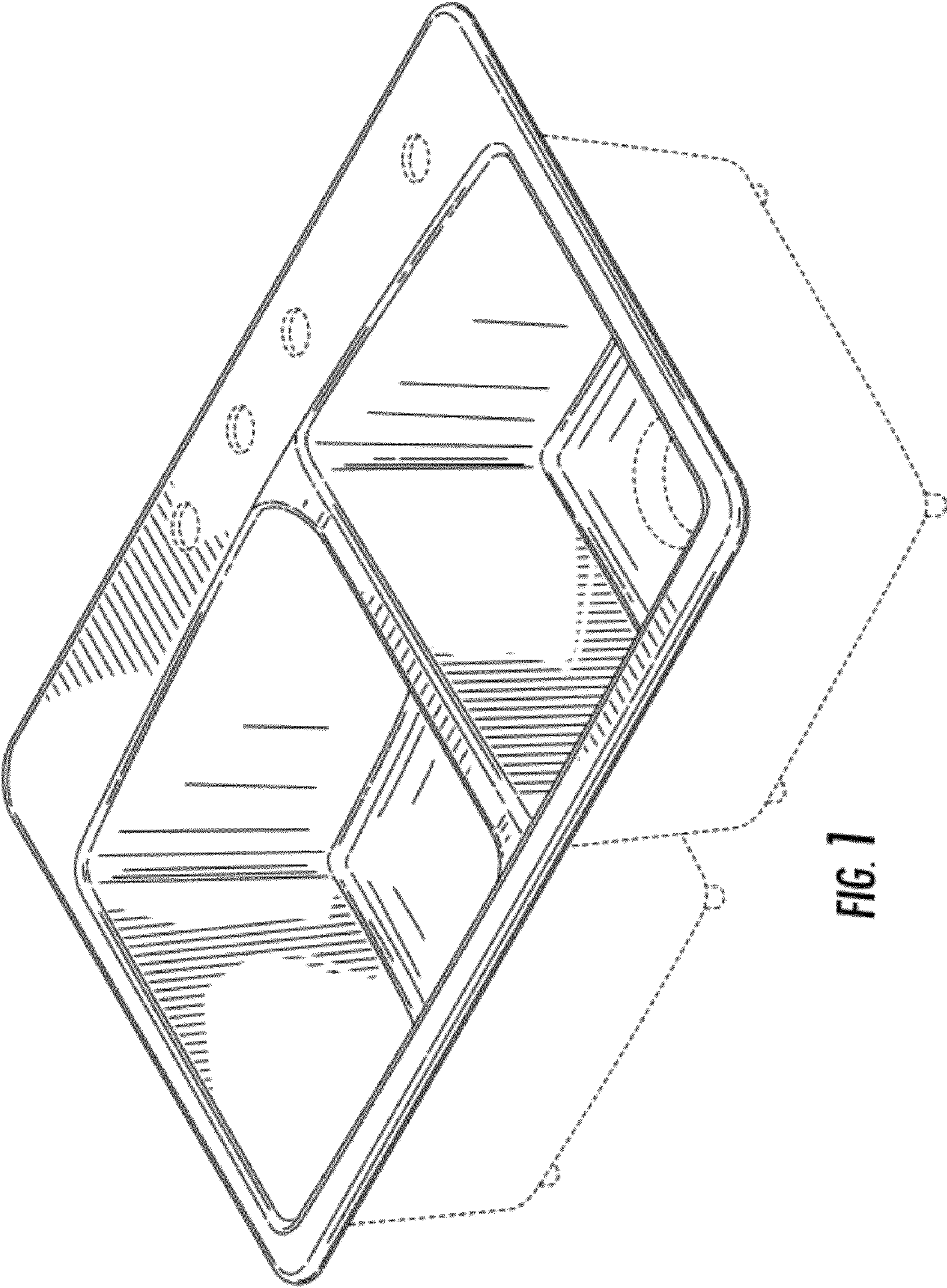
* cited by examiner

The ornamental design which is claimed is shown in solid lines in the drawings. The broken lines in the drawings are for illustrative purposes only and form no part of the claimed design.

Primary Examiner — Robert Delehanty

1 Claim, 6 Drawing Sheets





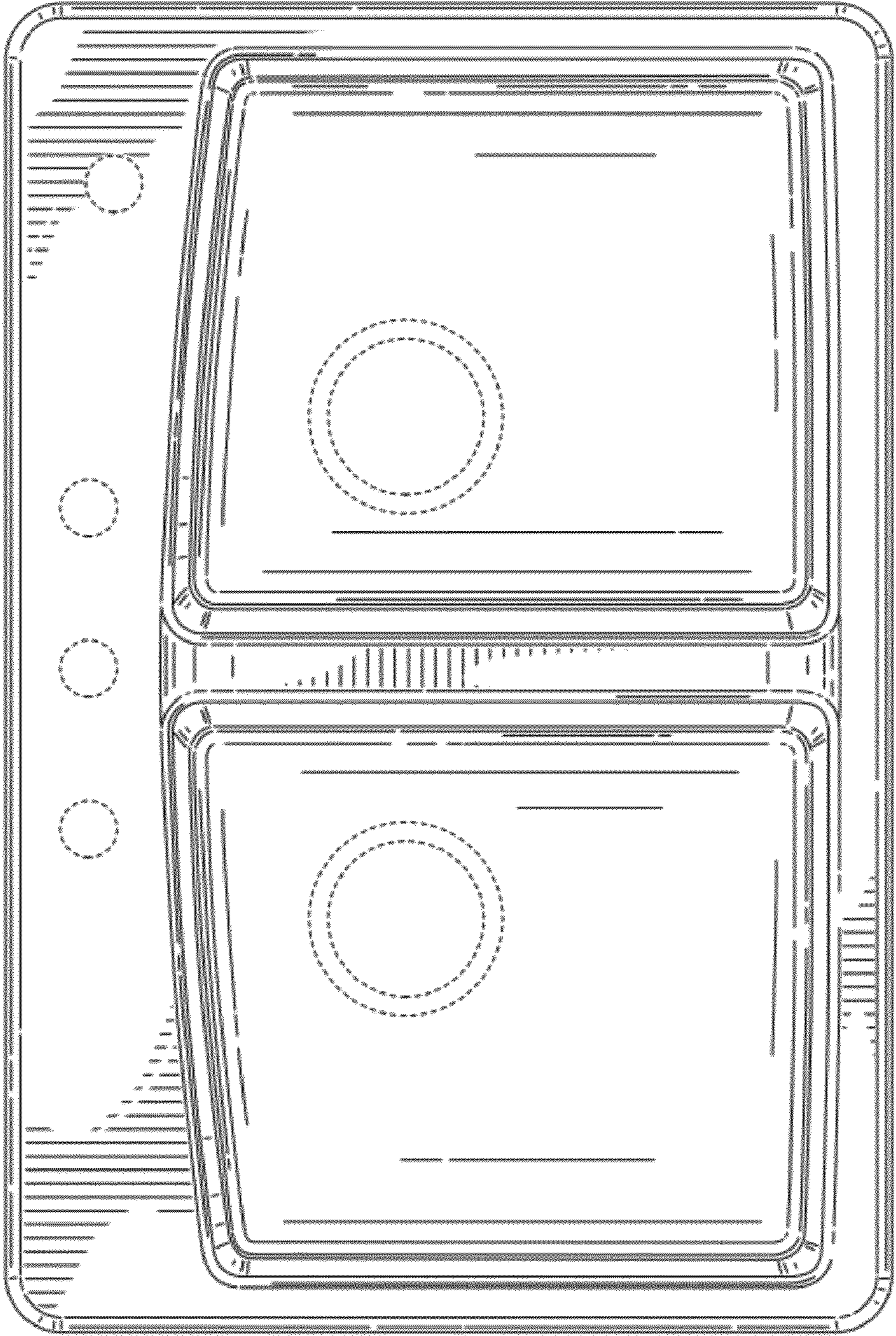


FIG. 2

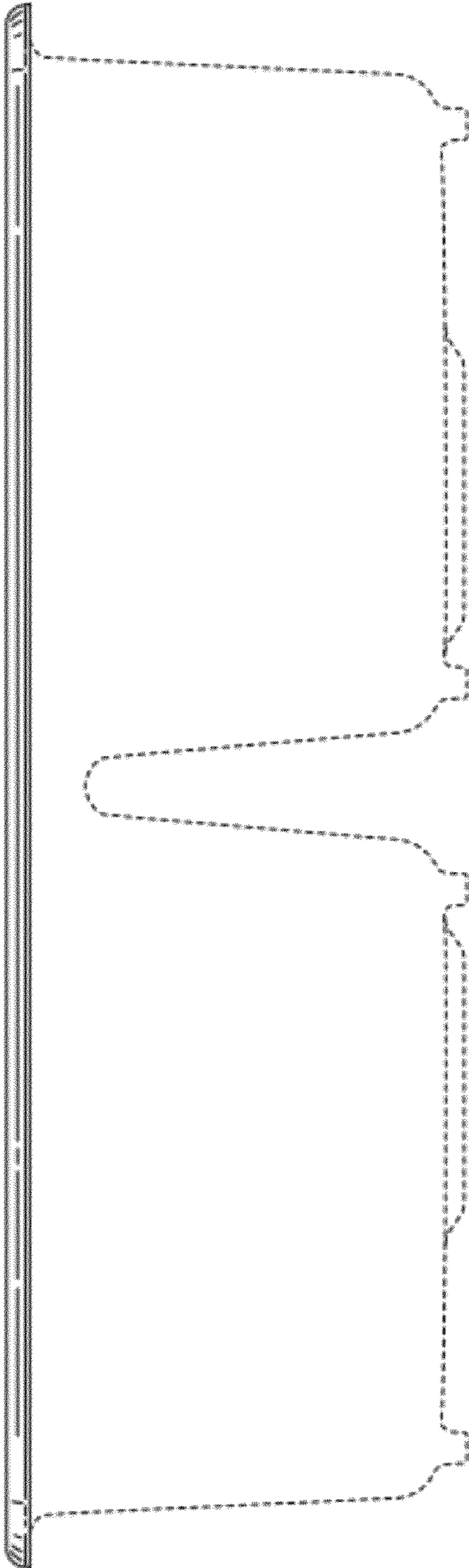


FIG. 3

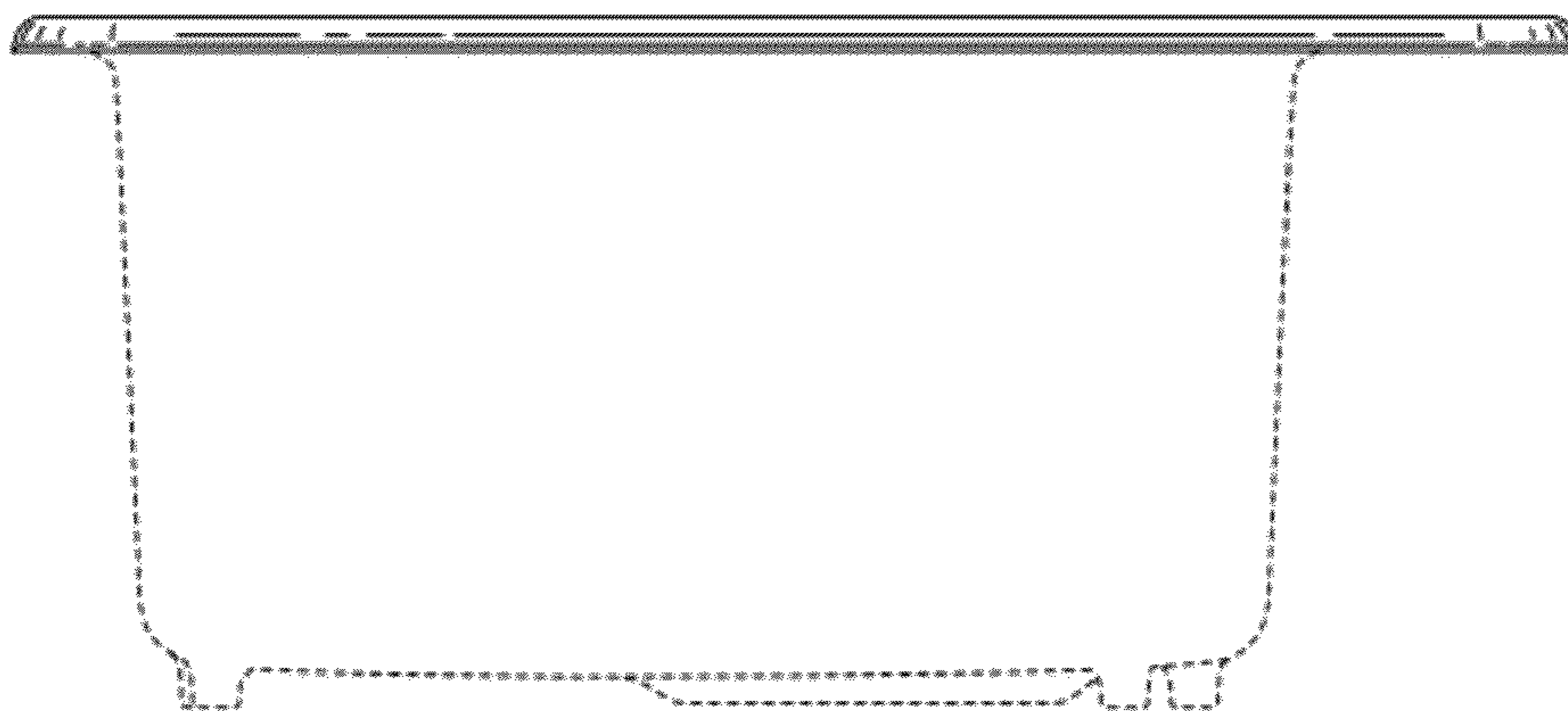


FIG. 4

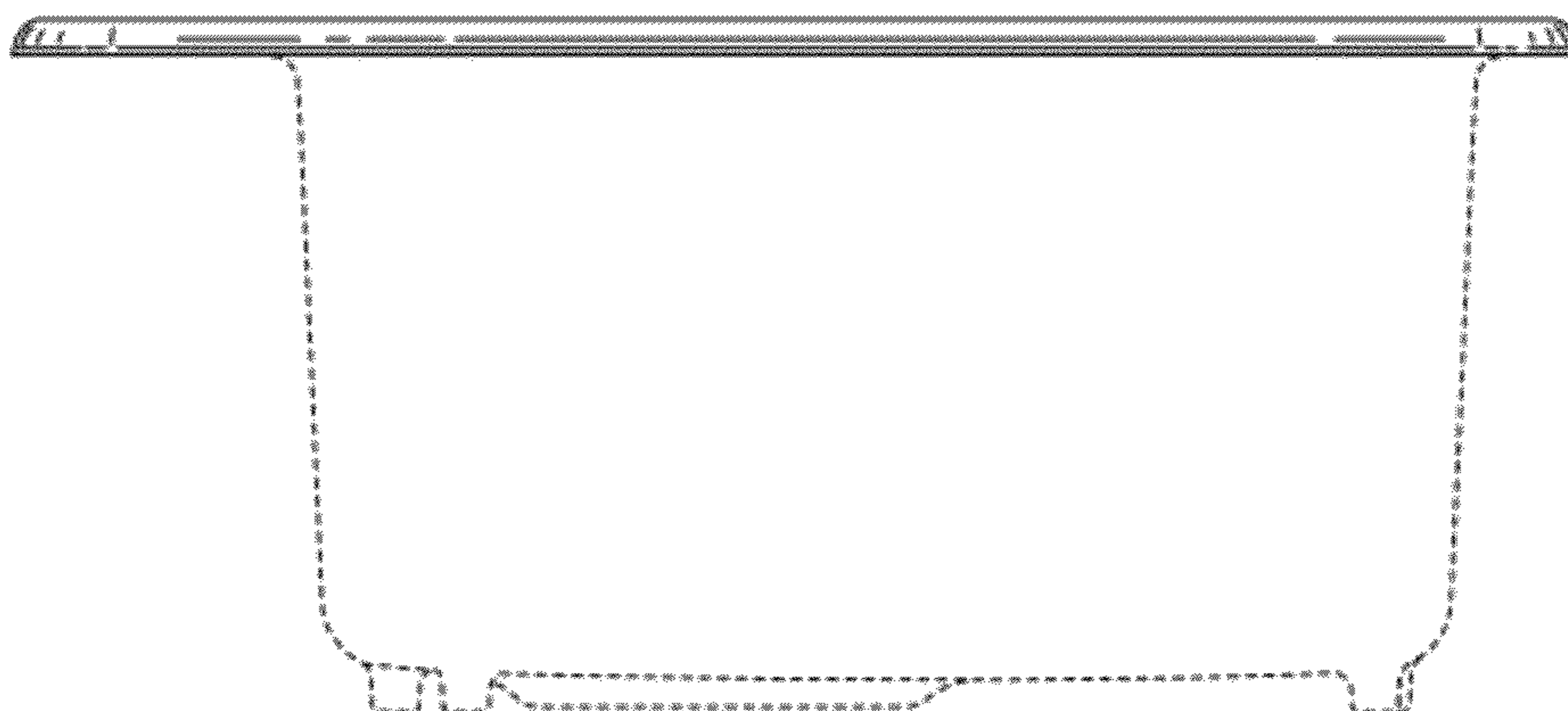


FIG. 5

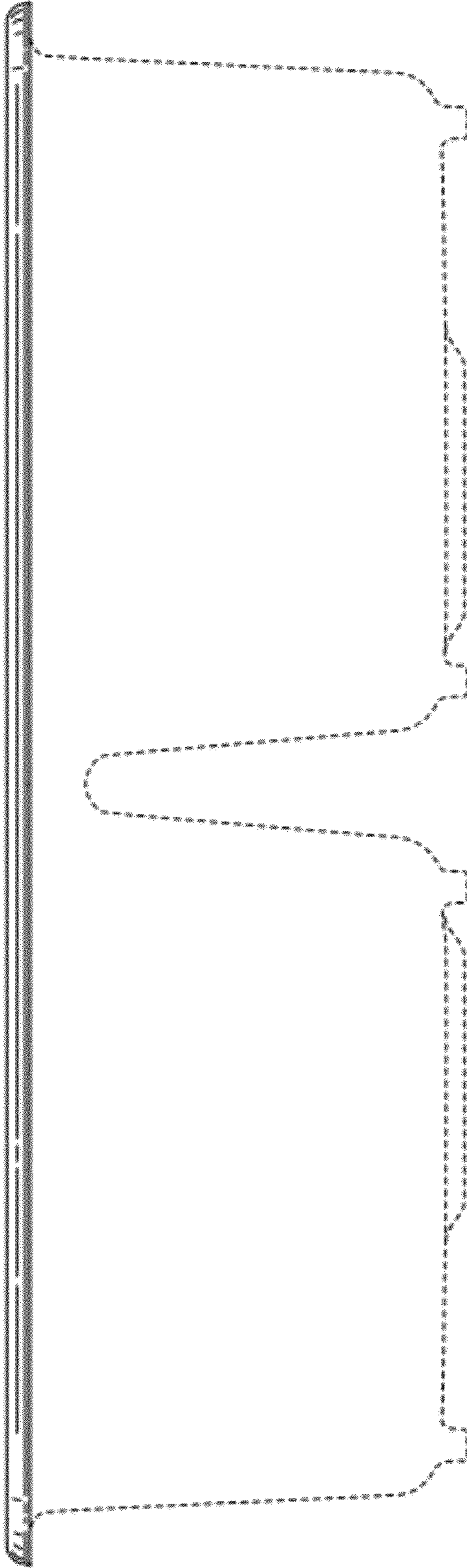


FIG. 6

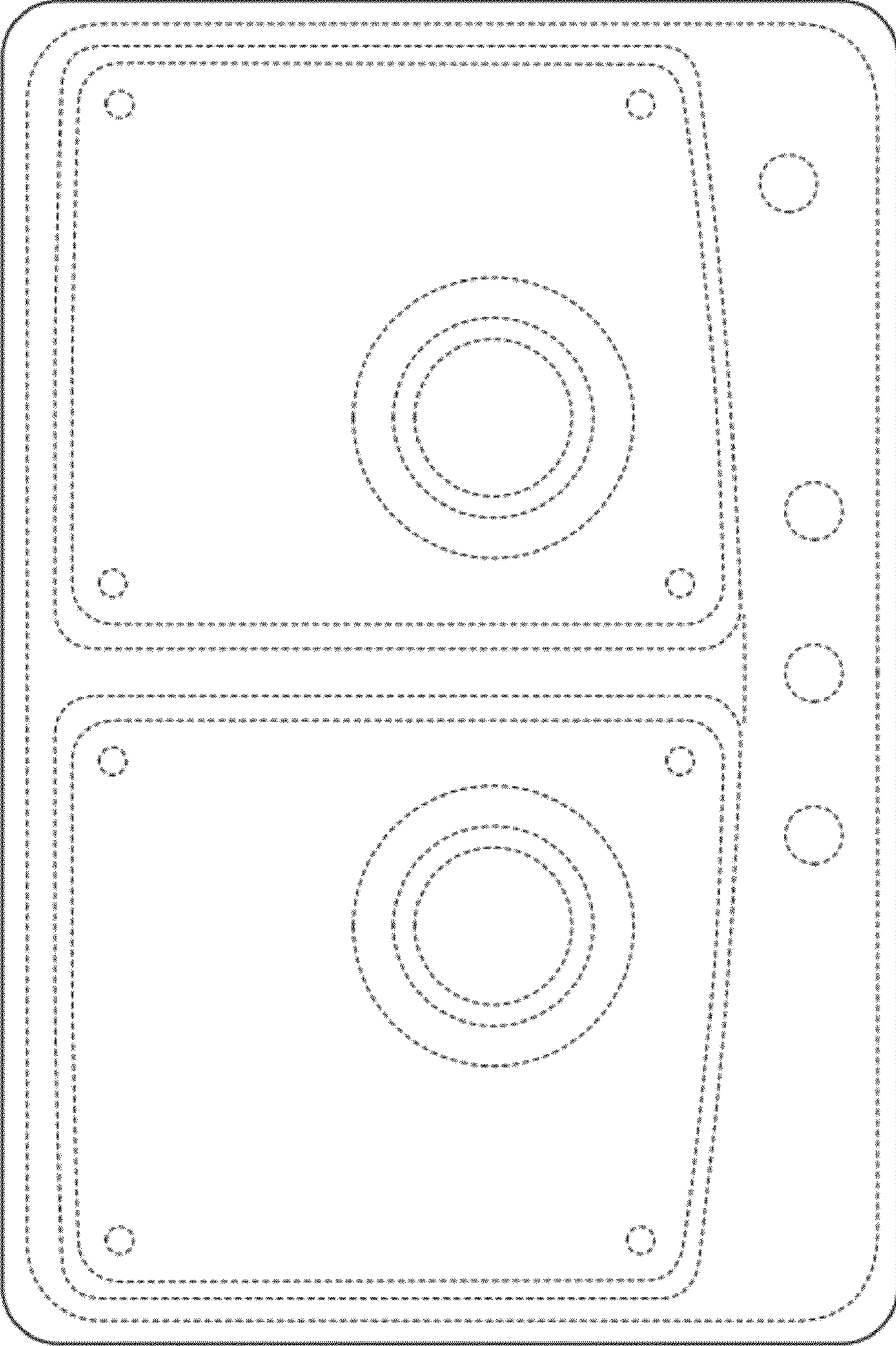


FIG. 7