



US00D659809S

(12) **United States Design Patent**  
**Smith**

(10) **Patent No.:** **US D659,809 S**

(45) **Date of Patent:** **\*\* May 15, 2012**

(54) **SINK TRAP**

(76) Inventor: **William L. Smith**, Mishawaka, IN (US)

(\*\*) Term: **14 Years**

(21) Appl. No.: **29/353,661**

(22) Filed: **Jan. 12, 2010**

(51) **LOC (9) Cl.** ..... **23-01**

(52) **U.S. Cl.** ..... **D23/268**

(58) **Field of Classification Search** ..... D23/259–269;  
137/247.49, 247.51, 247.41, 247.47; D4/131;  
4/286, 652; 285/360–361, 376, 396, 401–402  
See application file for complete search history.

(56) **References Cited**

**U.S. PATENT DOCUMENTS**

D18,981 S *	4/1889	Graham	.....	D23/268
D21,873 S *	9/1892	Montgomery	.....	D23/268
D28,268 S *	2/1898	Moore	.....	D23/268
712,759 A *	11/1902	Breen	.....	137/68.19
1,301,687 A *	4/1919	Grosvold	.....	137/247.51
3,994,031 A *	11/1976	Bishop	.....	4/679
4,031,914 A *	6/1977	Neri	.....	137/247.51
D295,780 S *	5/1988	Thomas	.....	D23/268
5,267,361 A *	12/1993	Lai	.....	4/679
D346,646 S *	5/1994	Doyle	.....	D23/268
D351,899 S *	10/1994	Isber	.....	D23/268
D386,569 S *	11/1997	Trueb et al.	.....	D23/268

D531,285 S *	10/2006	Williams	.....	D23/268
D549,805 S *	8/2007	Quach	.....	D23/268
D580,530 S *	11/2008	McAlpine	.....	D23/268

\* cited by examiner

*Primary Examiner* — T. Chase Nelson

*Assistant Examiner* — Eric Goodman

(74) *Attorney, Agent, or Firm* — Botkin & Hall, L

(57) **CLAIM**

The ornamental design for a sink trap, as shown and described.

**DESCRIPTION**

FIG. 1 is a side perspective view of a sink trap showing my new design;

FIG. 2 is a top plan view thereof;

FIG. 3 is a side elevational view thereof as seen from the back of my design, as depicted in FIG. 1, the opposite side elevational view being essentially a mirror image;

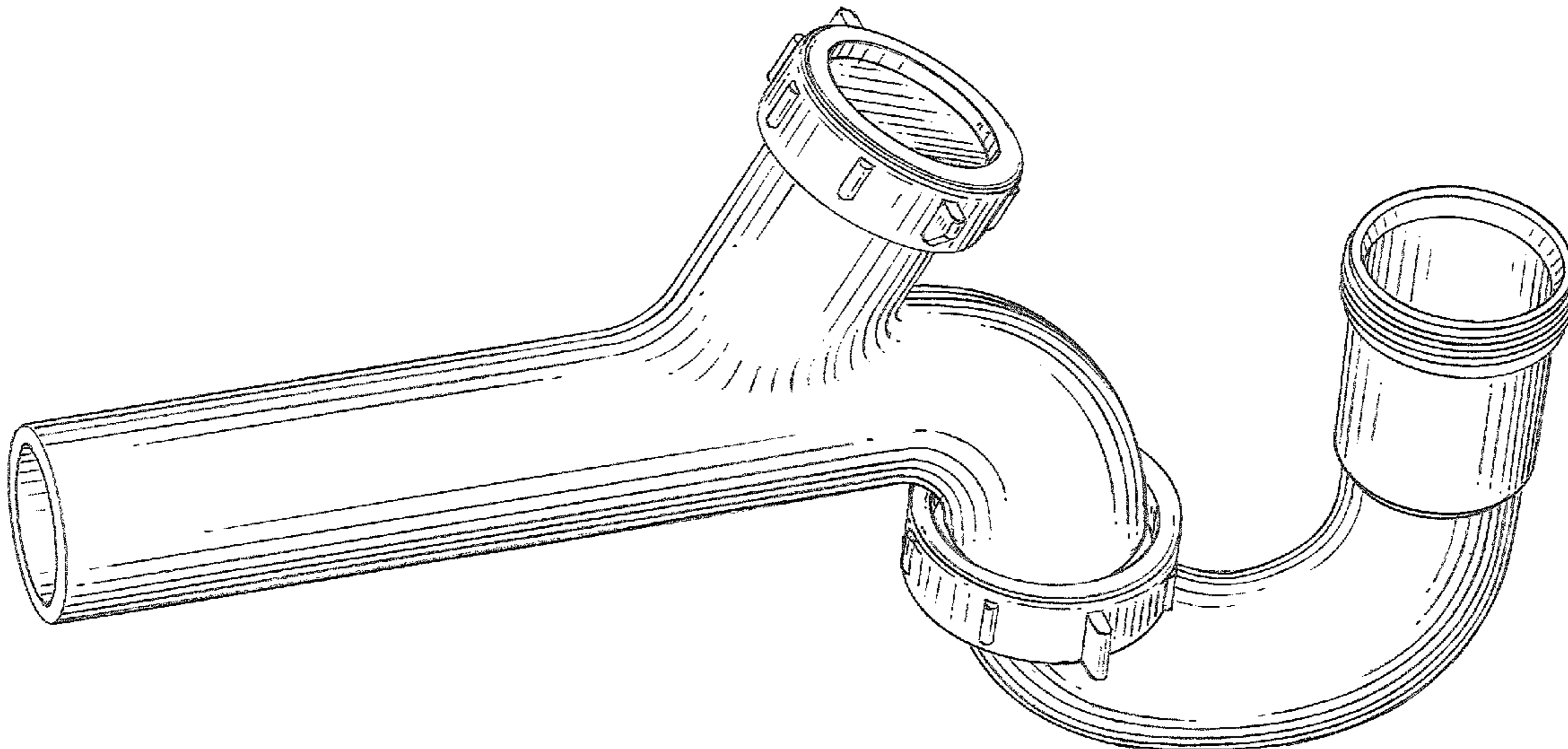
FIG. 4 is a bottom view thereof;

FIG. 5 is an end view thereof as seen from the left side of FIG. 3; and,

FIG. 6 is an end view thereof as seen from the right side of FIG. 3.

In FIGS. 2 and 6 the broken lines shown therein illustrate portions of the article and form no part of the claimed design.

**1 Claim, 3 Drawing Sheets**



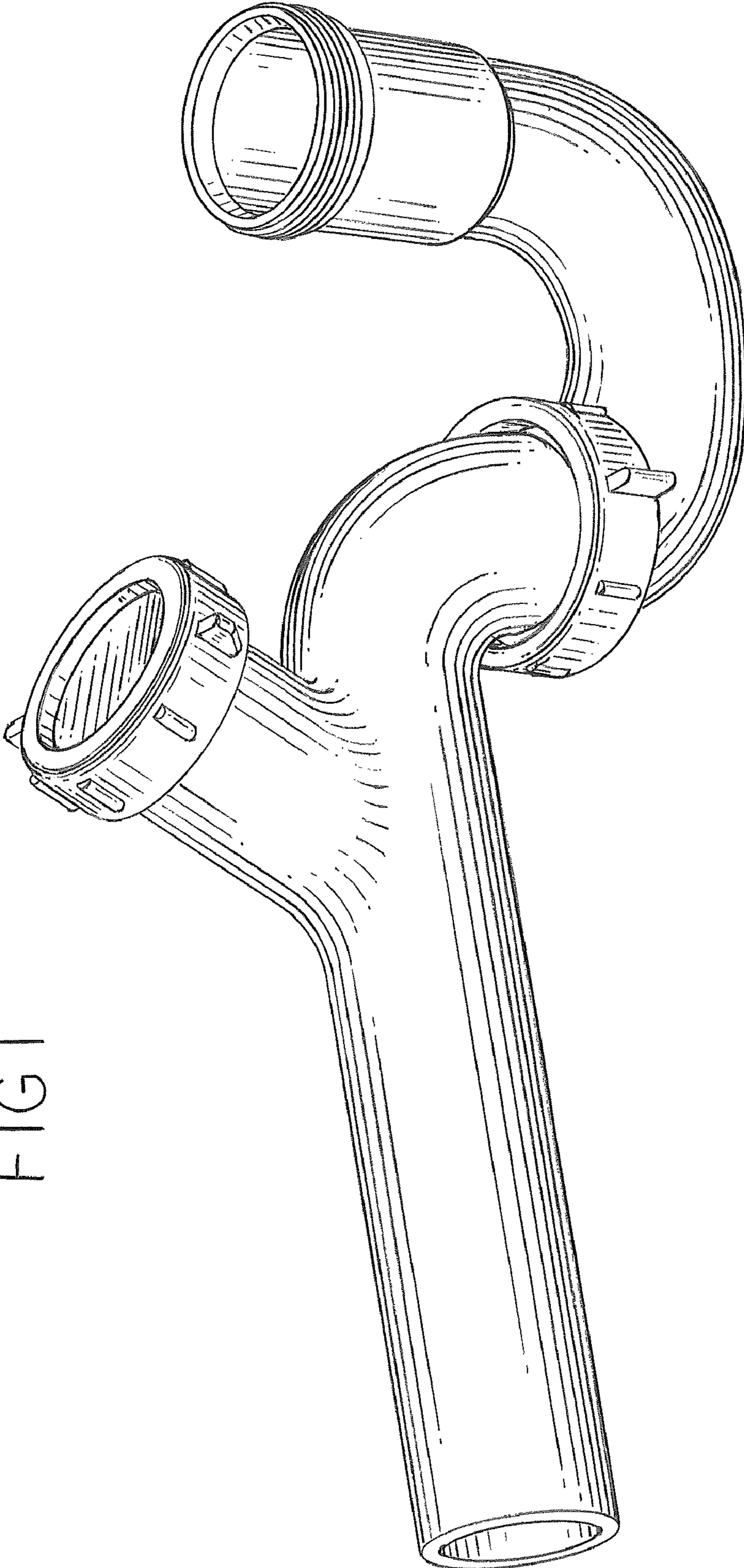


FIG 1

FIG. 2

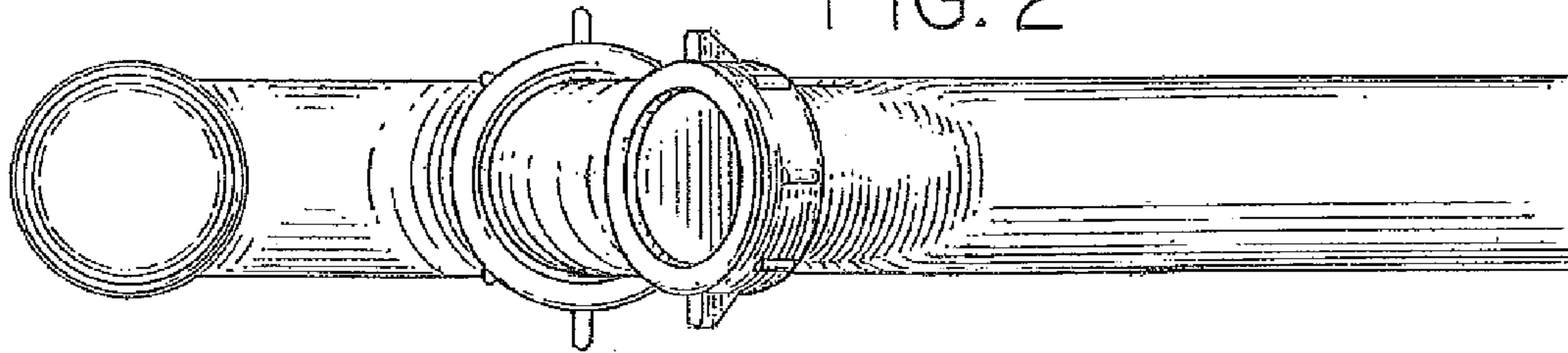


FIG. 3

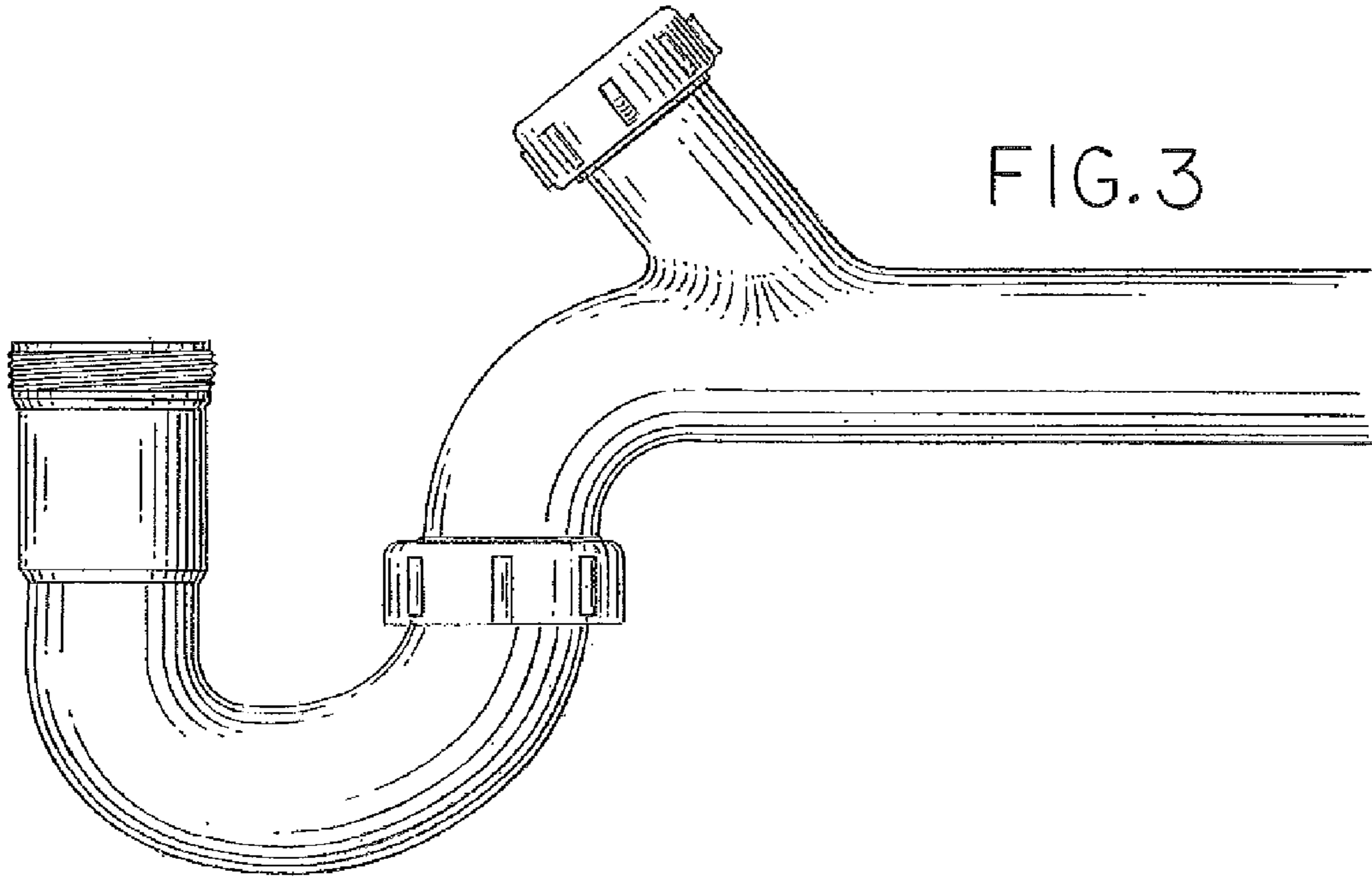


FIG. 4

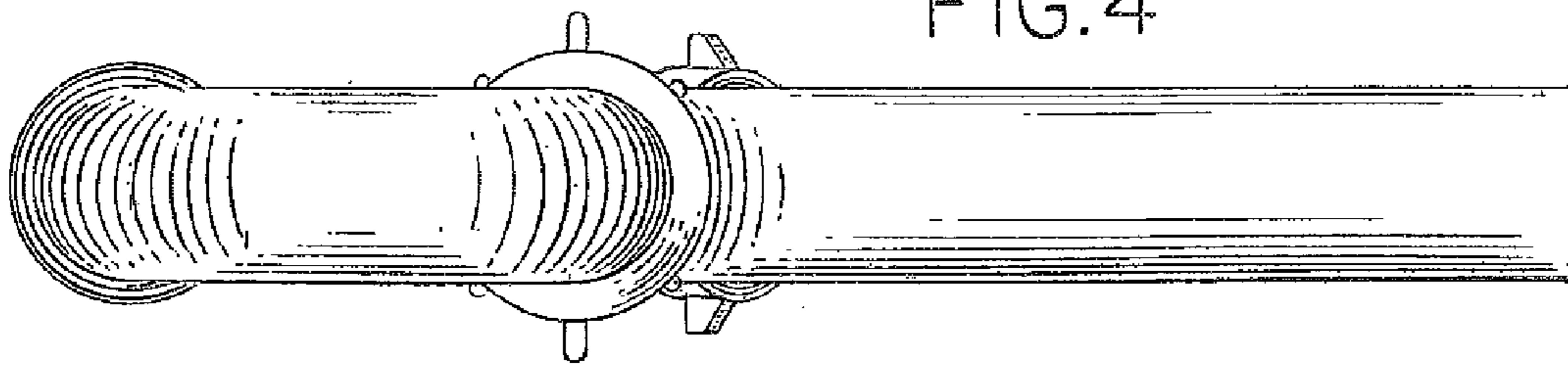




FIG 5

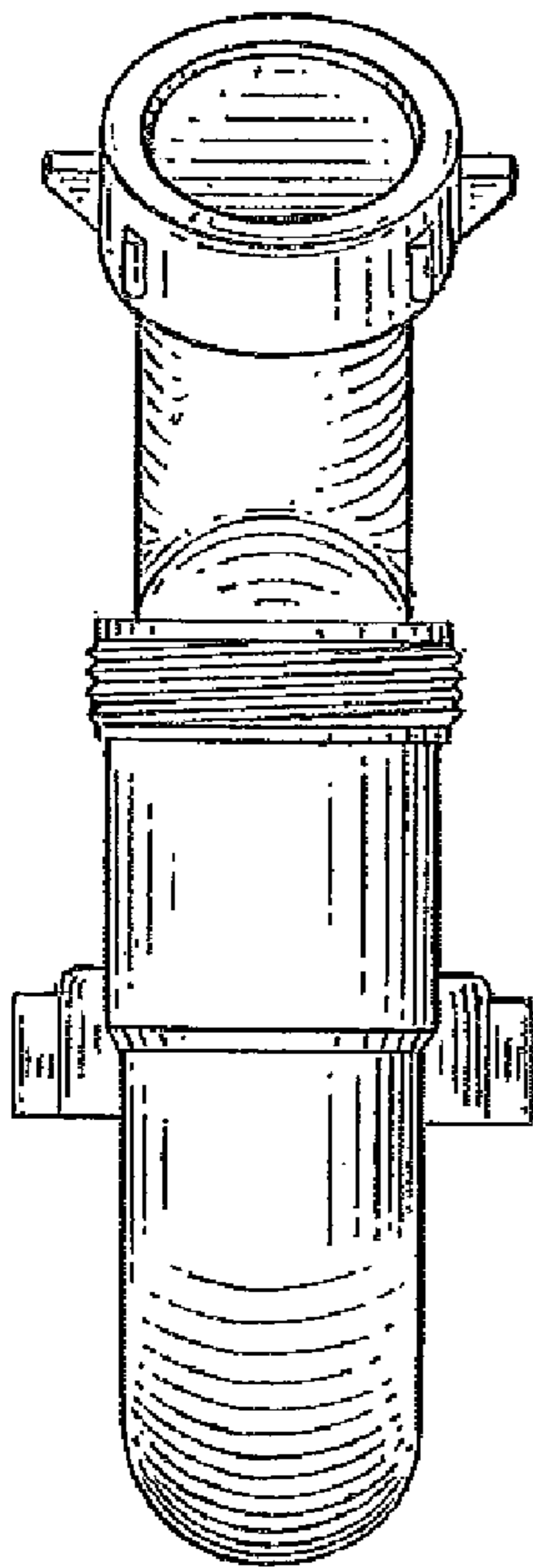


FIG 6

