



US00D659808S

(12) **United States Design Patent**
Zeyfang

(10) **Patent No.:** **US D659,808 S**

(45) **Date of Patent:** **** May 15, 2012**

(54) **FLANGE PROTECTOR**

(75) Inventor: **Rederick W. Zeyfang**, Erie, PA (US)

(73) Assignee: **Protective Industries, Inc.**, Buffalo, NY (US)

(**) Term: **14 Years**

(21) Appl. No.: **29/347,817**

(22) Filed: **Jun. 14, 2010**

(51) **LOC (9) Cl.** **23-01**

(52) **U.S. Cl.** **D23/260**

(58) **Field of Classification Search** D23/260–261;
239/201, 458; 285/239, 458; 40/316; 138/89,
138/109–110, 119, 134, 135; D8/397; D9/454
See application file for complete search history.

(56) **References Cited**

U.S. PATENT DOCUMENTS

D223,156 S *	3/1972	Campbell	D23/260
D252,156 S *	6/1979	Tabony et al.	D23/260
D351,220 S *	10/1994	Barnes	D23/260
D353,444 S *	12/1994	Merrett	D23/260

D359,451 S *	6/1995	Dees	D9/443
7,134,454 B2 *	11/2006	Montminy	138/89
D606,632 S *	12/2009	Price	D23/260
D606,633 S *	12/2009	Price	D23/260
D614,736 S *	4/2010	Freiler	D23/260

* cited by examiner

Primary Examiner — T. Chase Nelson

Assistant Examiner — Eric Goodman

(57) **CLAIM**

The ornamental design for a flange protector, as shown and described.

DESCRIPTION

FIG. 1 is a bottom perspective view of a flange protector showing my new design;

FIG. 2 is a top perspective view of the flange protector of FIG. 1;

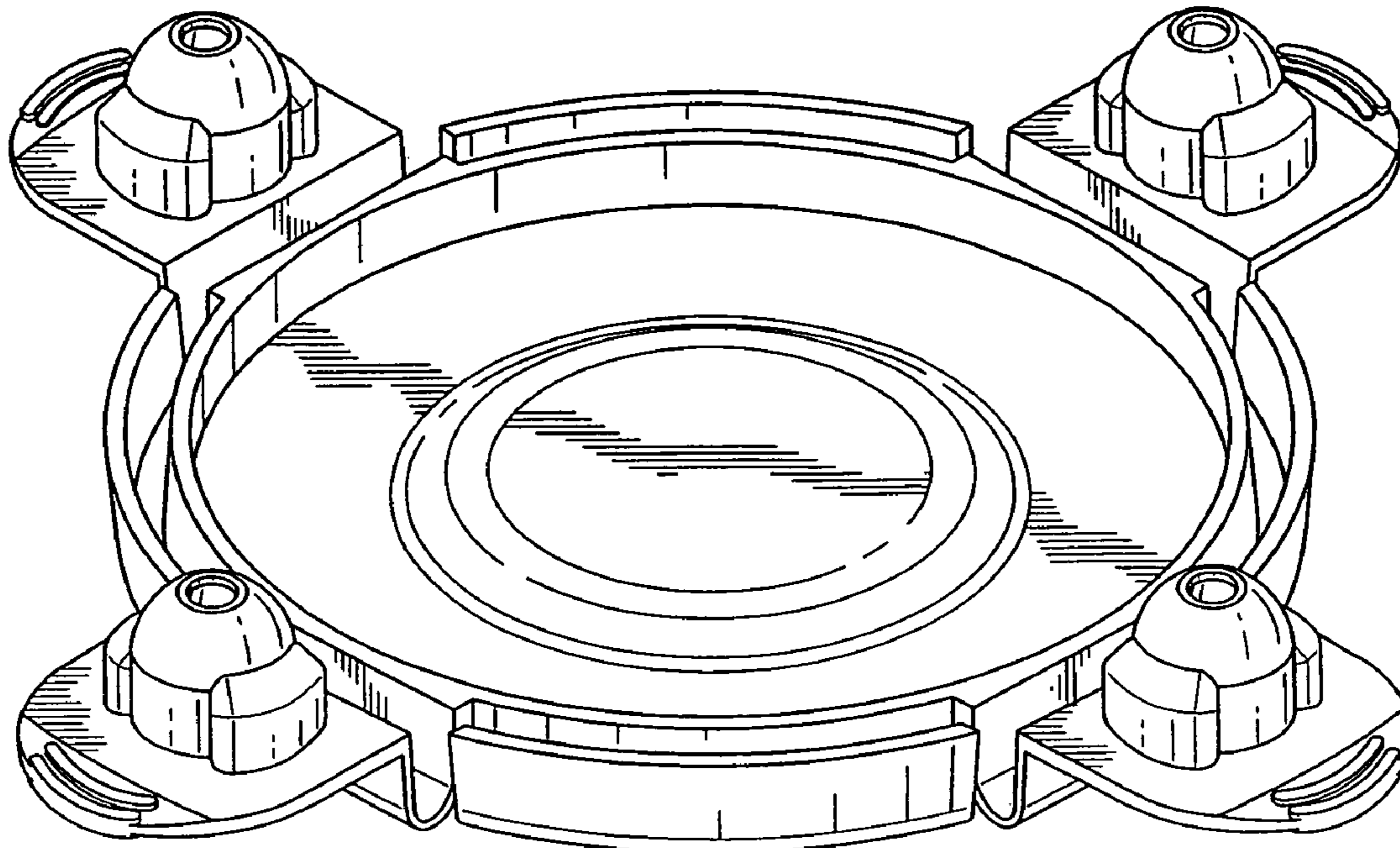
FIG. 3 is a bottom view of the flange protector of FIG. 1;

FIG. 4 is a top view of the flange protector of FIG. 1;

FIG. 5 is a side view of the flange protector of FIG. 1; and,

FIG. 6 is a side view of the flange protector of FIG. 1, rotated 90 degrees.

1 Claim, 3 Drawing Sheets



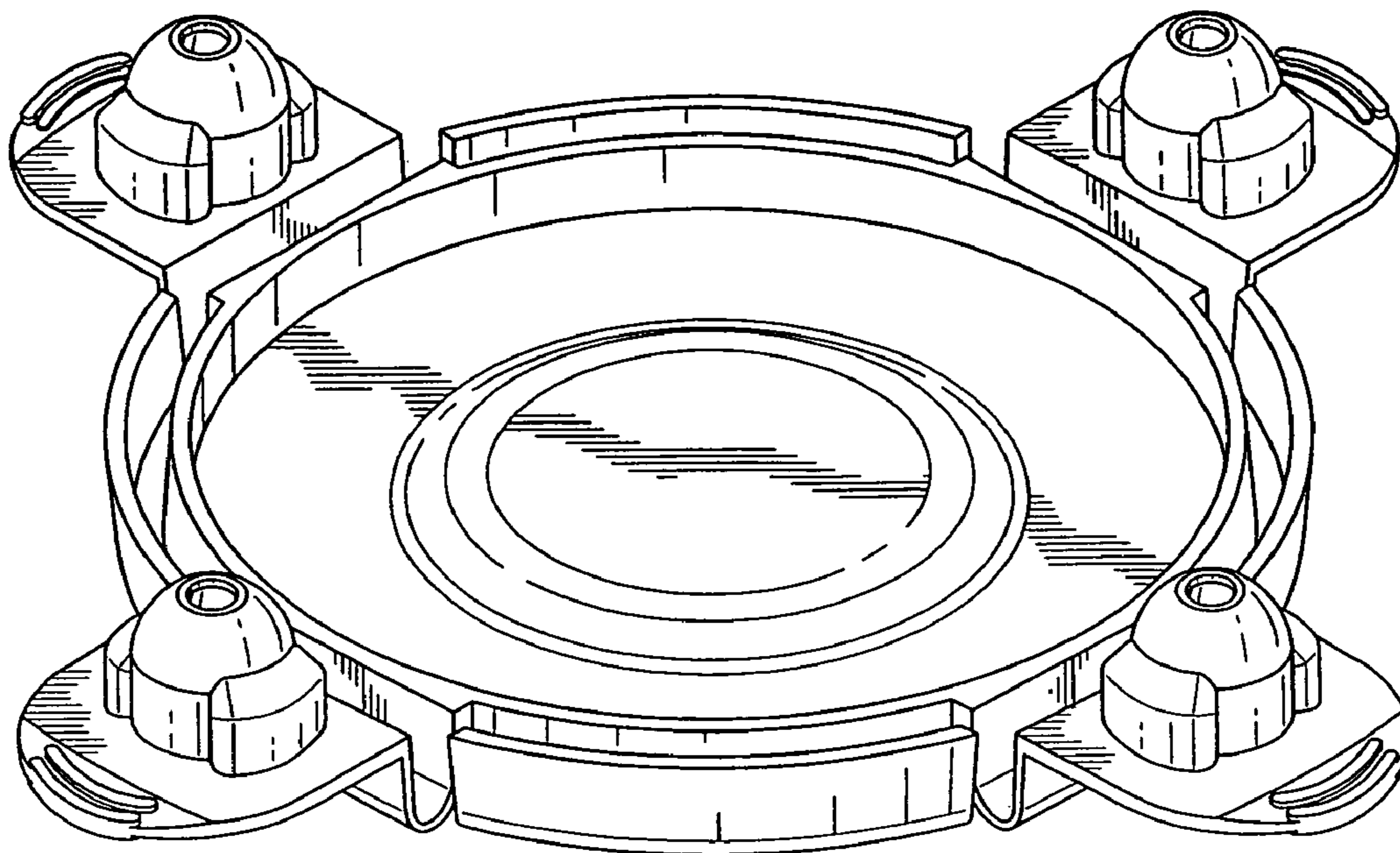


FIG. 1

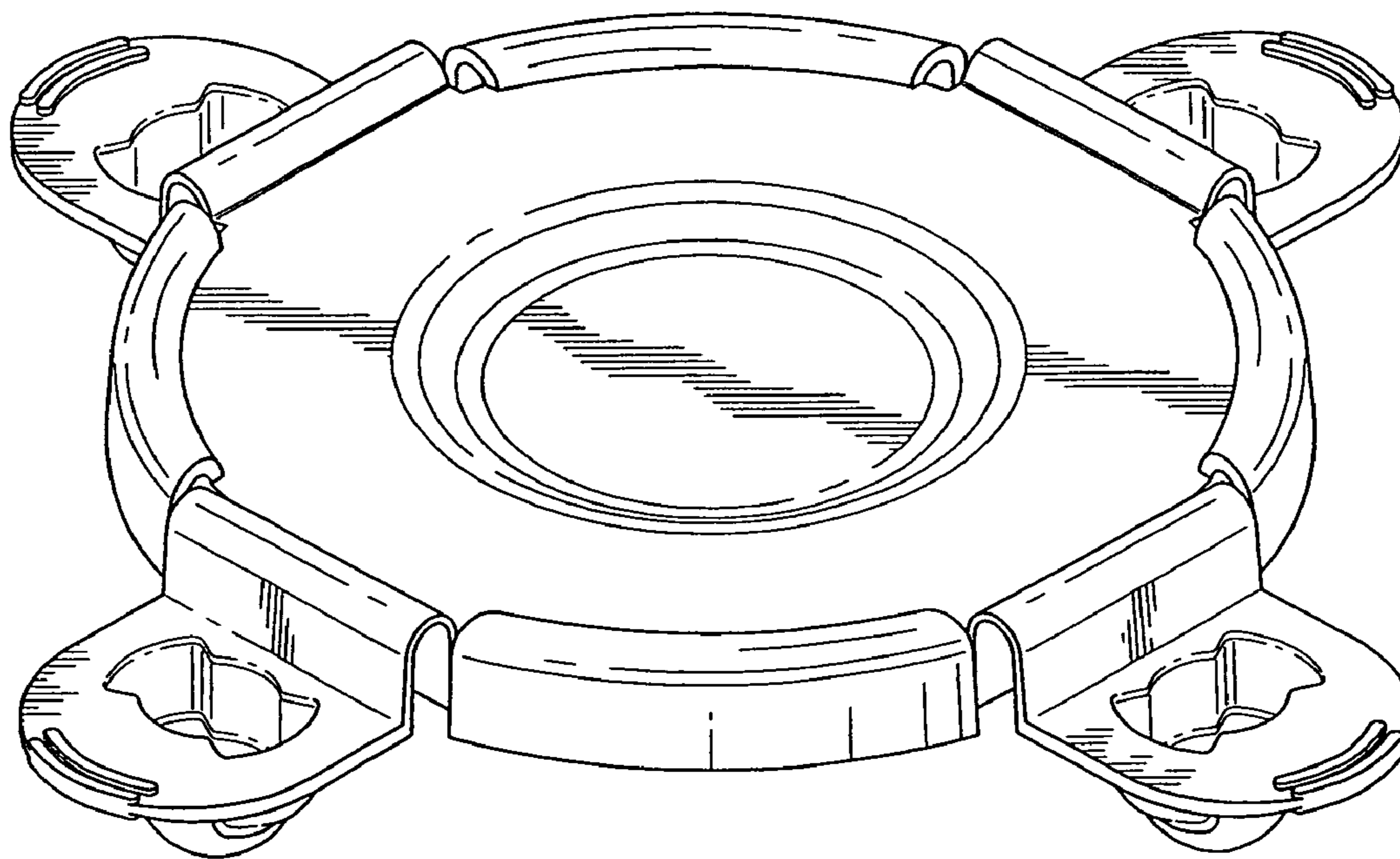


FIG. 2

FIG. 3

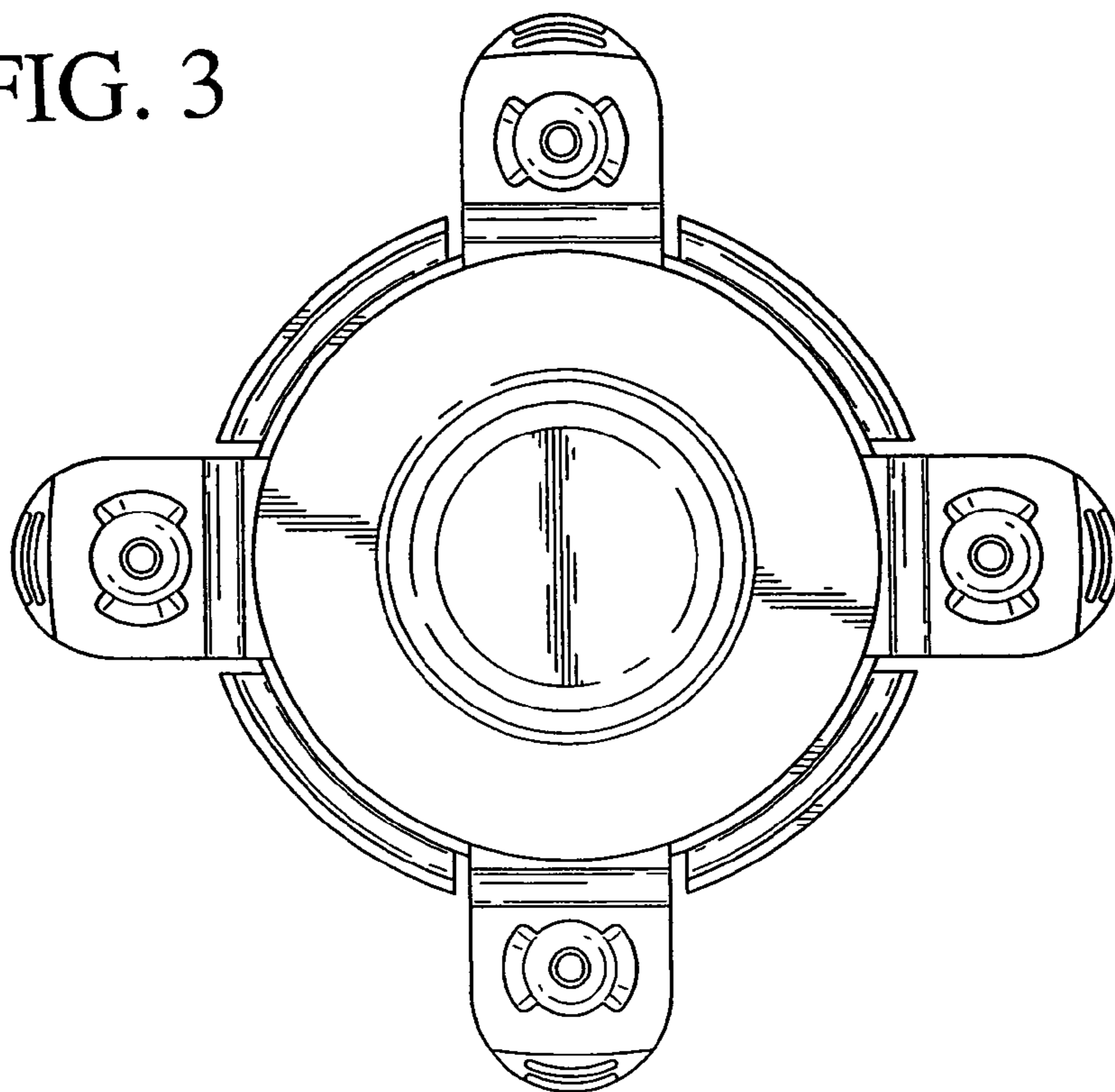
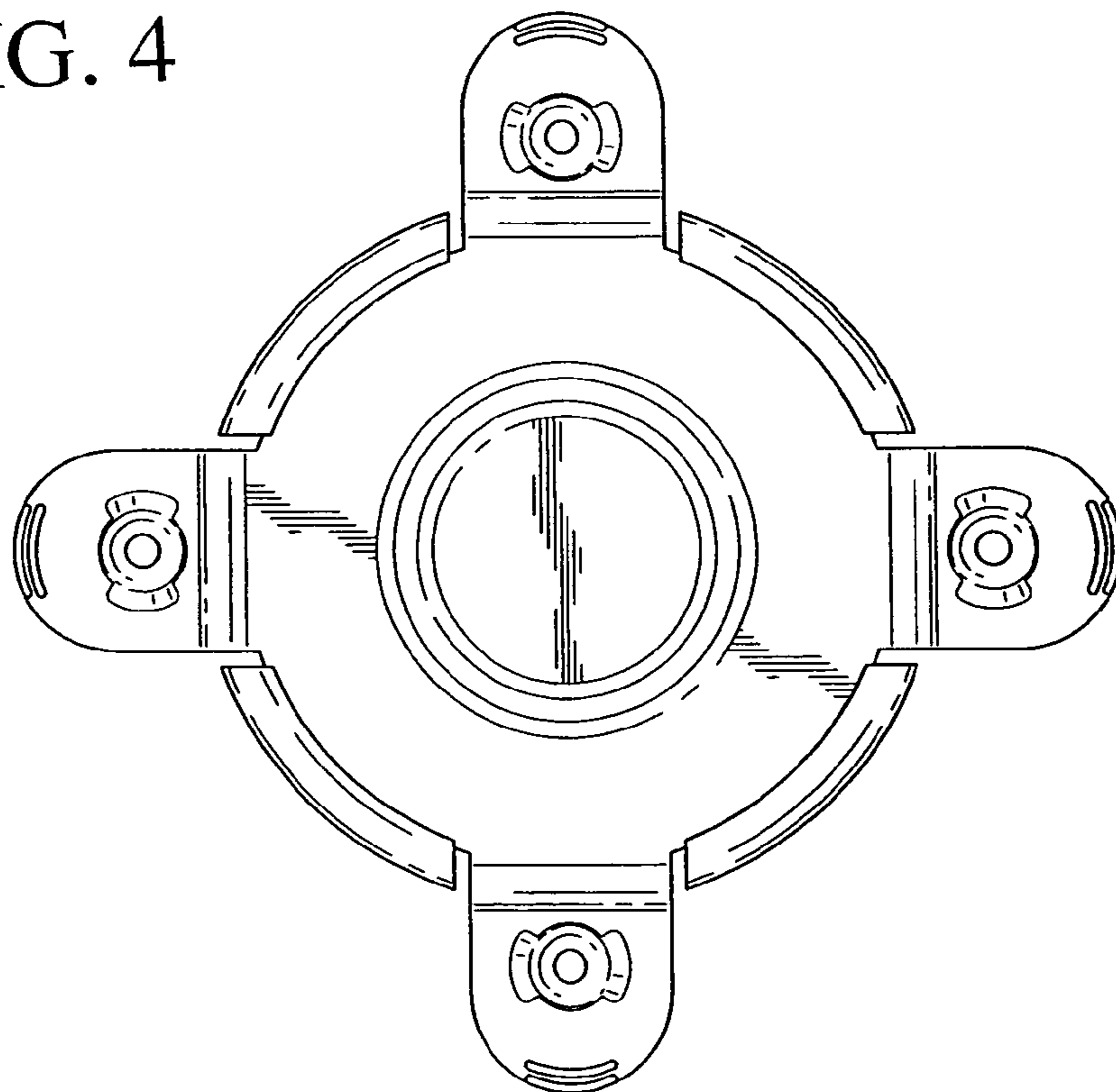


FIG. 4



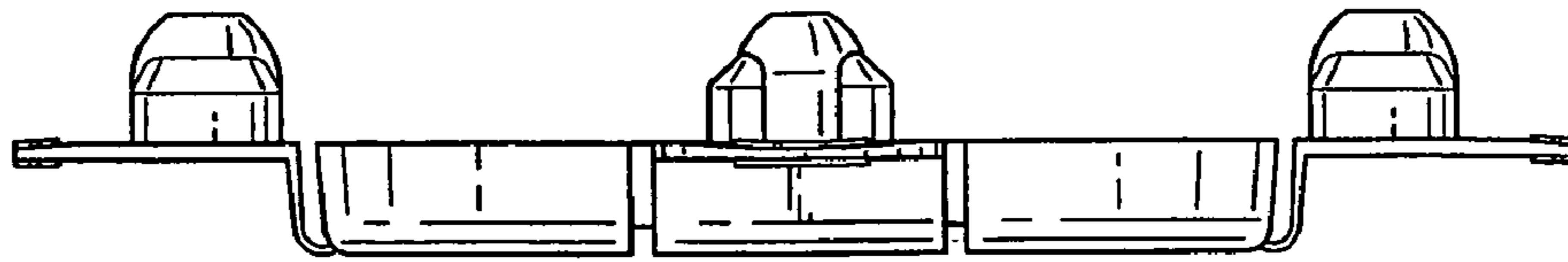


FIG. 5

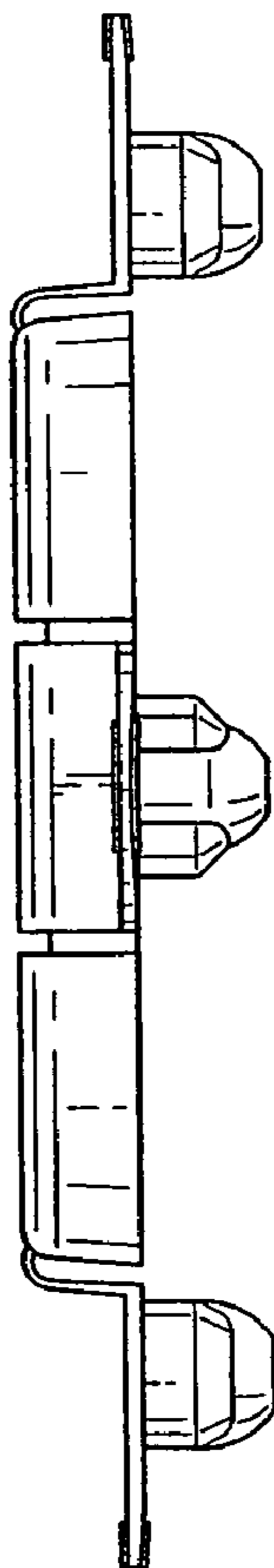


FIG. 6