



US00D659806S

(12) **United States Design Patent**  
**Padgett**

(10) **Patent No.:** **US D659,806 S**

(45) **Date of Patent:** **\*\* May 15, 2012**

(54) **FAUCET SPOUT**

(75) Inventor: **Alex Padgett**, Atlanta, GA (US)

(73) Assignee: **Masco Corporation of Indiana**,  
Indianapolis, IN (US)

(\*\*) Term: **14 Years**

(21) Appl. No.: **29/400,618**

(22) Filed: **Aug. 31, 2011**

(51) **LOC (9) Cl.** ..... **23-01**

(52) **U.S. Cl.** ..... **D23/255; D23/254**

(58) **Field of Classification Search** ..... D23/238,  
D23/241-24, 255, 257; 4/675-678; 137/801  
See application file for complete search history.

(56) **References Cited**

**U.S. PATENT DOCUMENTS**

D522,105 S *	5/2006	Fritz	.....	D23/255
D527,079 S *	8/2006	Yoshioka	.....	D23/255
D578,614 S *	10/2008	Fritz et al.	.....	D23/241

\* cited by examiner

*Primary Examiner* — Robert Delehanty

(74) *Attorney, Agent, or Firm* — Edgar A. Zarins; Nirav D. Parikh; Lora J. Graentzdoerffer

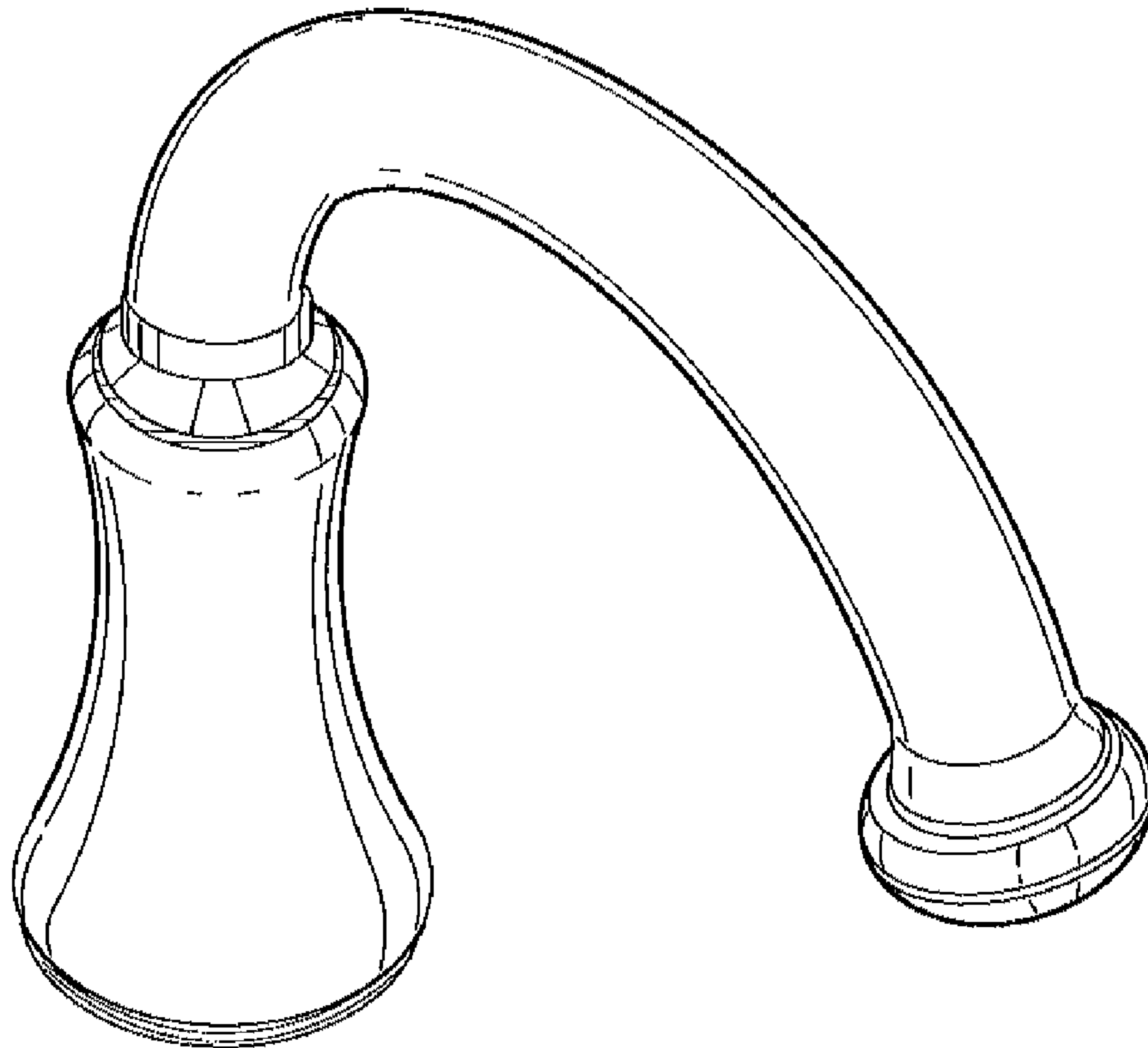
(57) **CLAIM**

The ornamental design for a faucet spout, as shown and described.

**DESCRIPTION**

FIG. 1 is a perspective view of a faucet spout showing my new design;  
FIG. 2 is a left side view thereof, the opposite side being a mirror image of the side shown;  
FIG. 3 is a top plan view thereof;  
FIG. 4 is a front view thereof; and,  
FIG. 5 is a rear view thereof.

**1 Claim, 2 Drawing Sheets**



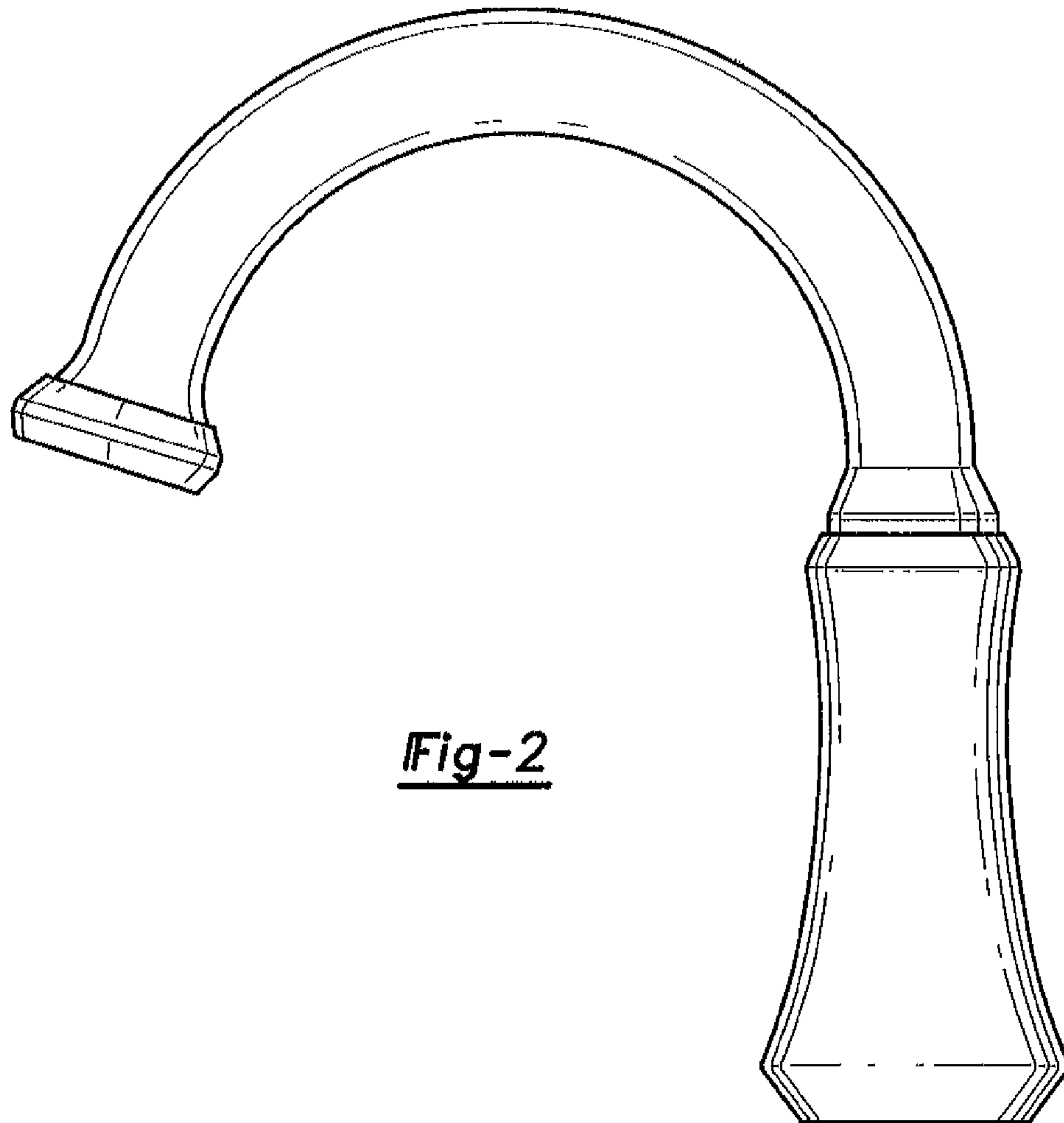
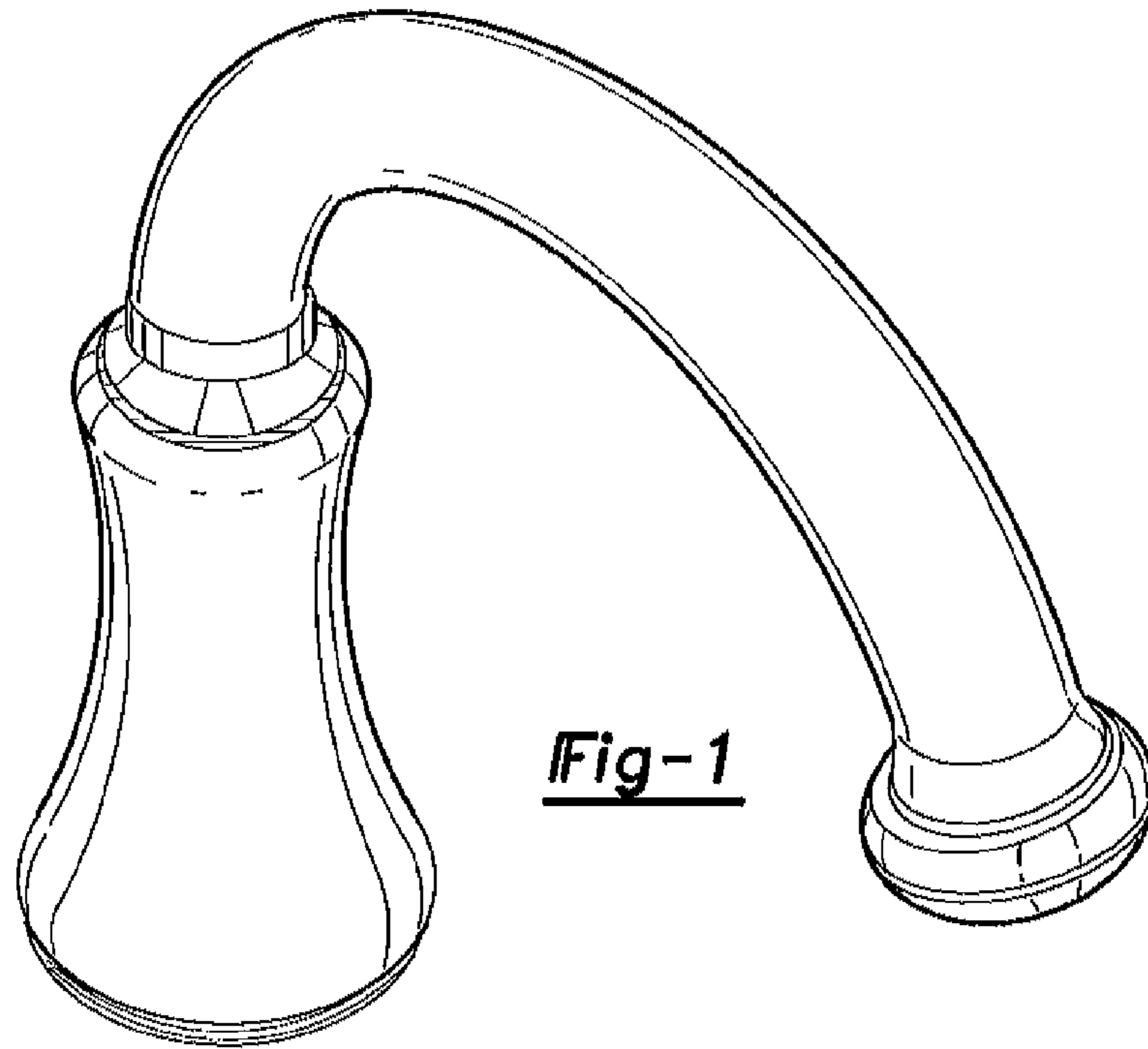


Fig-3

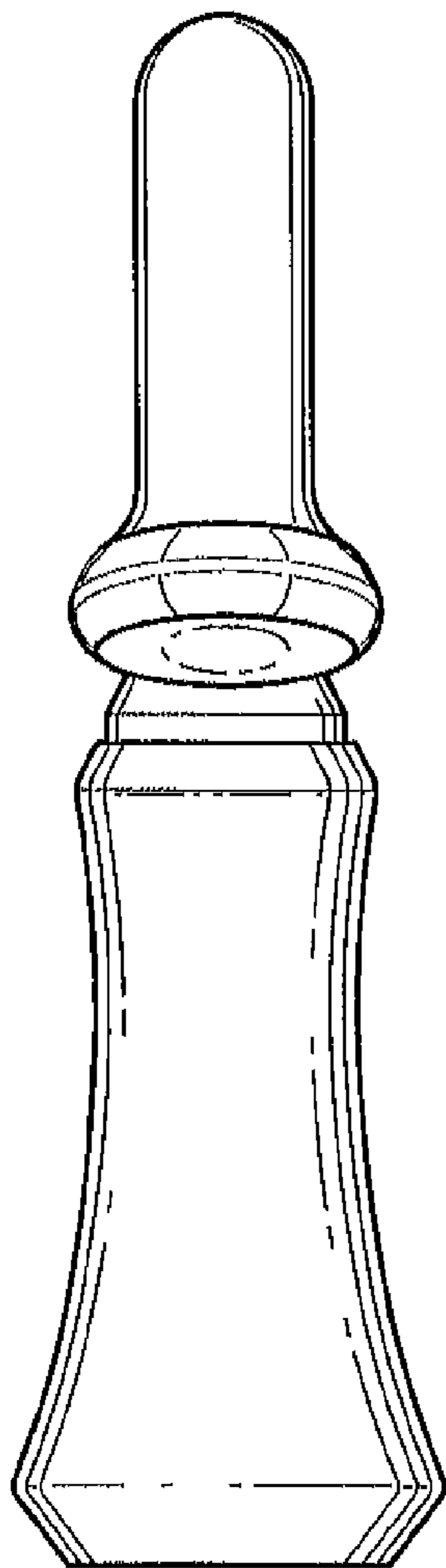
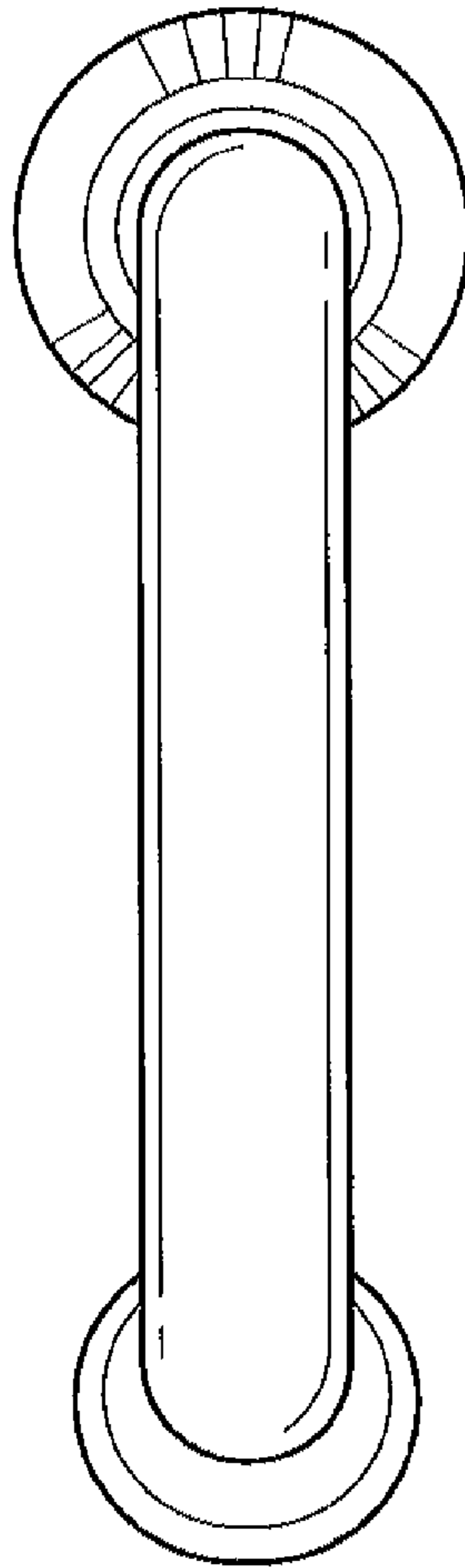


Fig-4

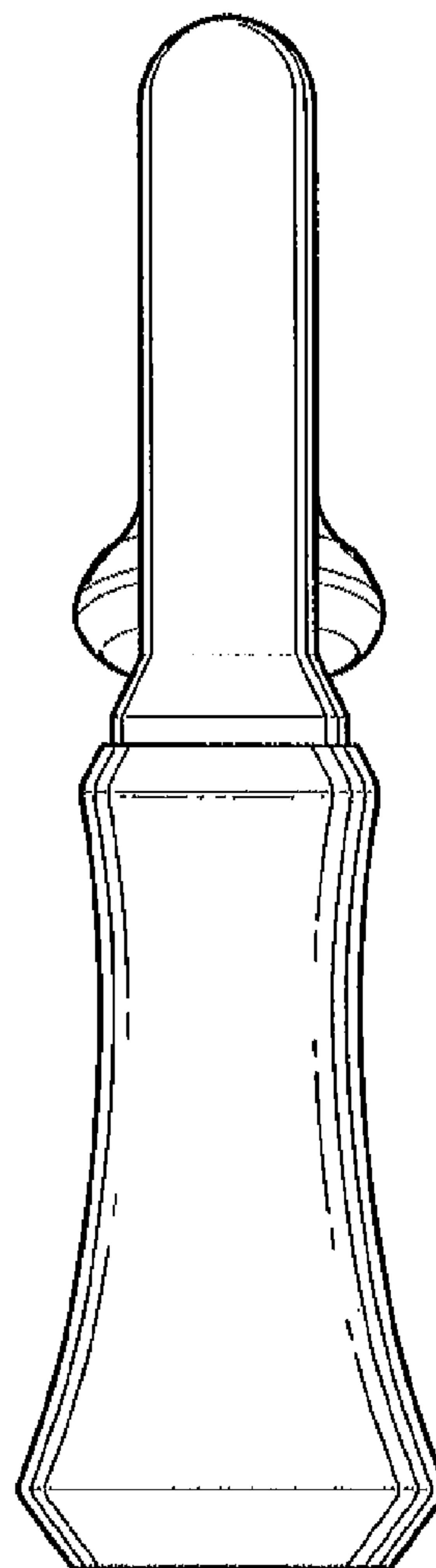


Fig-5