



US00D659802S

(12) **United States Design Patent**  
**McKeone**

(10) **Patent No.:** **US D659,802 S**

(45) **Date of Patent:** **\*\* May 15, 2012**

(54) **HANDLE AND ESCUTCHEON**

(75) Inventor: **William C. McKeone**, Sheboygan, WI  
(US)

(73) Assignee: **Kohler Co.**, Kohler, WI (US)

(\*\*) Term: **14 Years**

(21) Appl. No.: **29/406,227**

(22) Filed: **Nov. 10, 2011**

**Related U.S. Application Data**

(62) Division of application No. 29/376,997, filed on Oct. 15, 2010.

(30) **Foreign Application Priority Data**

Apr. 15, 2010 (EM) ..... 001208771

(51) **LOC (9) Cl.** ..... **23-02**

(52) **U.S. Cl.** ..... **D23/252**

(58) **Field of Classification Search** ..... D23/250,  
D23/252-254

See application file for complete search history.

(56) **References Cited**

U.S. PATENT DOCUMENTS

D363,765 S *	10/1995	Starck .....	D23/254
D442,263 S *	5/2001	Warshawsky et al. ....	D23/252
D474,671 S *	5/2003	Singtoroj et al. ....	D23/252
D523,525 S *	6/2006	Hoernig .....	D23/250
D531,276 S *	10/2006	Tsai .....	D23/254

\* cited by examiner

*Primary Examiner* — Robert Delehanty

(74) *Attorney, Agent, or Firm* — Foley & Lardner LLP

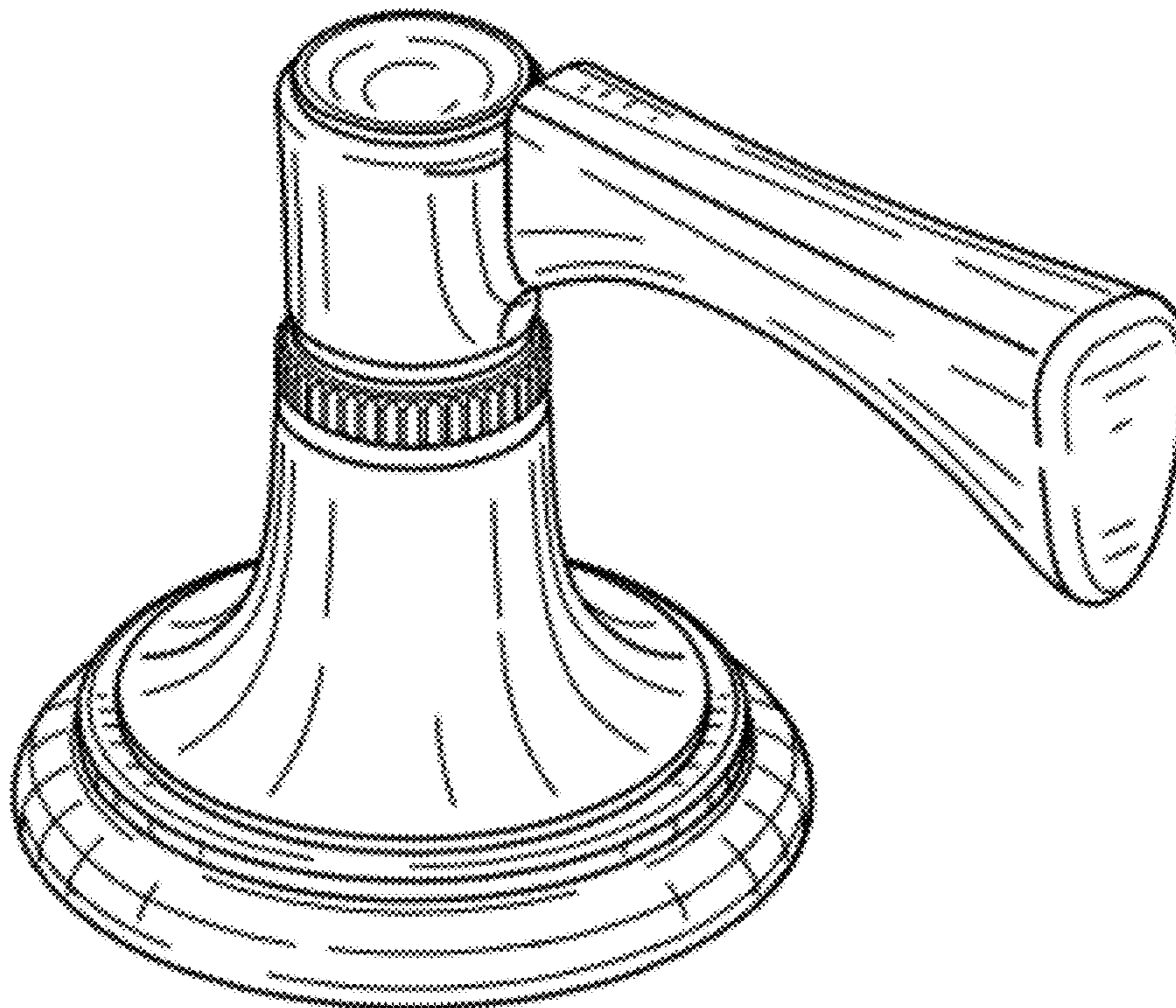
(57) **CLAIM**

I claim the ornamental design for a handle and escutcheon, as shown and described.

**DESCRIPTION**

FIG. 1 is a top, right, front perspective view of a handle embodying the new design;  
FIG. 2 is a front elevational view thereof;  
FIG. 3 is a rear elevational view thereof;  
FIG. 4 is a right elevational view thereof;  
FIG. 5 is a left elevational view thereof;  
FIG. 6 is a top plan view thereof; and,  
FIG. 7 is a bottom plan view thereof.  
The ornamental design which is claimed is shown in solid lines in the drawings. The broken lines in the drawings are for illustrative purposes only and form no part of the claimed design.

**1 Claim, 4 Drawing Sheets**



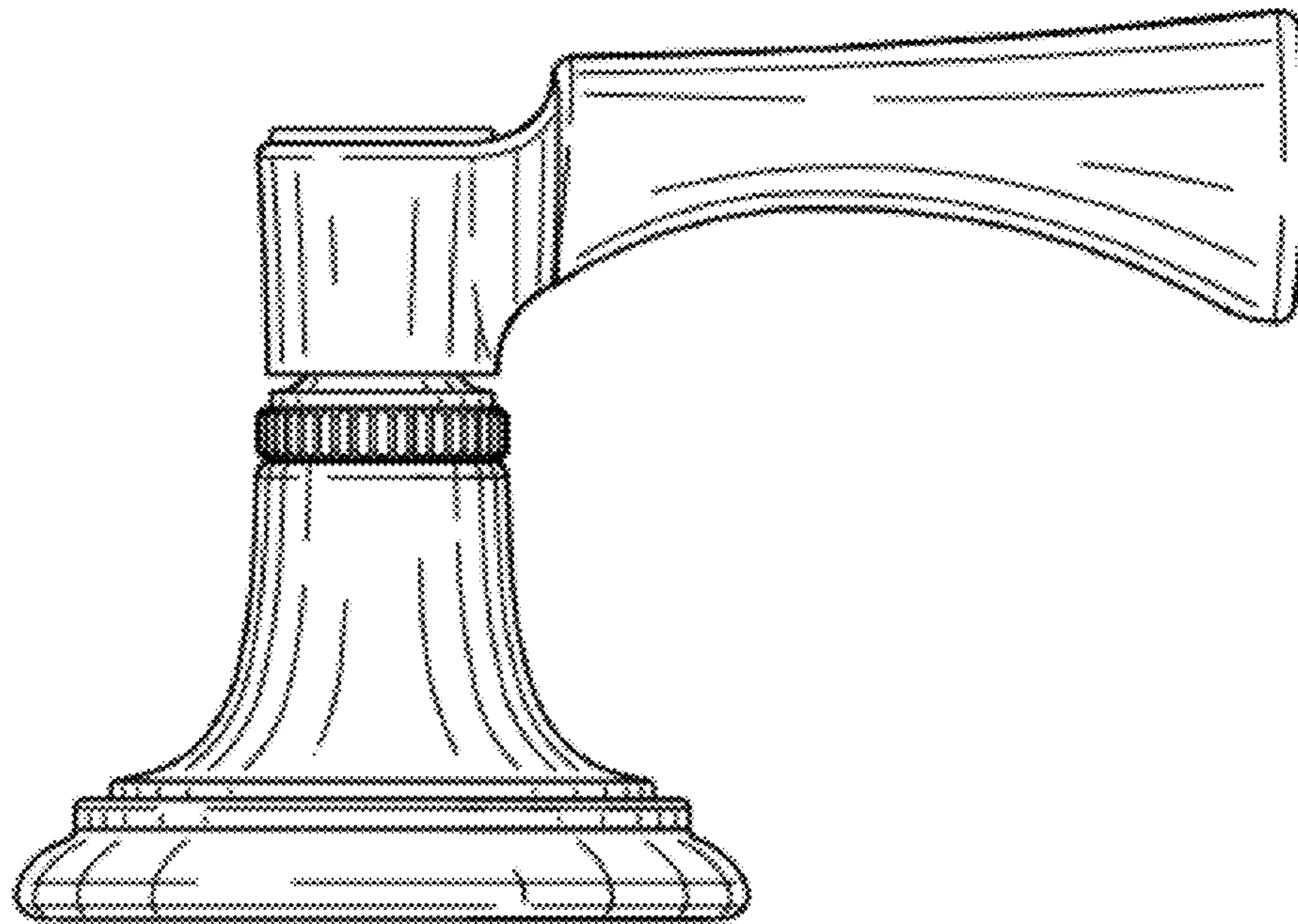
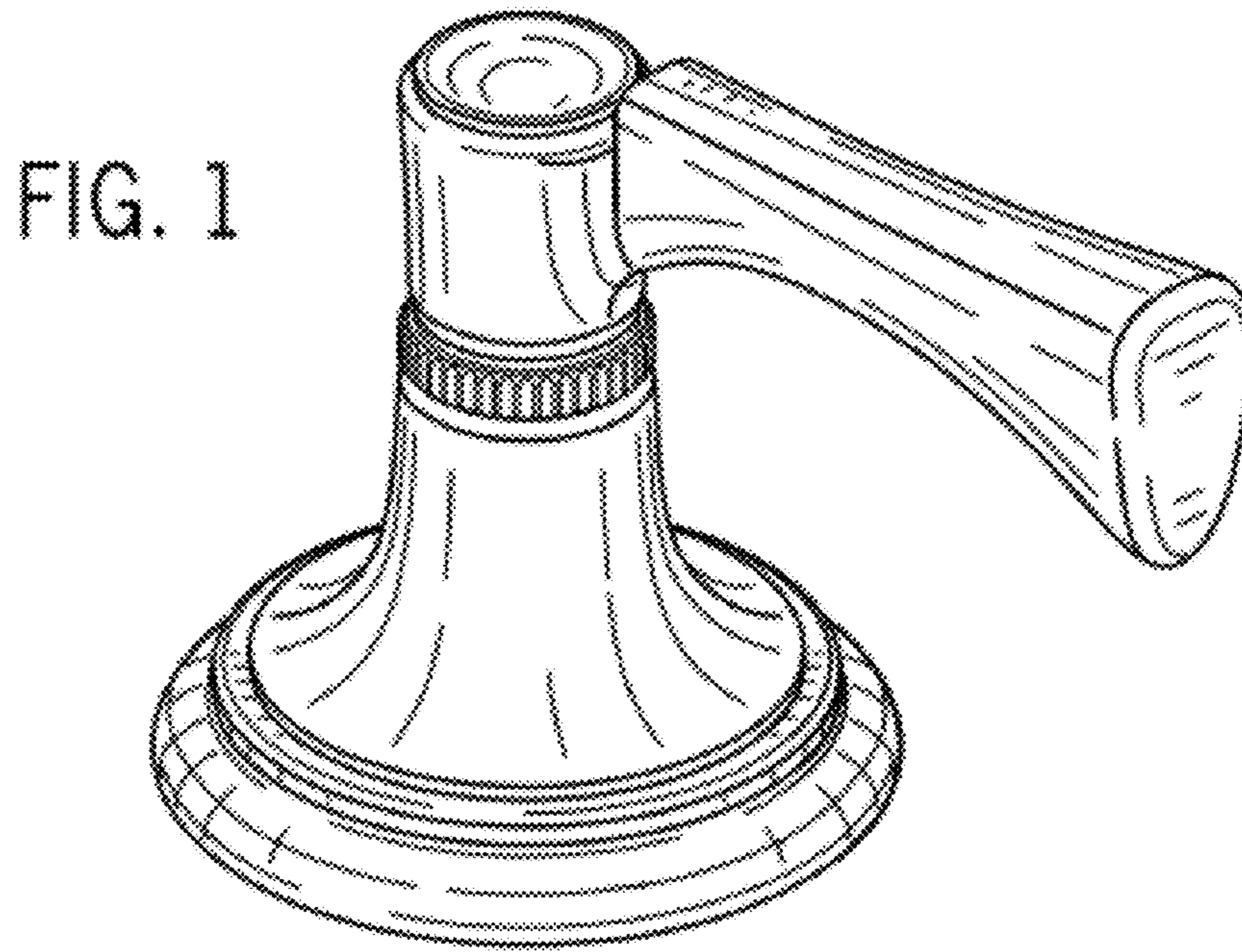


FIG. 2

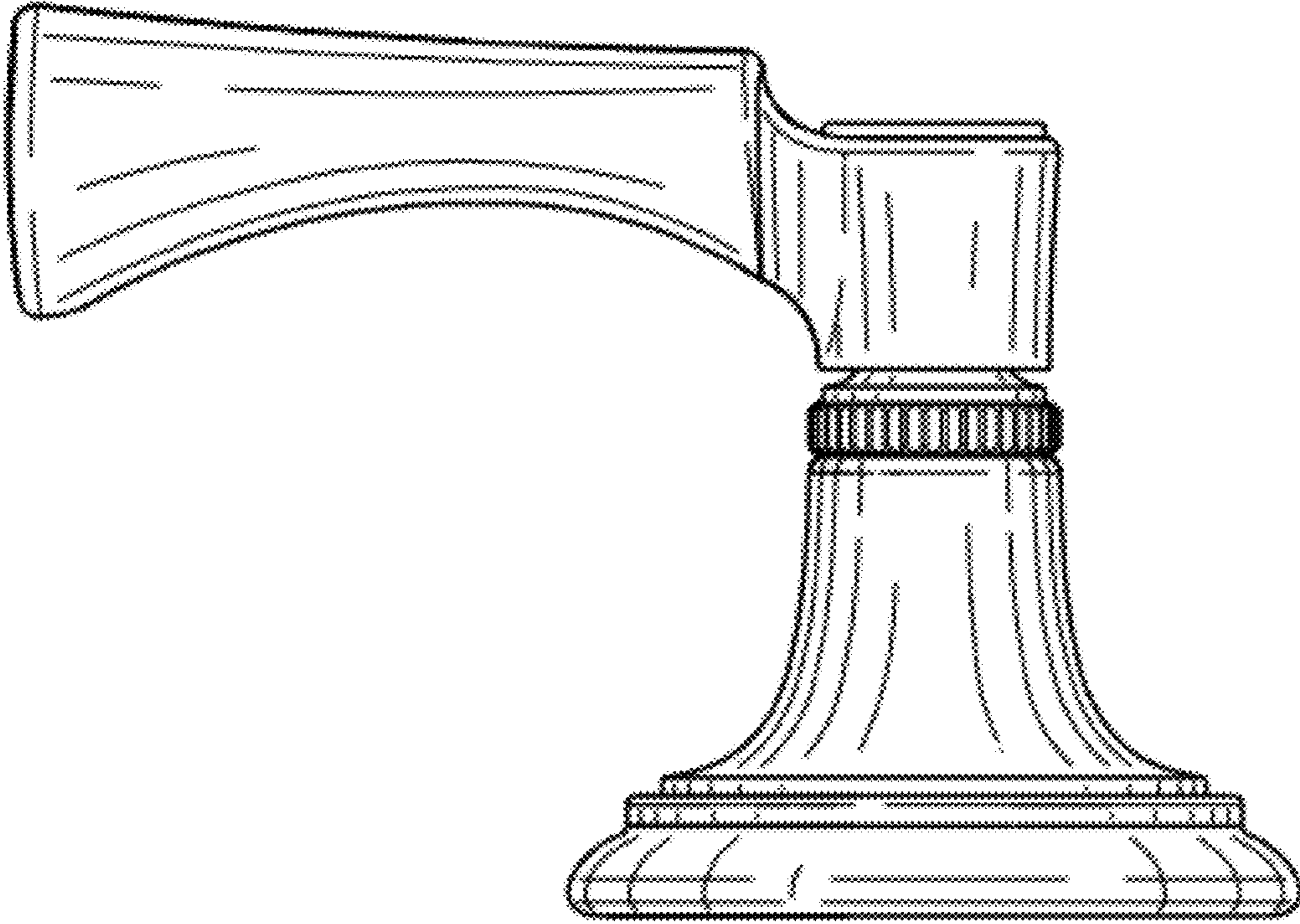


FIG. 3

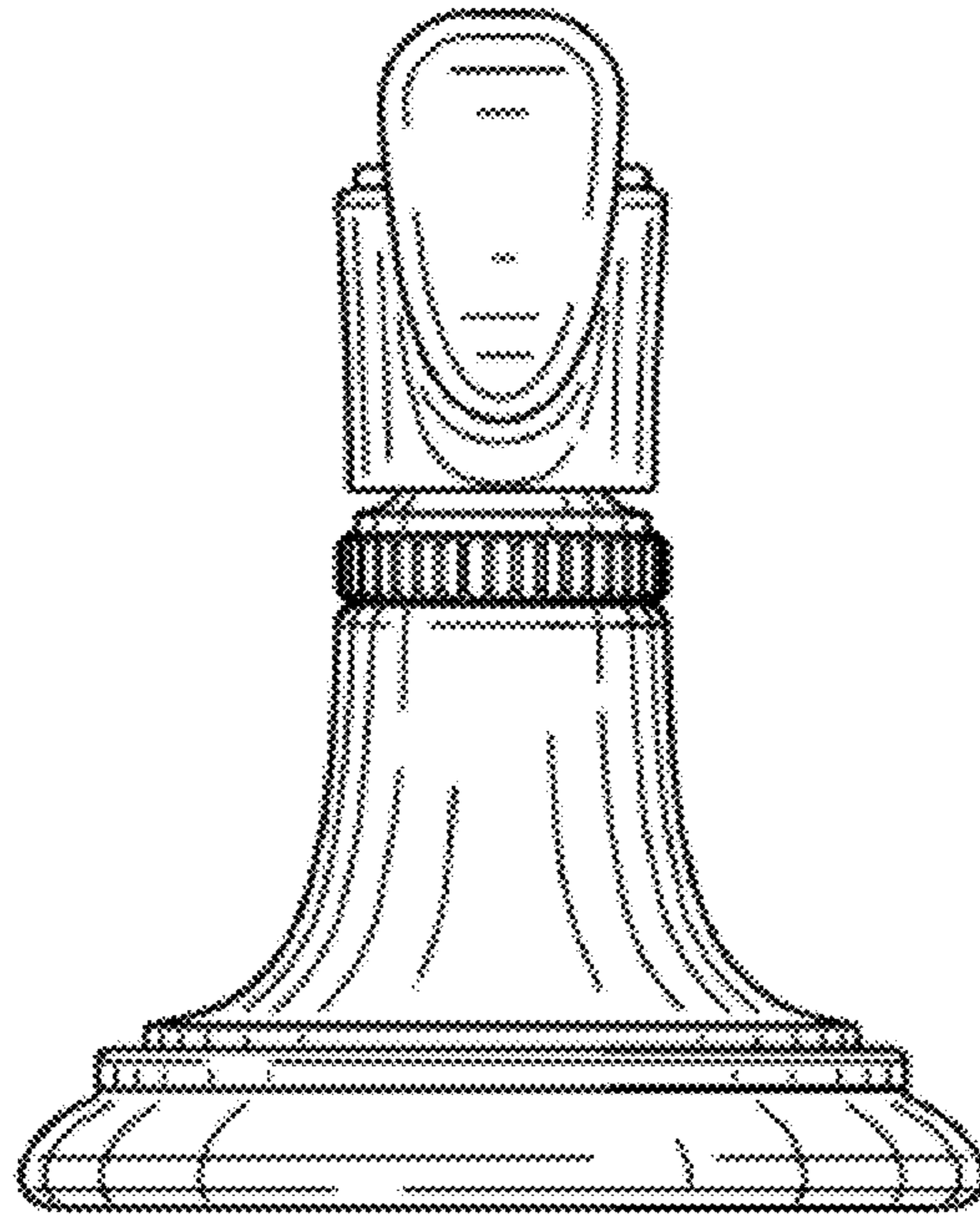


FIG. 4

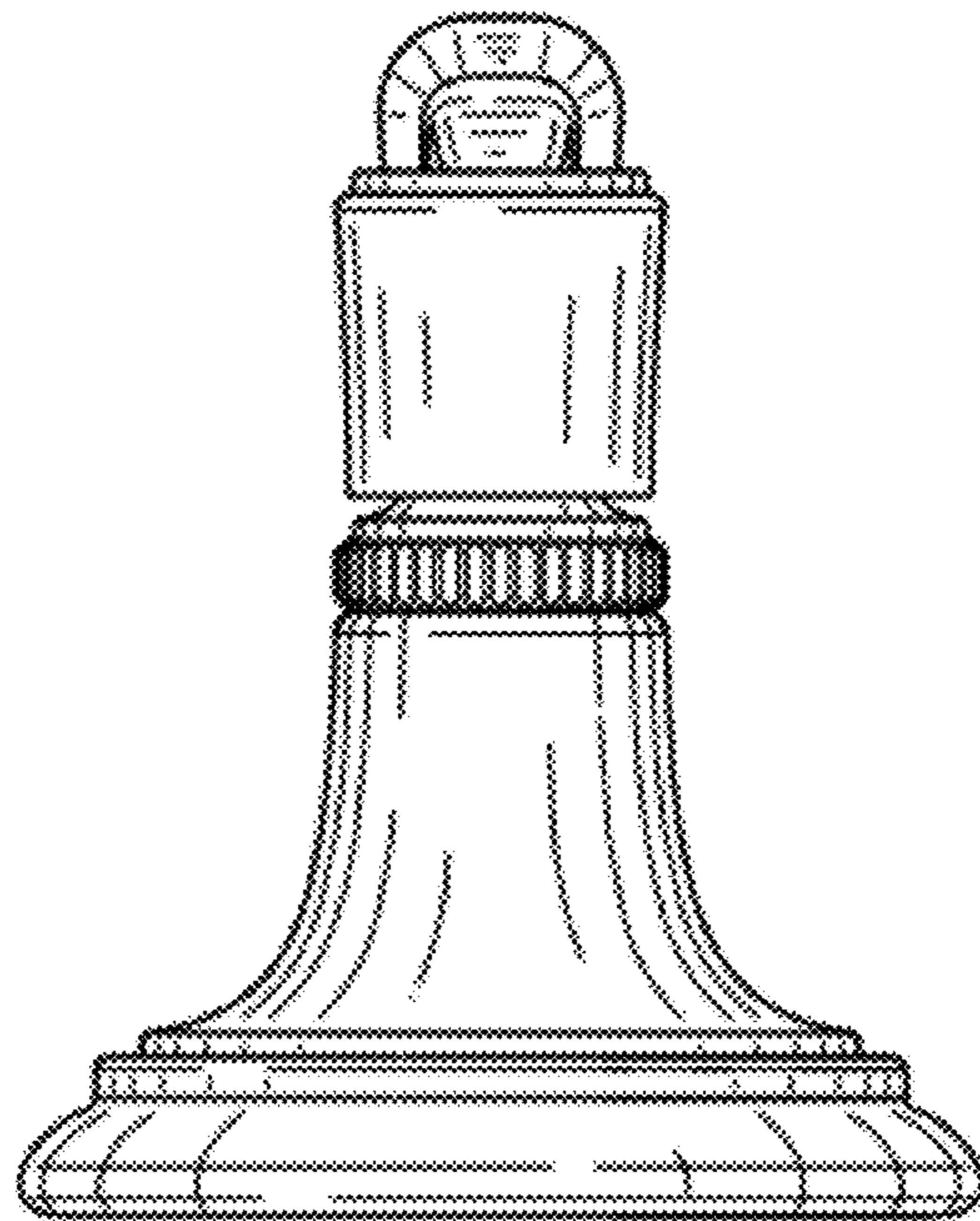


FIG. 5

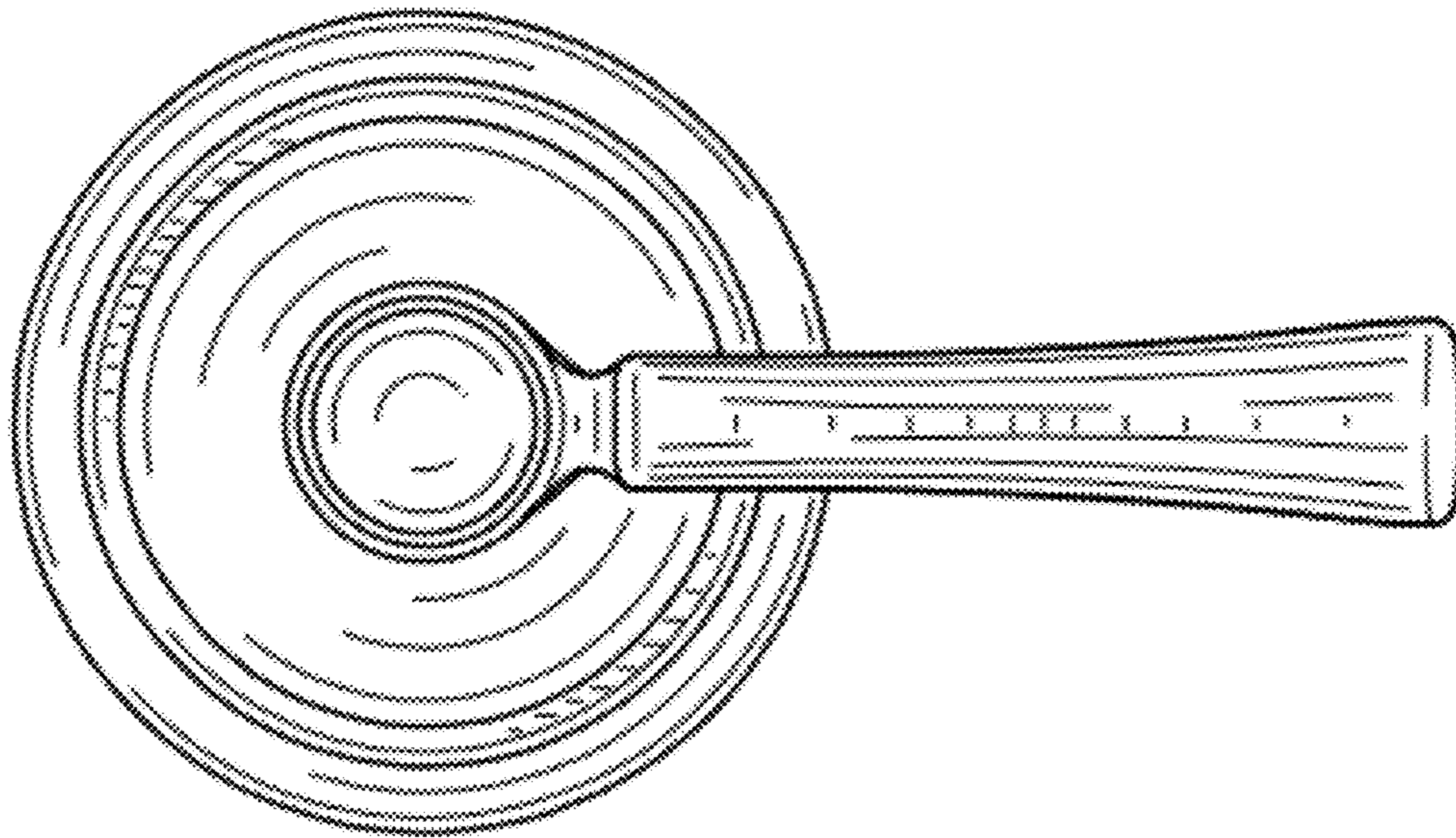


FIG. 6

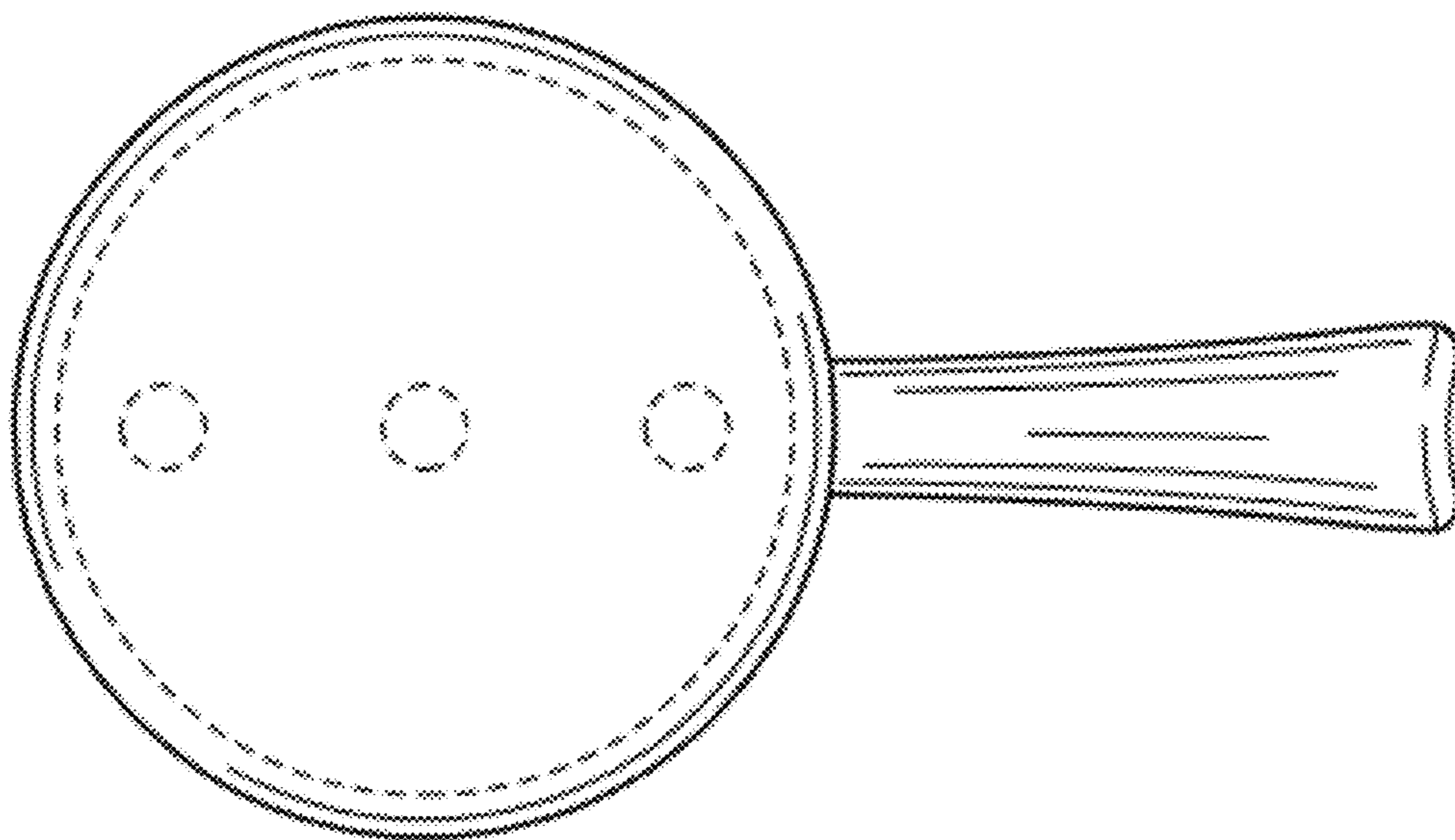


FIG. 7