



US00D659798S

(12) **United States Design Patent**
Flowers et al.

(10) **Patent No.:** **US D659,798 S**

(45) **Date of Patent:** **** May 15, 2012**

(54) **FAUCET**

(75) Inventors: **Paul Flowers**, Duesseldorf (DE);
Patrick Speck, Curitiba (BR)

(73) Assignee: **Grohe AG**, Hemer (DE)

(**) Term: **14 Years**

(21) Appl. No.: **29/399,081**

(22) Filed: **Aug. 9, 2011**

(30) **Foreign Application Priority Data**

Feb. 9, 2011 (EM) 001818550-0004

(51) **LOC (9) Cl.** **23-02**

(52) **U.S. Cl.** **D23/238**

(58) **Field of Classification Search** D23/255,
D23/238, 241-242, 257; 4/675-678; 137/801
See application file for complete search history.

(56) **References Cited**

U.S. PATENT DOCUMENTS

D203,244 S * 12/1965 Bilkiss D23/255
D280,233 S * 8/1985 Fleischmann D23/238
D511,201 S * 11/2005 Kulig et al. D23/238

D596,711 S * 7/2009 Sieger D23/238
D601,227 S * 9/2009 Sieger D23/242
D617,424 S * 6/2010 Hanna D23/252
D624,990 S * 10/2010 Joerger et al. D23/242
D645,938 S * 9/2011 Ando et al. D23/238

* cited by examiner

Primary Examiner — Robert Delehanty

(74) *Attorney, Agent, or Firm* — Muncy, Geissler, Olds and
Lowe, PLLC

(57) **CLAIM**

The ornamental design for a faucet, as shown and described.

DESCRIPTION

FIG. 1 is a left side elevational view of a faucet according to the invention.

FIG. 2 is a right side elevational view of the faucet of FIG. 1.

FIG. 3 is a front elevational view of the faucet of FIG. 1.

FIG. 4 is a rear elevational view of the faucet of FIG. 1.

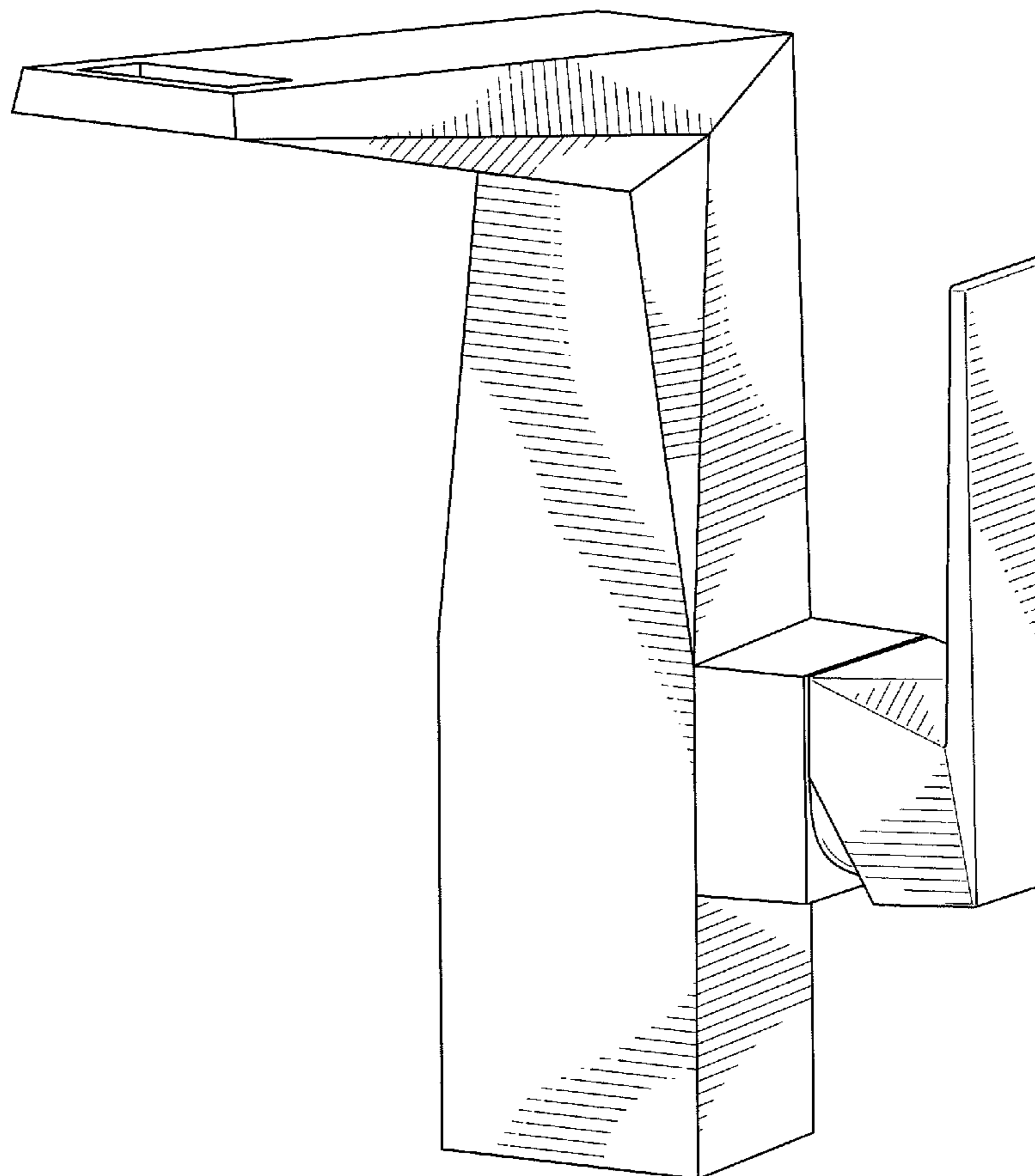
FIG. 5 is a top plan view of the faucet of FIG. 1.

FIG. 6 is a bottom plan view of the faucet of FIG. 1; and,

FIG. 7 is a perspective view of the faucet of FIG. 1.

The dashed lines illustrate environment that does not form a part of the present invention, and no claim is made to the material illustrated with dashed lines.

1 Claim, 7 Drawing Sheets



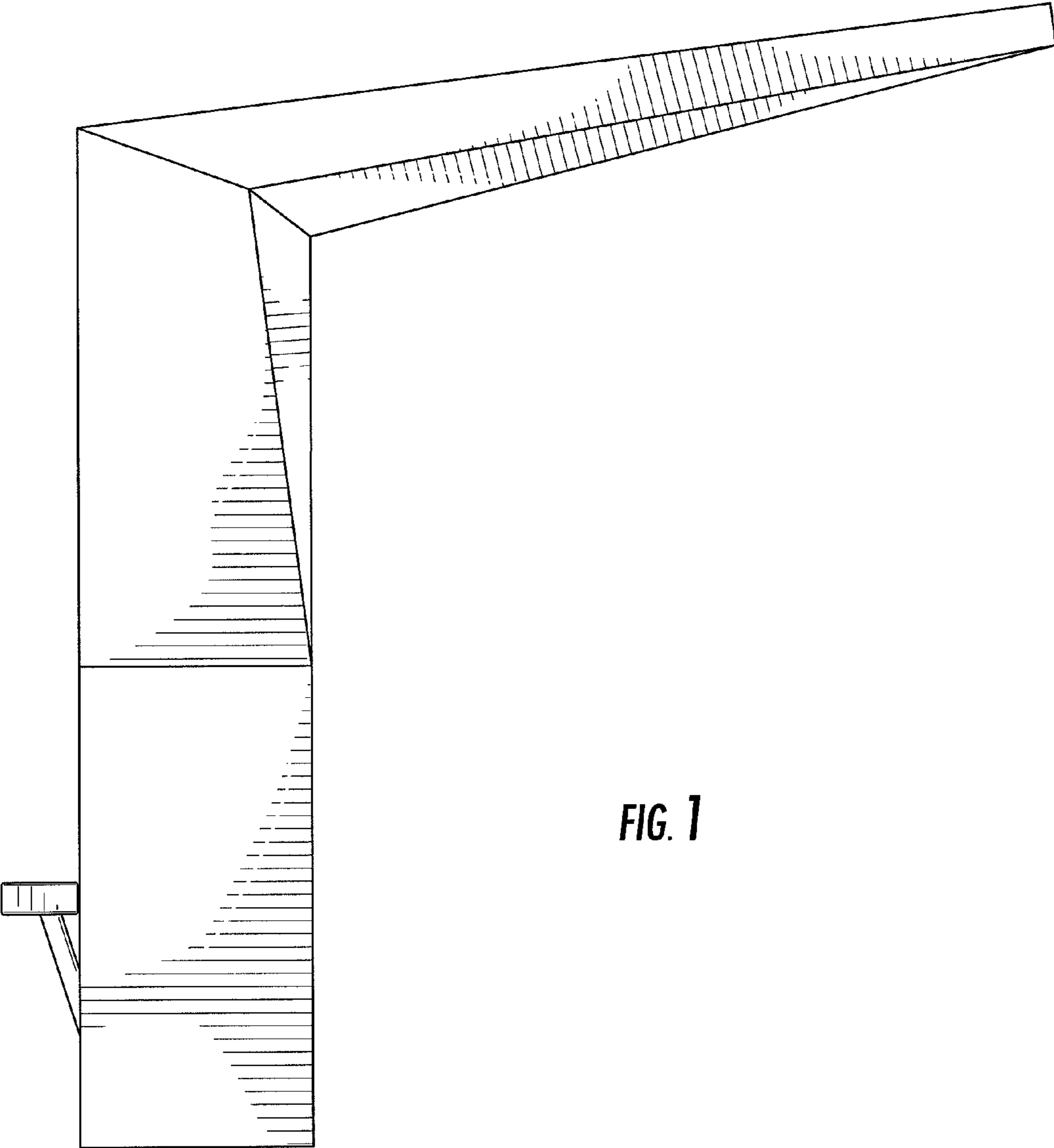


FIG. 1

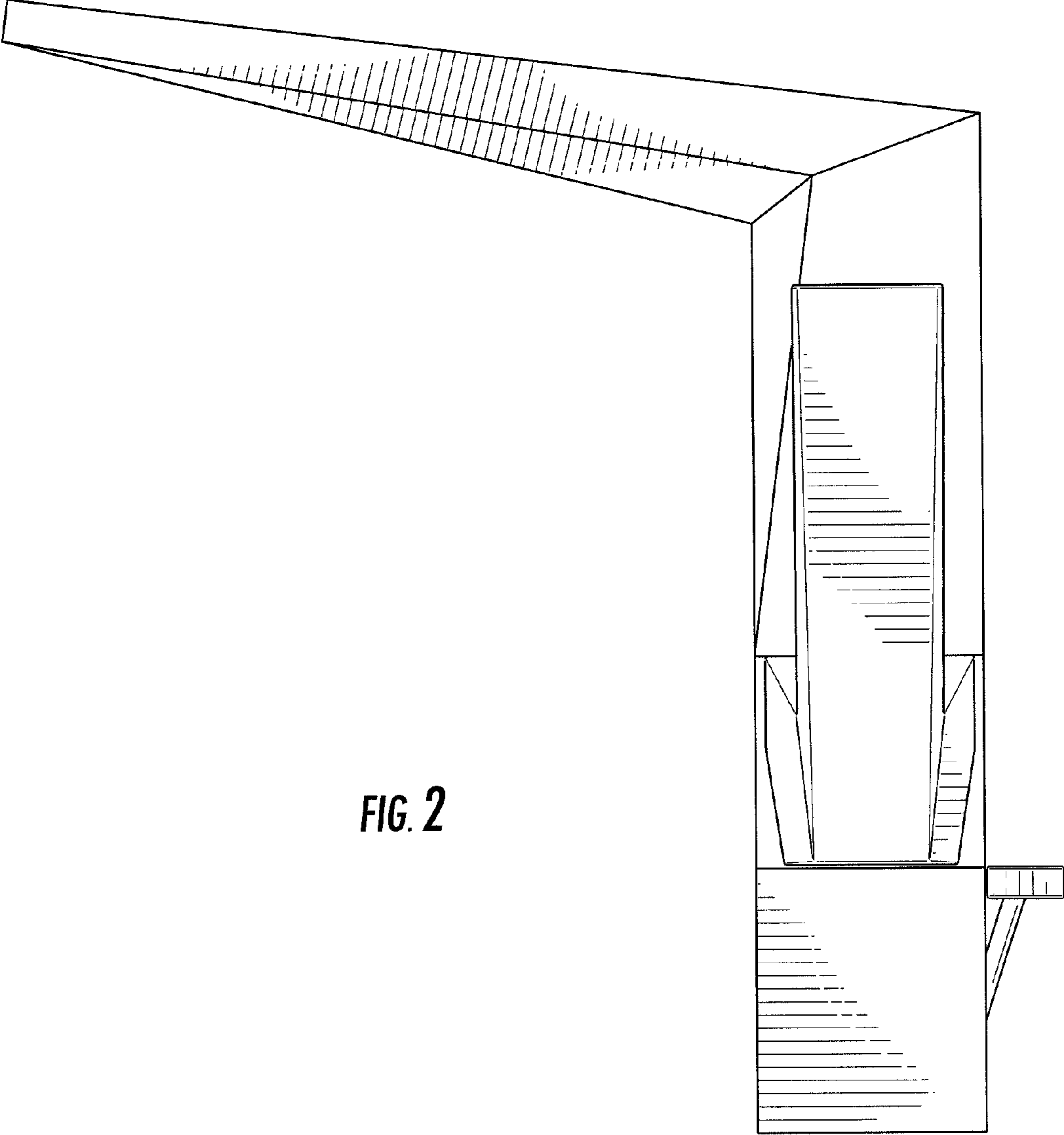


FIG. 2

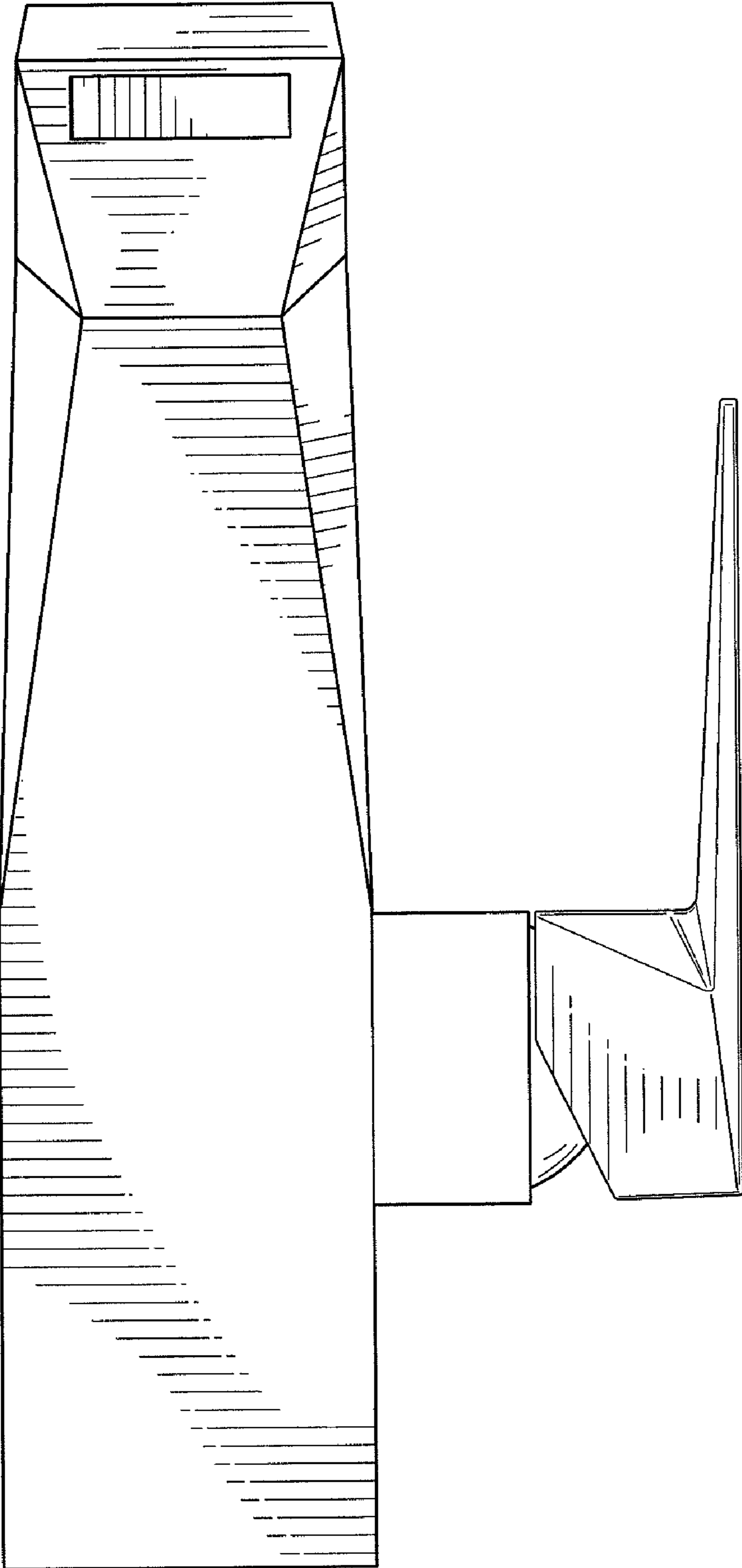


FIG. 3

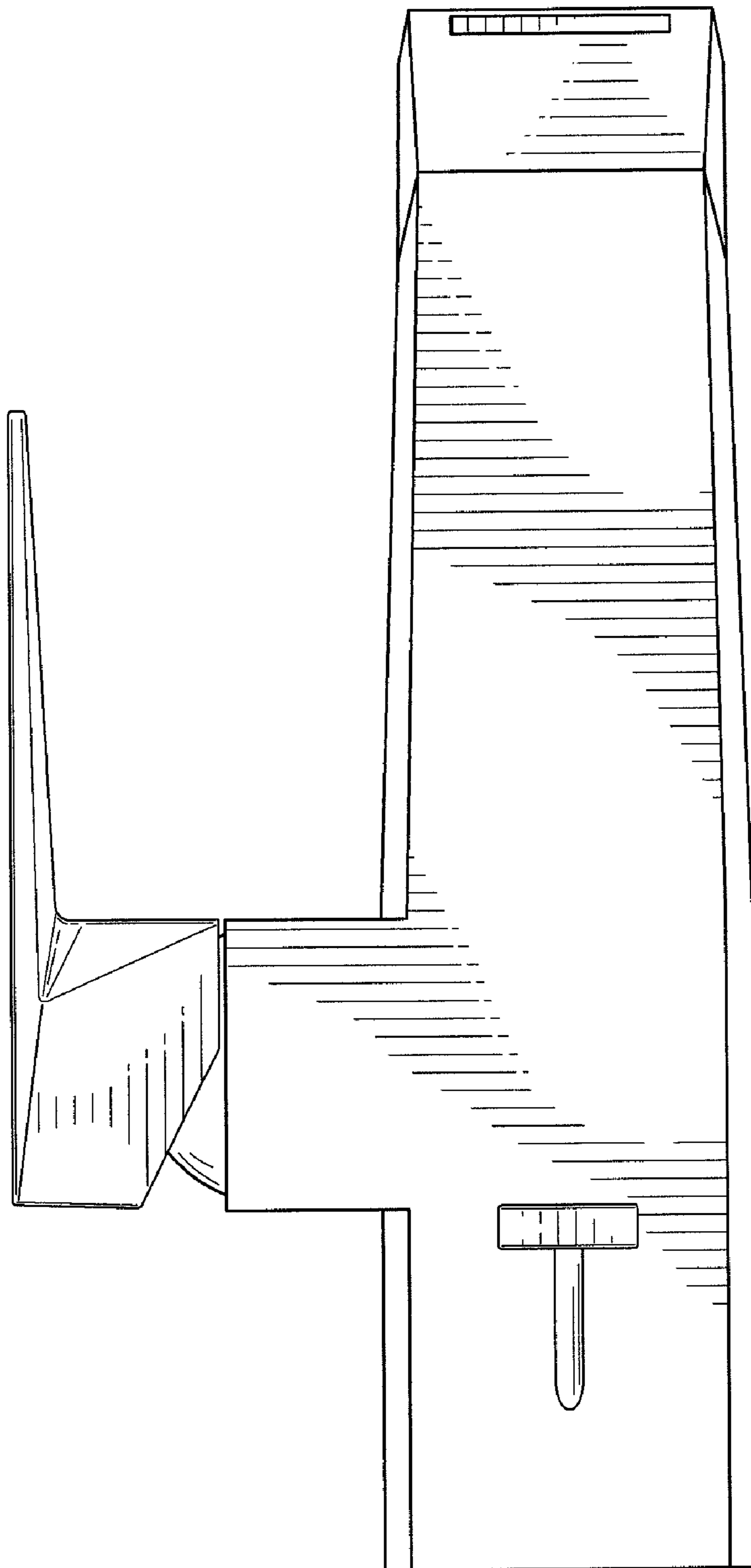


FIG. 4

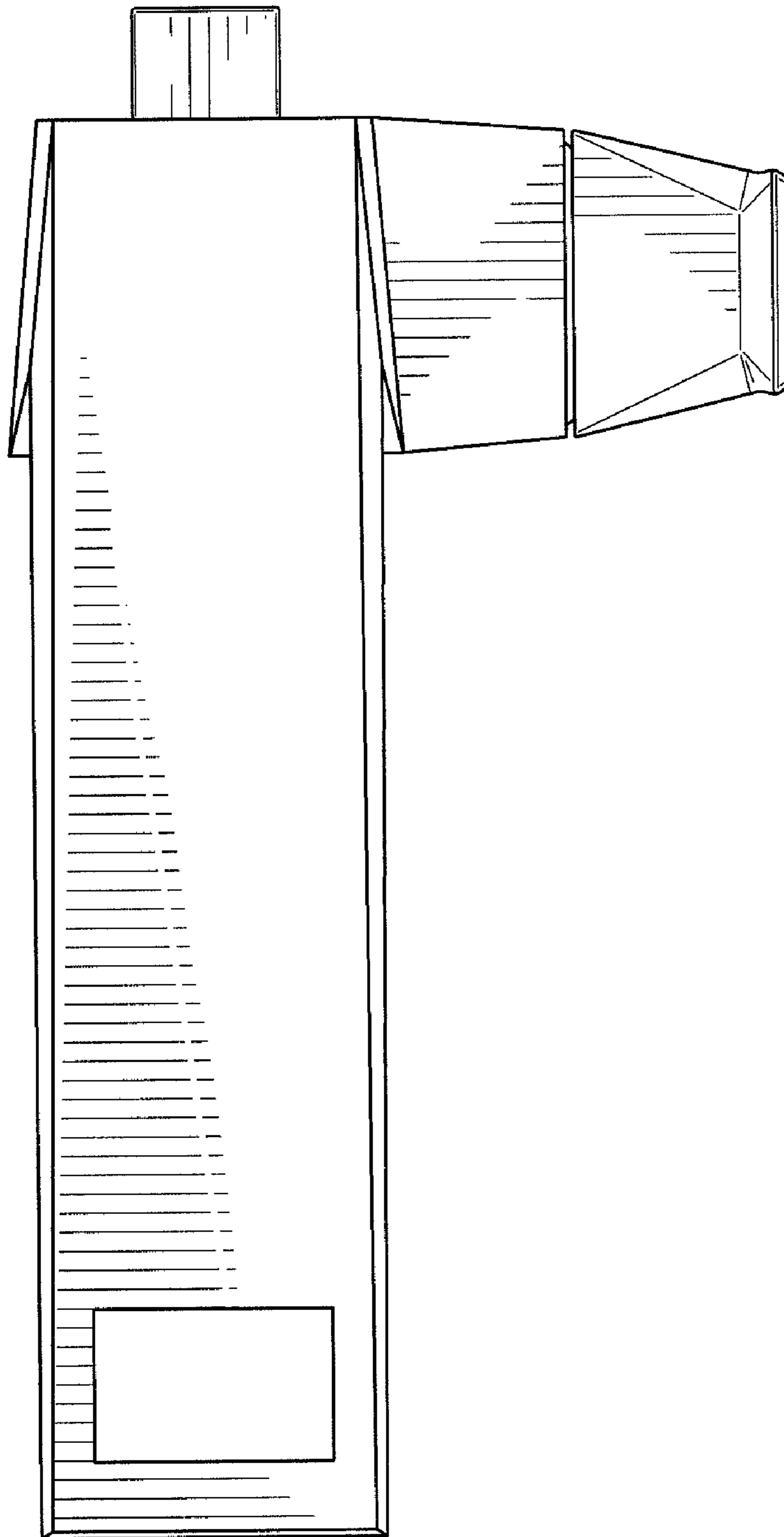


FIG. 5

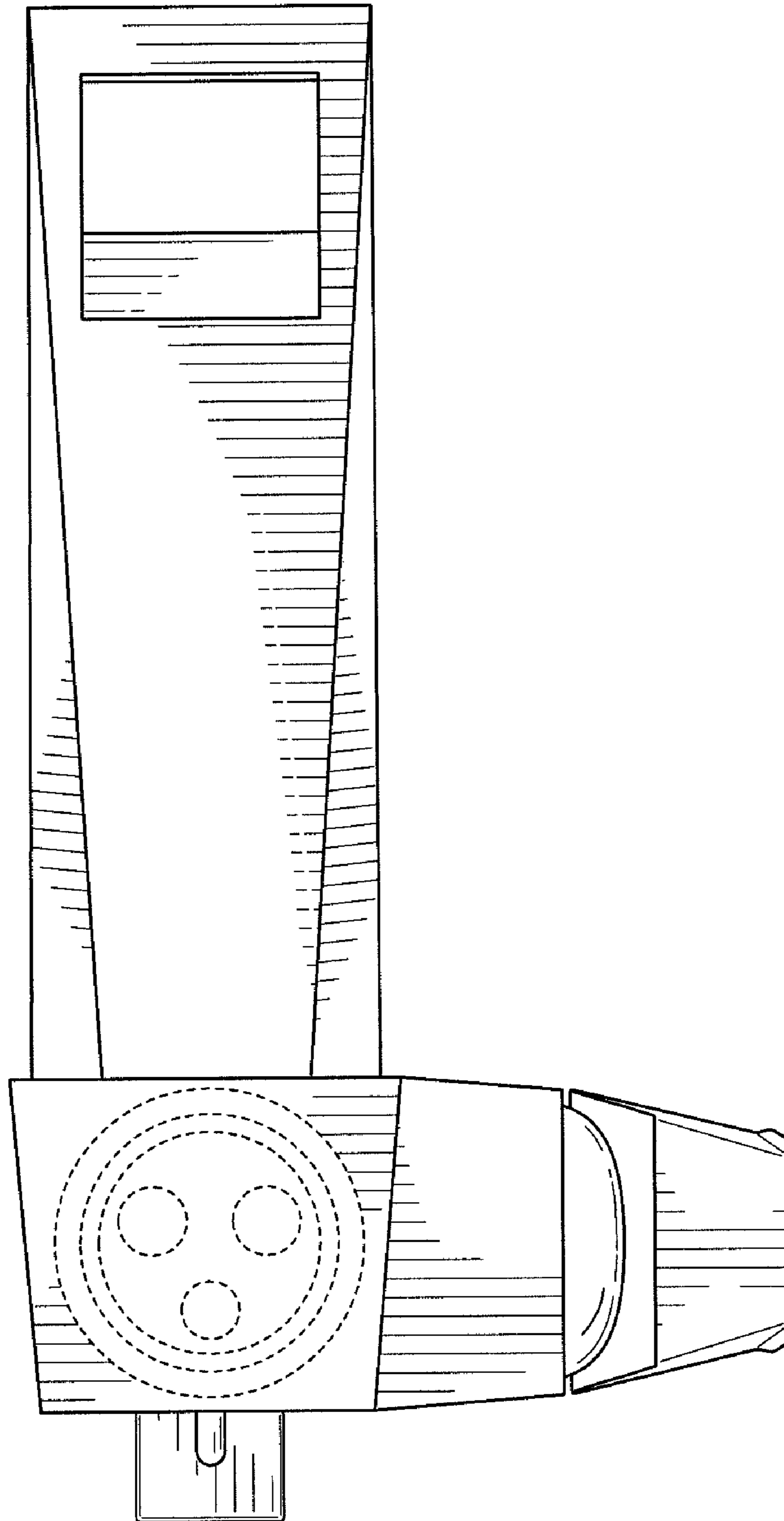


FIG. 6

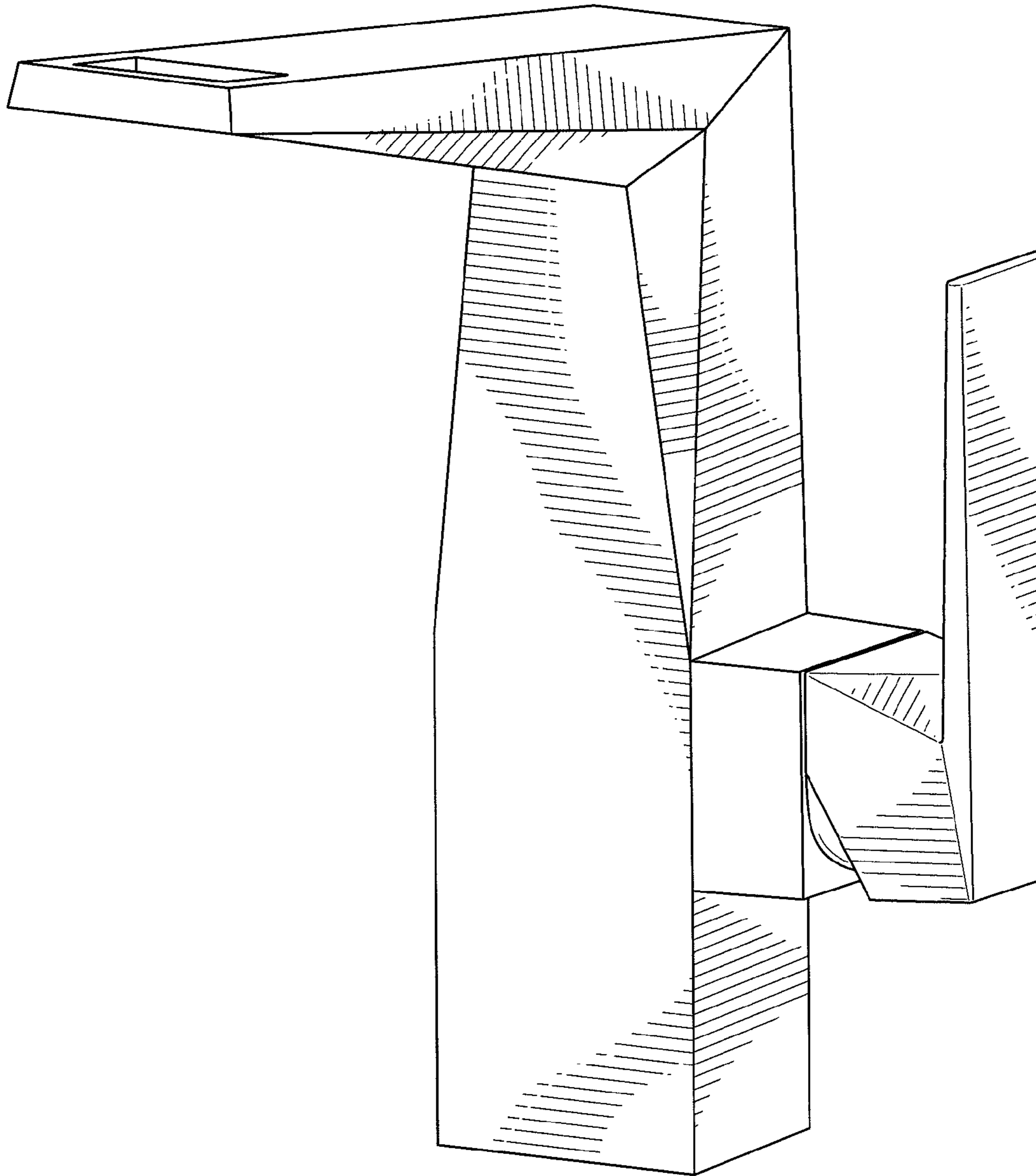


FIG. 7