



US00D659791S

(12) **United States Design Patent**
Combrowski

(10) **Patent No.:** **US D659,791 S**

(45) **Date of Patent:** **** May 15, 2012**

(54) **FISHING REEL**

(75) **Inventor:** **Zbigniew Combrowski, Tuttlingen (DE)**

(73) **Assignee:** **Z-Reels GmbH & Co. KG, Tuttlingen (DE)**

(**) **Term:** **14 Years**

(21) **Appl. No.:** **29/404,171**

(22) **Filed:** **Oct. 17, 2011**

Related U.S. Application Data

(62) **Division of application No. 29/378,369, filed on Nov. 3, 2010, now Pat. No. Des. 650,038.**

(51) **LOC (9) Cl.** **22-05**

(52) **U.S. Cl.** **D22/137**

(58) **Field of Classification Search** **D22/137-141;**
242/118.4, 118.3, 118.7, 311, 317-323, 224,
242/295, 234, 240, 303

See application file for complete search history.

(56) **References Cited**

U.S. PATENT DOCUMENTS

D353,643 S	12/1994	Shiple
D443,017 S	5/2001	Alden
D515,656 S	2/2006	Lepage et al.
D521,105 S	5/2006	Lepage
D529,123 S	9/2006	Nago
D581,008 S	11/2008	Danielson

Primary Examiner — Catheri Oliver

(74) *Attorney, Agent, or Firm* — Bachman & LaPointe, P.C.

(57) **CLAIM**

The ornamental design for a fishing reel, as shown.

DESCRIPTION

FIG. 1 is a perspective view of an alternate embodiment of the fishing reel according to the invention;
FIG. 2 is a top view of the fishing reel of FIG. 1;
FIG. 3 is an end view the fishing reel of FIG. 1;
FIG. 4 is a bottom view of the fishing reel of FIG. 1;
FIG. 5 is another end view of the fishing reel of FIG. 1;
FIG. 6 is a side view of the fishing reel of FIG. 1; and,
FIG. 7 is a perspective view of the fishing reel of FIG. 1.

1 Claim, 7 Drawing Sheets



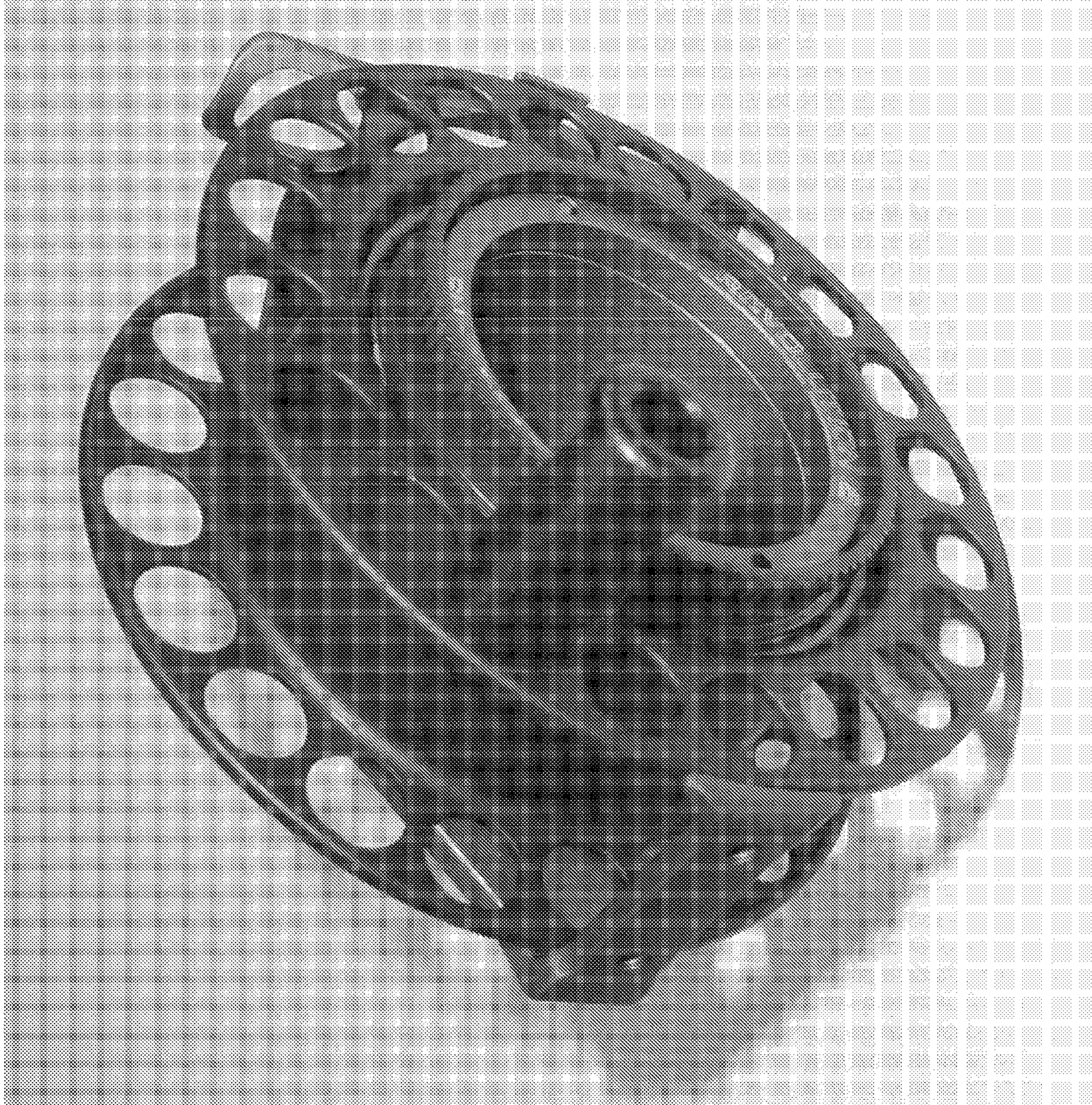


FIGURE 1

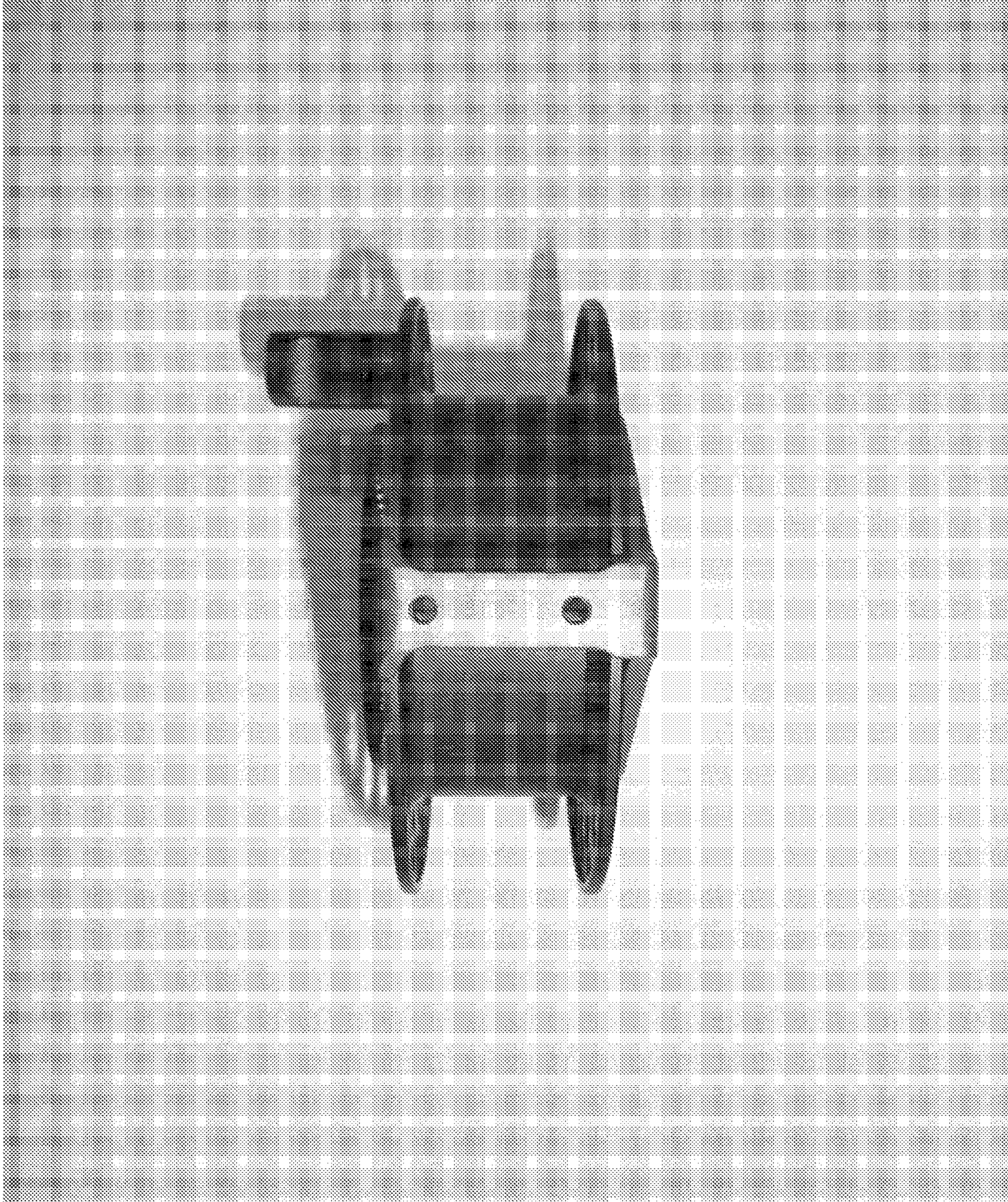


FIGURE 2

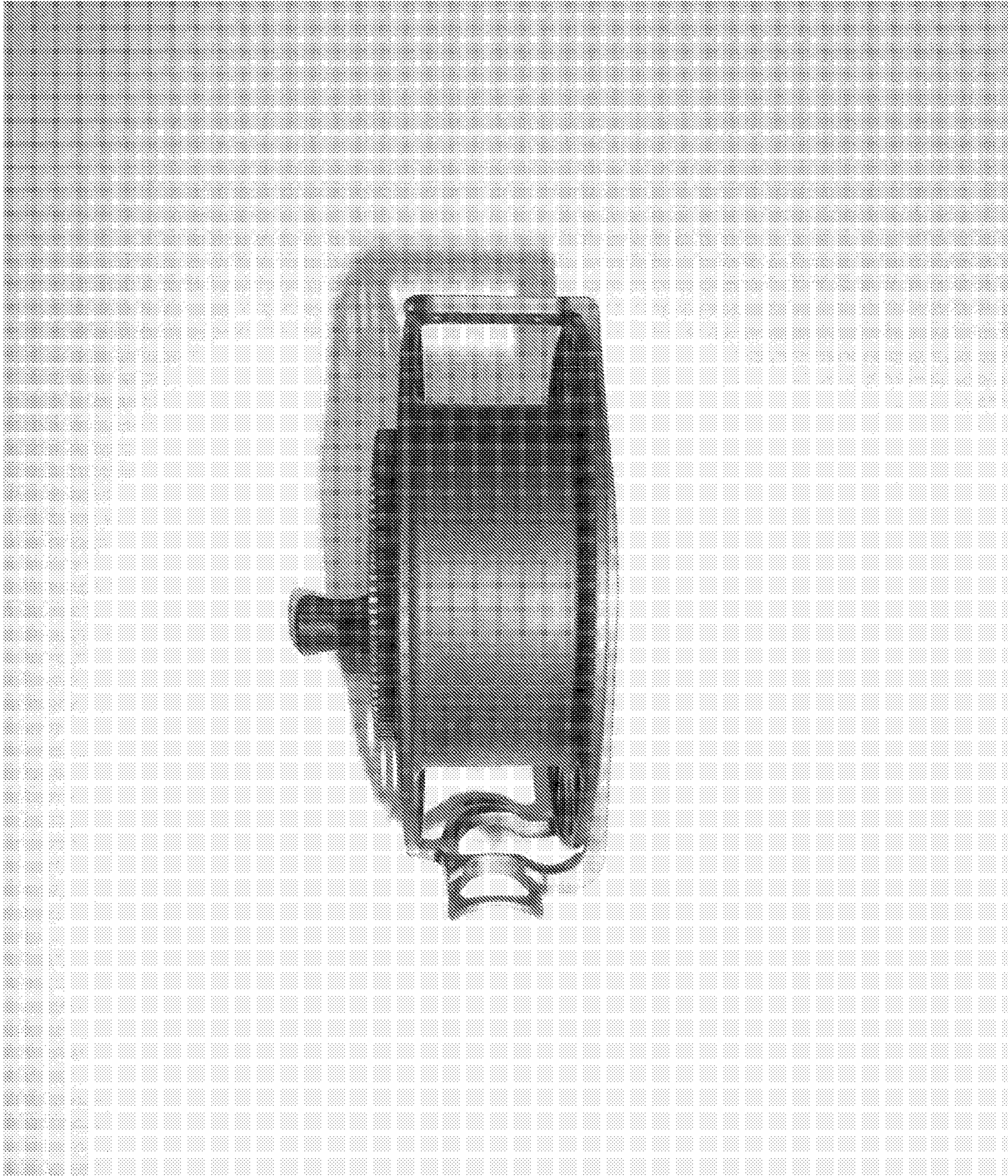


FIGURE 3

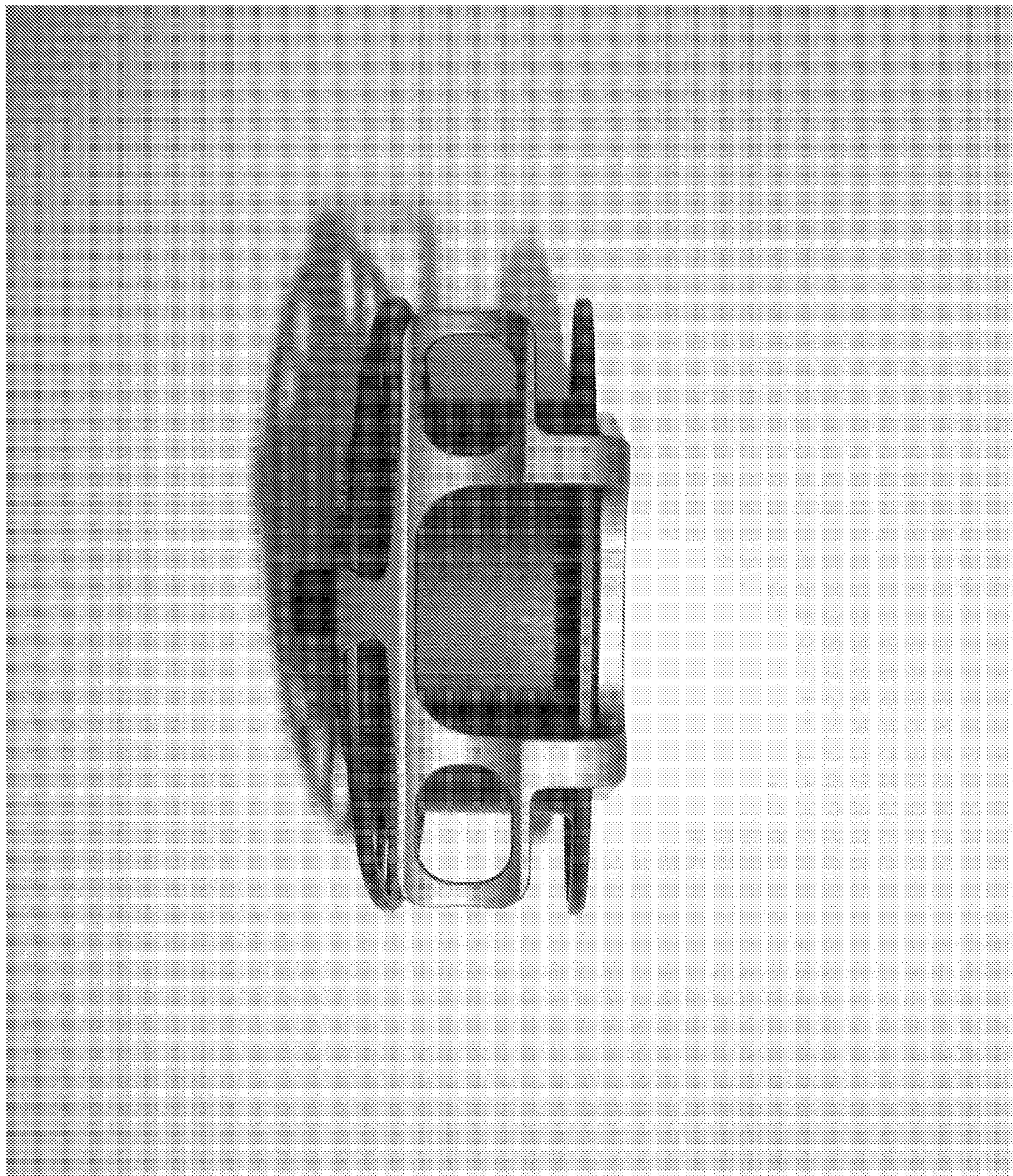


FIGURE 4

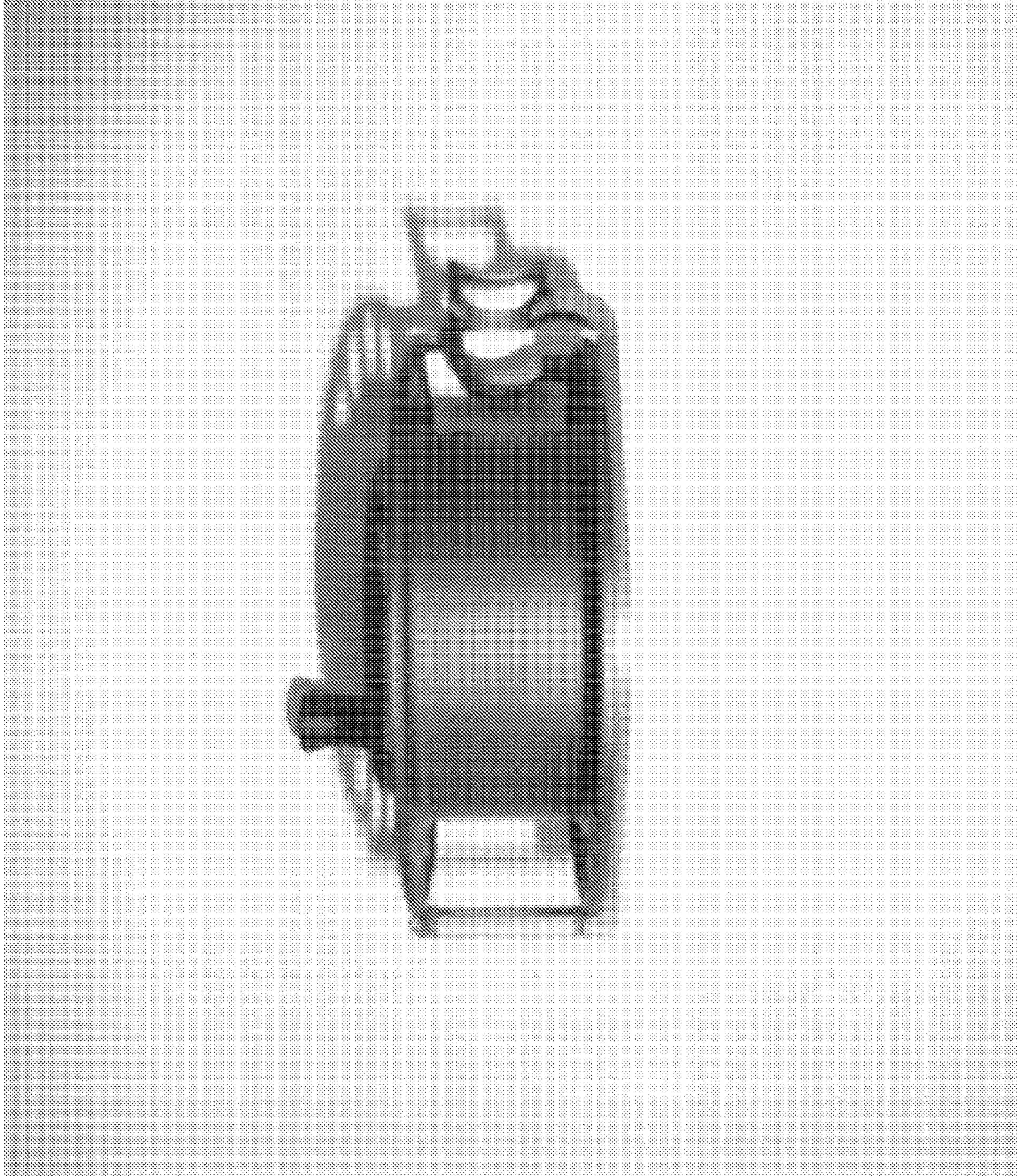


FIGURE 5

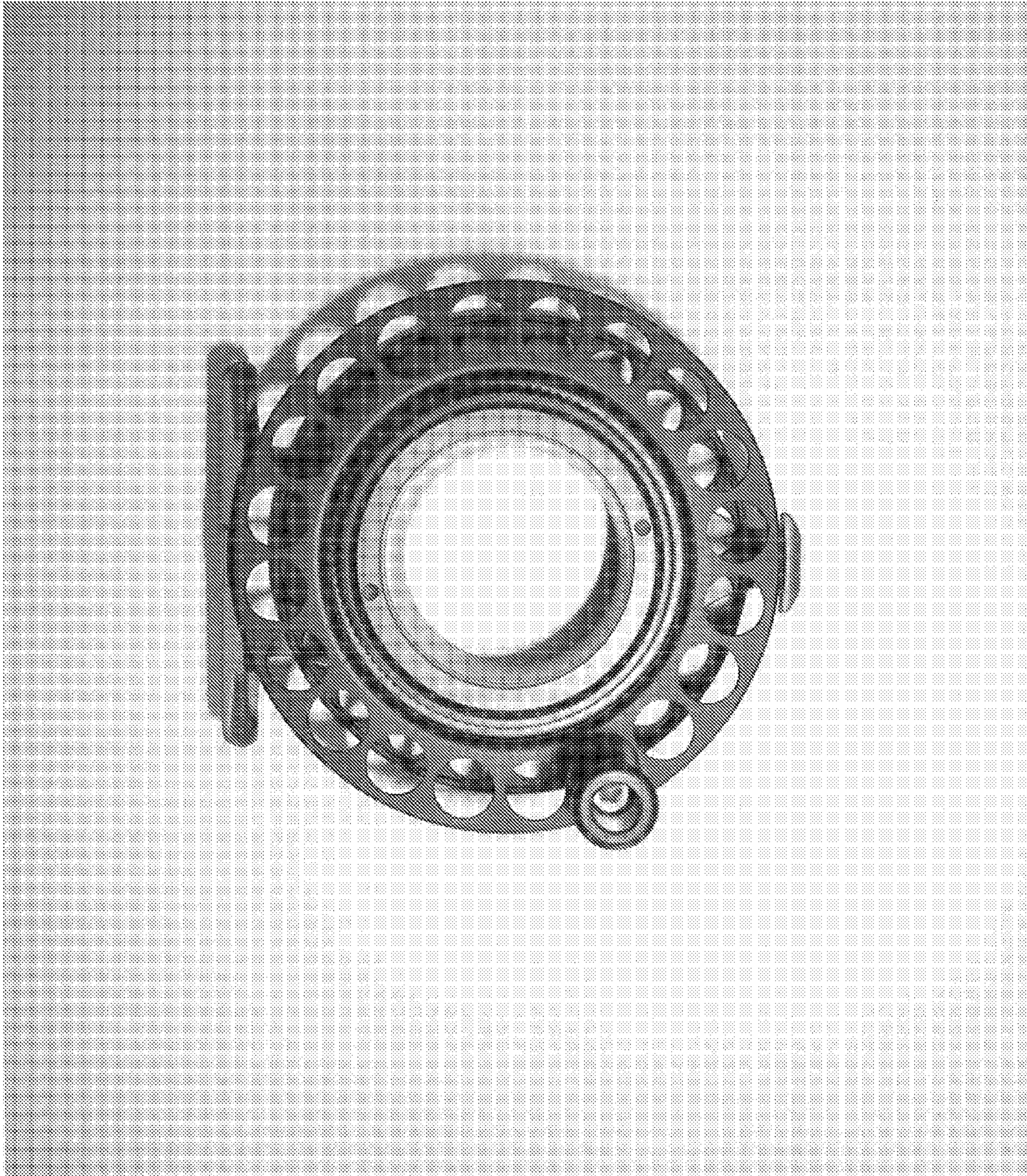


FIGURE 6

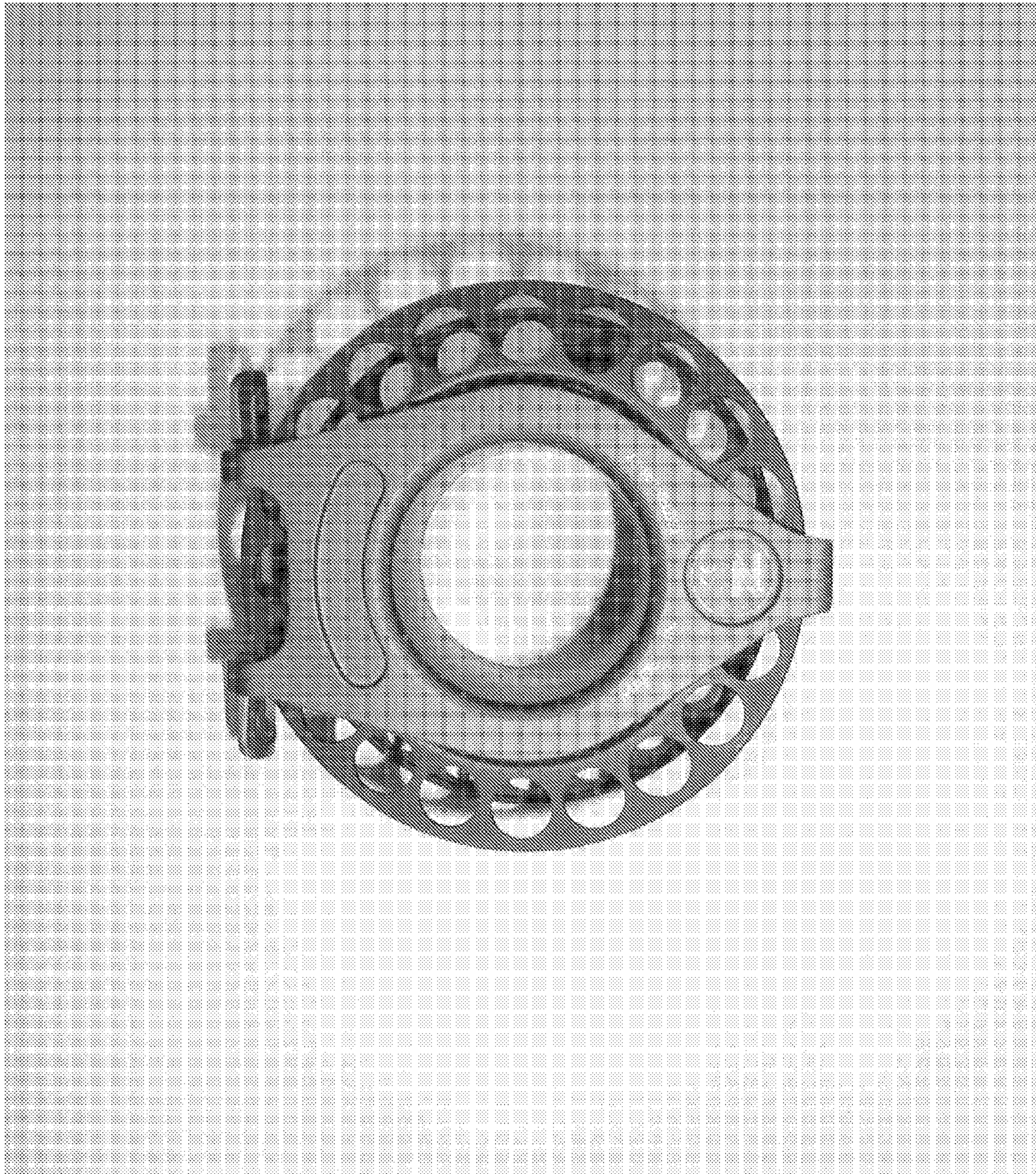


FIGURE 7