



US00D659790S

(12) **United States Design Patent**
Geissele

(10) **Patent No.:** **US D659,790 S**

(45) **Date of Patent:** **** May 15, 2012**

(54) **FIREARM TRIGGER**

(75) Inventor: **William H. Geissele**, Norristown, PA
(US)

(73) Assignee: **WHG Properties, LLC**, Jeffersonville,
PA (US)

(**) Term: **14 Years**

(21) Appl. No.: **29/389,270**

(22) Filed: **Apr. 8, 2011**

(51) **LOC (9) Cl.** **22-01**

(52) **U.S. Cl.** **D22/108**

(58) **Field of Classification Search** D22/101,
D22/104, 105, 108, 109, 110, 11, 113, 114;
42/59, 71.01, 71.02, 72, 74, 73; D21/572-574;
D23/213, 223, 226; 239/525-526

See application file for complete search history.

(56) **References Cited**

U.S. PATENT DOCUMENTS

D447,791 S *	9/2001	Robidoux	D23/226
6,345,460 B2 *	2/2002	Hashman	42/16
D462,105 S *	8/2002	Myers	D22/108
D504,168 S *	4/2005	McCormick	D22/108

D593,617 S *	6/2009	Dochterman	D21/573
7,600,338 B2 *	10/2009	Geissele	42/69.03
D624,609 S *	9/2010	Stein et al.	D21/573
2007/0051236 A1 *	3/2007	Groves et al.	89/142

* cited by examiner

Primary Examiner — Michael Pratt

(74) *Attorney, Agent, or Firm* — Merchant & Gould P.C.

(57) **CLAIM**

The ornamental design for a firearm trigger, as shown and described.

DESCRIPTION

FIG. 1 is a rear, top, left side perspective view of a firearm trigger in accordance with my new design;
 FIG. 2 is a front, top, left side perspective view thereof;
 FIG. 3 is a left side view thereof;
 FIG. 4 is a right side view thereof;
 FIG. 5 is a rear view thereof;
 FIG. 6 is a front view thereof;
 FIG. 7 is a bottom view thereof; and,
 FIG. 8 is an enlarged left side view of the firearm trigger shown of a rifle which forms not part of the claimed design.
 The broken lines in the Figures are for illustrative purposes only and form no part of the claimed design.

1 Claim, 8 Drawing Sheets

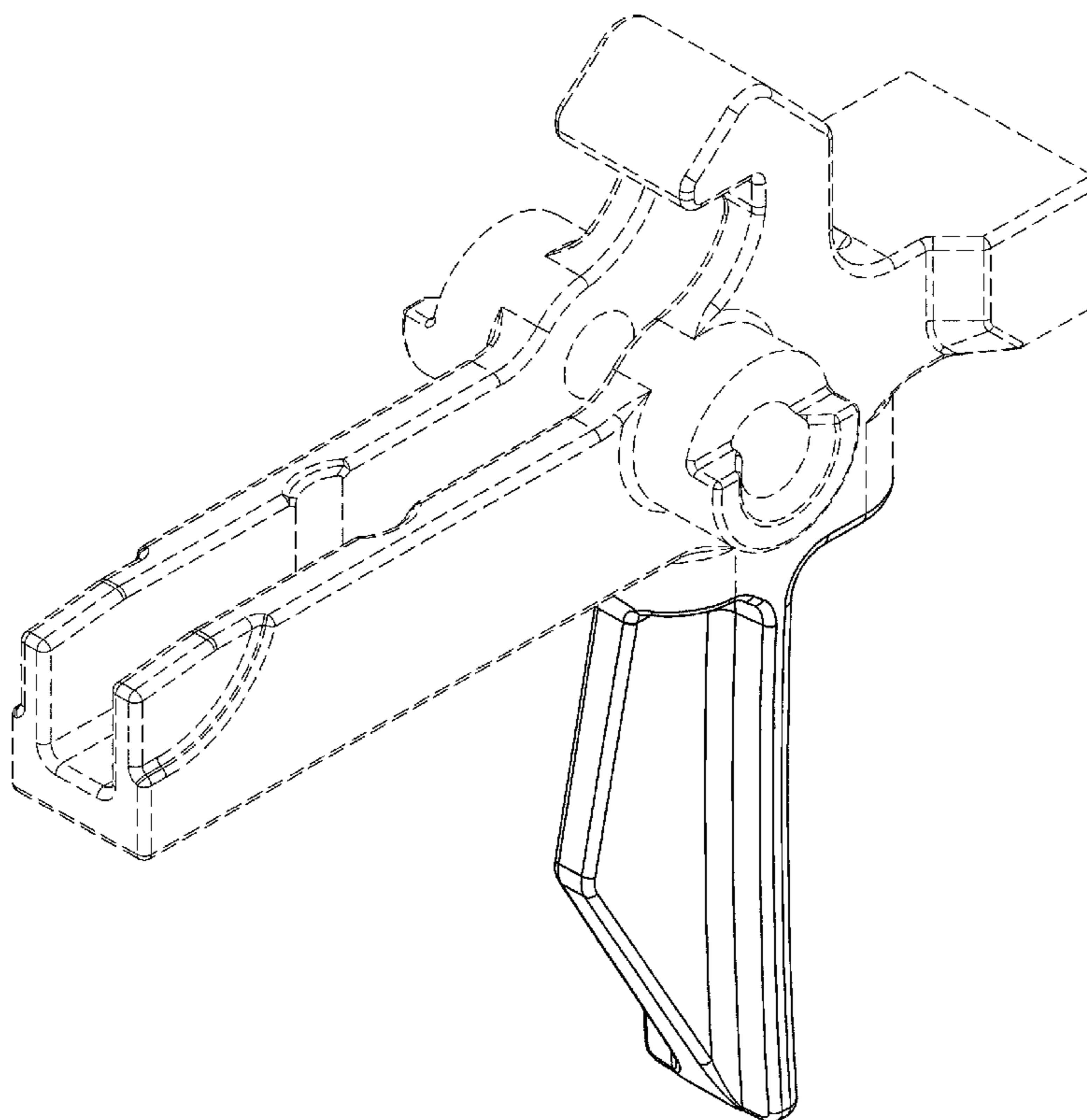


FIG. 1

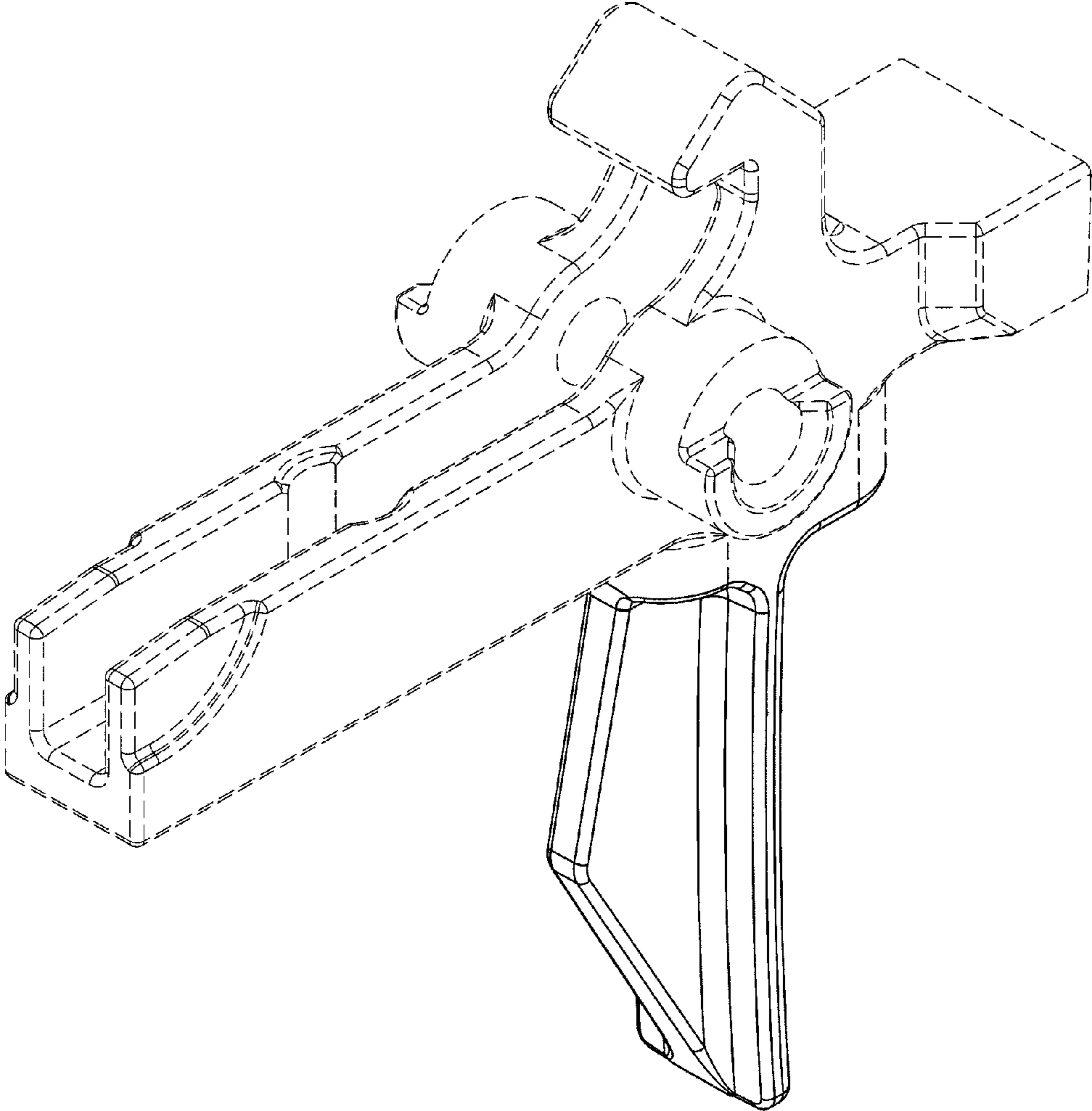


FIG. 2

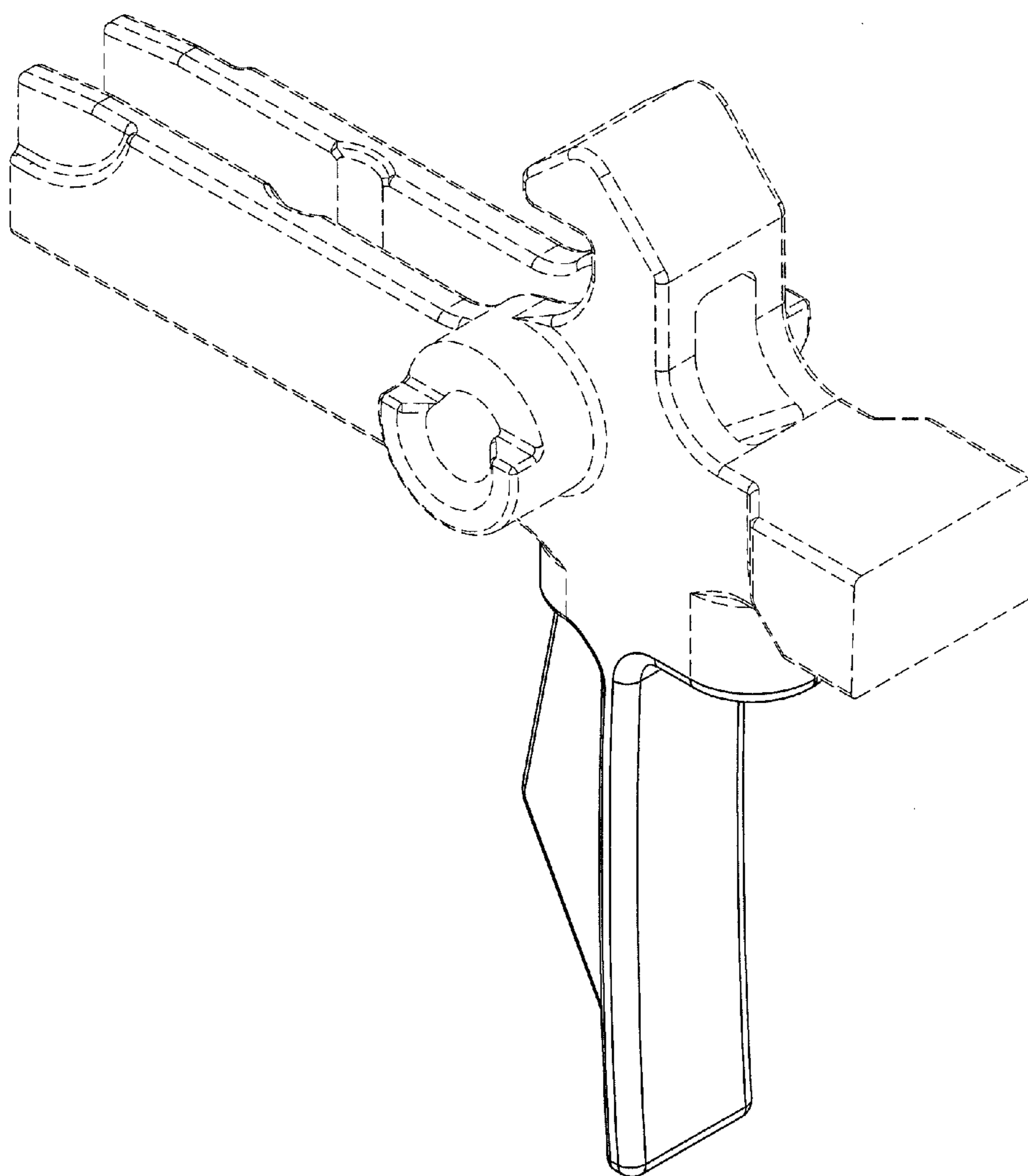


FIG. 3

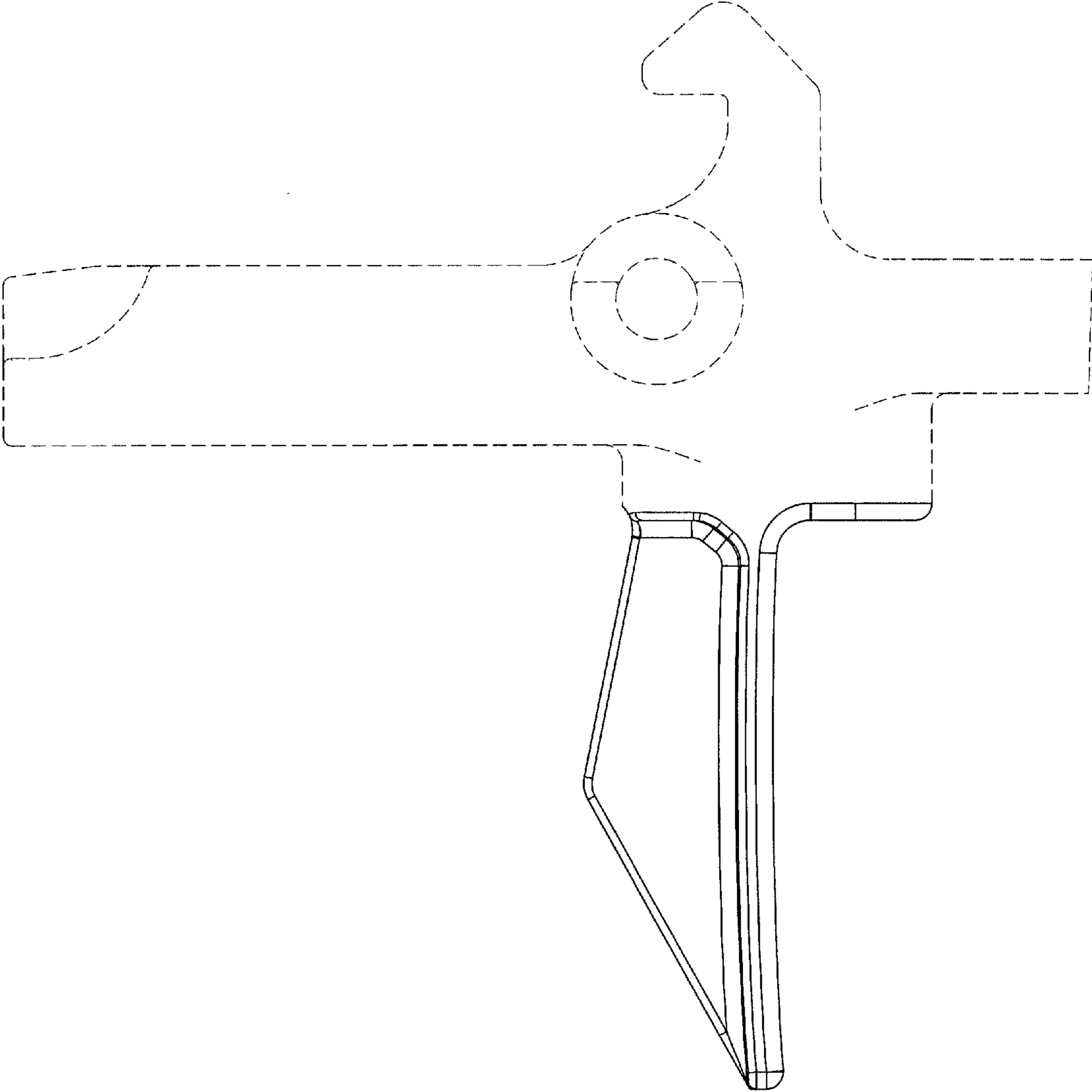


FIG. 4

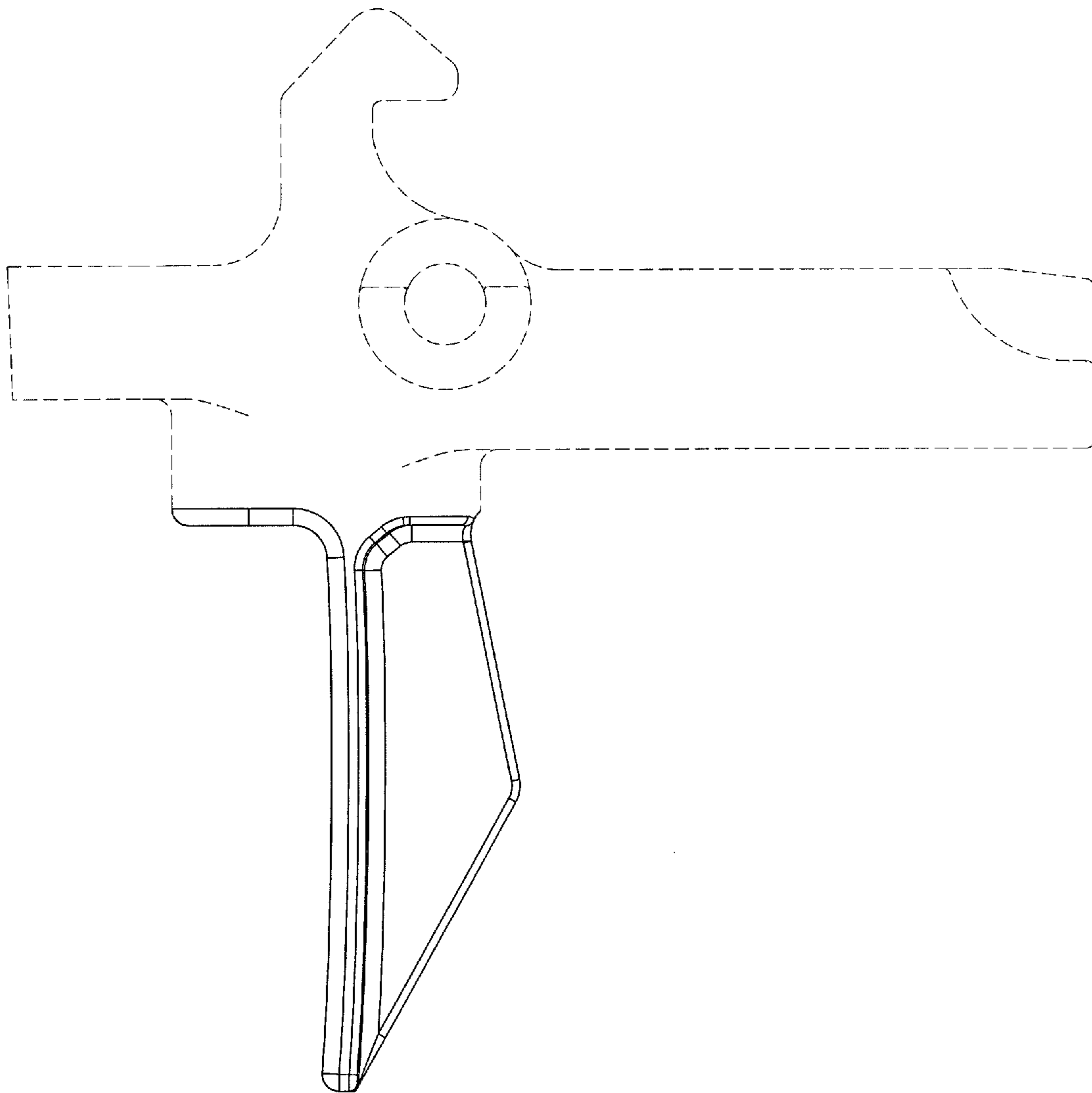


FIG. 5

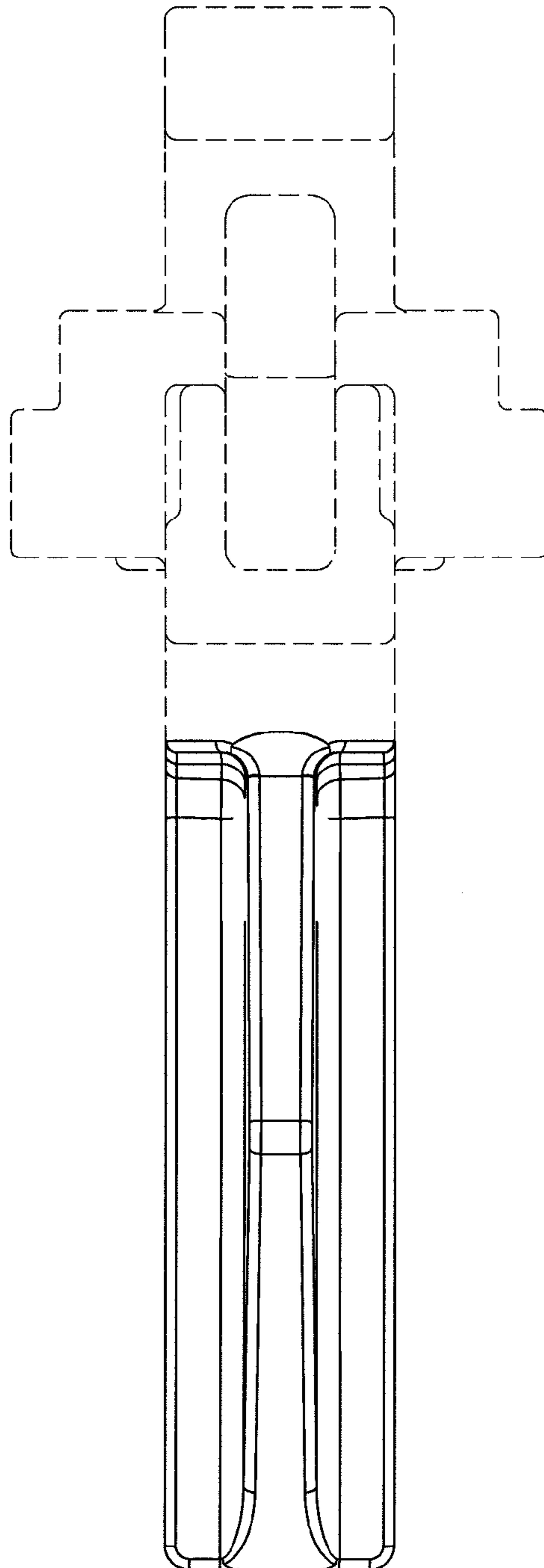


FIG. 6

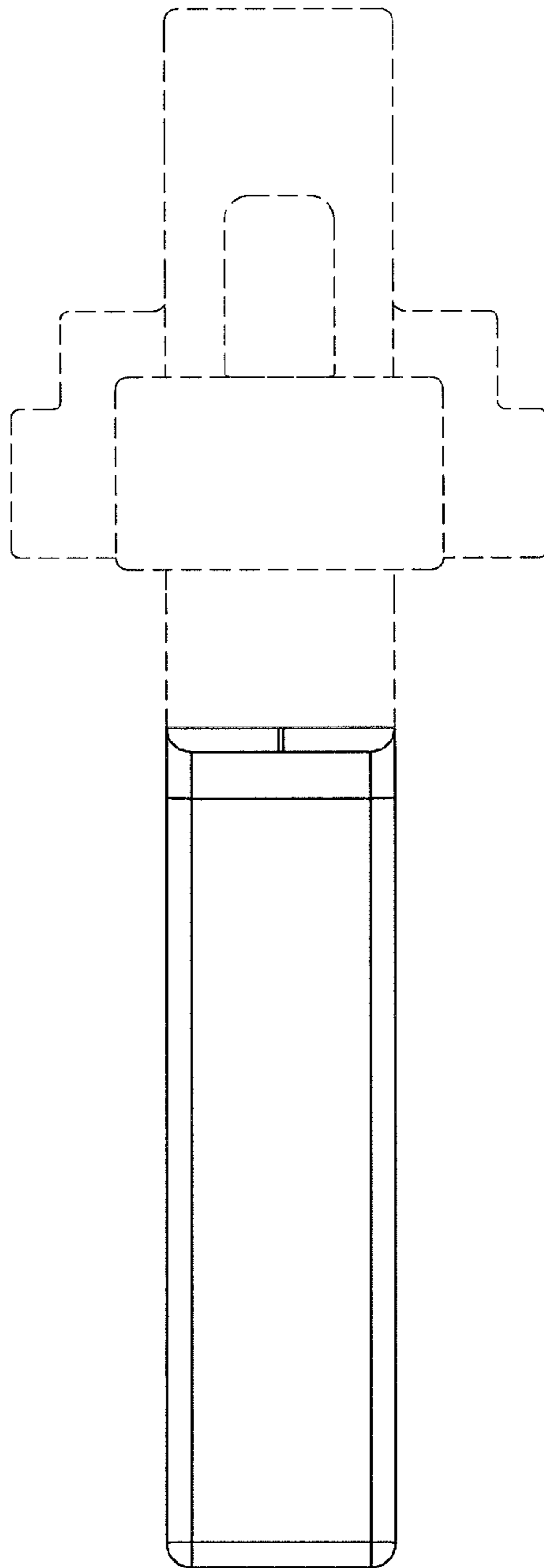


FIG. 7

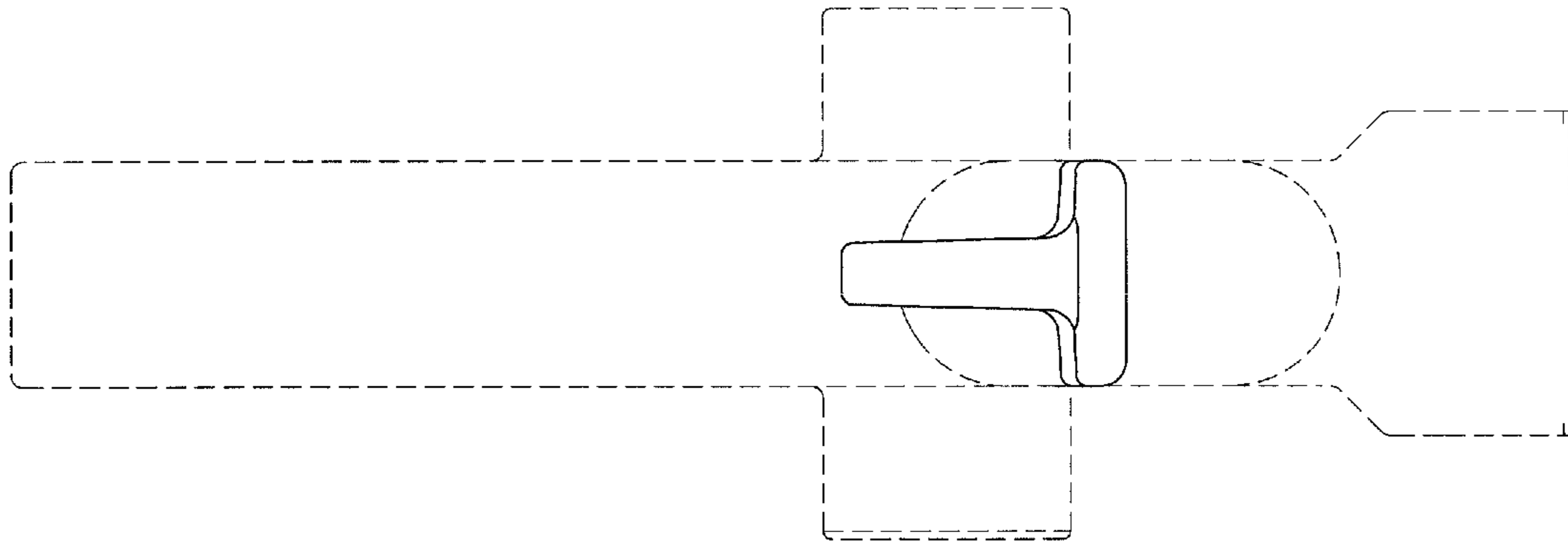


FIG. 8

