



US00D659789S

(12) **United States Design Patent**
Trevino, III et al.

(10) **Patent No.:** **US D659,789 S**

(45) **Date of Patent:** **** May 15, 2012**

(54) **GUN TRIGGER LOCK**

(76) Inventors: **Fermin Trevino, III**, Kingwood, TX
(US); **Fermin Trevino, IV**, Lorton, VA
(US)

(**) Term: **14 Years**

(21) Appl. No.: **29/382,390**

(22) Filed: **Jan. 3, 2011**

(51) **LOC (9) Cl.** **22-01**

(52) **U.S. Cl.** **D22/108**

(58) **Field of Classification Search** D22/100,
D22/108, 199; 42/44, 66, 70.02, 70.06, 70.07,
42/70.11, 150; 70/58, 63, 202, 211, 312;
D1/100, 127-130, 199; D11/10-11, 26-28,
D11/40-43, 75, 89-93; D28/8.1; D21/386;
D24/100-101; 119/702, 707-711

See application file for complete search history.

(56) **References Cited**

U.S. PATENT DOCUMENTS

2,664,658	A *	1/1954	Bjorklund	42/70.06
5,277,599	A *	1/1994	Nilson	439/133
5,419,068	A *	5/1995	Pages et al.	42/70.07

5,638,627	A *	6/1997	Klein et al.	42/70.07
D393,305	S *	4/1998	Misner et al.	D22/108
6,341,661	B1 *	1/2002	Bick et al.	181/110
6,644,071	B2 *	11/2003	Gilbertson et al.	70/14
6,655,673	B2 *	12/2003	Colby	269/32
6,863,618	B2 *	3/2005	Perry	473/242
6,865,914	B2 *	3/2005	Irgens et al.	70/231
7,507,132	B2 *	3/2009	Grune et al.	441/65
2010/0261961	A1 *	10/2010	Scott et al.	600/111
2011/0066193	A1 *	3/2011	Lang et al.	606/86 R

* cited by examiner

Primary Examiner — Michael Pratt

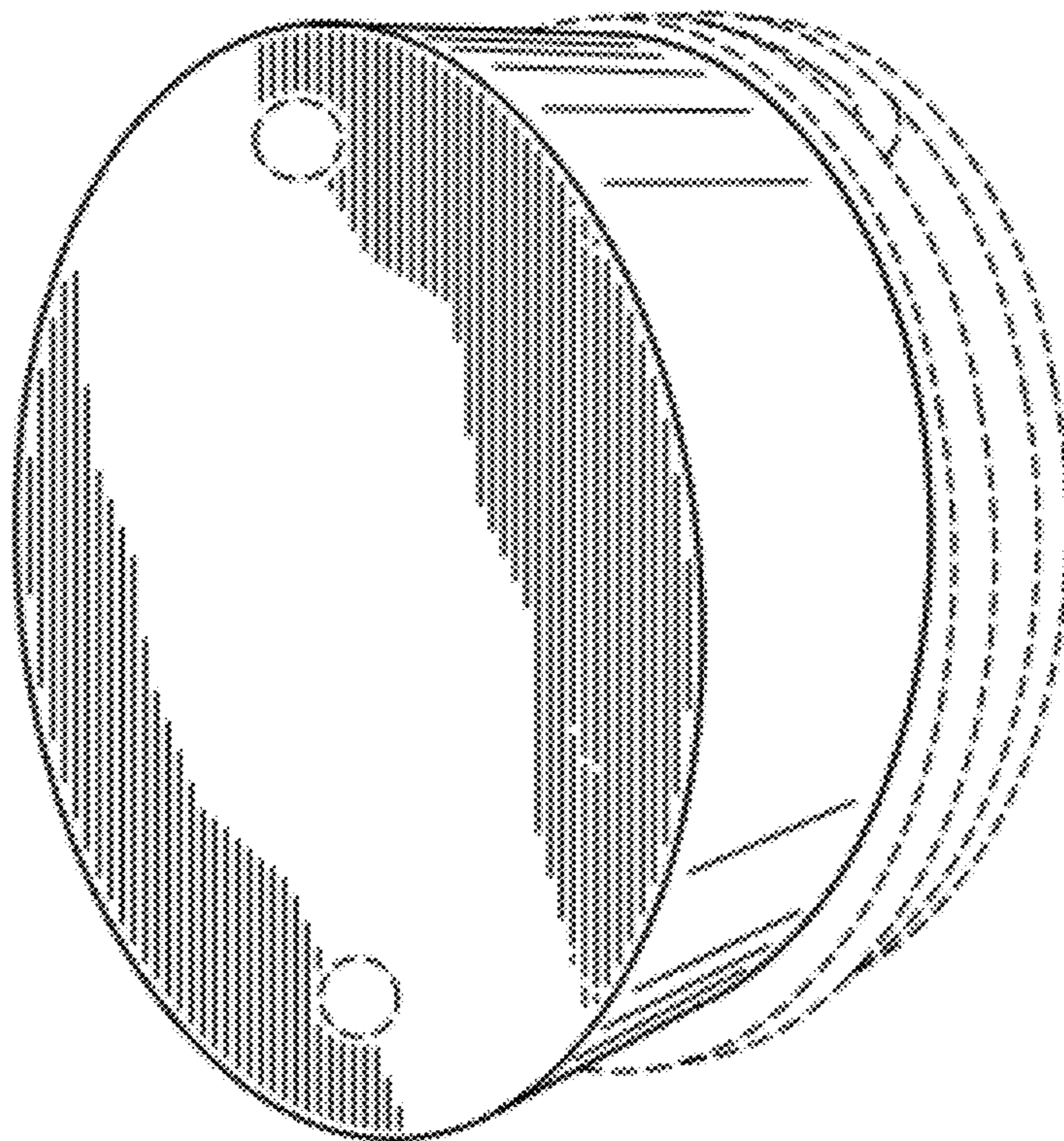
(57) **CLAIM**

The ornamental design for a gun trigger lock, as shown and described.

DESCRIPTION

FIG. 1 shows a perspective view of an embodiment thereof.
FIG. 2 shows a perspective side view thereof.
FIG. 3 shows a front view thereof.
FIG. 4 shows a side view thereof.
FIG. 5 shows another side view thereof.
FIG. 6 shows another side view thereof; and,
FIG. 7 shows another side view thereof.

1 Claim, 4 Drawing Sheets



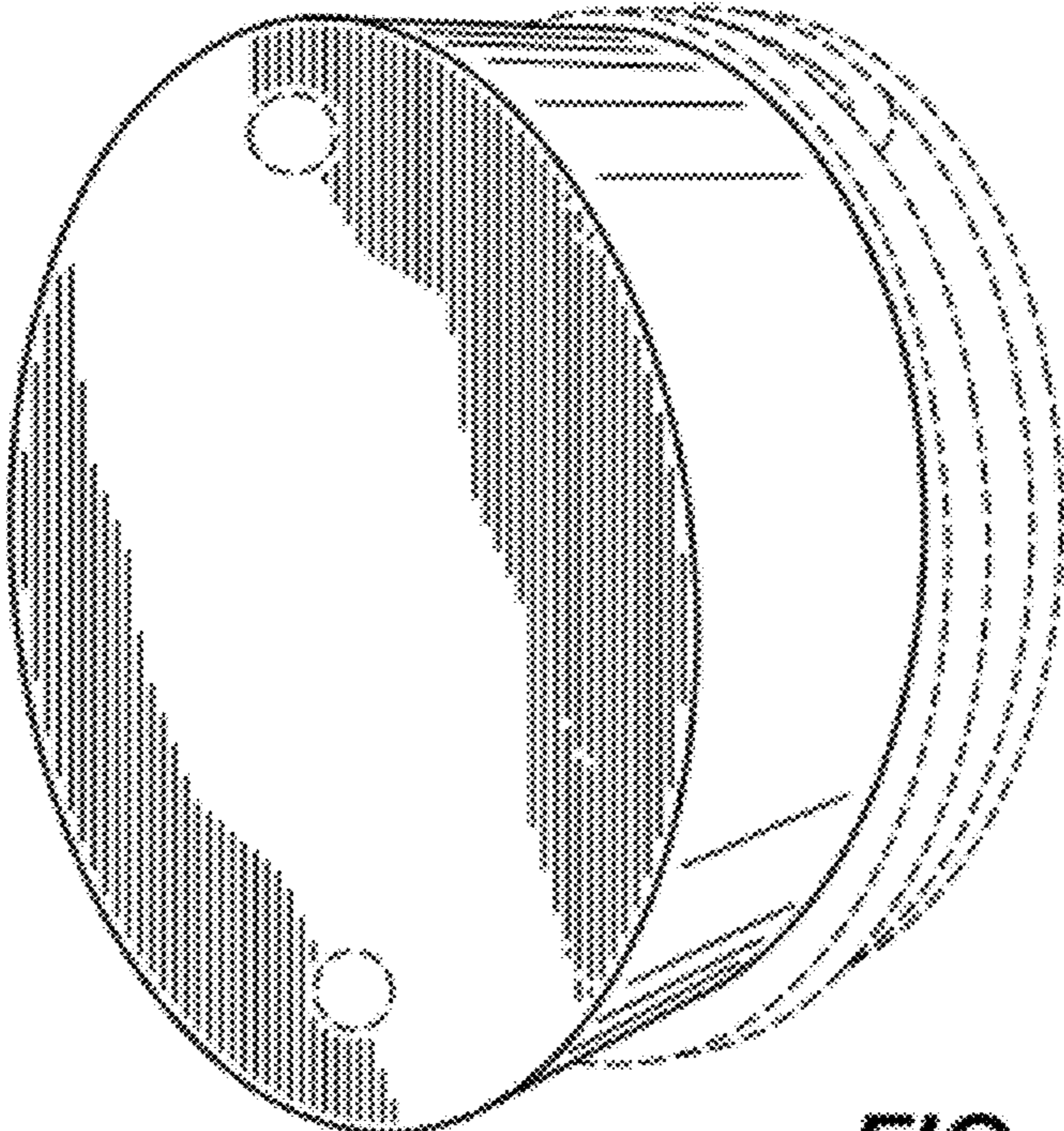


FIG. 1

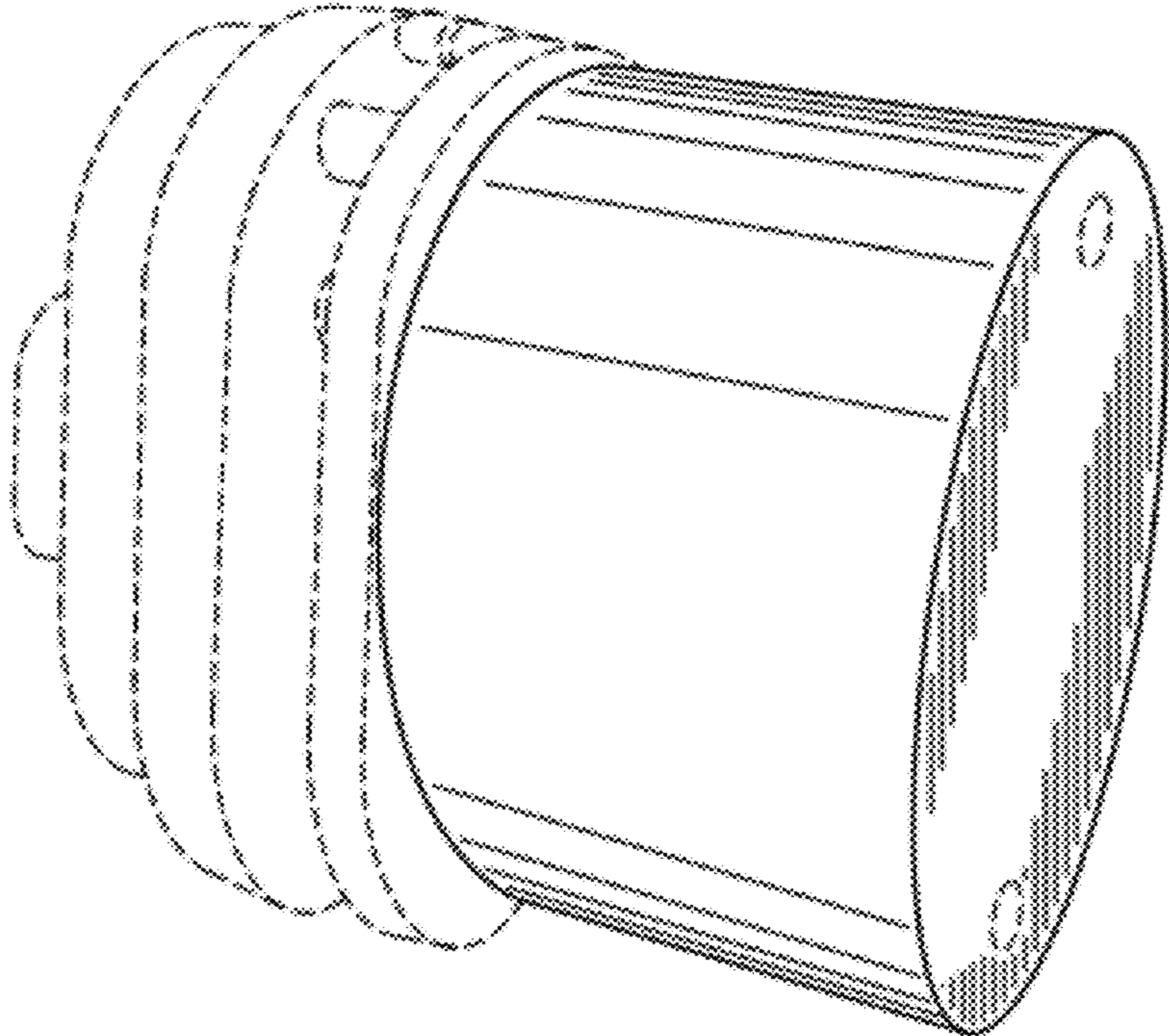


FIG. 2

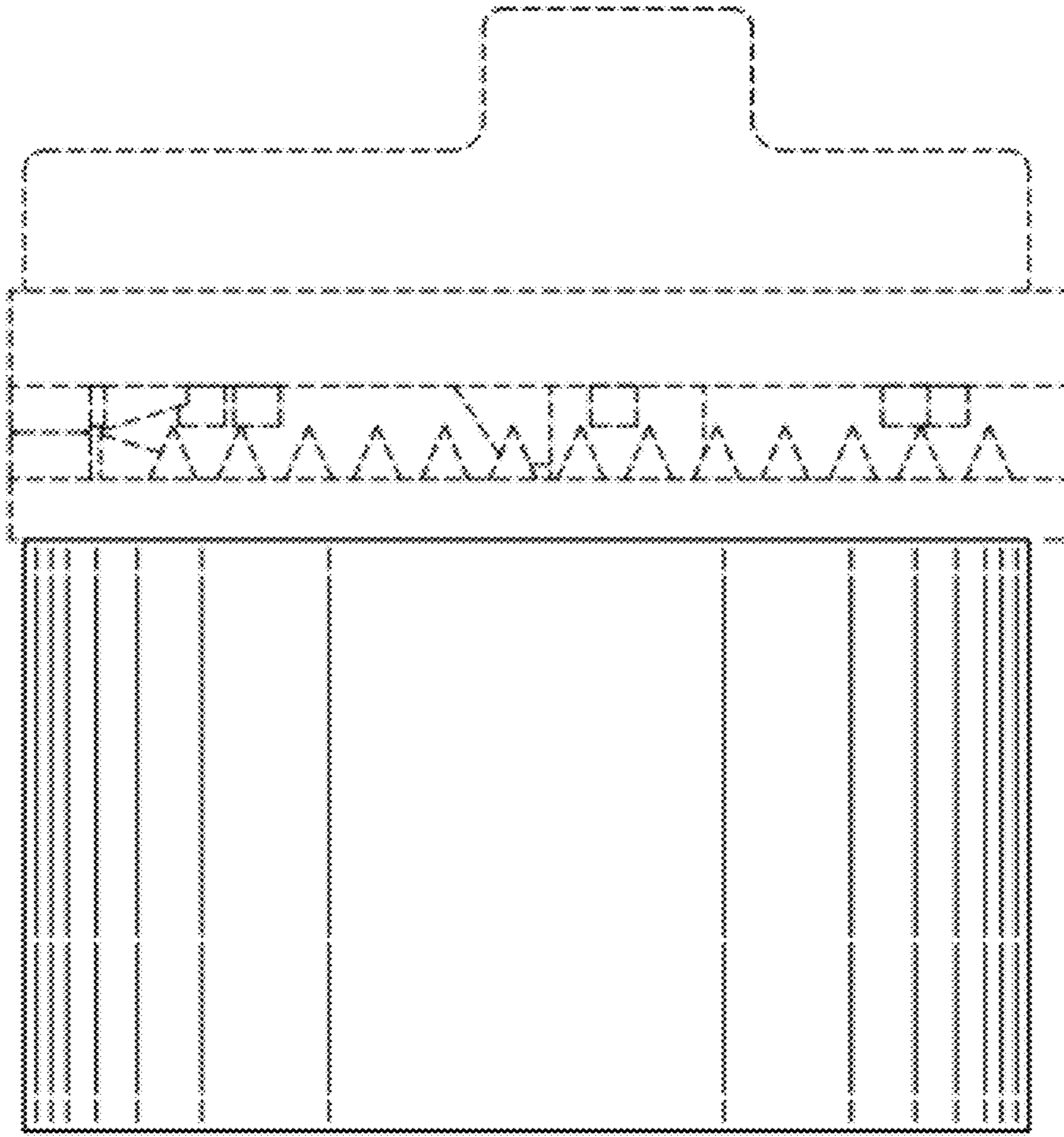


FIG. 4

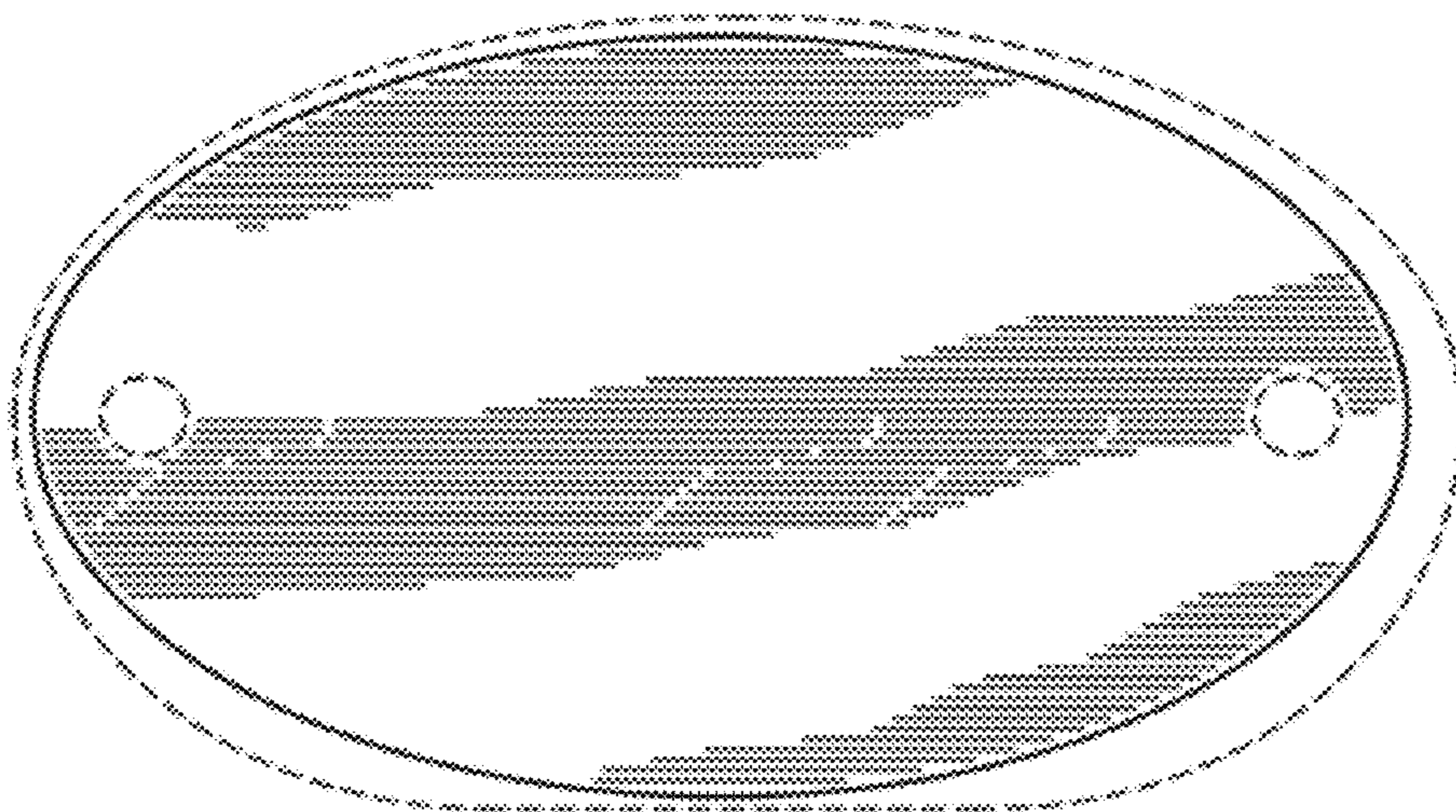


FIG. 3

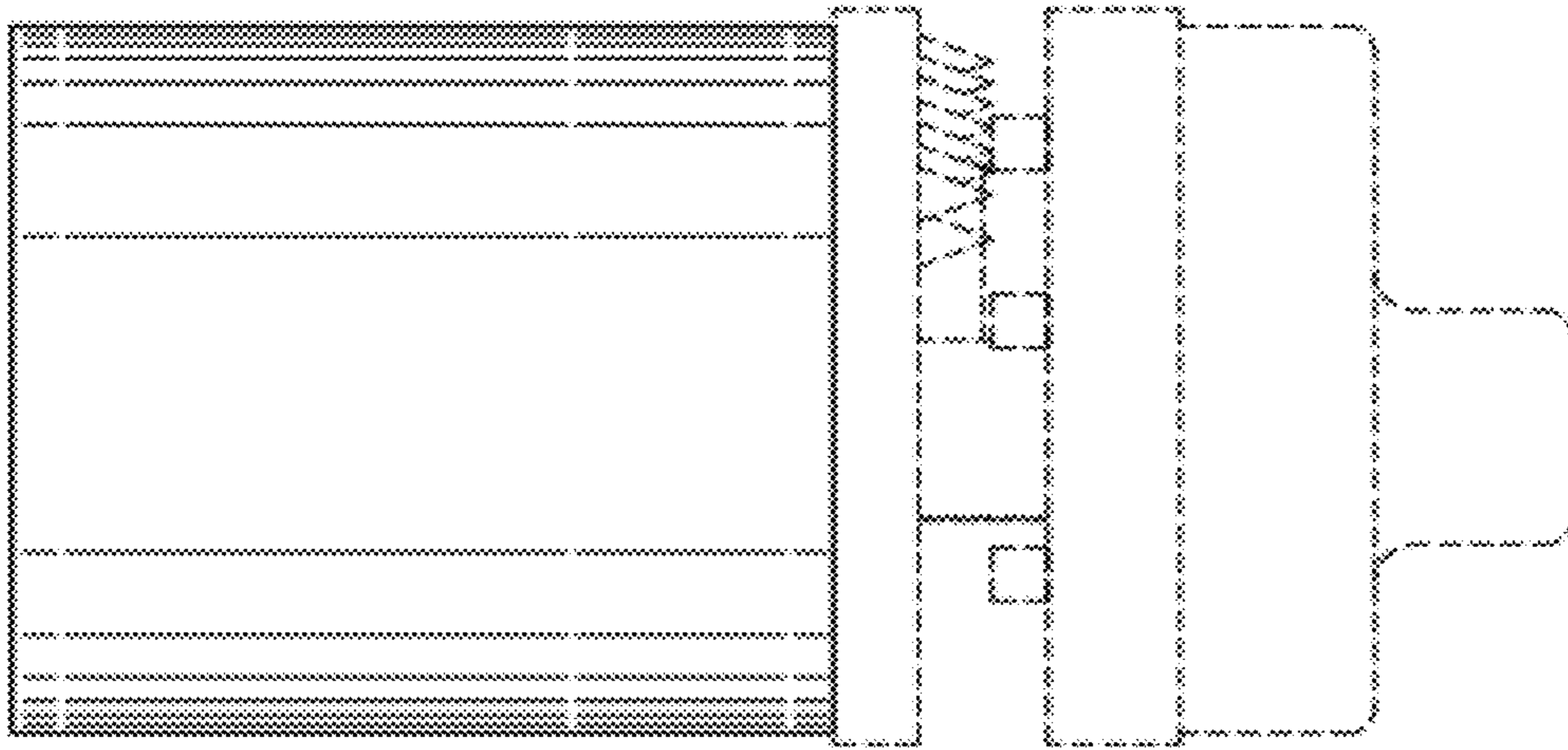


FIG. 6

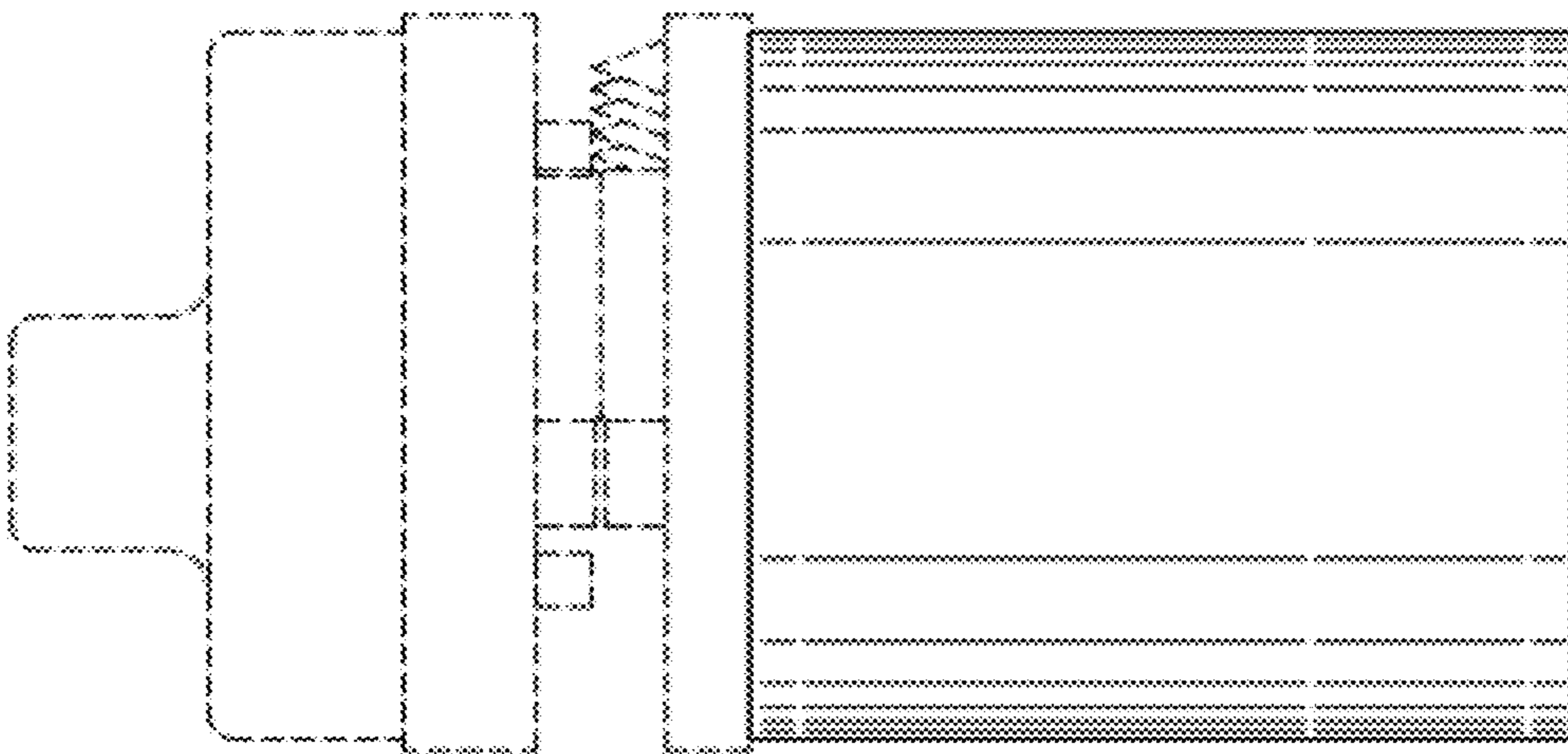


FIG. 5

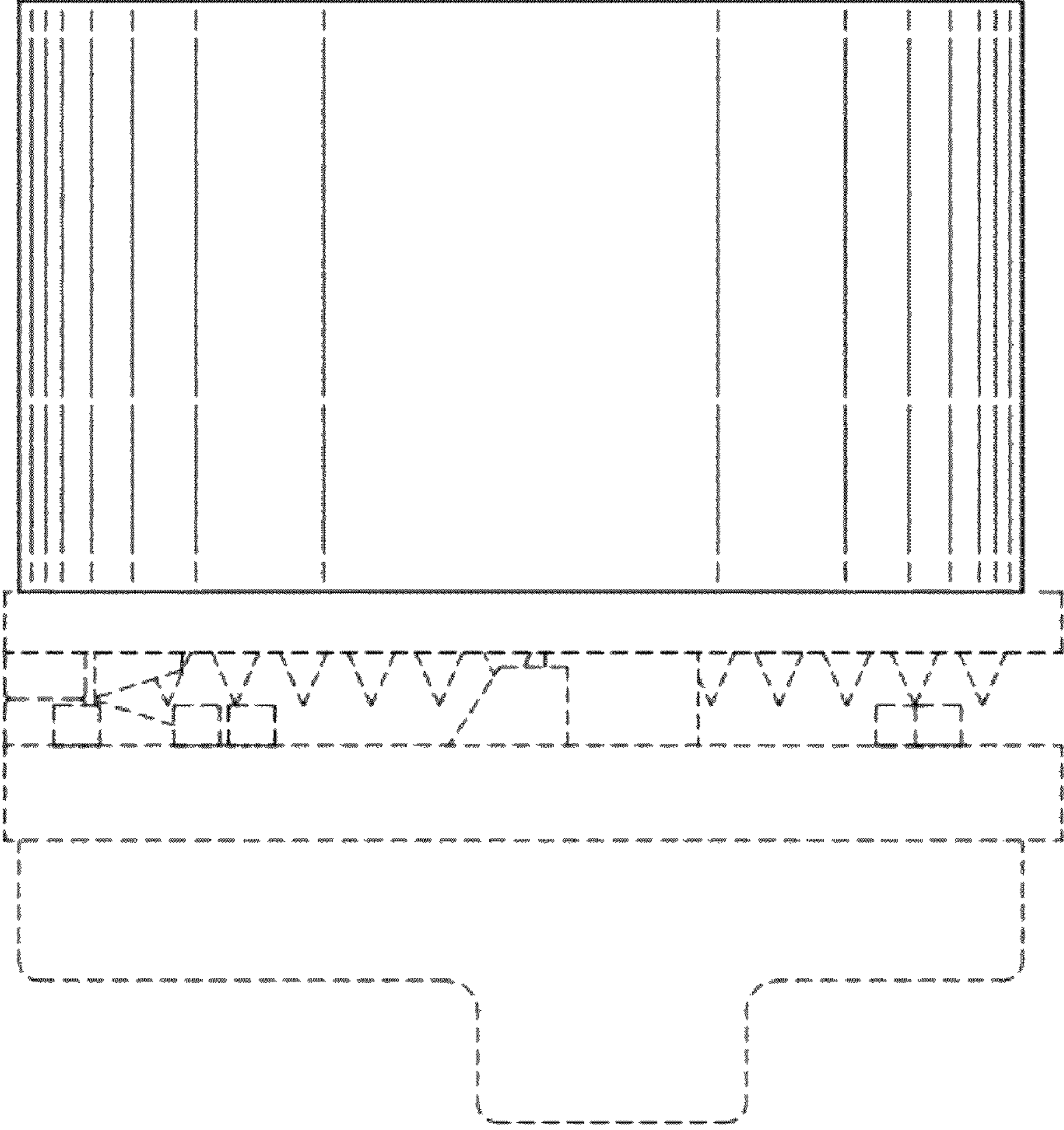


FIG. 7