



US00D659787S

(12) **United States Design Patent**
Balareta et al.

(10) **Patent No.:** **US D659,787 S**

(45) **Date of Patent:** **** May 15, 2012**

- (54) **SHOT TRACKING DEVICE**
- (75) Inventors: **Joseph Balareta**, Encinitas, CA (US);
Scott Denton, Carlsbad, CA (US)
- (73) Assignee: **Callaway Golf Company**, Carlsbad, CA (US)
- (**) Term: **14 Years**

5,582,554 A *	12/1996	Stryczek	473/407
5,820,484 A *	10/1998	Terry	473/356
D412,860 S *	8/1999	Maher	D21/789
5,952,921 A *	9/1999	Donnelly	340/568.6
D420,085 S *	2/2000	Bernatz	D21/794
D422,234 S *	4/2000	Artuz, Jr.	D10/104.1
D488,847 S *	4/2004	Miller	D21/789
D516,656 S *	3/2006	Hoffman et al.	D21/789
D538,872 S *	3/2007	Machado	D21/789
2004/0142766 A1 *	7/2004	Savarese et al.	473/353

* cited by examiner

(21) Appl. No.: **29/379,751**

Primary Examiner — Mitchell Siegel

(22) Filed: **Nov. 23, 2010**

(74) *Attorney, Agent, or Firm* — Michael A. Catania;
Rebecca Hanovice; Sonia Lari

(51) **LOC (9) Cl.** **21-02**

(52) **U.S. Cl.** **D21/789**

(58) **Field of Classification Search** D21/754-756,
D21/789, 791, 793, 794; 473/404, 406, 407,
473/353, 356; D10/104, 104.1, 68

See application file for complete search history.

(57) **CLAIM**

The ornamental design for a shot tracking device, as shown and described.

DESCRIPTION

(56) **References Cited**

FIG. 1 is a perspective view of a shot tracking device as claimed herein;

FIG. 2 is a top plan view thereof;

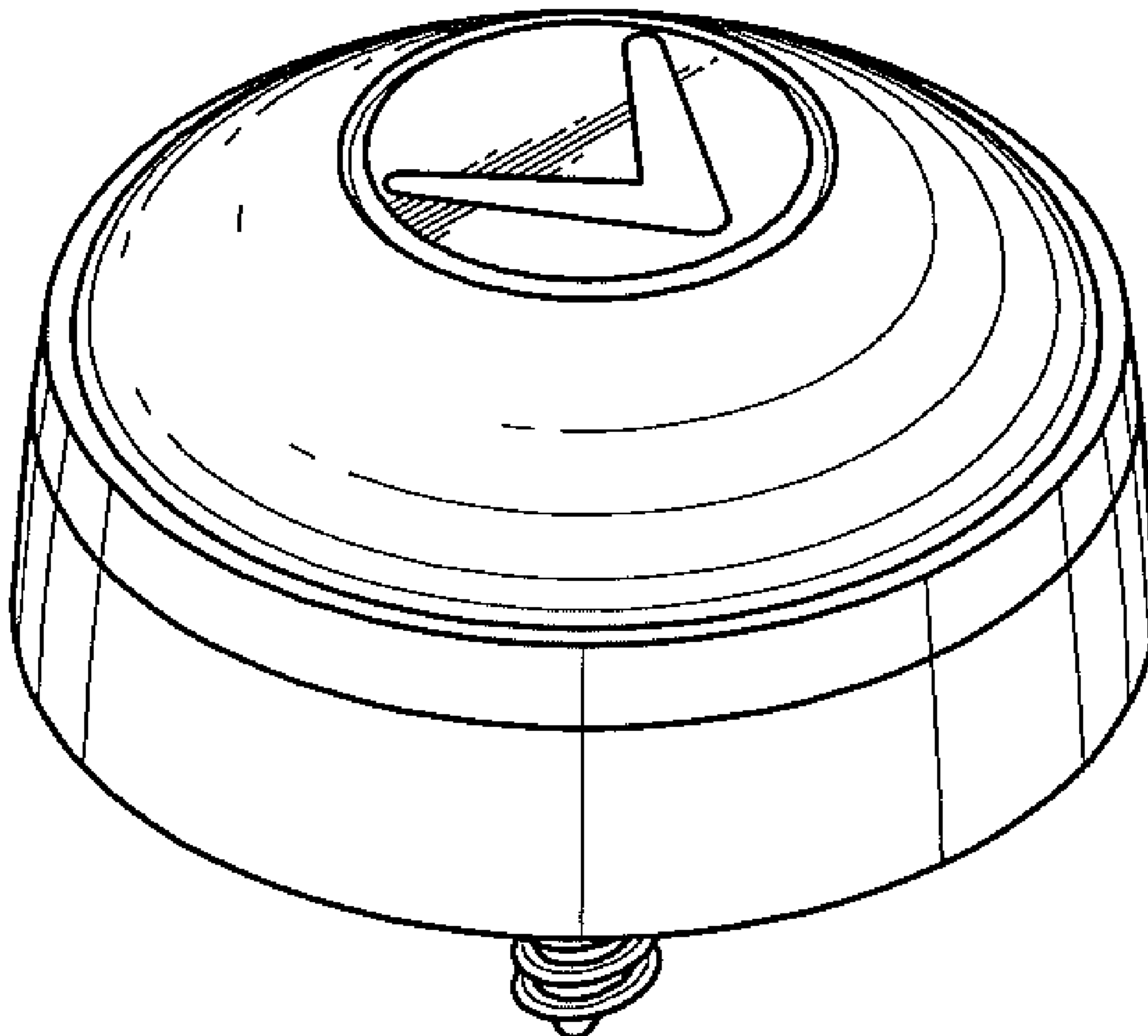
FIG. 3 is a bottom plan view thereof; and,

FIG. 4 is a side elevational view thereof.

U.S. PATENT DOCUMENTS

D266,445 S *	10/1982	Yokotaki	D21/794
D319,278 S *	8/1991	Tosti	D21/756
5,476,258 A *	12/1995	Frisone	473/404
D375,268 S *	11/1996	Stryczek	D21/793

1 Claim, 1 Drawing Sheet



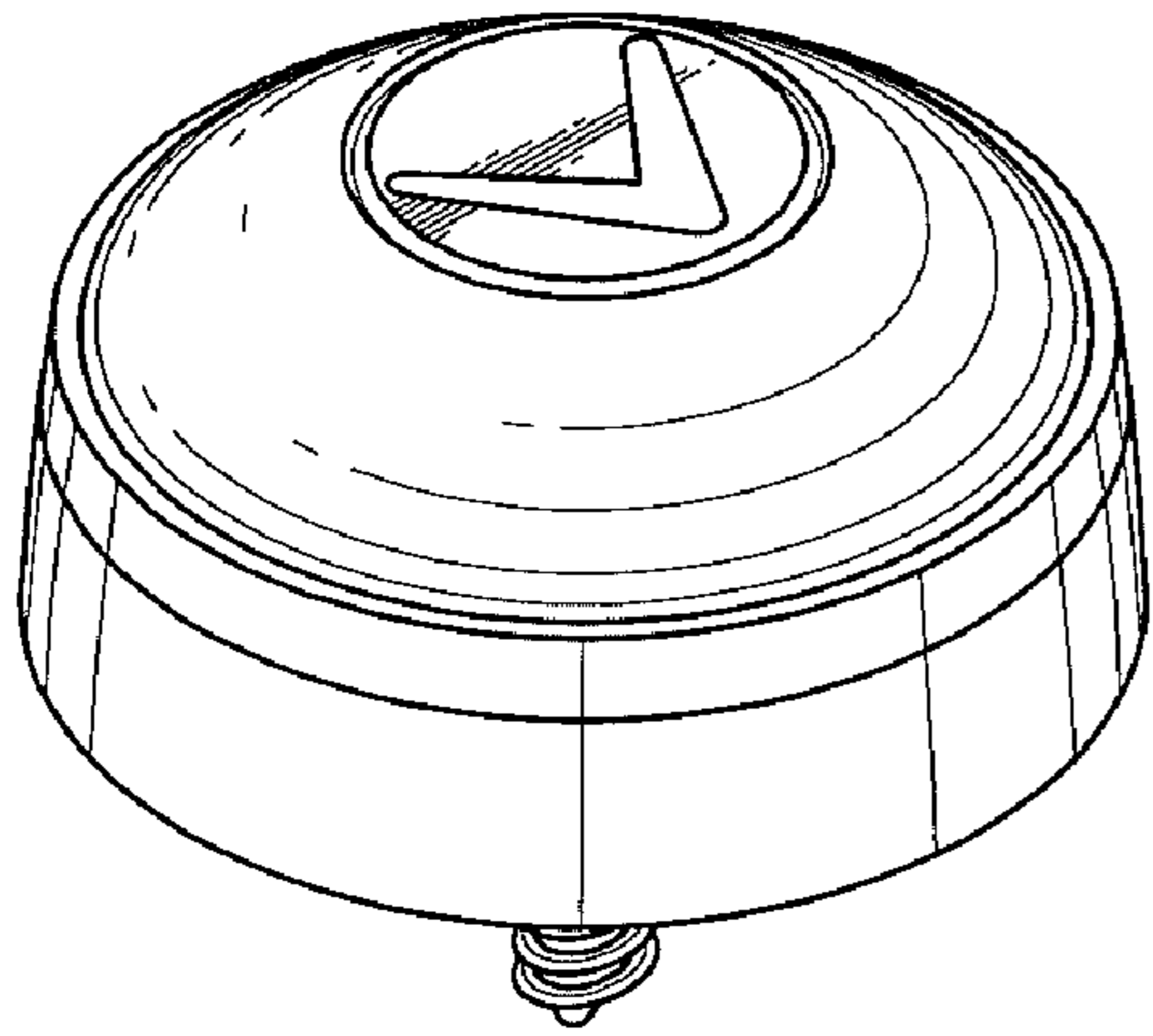


FIG. 1

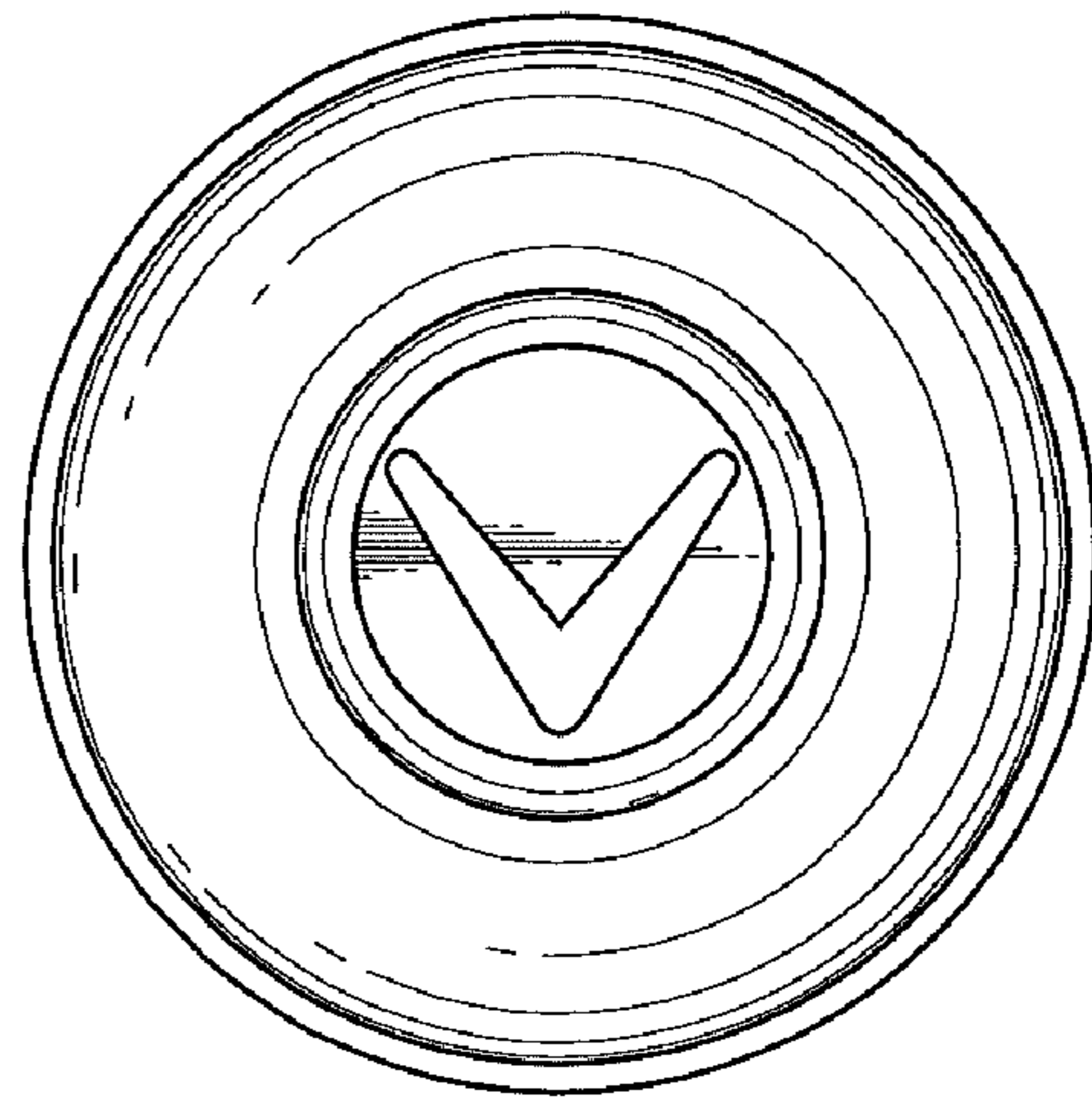


FIG. 2

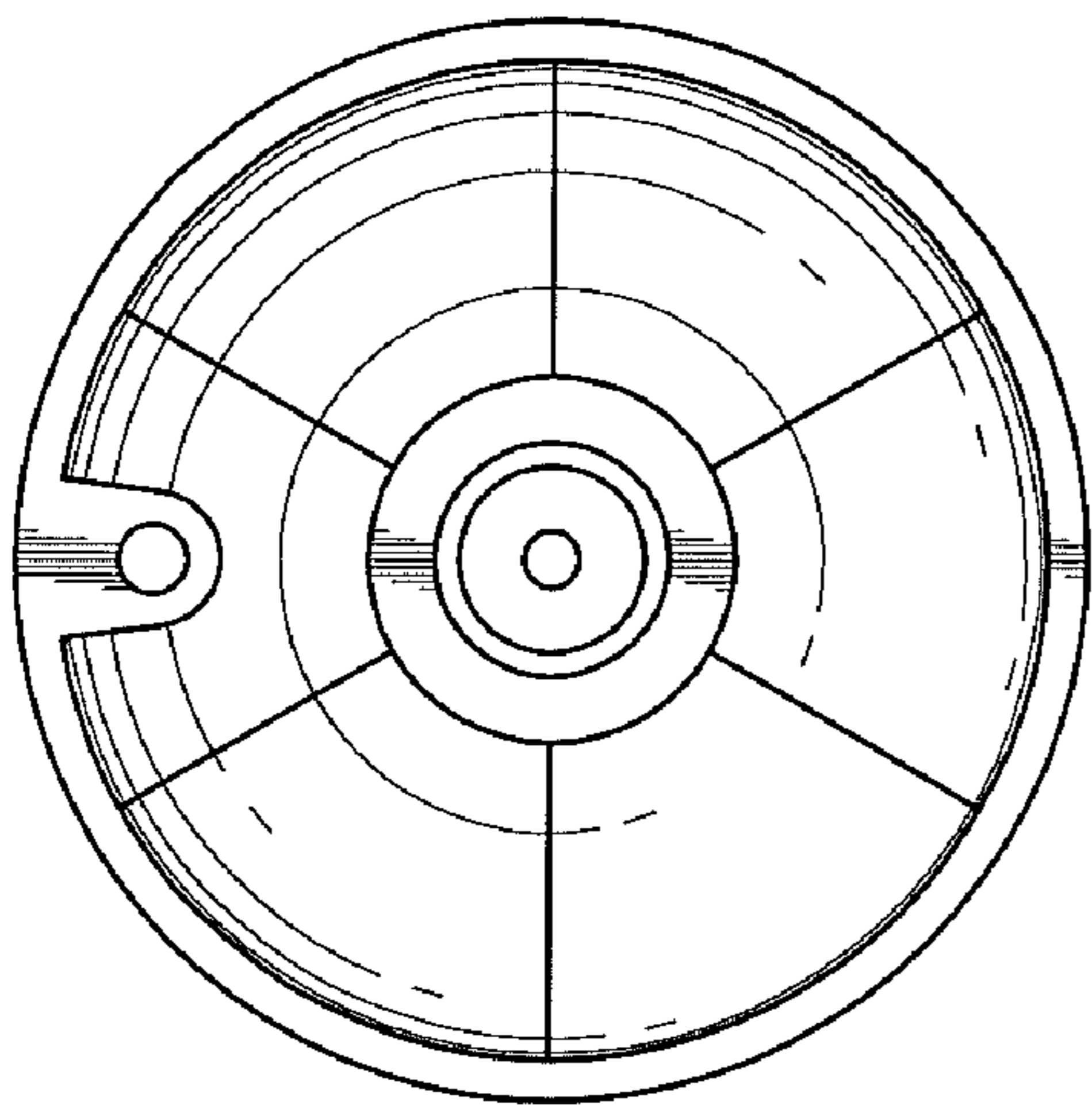


FIG. 3

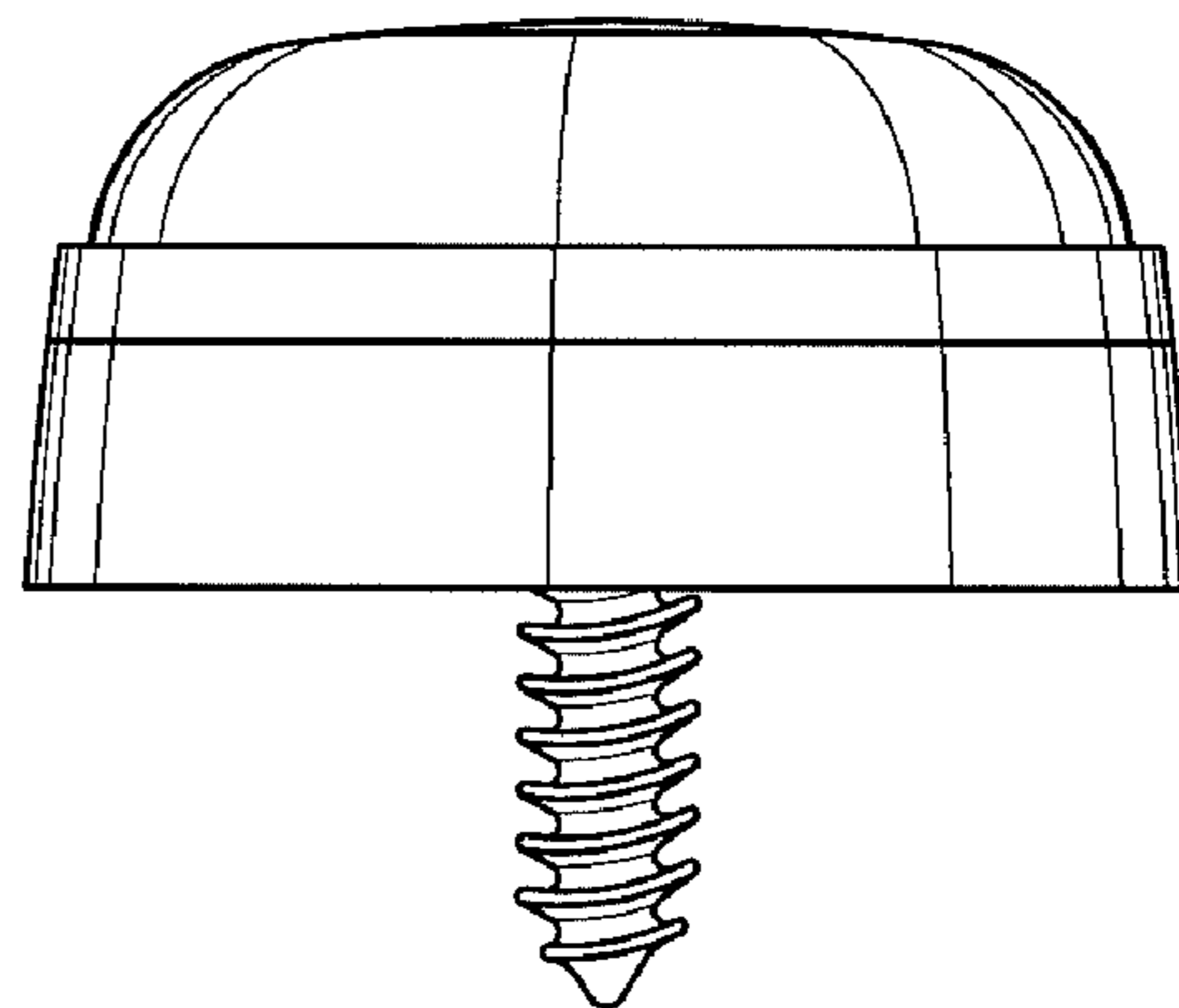


FIG. 4