



US00D659785S

(12) **United States Design Patent**
Hatt

(10) **Patent No.:** **US D659,785 S**

(45) **Date of Patent:** **** May 15, 2012**

(54) **MANUAL BOWLING PIN LIFT SHIFTER**

(76) Inventor: **James T. Hatt**, Oklahoma City, OK (US)

(**) Term: **14 Years**

(21) Appl. No.: **29/373,867**

(22) Filed: **Jun. 1, 2011**

(51) **LOC (9) Cl.** **21-01**

(52) **U.S. Cl.** **D21/786**

(58) **Field of Classification Search** D21/785,
D21/786; 473/54, 57, 64, 69, 73, 86, 93,
473/94, 118

See application file for complete search history.

(56) **References Cited**

U.S. PATENT DOCUMENTS

3,116,063	A *	12/1963	Miller	473/73
3,138,378	A *	6/1964	Krollman	473/57
D233,997	S *	12/1974	Schalitz	D21/786
D233,998	S *	12/1974	Schalitz	D21/786
D309,917	S	8/1990	Beirise		
D338,700	S	8/1993	Webb		
5,569,092	A *	10/1996	Rocheport	473/73
5,616,084	A *	4/1997	Heddon et al.	473/73

6,358,155	B1 *	3/2002	Huhne	473/73
6,524,192	B1	2/2003	Tsujita		
8,066,579	B2 *	11/2011	Uto	473/73

* cited by examiner

Primary Examiner — Prabhakar Deshmukh

(74) *Attorney, Agent, or Firm* — Ronald D. Homburg

(57) **CLAIM**

The ornamental design for a manual bowling pin lift shifter, as shown and described.

DESCRIPTION

FIG. 1 is a perspective view of a manual bowling pin lift shifter showing my new design, shown in its environmental use;

FIG. 2 is a top plan view thereof;

FIG. 3 is a bottom plan view thereof;

FIG. 4 is a rear elevational view thereof;

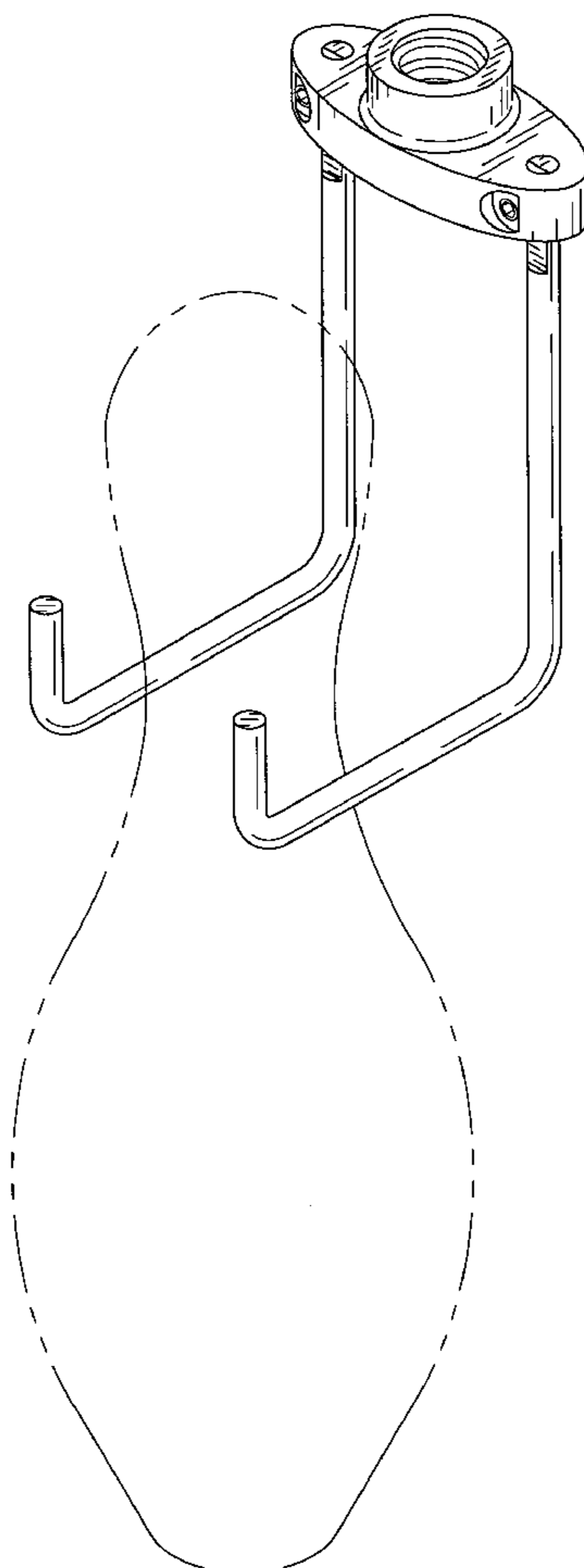
FIG. 5 is a front elevational view thereof;

FIG. 6 is a left side elevational view thereof; and,

FIG. 7 is a right side elevational view thereof.

The broken lines environment is for illustrative purpose only and forms no part of the claimed design.

1 Claim, 3 Drawing Sheets



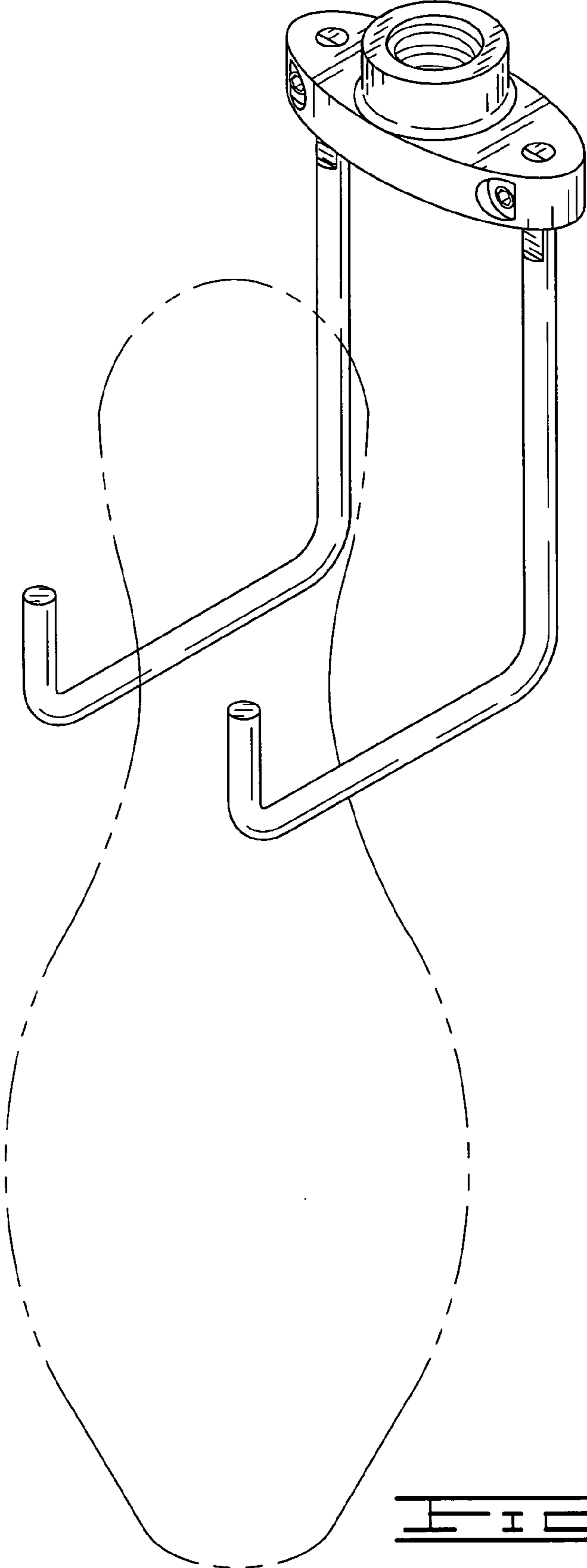


FIG. 1

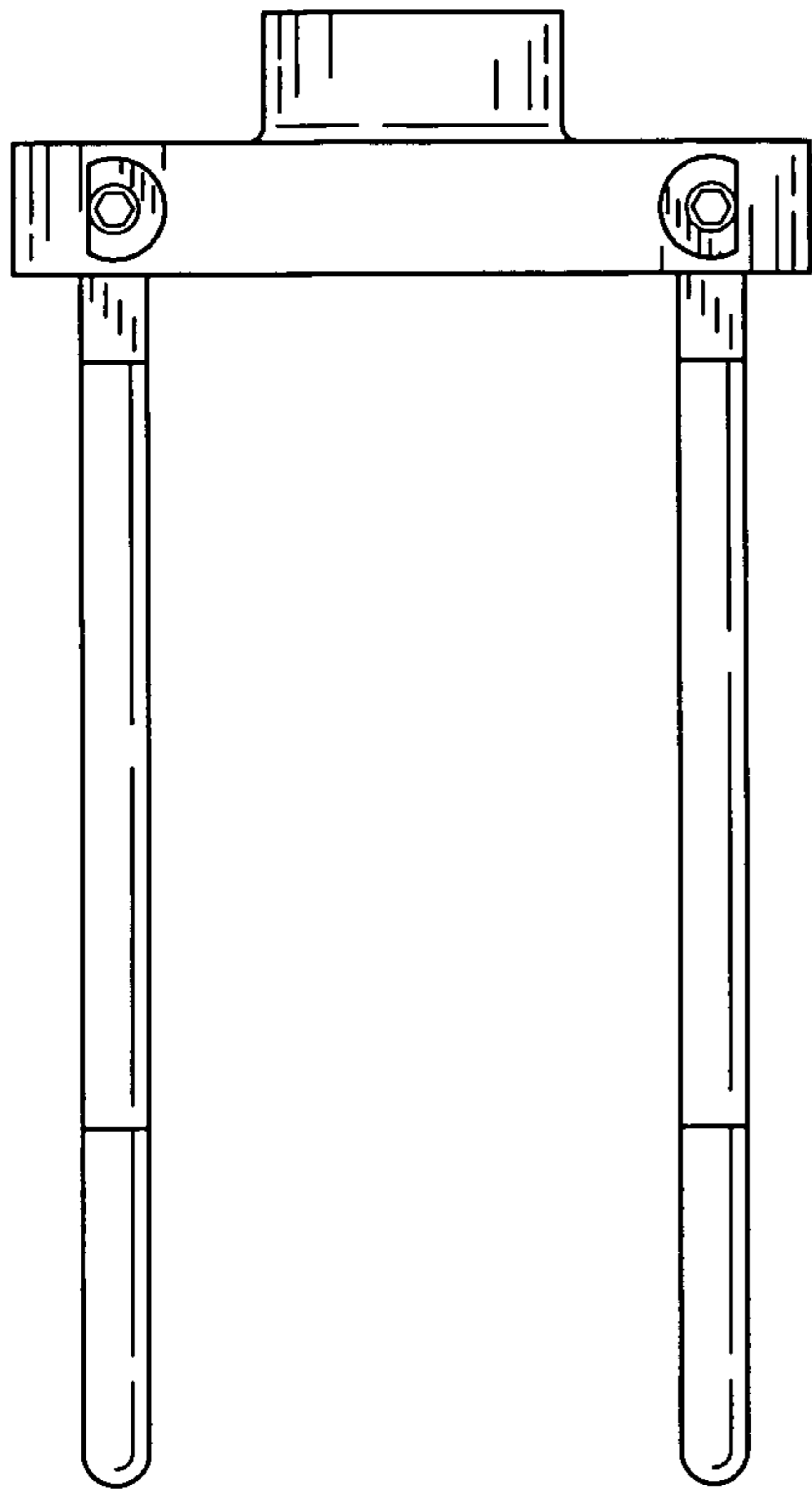


FIG. 2

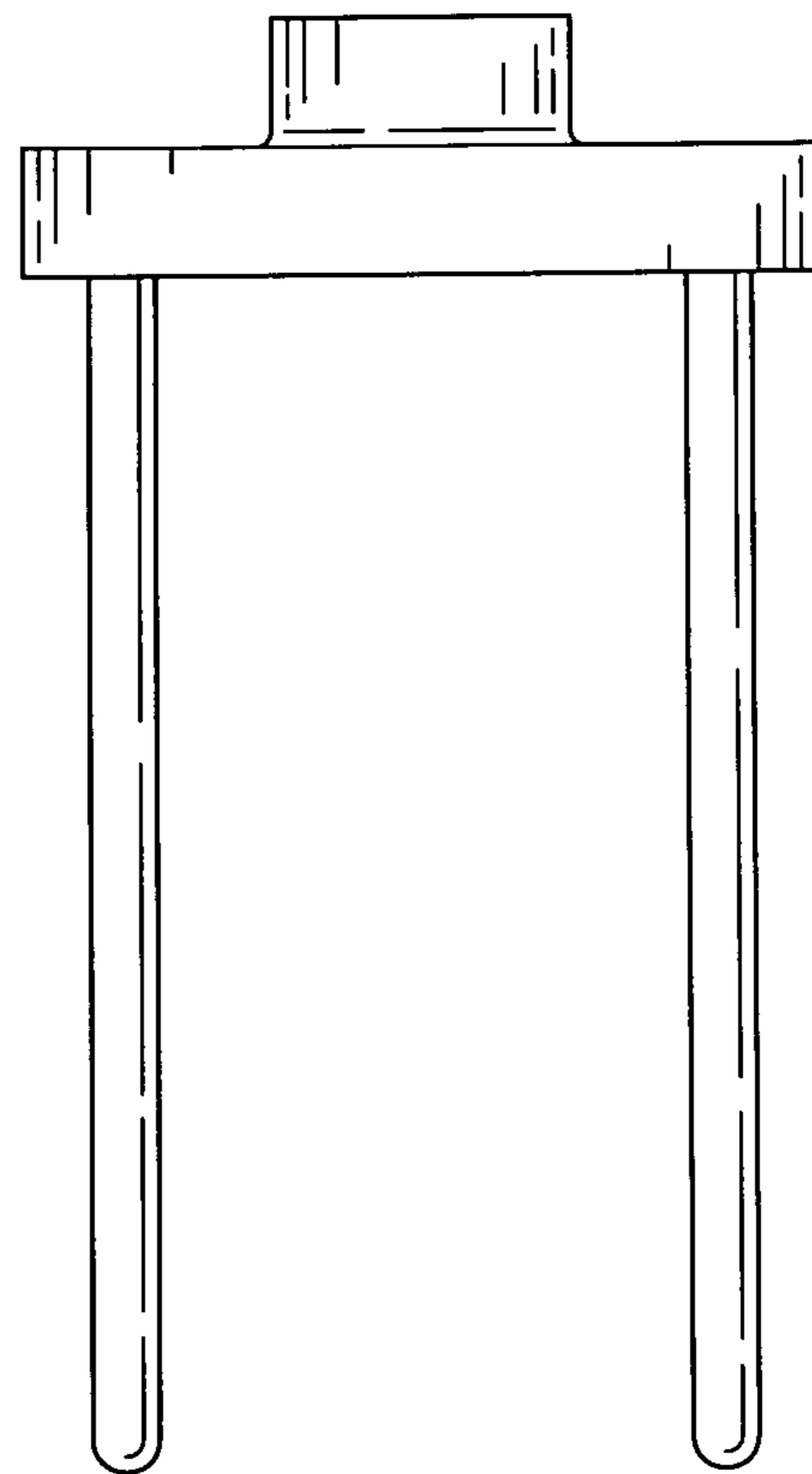


FIG. 3

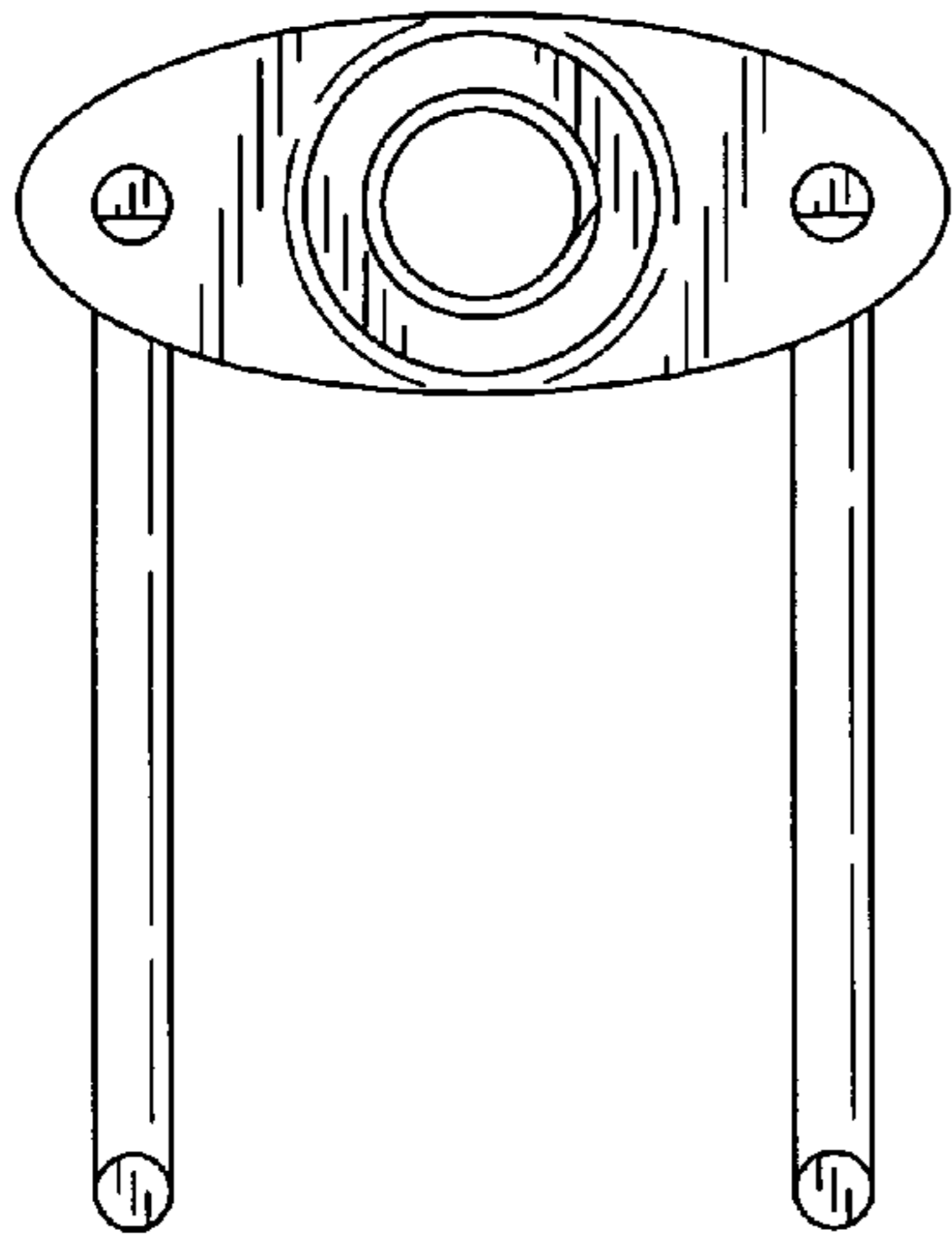


FIG. 4

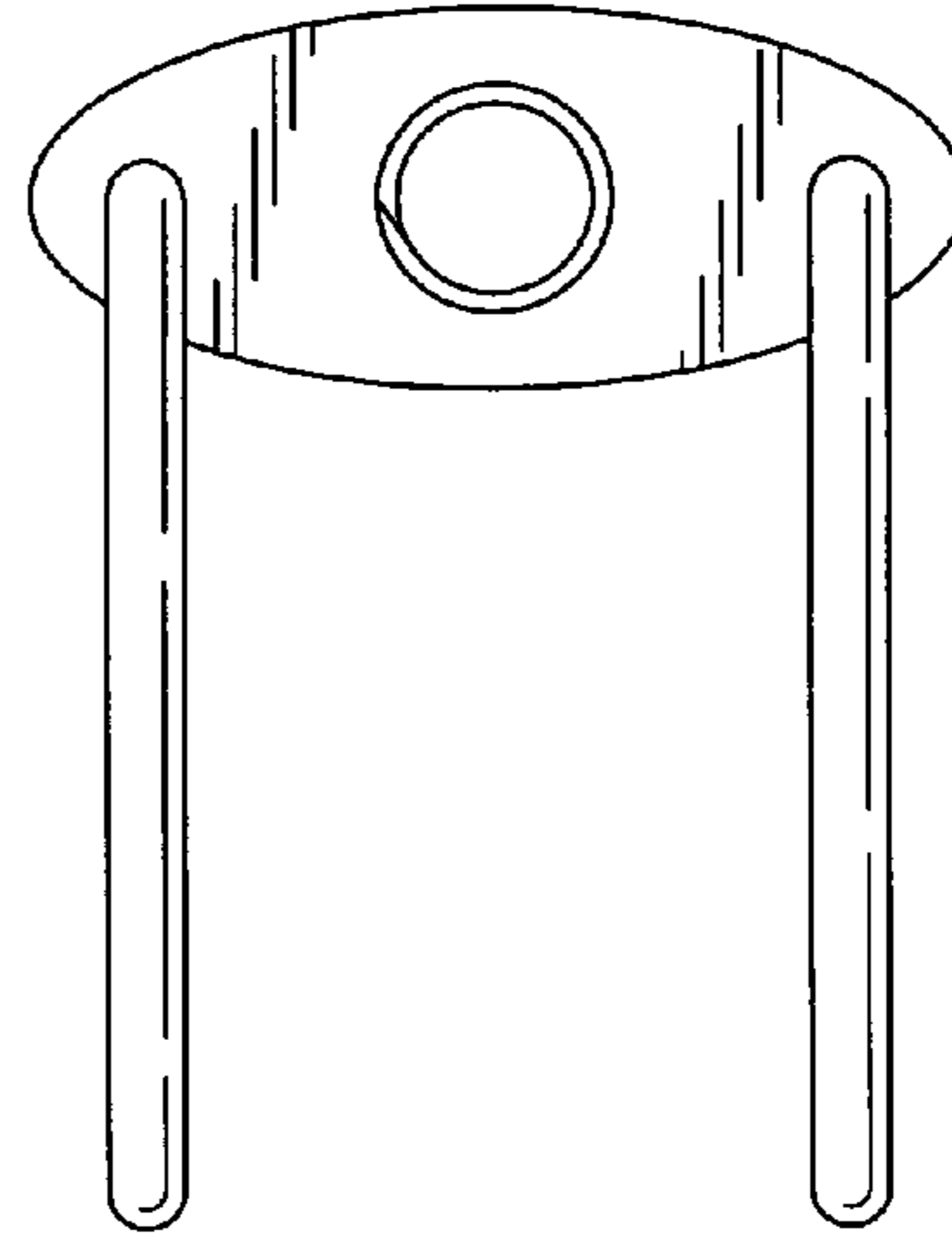


FIG. 5

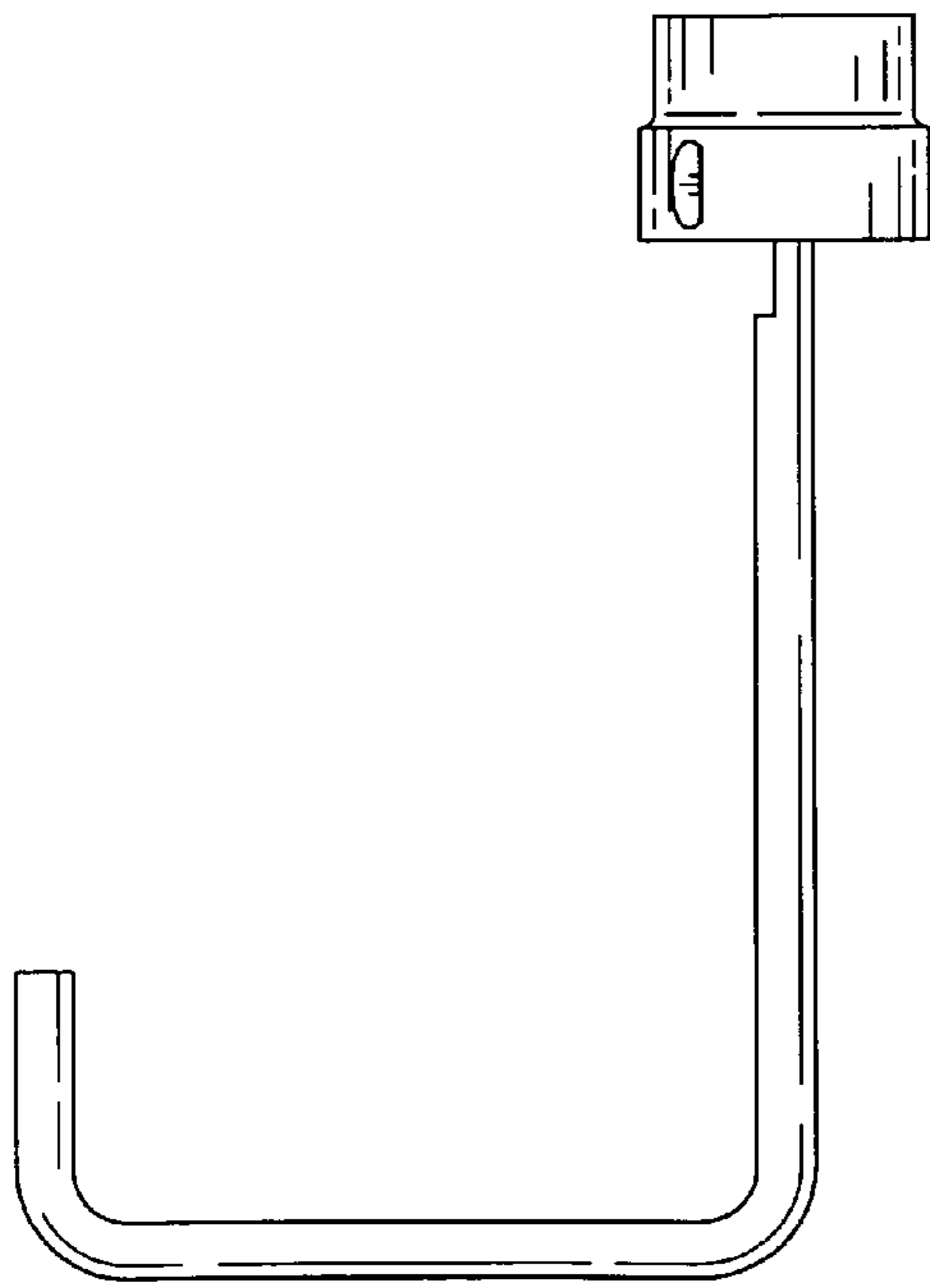


FIG. 6

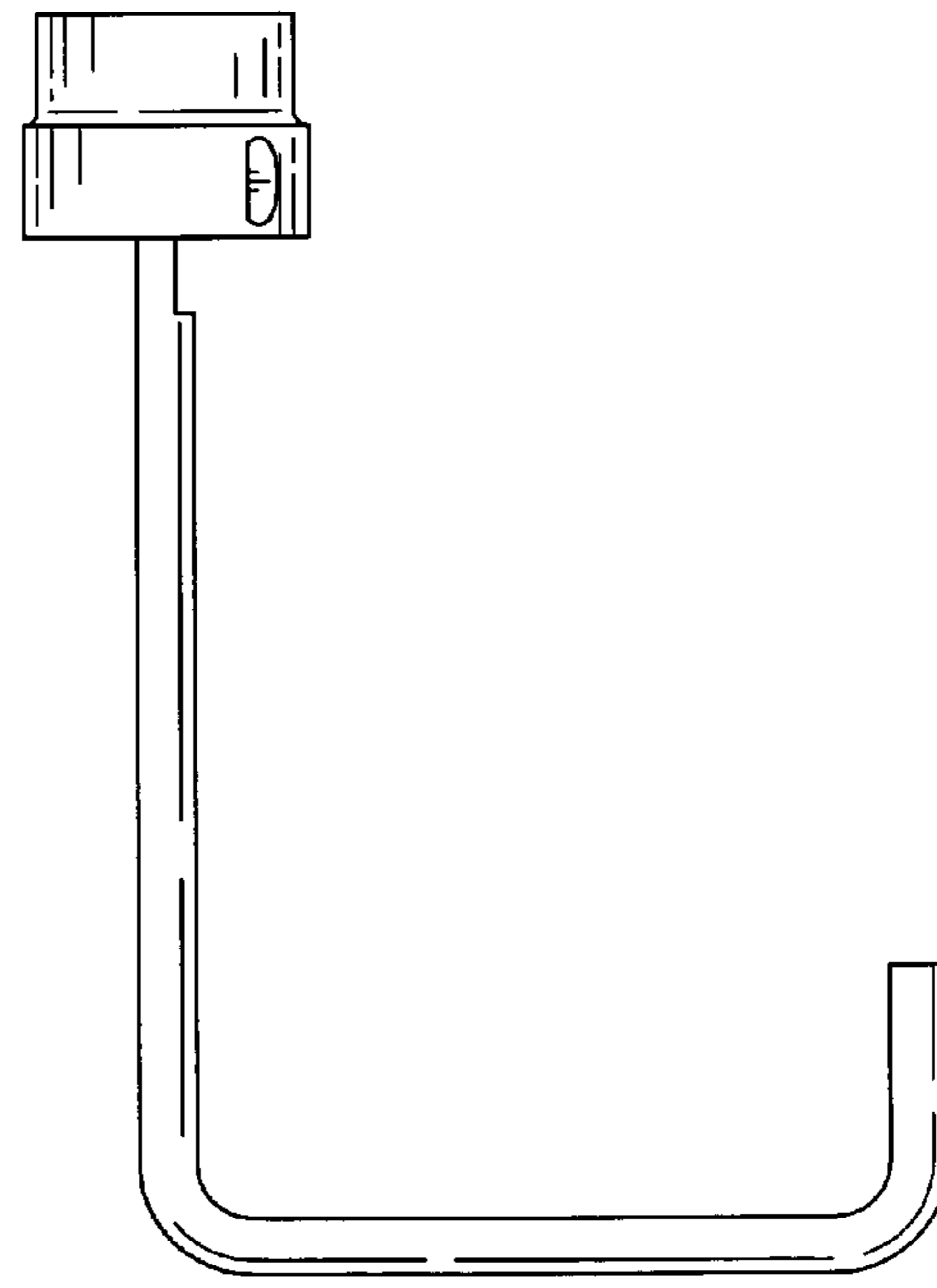


FIG. 7