



US00D659784S

(12) **United States Design Patent**  
**Dolezel et al.**

(10) **Patent No.:** **US D659,784 S**

(45) **Date of Patent:** **\*\* May 15, 2012**

(54) **GOLF CLUB HEAD**

(75) Inventors: **Keith F. Dolezel**, Covina, CA (US);  
**Sharon J. Park**, Irvine, CA (US);  
**Matthew R. Daraskavich**, Huntington  
Beach, CA (US); **Ryan J. A. Ritchie**,  
Huntington Beach, CA (US)

(73) Assignee: **SRI Sports Limited**, Kobe-shi (JP)

(\*\*) Term: **14 Years**

(21) Appl. No.: **29/400,381**

(22) Filed: **Aug. 26, 2011**

(51) **LOC (9) Cl.** ..... **21-02**

(52) **U.S. Cl.** ..... **D21/759**

(58) **Field of Classification Search** ..... D21/747-751,  
D21/759; 473/324-331, 350

See application file for complete search history.

(56) **References Cited**

**U.S. PATENT DOCUMENTS**

D115,217	S	*	6/1939	Newsome	.....	D21/747
D240,054	S	*	5/1976	Meissler	.....	D21/750
D256,148	S	*	7/1980	Jeghers	.....	D21/750
D302,716	S	*	8/1989	Giambazi	.....	D21/750
D327,931	S	*	7/1992	Stuff	.....	D21/751
D337,143	S	*	7/1993	Lo	.....	D21/750
D345,775	S	*	4/1994	Poincenot et al.	.....	D21/750
D357,520	S	*	4/1995	Helmstetter et al.	.....	D21/750
D362,884	S		10/1995	Blough et al.		
D362,885	S		10/1995	Blough et al.		
D368,753	S		4/1996	Blough et al.		
D370,514	S		6/1996	Blough et al.		
D399,276	S	*	10/1998	Hettinger et al.	.....	D21/747
D491,241	S	*	6/2004	Long	.....	D21/747
D516,649	S		3/2006	Imamoto		

D516,650	S		3/2006	Wolfe et al.		
D521,095	S	*	5/2006	Nagai et al.	.....	D21/759
D523,917	S		6/2006	Wolfe et al.		
D526,038	S	*	8/2006	Kelley	.....	D21/759
7,207,900	B2		4/2007	Nicolette et al.		
D584,371	S	*	1/2009	Chick et al.	.....	D21/759
D603,918	S	*	11/2009	Simon et al.	.....	D21/747
D606,607	S	*	12/2009	Cooper et al.	.....	D21/759
D620,063	S	*	7/2010	Llewellyn et al.	.....	D21/759
2010/0099511	A1		4/2010	Stites et al.		
2011/0021290	A1		1/2011	Kubota		

\* cited by examiner

*Primary Examiner* — Mitchell Siegel

(74) *Attorney, Agent, or Firm* — Oliff & Berridge, PLC

(57) **CLAIM**

The ornamental design for a golf club head, as shown and described.

**DESCRIPTION**

FIG. 1 is a front elevational view of a golf club embodying the inventive design.

FIG. 2 is a top plan view thereof.

FIG. 3 is a bottom plan view thereof.

FIG. 4 is a rear heel-side perspective view thereof.

FIG. 5 is a rear heel-side elevational view thereof showing further detail.

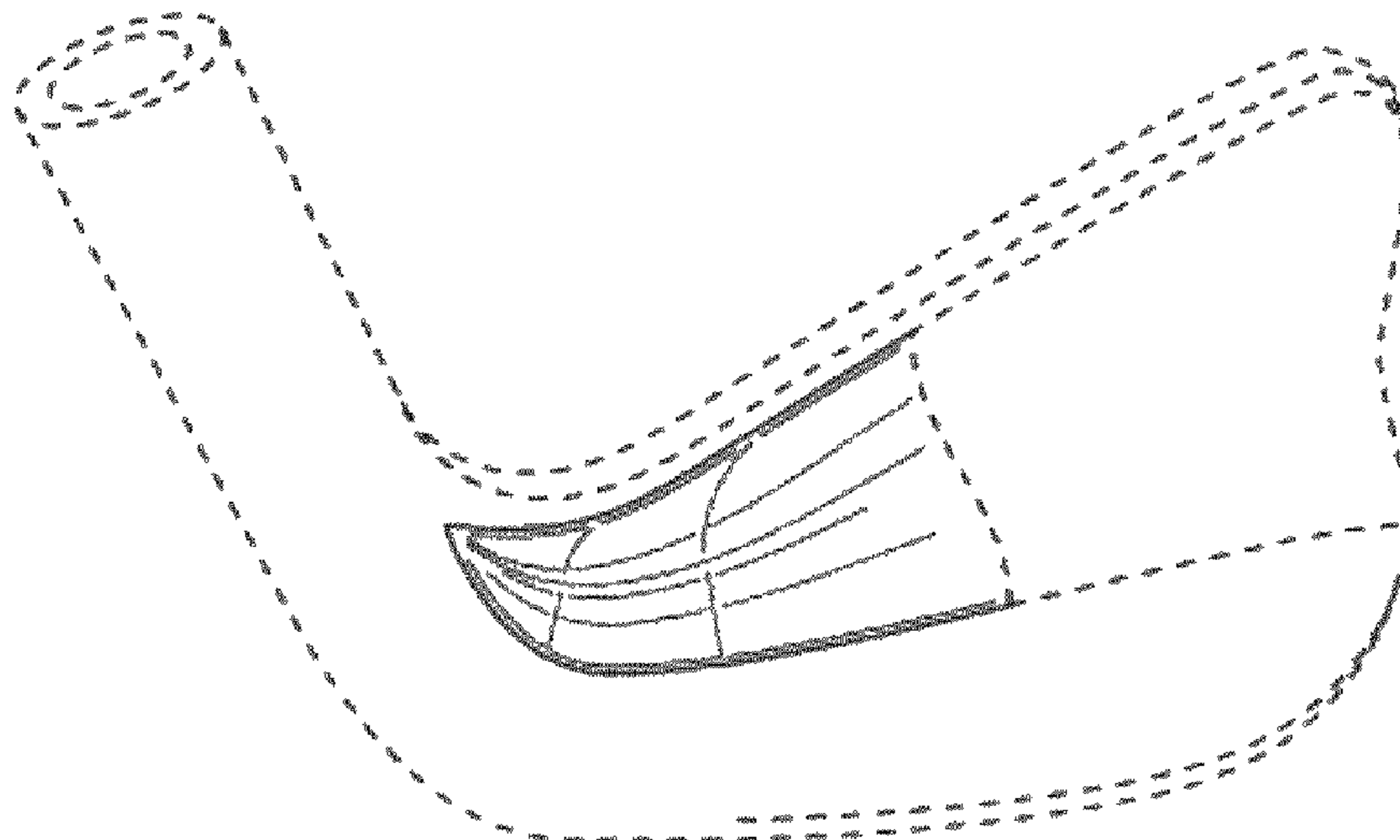
FIG. 6 is a rear toe-side perspective view thereof.

FIG. 7 is a rear elevational view thereof; and,

FIG. 8 is a heel-side elevational view thereof.

The broken lines immediately adjacent the shaded areas represent the bounds of the claimed design, while all other broken lines are directed to environment and are for illustrative purposes only; the broken lines form no part of the claimed design.

**1 Claim, 4 Drawing Sheets**



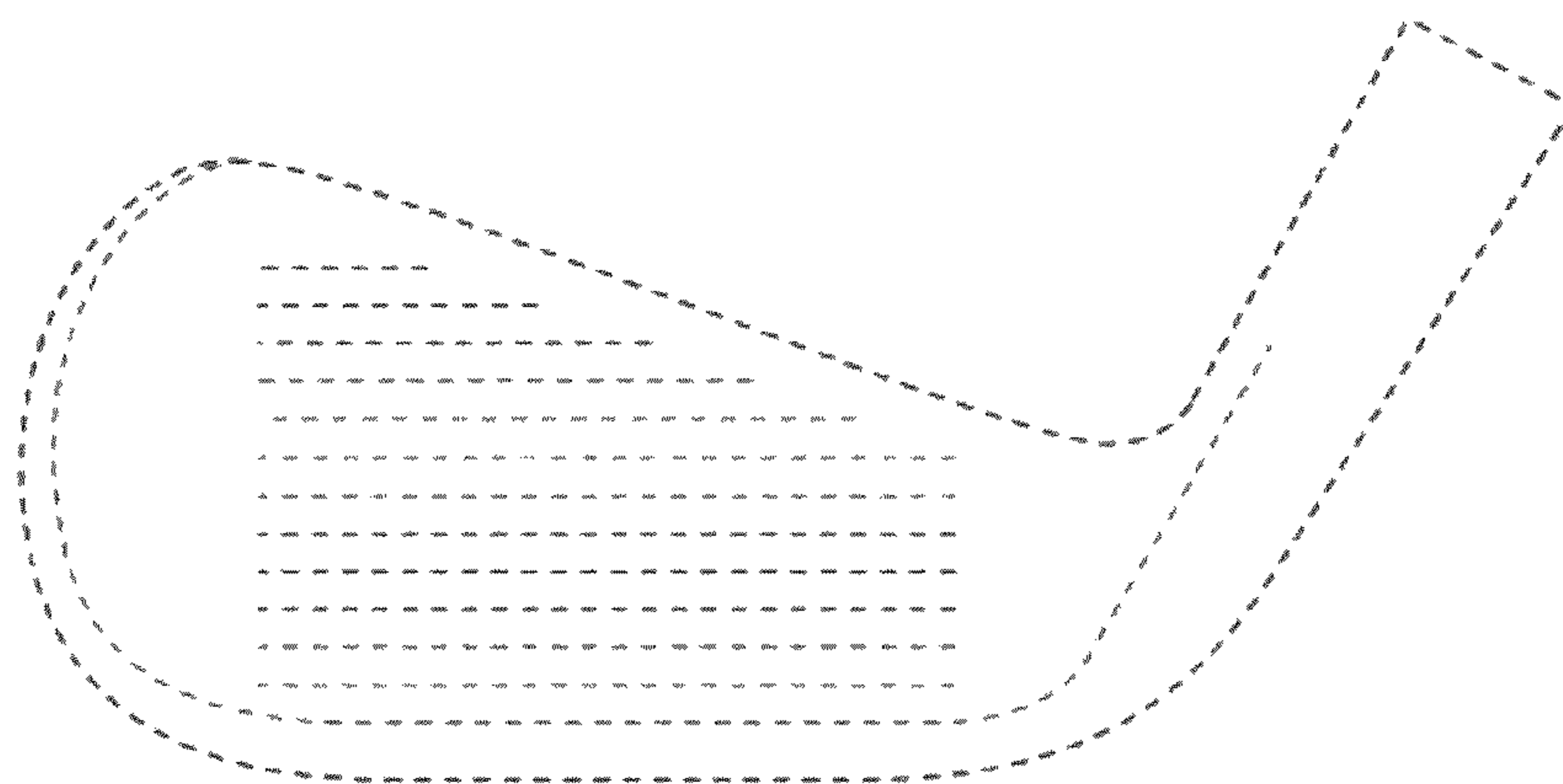


FIG. 1

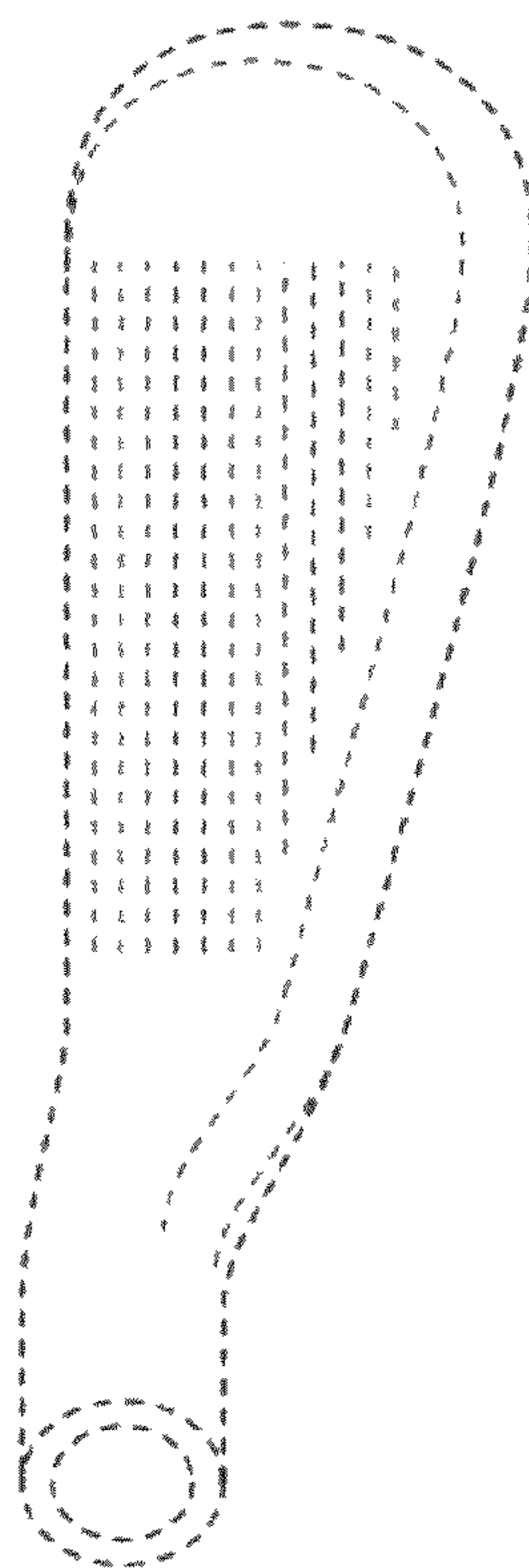


FIG. 2

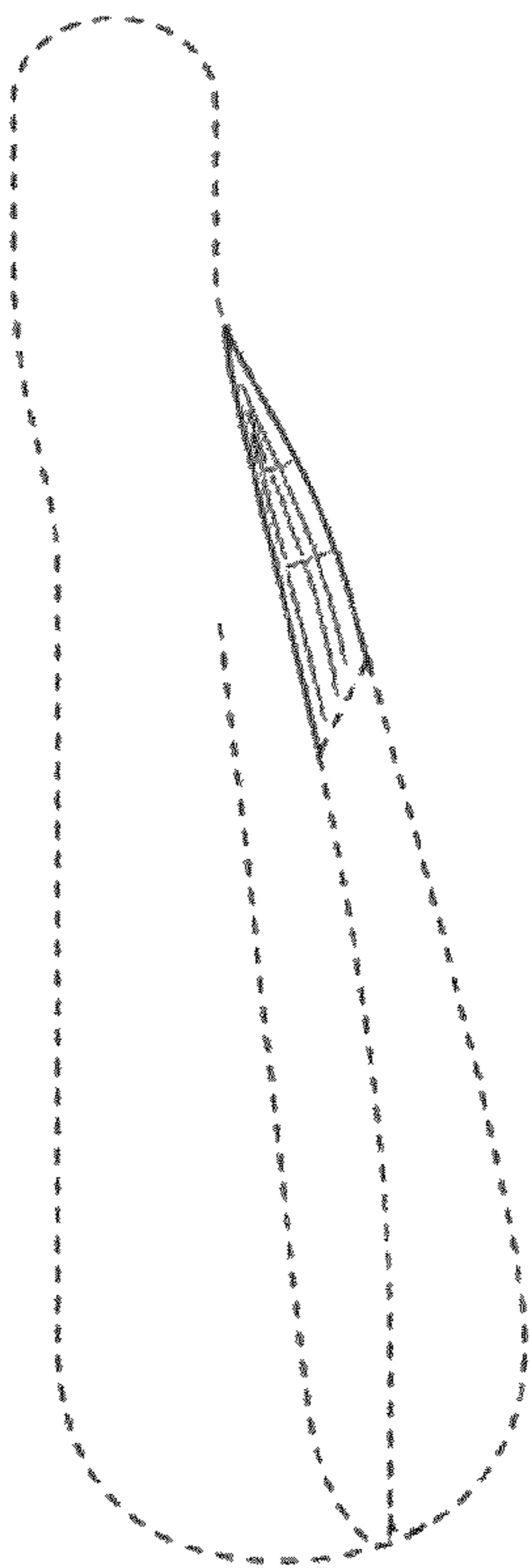


FIG. 3

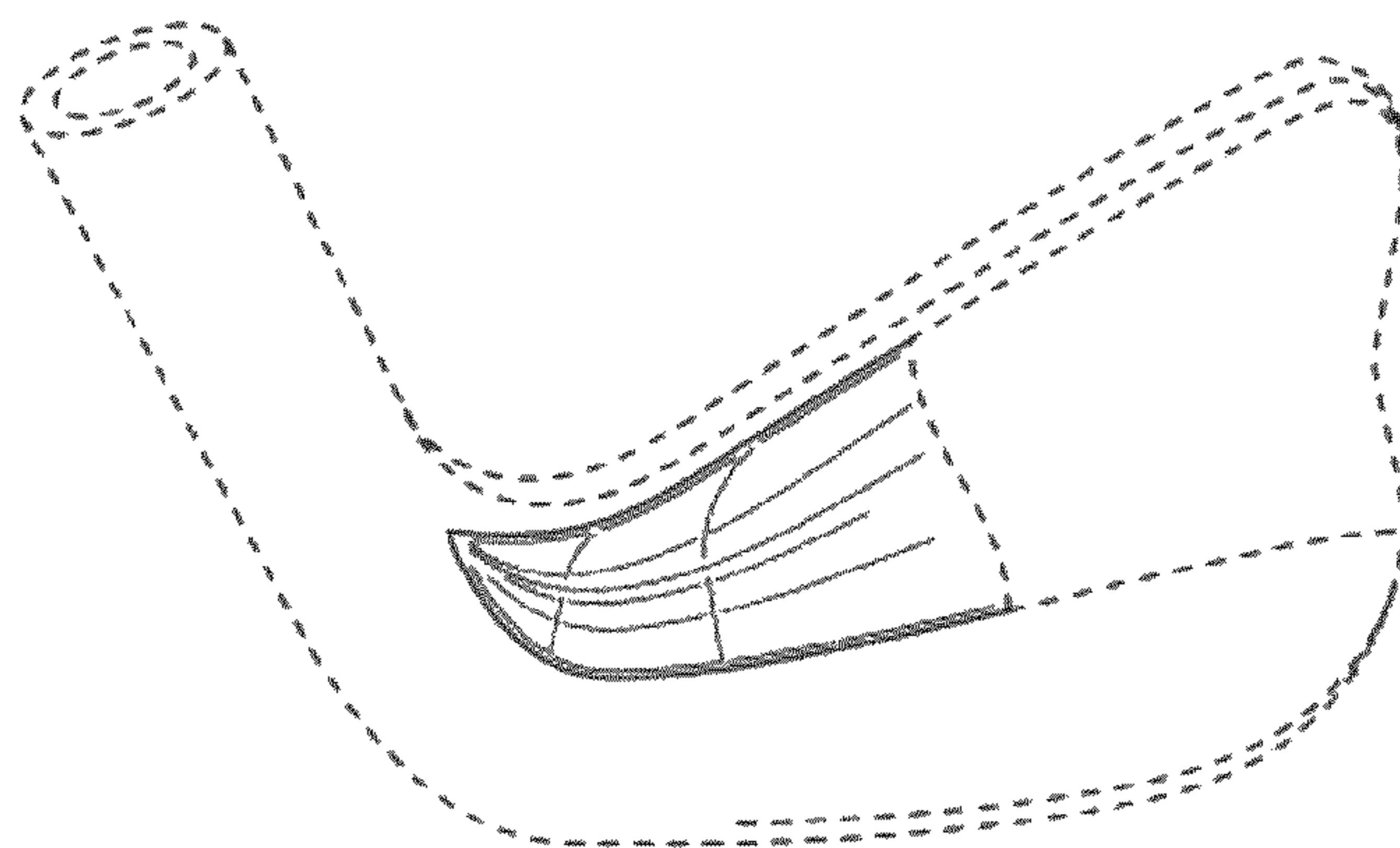


FIG. 4

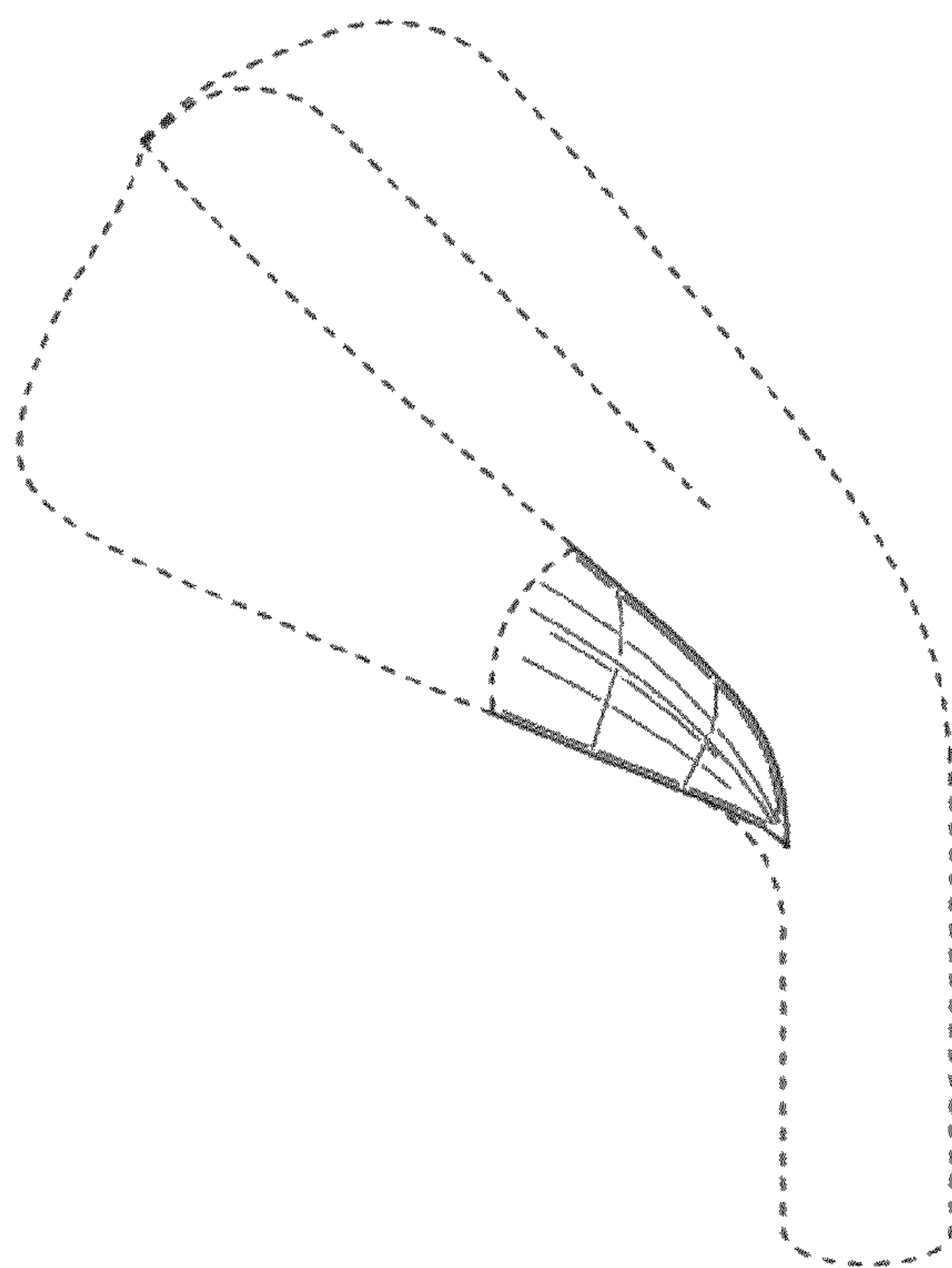


FIG. 5

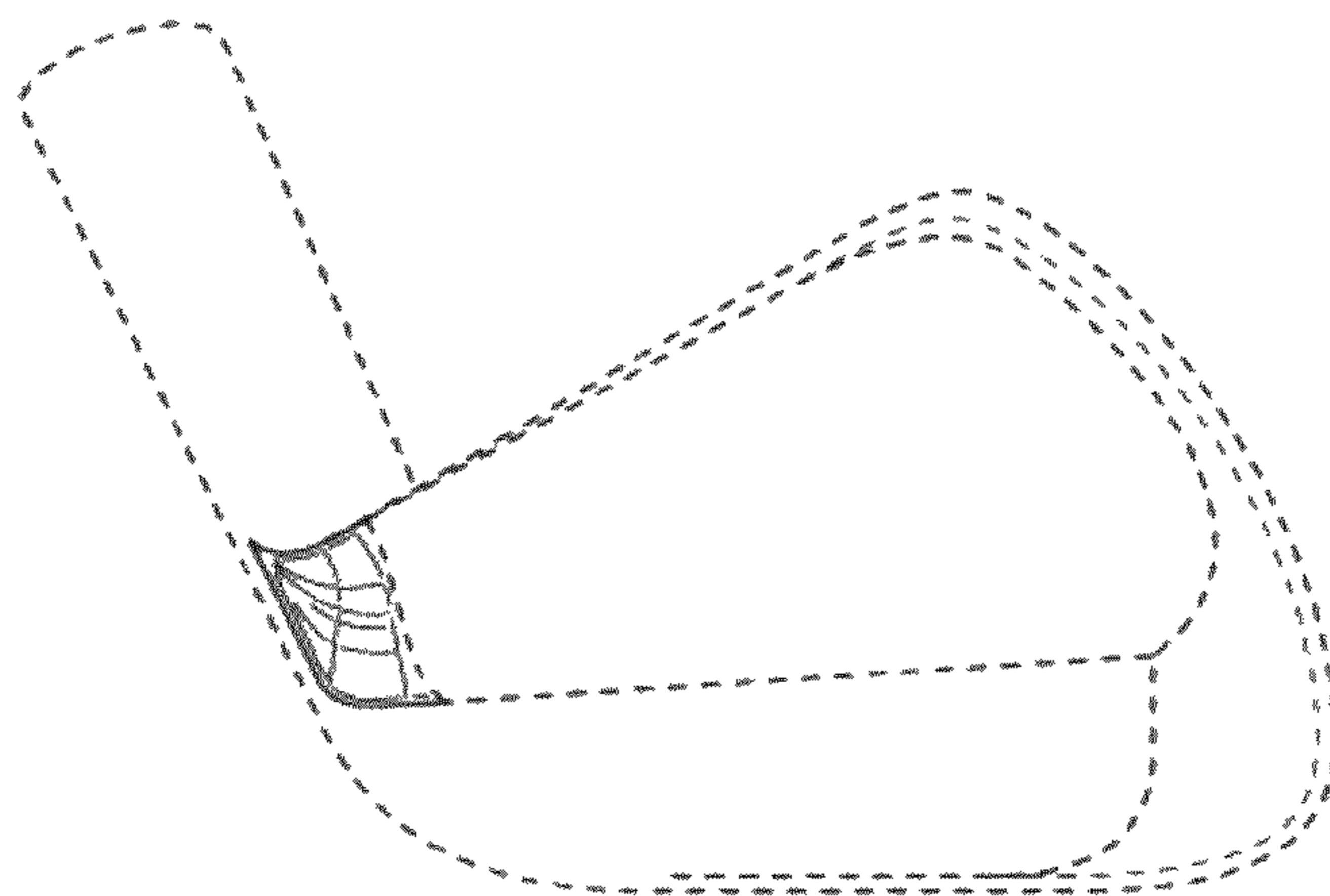


FIG. 6

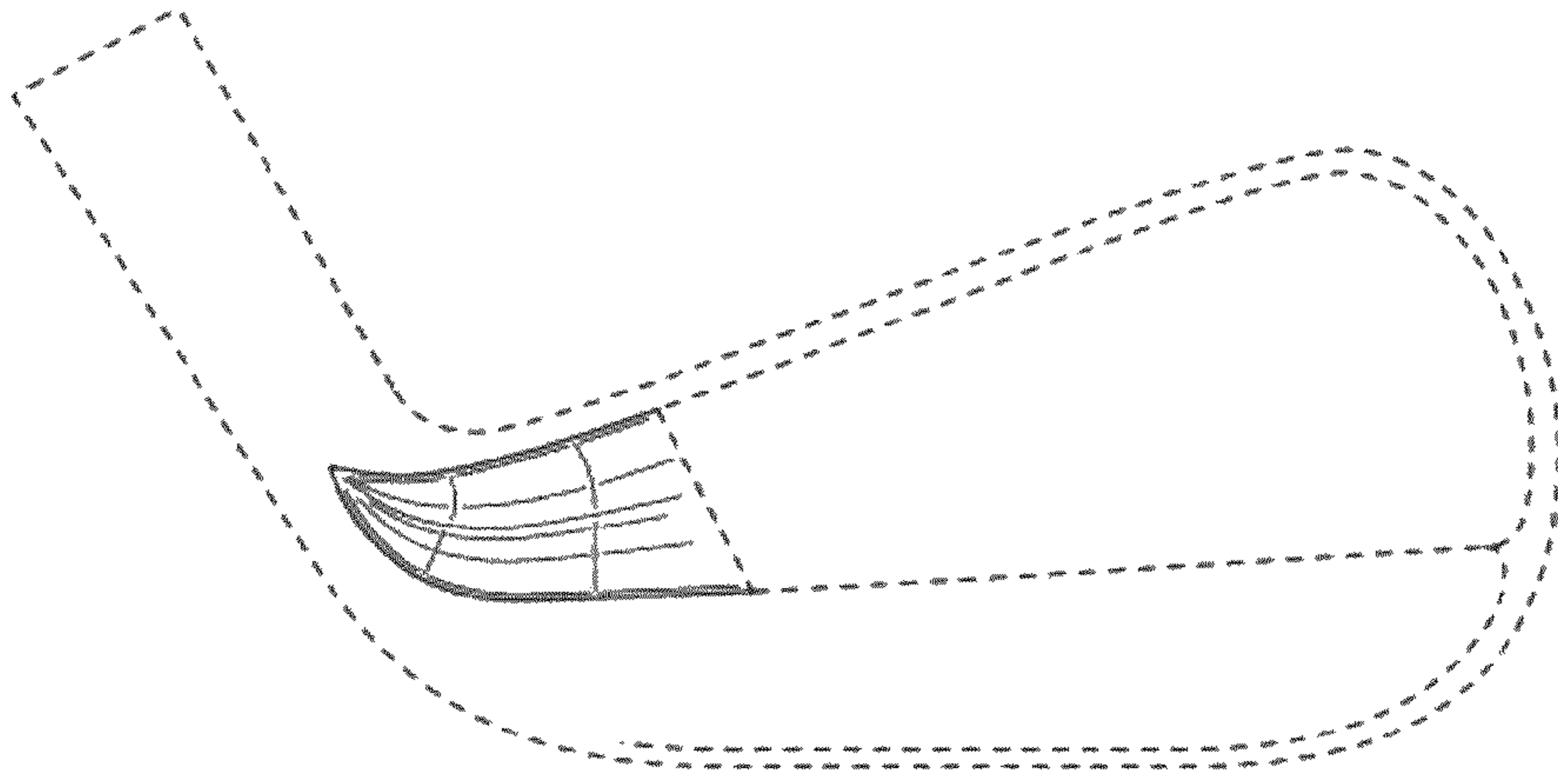


FIG. 7

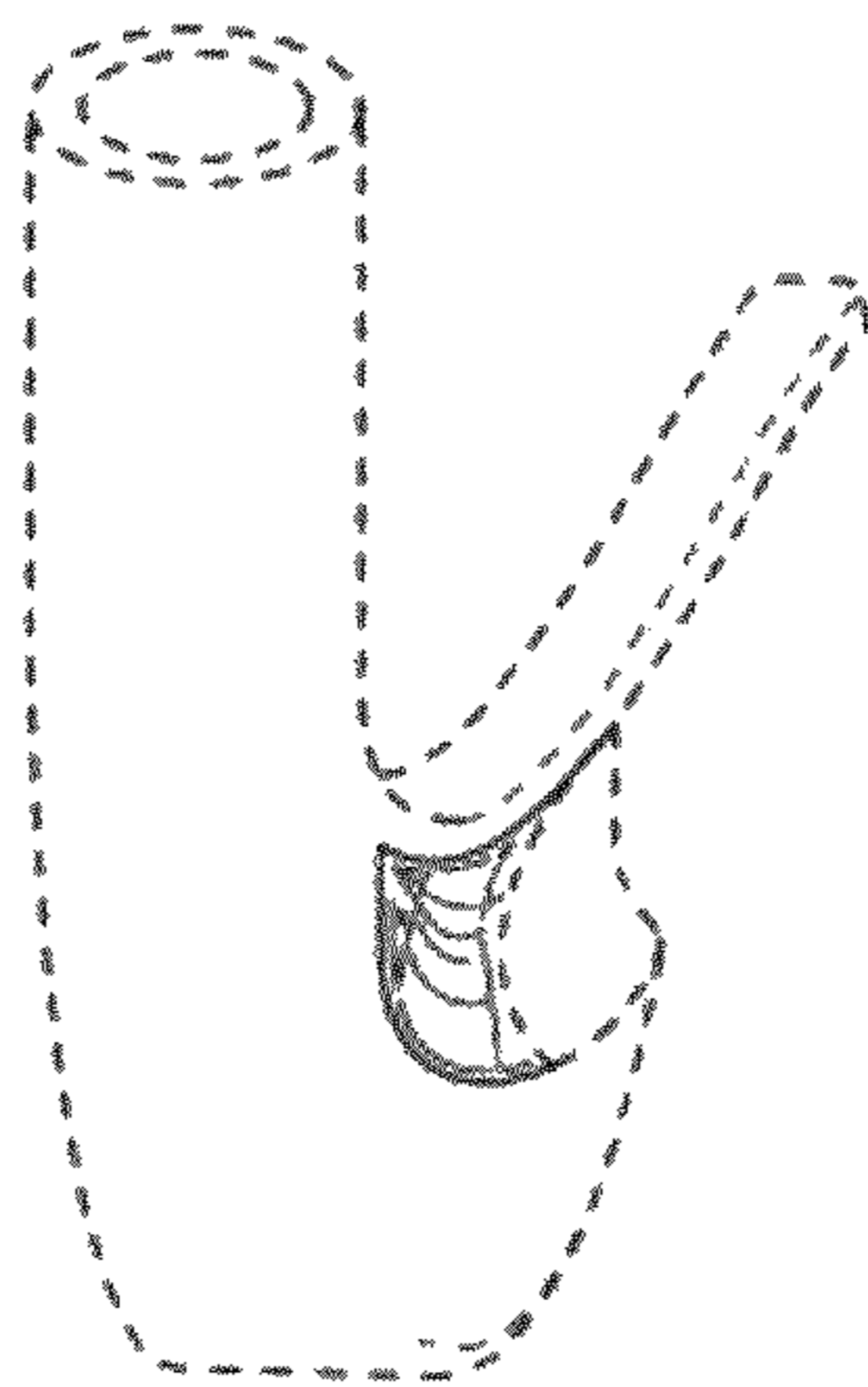


FIG. 8