



US00D659779S

(12) **United States Design Patent**
Gray

(10) **Patent No.:** **US D659,779 S**
(45) **Date of Patent:** **** May 15, 2012**

(54) **SPORTS TRAINING APPARATUS**
(76) Inventor: **Richard Gray**, Galashiels (GB)
(**) Term: **14 Years**
(21) Appl. No.: **29/401,767**
(22) Filed: **Sep. 15, 2011**

4,757,989 A * 7/1988 Bauer, Jr. 482/83
4,802,670 A * 2/1989 Smith 473/445
5,143,372 A * 9/1992 Wilson 473/442
5,980,398 A * 11/1999 Shingleton 473/445
6,309,327 B1 * 10/2001 Hallberg 482/83
D466,963 S * 12/2002 Forrest D21/788
6,942,585 B1 * 9/2005 Krause 473/445
D606,611 S * 12/2009 Rogers et al. D21/788

* cited by examiner

(30) **Foreign Application Priority Data**
Mar. 16, 2011 (EM) 001836404-0001
(51) **LOC (9) Cl.** **21-02**
(52) **U.S. Cl.** **D21/698; D21/788**
(58) **Field of Classification Search** D21/662,
D21/673, 686, 691, 692, 698, 788, 798; 473/415,
473/422, 438-445; 482/14, 83, 92, 110,
482/121, 129, 139
See application file for complete search history.

Primary Examiner — Catherine Tuttle
(74) *Attorney, Agent, or Firm* — Espinosa Trueba PL;
Michael E. Tschupp; William R. Trueba, Jr.

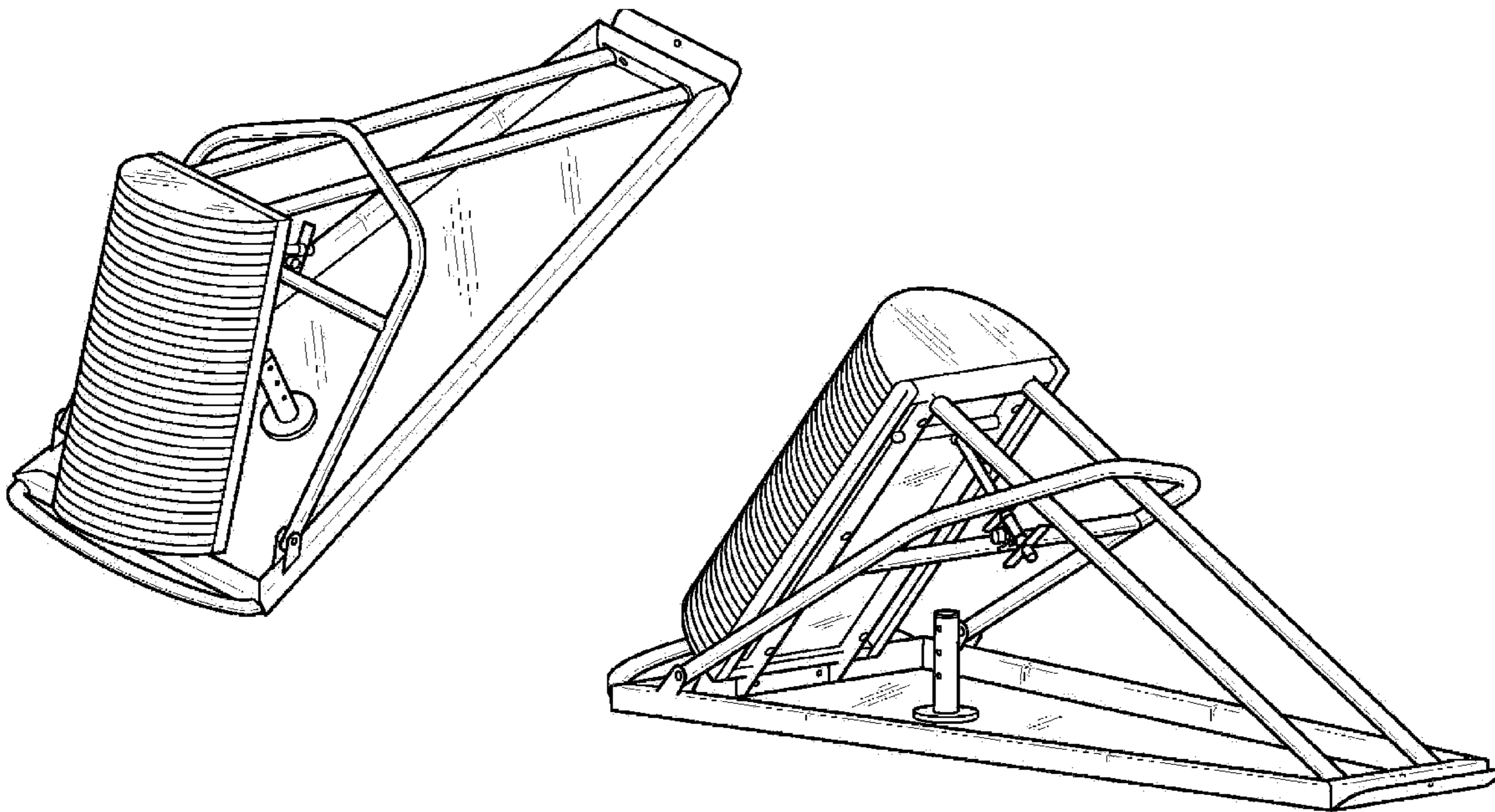
(56) **References Cited**
U.S. PATENT DOCUMENTS
2,558,081 A * 6/1951 Gardenhour 473/445
3,216,724 A * 11/1965 Williams 473/445
3,365,947 A * 1/1968 Chaverini et al. 73/379.05
3,425,692 A * 2/1969 Leach 473/445
D233,219 S * 10/1974 O'Donnell D10/83

(57) **CLAIM**
The ornamental design for a sports training apparatus, as shown and described.

DESCRIPTION

FIG. 1 is a front perspective view of a sports training apparatus showing my new design;
FIG. 2 is a rear perspective view thereof;
FIG. 3 is a side view thereof;
FIG. 4 is a front view thereof;
FIG. 5 is a rear view thereof;
FIG. 6 is a top view thereof; and,
FIG. 7 is a bottom view thereof.

1 Claim, 4 Drawing Sheets



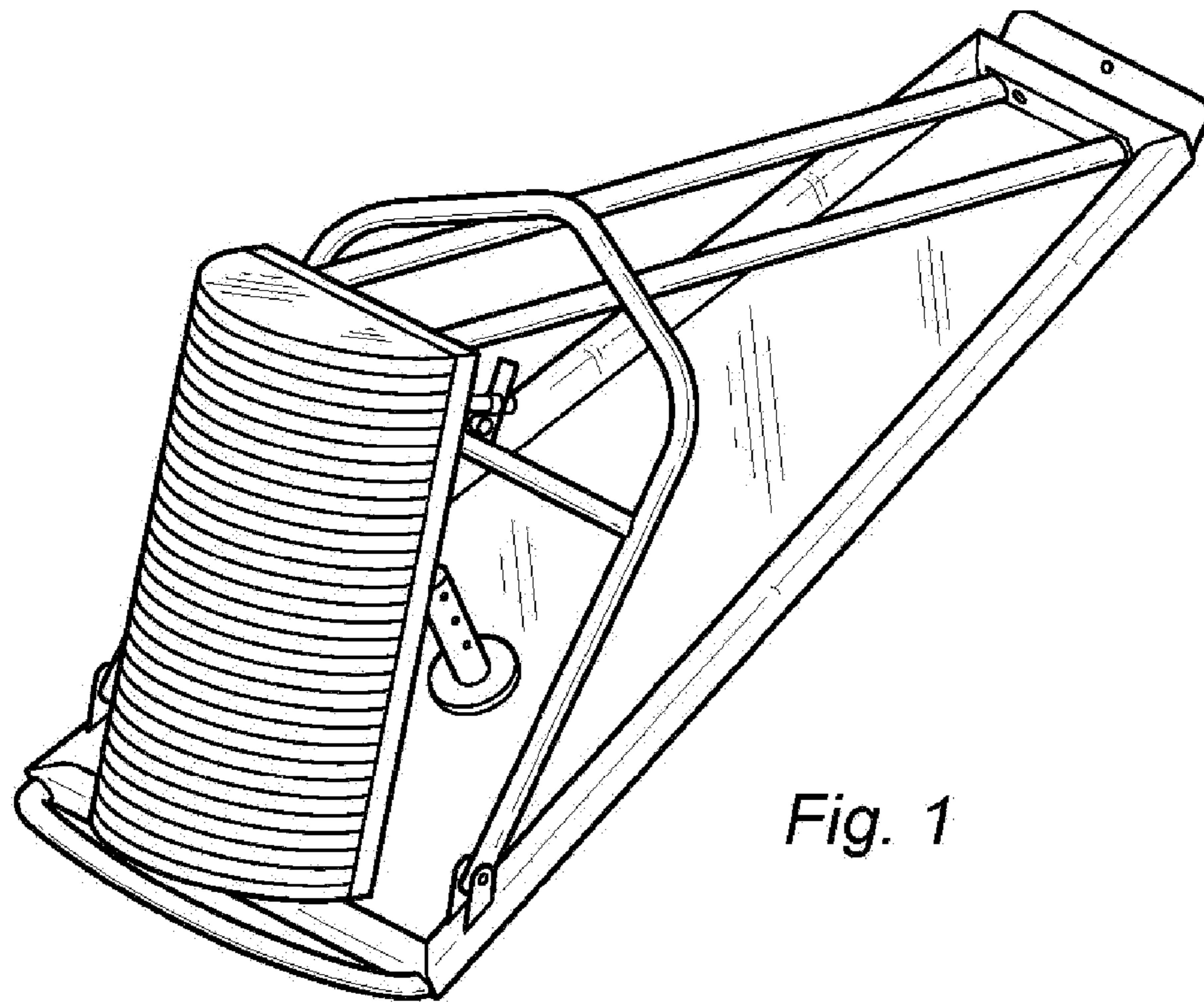


Fig. 1

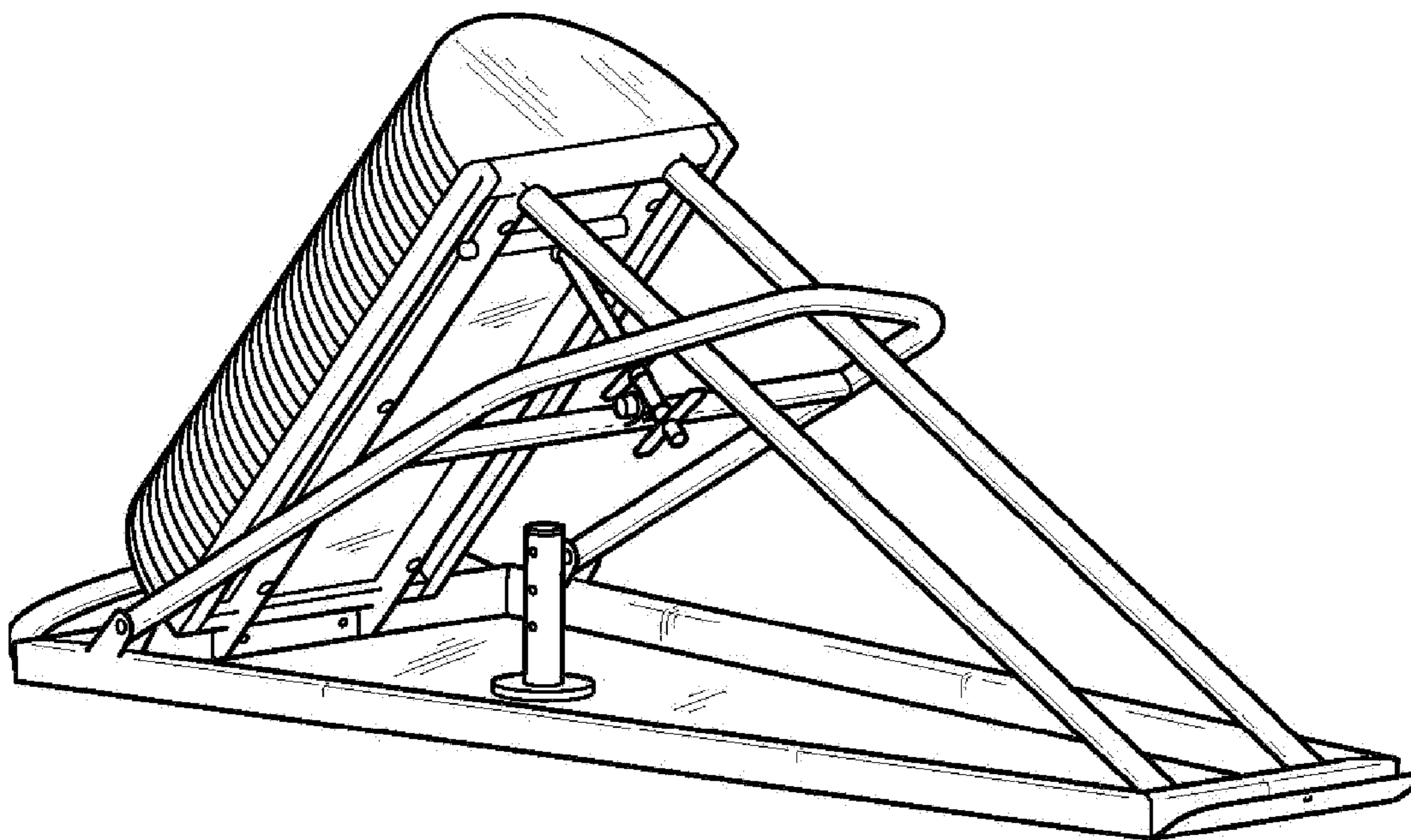


Fig. 2

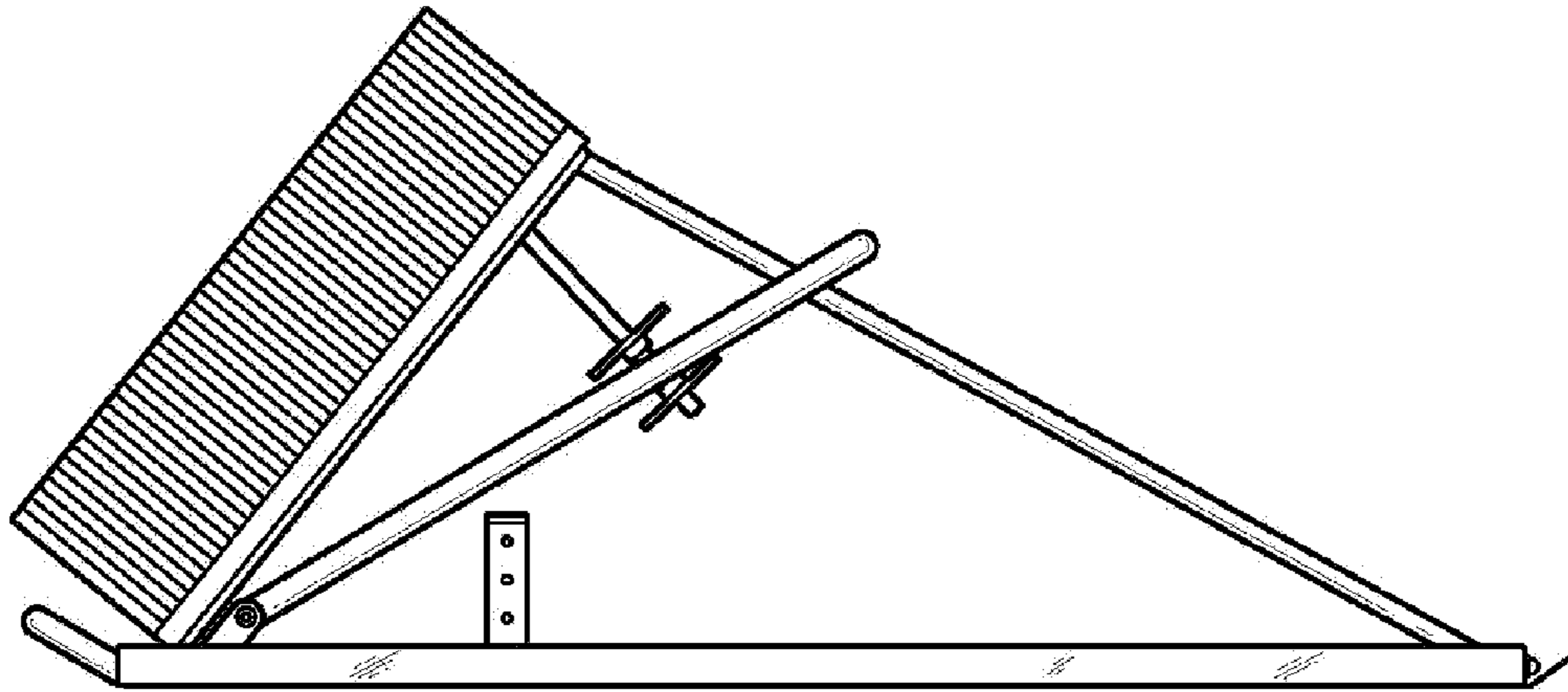


Fig. 3

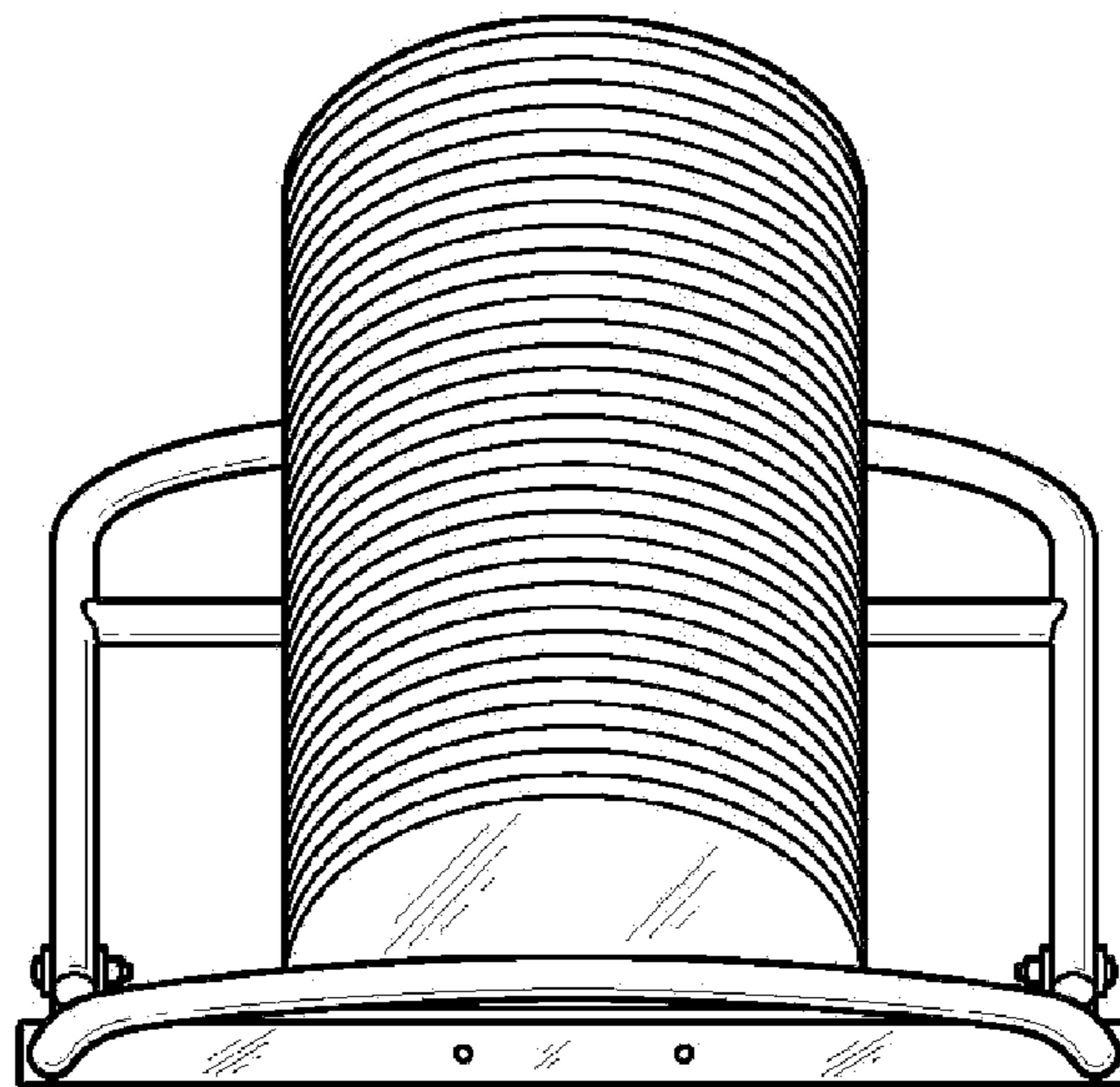


Fig. 4

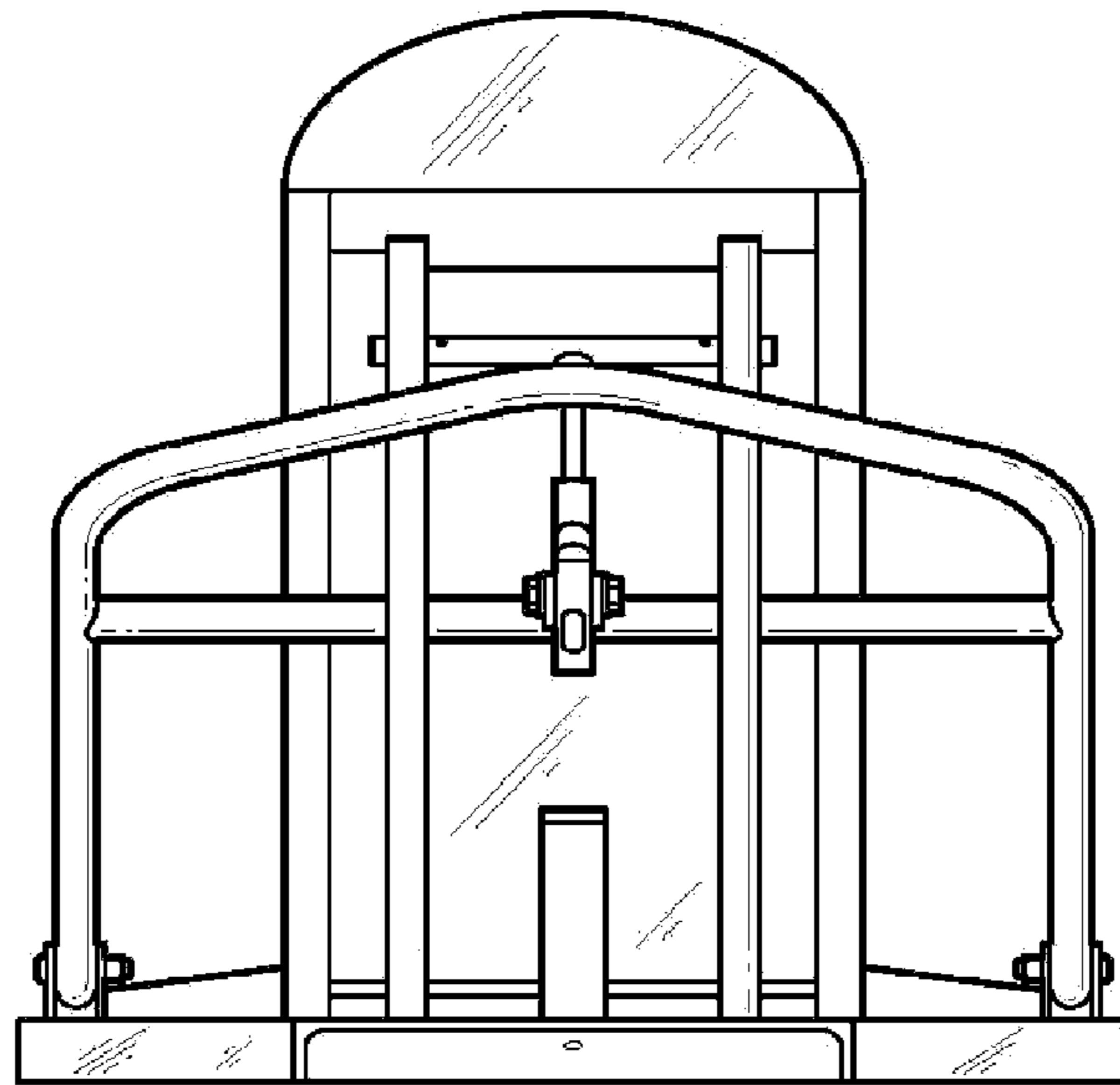


Fig. 5

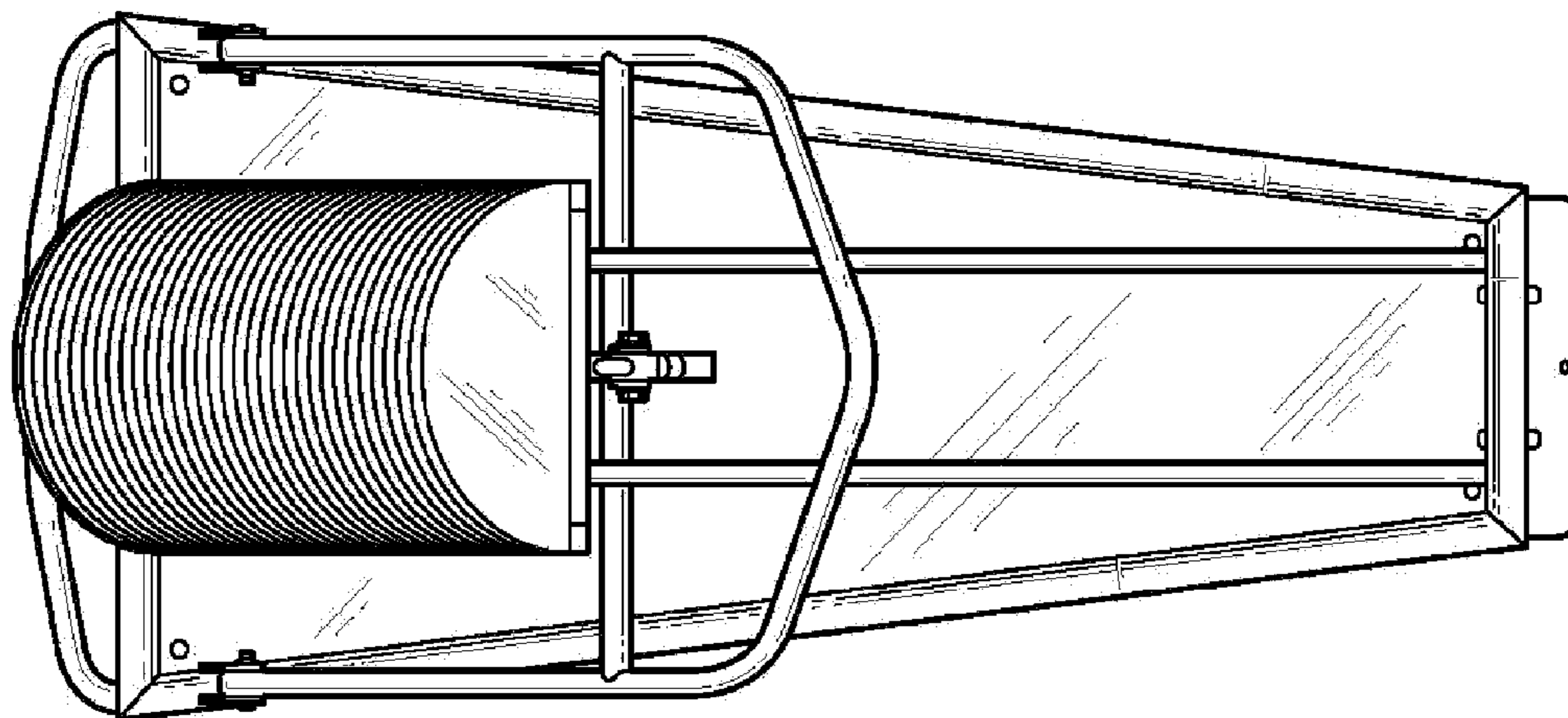


Fig. 6

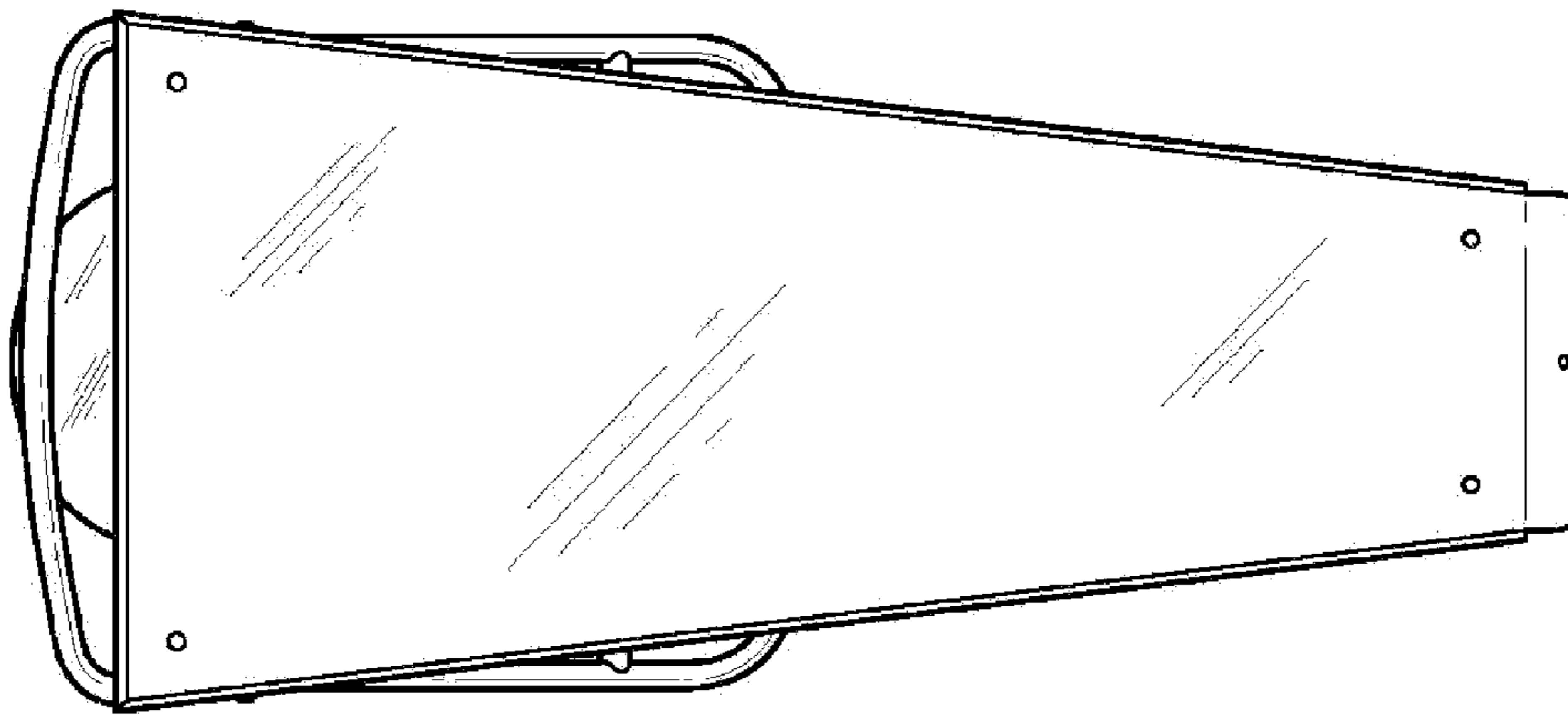


Fig. 7