



US00D659778S

(12) **United States Design Patent**
Keiser

(10) **Patent No.:** **US D659,778 S**

(45) **Date of Patent:** **** May 15, 2012**

(54) **EXERCISE BIKE**

(75) Inventor: **Dennis L. Keiser**, Sanger, CA (US)

(73) Assignee: **Keiser Corporation**, Fresno, CA (US)

(**) Term: **14 Years**

(21) Appl. No.: **29/391,779**

(22) Filed: **May 12, 2011**

Related U.S. Application Data

(60) Division of application No. 29/376,203, filed on Oct. 4, 2010, now Pat. No. Des. 643,887, which is a continuation of application No. 11/584,283, filed on Oct. 20, 2006, now abandoned.

(51) **LOC (9) Cl.** **21-02**

(52) **U.S. Cl.** **D21/694; D21/667**

(58) **Field of Classification Search** D21/662-670,
D21/694, 697; 482/51-52, 57-65; 280/266,
280/282, 284, 288.1, 288.3, 304.4, 835; D12/111
See application file for complete search history.

(56) **References Cited**

U.S. PATENT DOCUMENTS

| | | | |
|--------------|---------|-------------------|---------|
| D126,371 S | 4/1941 | Schnack | |
| D141,926 S | 7/1945 | Sly | |
| D150,765 S | 8/1948 | Harmann et al. | |
| 2,468,933 A | 5/1949 | Jones | |
| D224,329 S | 7/1972 | Hjelmquist | |
| 4,071,235 A | 1/1978 | Zent | |
| 4,464,834 A | 8/1984 | Simms | |
| D280,226 S | 8/1985 | Kasuba et al. | |
| D280,923 S * | 10/1985 | Smith et al. | D21/667 |
| D281,711 S | 12/1985 | Hiivola | |
| D291,462 S * | 8/1987 | Aalto | D21/667 |
| D296,457 S | 6/1988 | Anitua | |
| D299,732 S * | 2/1989 | Gustafsson | D21/667 |
| D307,928 S * | 5/1990 | Meisner | D21/663 |
| D311,047 S * | 10/1990 | Carnielli | D21/667 |

| | | | |
|----------------|---------|---------------------|---------|
| 5,004,443 A | 4/1991 | Su | |
| D323,368 S * | 1/1992 | Whitesel | D21/667 |
| D343,659 S * | 1/1994 | Kiiski | D21/667 |
| D354,887 S | 1/1995 | Hawkins | |
| D356,840 S * | 3/1995 | Huang | D21/667 |
| D372,284 S | 7/1996 | Wang et al. | |
| D379,164 S | 5/1997 | Yelverton | |
| D380,796 S | 7/1997 | Wang et al. | |
| D382,925 S | 8/1997 | Wu | |
| 5,712,767 A | 1/1998 | Koizumi | |
| 5,961,424 A | 10/1999 | Warner et al. | |
| D430,240 S * | 8/2000 | Chang | D21/667 |
| D460,794 S | 7/2002 | Baker | |
| D473,602 S | 4/2003 | Baudhuin et al. | |
| 6,569,063 B2 | 5/2003 | Chen | |
| 6,612,970 B2 | 9/2003 | Forcillo | |
| 6,669,603 B1 | 12/2003 | Forcillo | |
| 7,172,532 B2 | 2/2007 | Baker | |
| 7,175,570 B2 | 2/2007 | Lull et al. | |
| D586,409 S | 2/2009 | Keiser | |
| D596,680 S | 7/2009 | Keiser | |
| 7,641,600 B2 * | 1/2010 | Bingham et al. | 482/57 |
| 7,785,236 B1 * | 8/2010 | Lo | 482/63 |

(Continued)

Primary Examiner — Susan E Krakower

(74) *Attorney, Agent, or Firm* — Knobbe Martens Olson & Bear, LLP

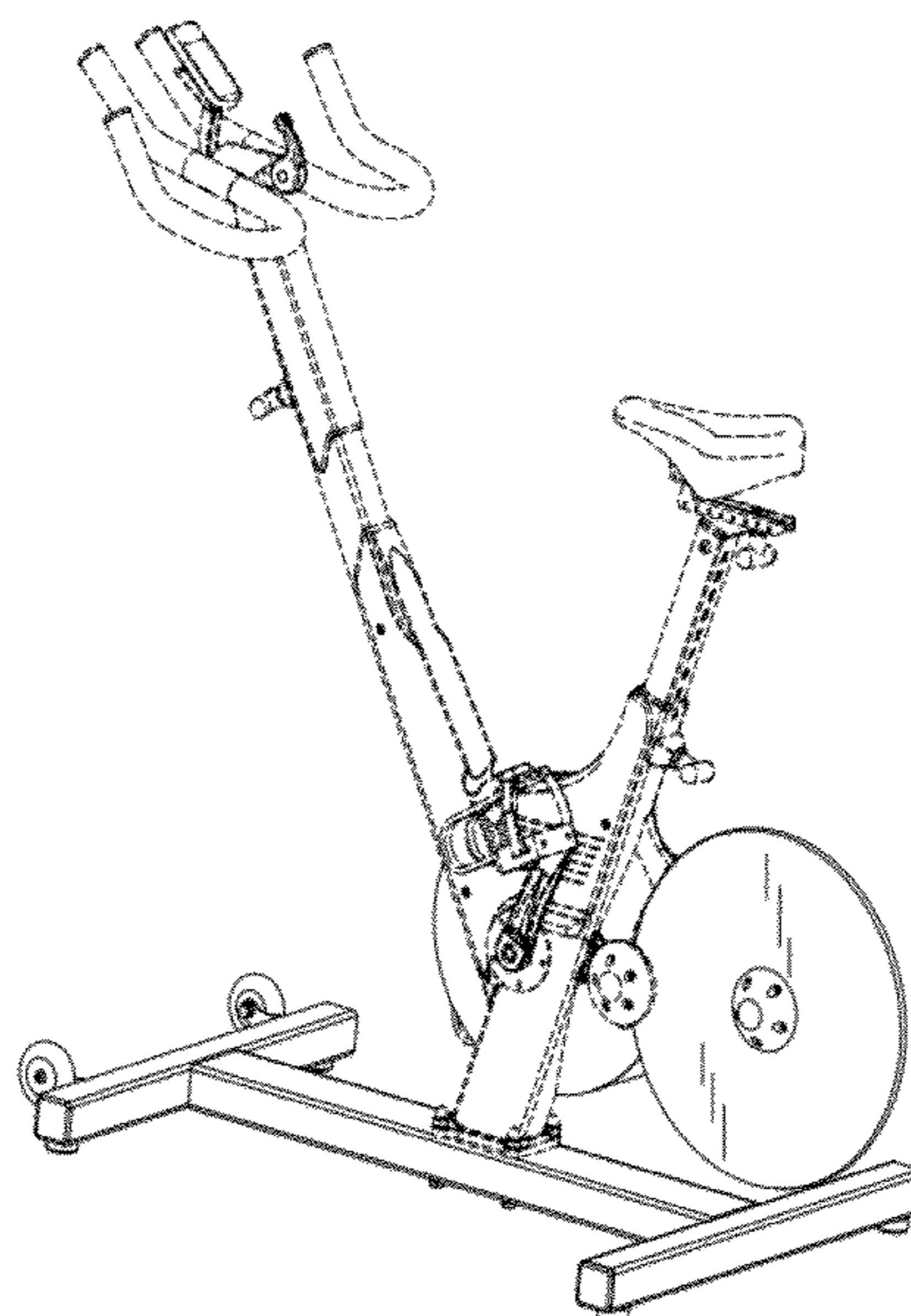
(57) **CLAIM**

The ornamental design for an exercise bike, as shown and described.

DESCRIPTION

FIG. 1 is a rear perspective view of an exercise bike in accordance with the present invention;
FIG. 2 is a left side elevational view thereof;
FIG. 3 is a right side elevational view thereof; and,
FIG. 4 is an opposite rear perspective view thereof.
The broken lines illustrate portions of the exercise bike which form no part of the claimed design.

1 Claim, 4 Drawing Sheets



US D659,778 S

Page 2

U.S. PATENT DOCUMENTS

D625,762 S 10/2010 Fon
D636,449 S * 4/2011 Wu D21/667
7,927,258 B2 * 4/2011 Irving et al. 482/57
2006/0102348 A1 10/2006 Watson et al.

2007/0173381 A1 7/2007 Chen et al.
2008/0020908 A1 1/2008 Ibarguren
2010/0179030 A1 7/2010 Liao Lai

* cited by examiner

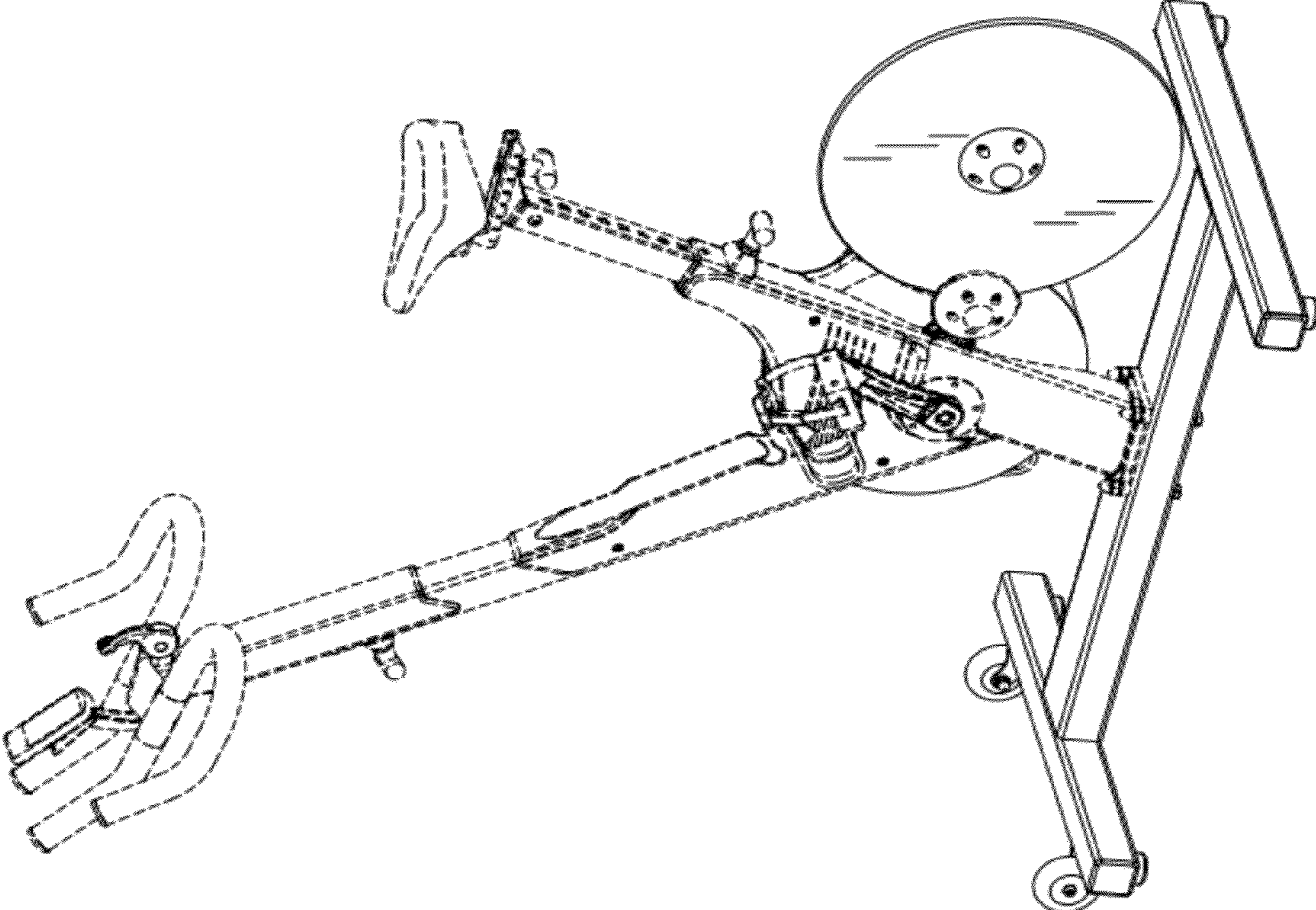


FIG. 1

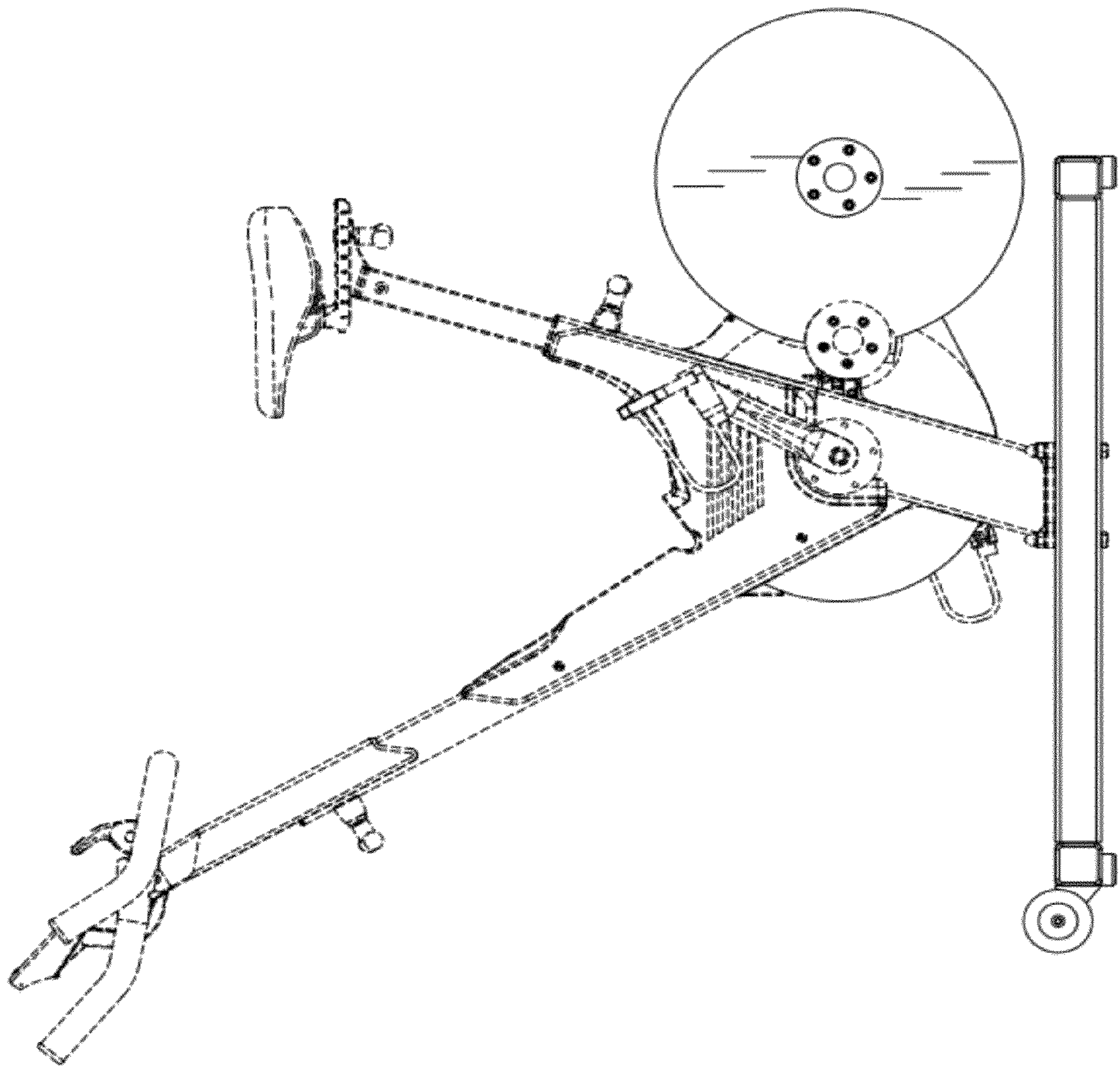


FIG. 2

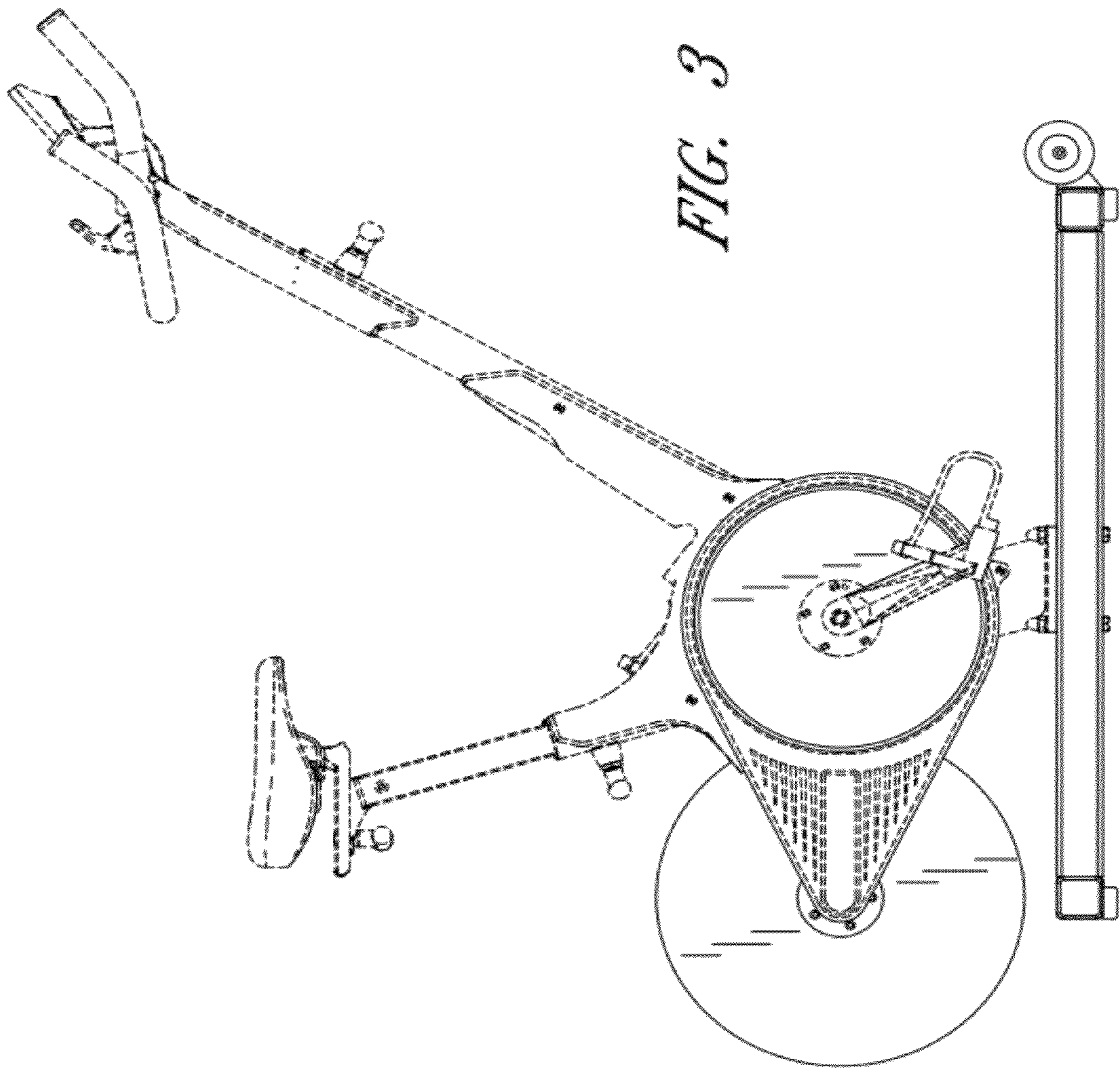
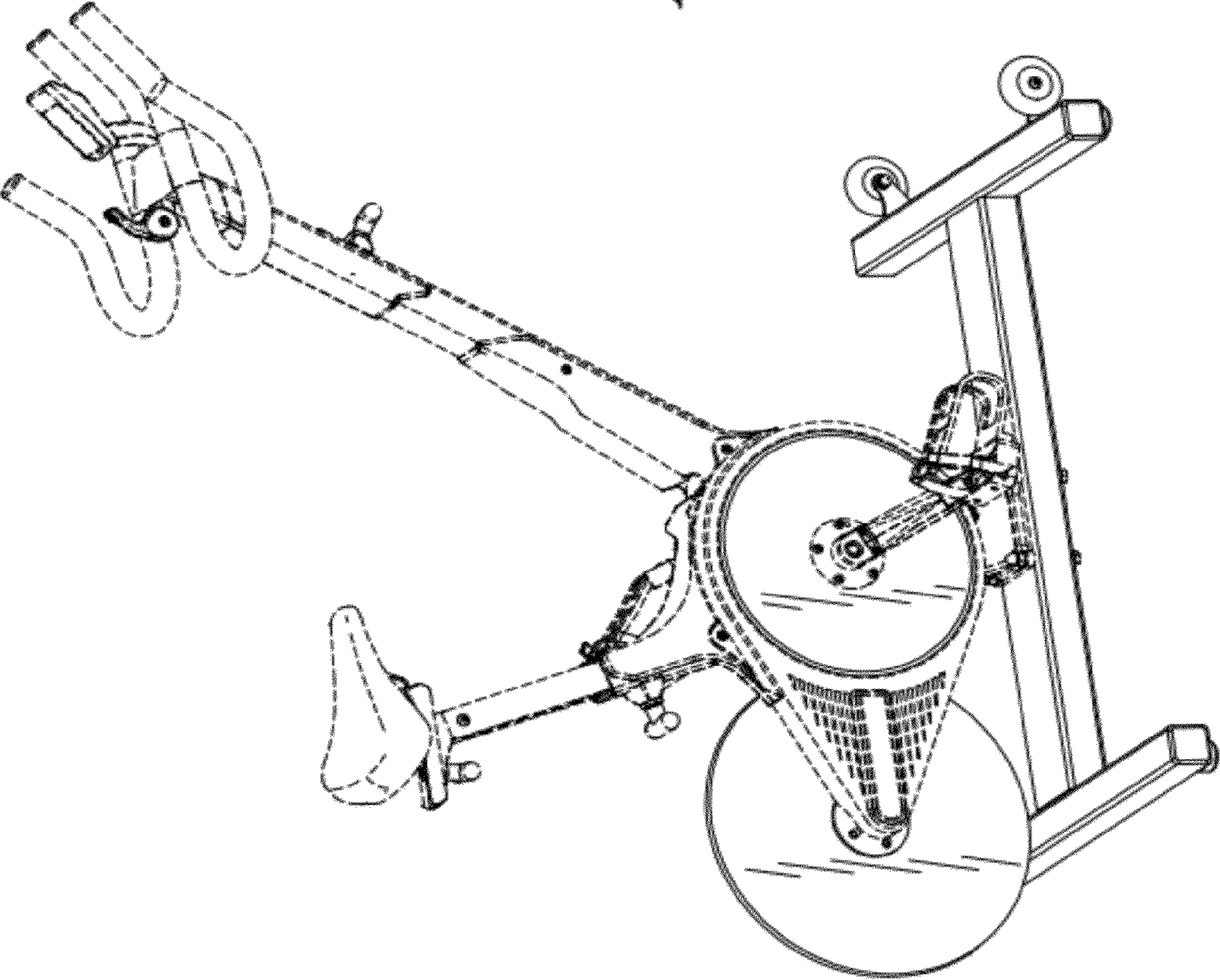


FIG. 4



UNITED STATES PATENT AND TRADEMARK OFFICE
CERTIFICATE OF CORRECTION

PATENT NO. : D659,778 S
APPLICATION NO. : 29/391779
DATED : May 15, 2012
INVENTOR(S) : Dennis L. Keiser

Page 1 of 1

It is certified that error appears in the above-identified patent and that said Letters Patent is hereby corrected as shown below:

Title Page, item (56);

Page 2, Column 1, line 5, Under U.S. Patent Documents, change "2006/0102348" to
--2006/0234840--.

Signed and Sealed this
Sixteenth Day of April, 2013



Teresa Stanek Rea
Acting Director of the United States Patent and Trademark Office