



US00D659777S

(12) **United States Design Patent**
Watterson et al.

(10) **Patent No.:** **US D659,777 S**
(45) **Date of Patent:** **** May 15, 2012**

(54) **EXERCISE DEVICE**

(75) Inventors: **Scott R. Watterson**, Providence, UT (US); **William T. Dalebout**, North Logan, UT (US); **Michael Olson**, Logan, UT (US); **Richard O. Evans**, Hyrum, UT (US)

(73) Assignee: **Icon IP, Inc.**

(**) Term: **14 Years**

(21) Appl. No.: **29/380,428**

(22) Filed: **Dec. 3, 2010**

(51) **LOC (9) Cl.** **21-02**

(52) **U.S. Cl.** **D21/689**

(58) **Field of Classification Search** D21/662, D21/686, 688, 689, 694, 695; 482/51, 71-72, 482/96, 112, 121, 130-132, 140, 142, 144, 482/146-147; 601/23, 33, 40, 127, 131; D6/502, 601, 366; 280/281.1, 287

See application file for complete search history.

(56) **References Cited**

U.S. PATENT DOCUMENTS

624,995 A	5/1899	Tellefsen	
682,988 A	9/1901	Hazelip	
1,982,872 A	11/1932	Husted	
2,129,262 A	9/1938	Cole	
2,183,345 A	1/1939	Brandon	
3,589,720 A	6/1971	Agamian	
3,658,327 A	4/1972	Thiede	
D224,955 S *	10/1972	Tipton D6/502
3,759,511 A	9/1973	Zinkin et al.	
3,892,404 A	7/1975	Martucci	
4,004,801 A	1/1977	Campanaro	
4,066,868 A	1/1978	Witkin et al.	

4,101,124 A	7/1978	Mahnke
4,176,836 A	12/1979	Coyle
4,241,915 A	12/1980	Moble et al.
4,383,684 A	5/1983	Schliep
		(Continued)

FOREIGN PATENT DOCUMENTS

CH	99125	5/1923
		(Continued)

OTHER PUBLICATIONS

U.S. Appl. No. 60/541,744, filed Jan. 5, 2004 To Nelson, Published Jul. 27, 2006.

(Continued)

Primary Examiner — Susan E Krakower

(74) *Attorney, Agent, or Firm* — Icon Health & Fitness, Inc.

(57) **CLAIM**

The ornamental design for an exercise device, as shown and described.

DESCRIPTION

FIG. 1 is a perspective view of an exercise device of the present invention;

FIG. 2 is a front view of the exercise device of FIG. 1;

FIG. 3 is a rear view of the exercise device of FIG. 1;

FIG. 4 is a left side view of the exercise device of FIG. 1;

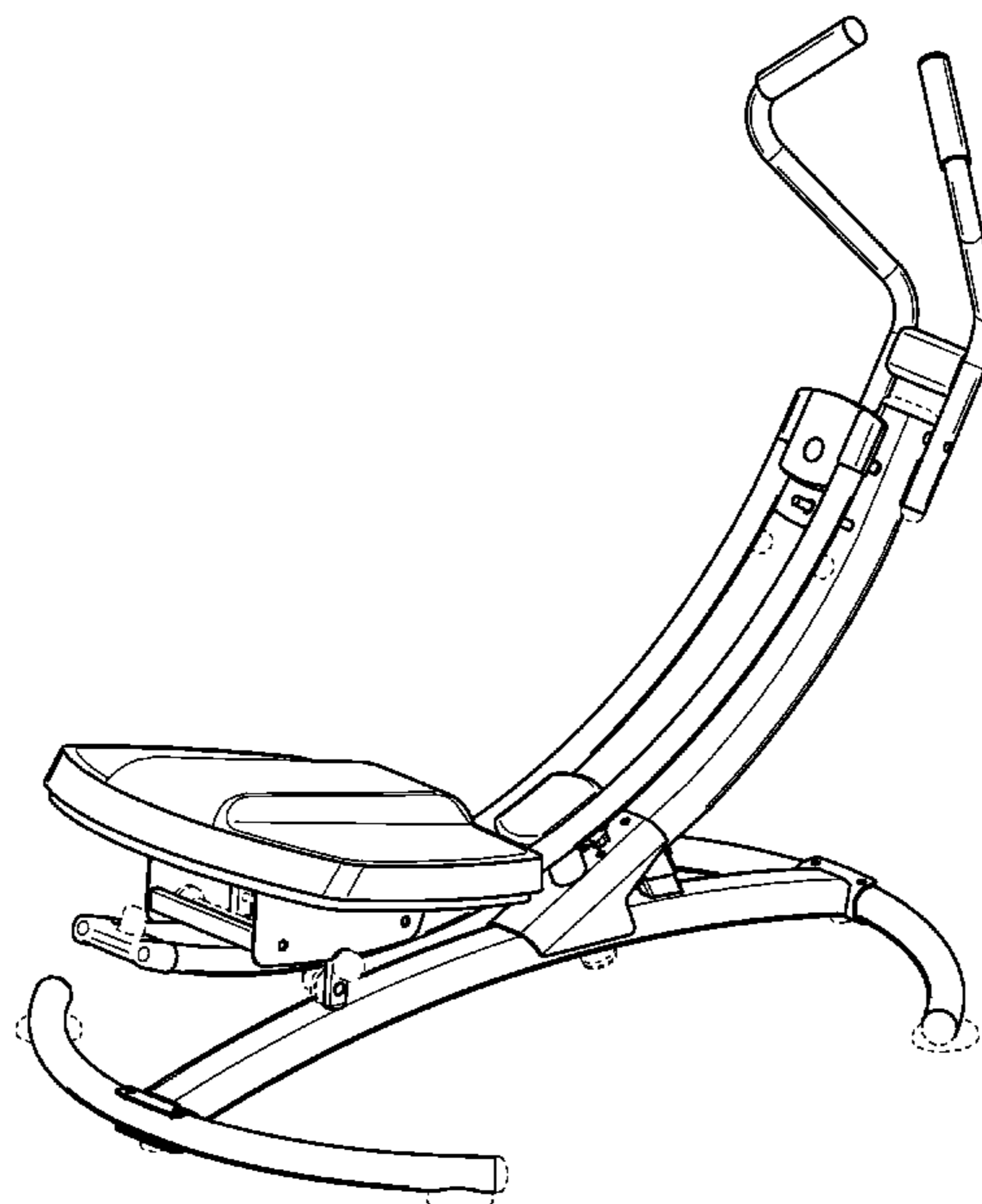
FIG. 5 is a right side view of the exercise device of FIG. 1;

FIG. 6 is a top view of the exercise device of FIG. 1; and,

FIG. 7 is a bottom view of the exercise device of FIG. 1.

The broken lines of the figures showing additional portions of the abdominal exercise device are included for the purpose of illustrating environmental structure and form no part of the claimed design.

1 Claim, 7 Drawing Sheets



US D659,777 S

Page 2

U.S. PATENT DOCUMENTS

4,705,268 A * 11/1987 Nadeau 482/72
 4,858,918 A * 8/1989 Iams et al. 482/132
 4,911,438 A 3/1990 Van Straaten
 4,930,769 A 6/1990 Nenoff
 D326,247 S 2/1991 Armstrong et al.
 4,989,860 A * 2/1991 Iams et al. 482/132
 5,029,848 A 7/1991 Sleamaker
 D321,226 S * 10/1991 Solow et al. D21/695
 D321,760 S * 11/1991 Carney D24/190
 5,169,363 A 12/1992 Campanaro
 5,224,909 A 7/1993 Hamilton
 D340,961 S * 11/1993 Miller D21/695
 5,354,251 A 10/1994 Sleamaker
 5,376,053 A 12/1994 Ponder
 5,429,567 A 7/1995 Gerschefske
 5,433,685 A 7/1995 Winslow
 5,435,799 A 7/1995 Lundin
 D362,700 S 9/1995 Breibart
 D367,090 S * 2/1996 Lien D21/695
 5,499,961 A 3/1996 Mattox
 5,518,483 A 5/1996 Oswald
 5,527,249 A 6/1996 Harris
 5,573,485 A 11/1996 Geschwender
 5,575,740 A 11/1996 Piaget et al.
 5,582,565 A 12/1996 Soria
 5,620,403 A 4/1997 Lundin
 5,674,167 A 10/1997 Piaget
 5,718,660 A 2/1998 Chen
 5,746,688 A 5/1998 Prager
 D397,745 S 9/1998 Wu
 5,906,564 A 5/1999 Jacobsen
 5,921,901 A 7/1999 Palacios
 5,938,571 A 8/1999 Stevens
 5,941,803 A 8/1999 Chamberlain
 6,024,677 A 2/2000 Siwerty
 D425,585 S 5/2000 Wu
 6,071,217 A 6/2000 Barnett
 6,110,081 A 8/2000 Barrett
 6,183,397 B1 2/2001 Stearns
 6,186,929 B1 2/2001 Endelman
 6,196,954 B1 3/2001 Chen
 6,231,489 B1 5/2001 McBride
 6,244,995 B1 6/2001 Prsala
 6,440,045 B1 8/2002 Gaston

6,607,472 B2 8/2003 Toole
 6,634,996 B2 10/2003 Jacobsen
 6,645,129 B2 11/2003 Eschenbach
 7,083,536 B2 8/2006 Lu
 7,125,371 B2 10/2006 Henderson
 7,128,701 B1 10/2006 Ketcham
 7,179,212 B2 2/2007 Hsiung
 7,232,404 B2 6/2007 Nelson
 7,244,217 B2 7/2007 Rodgers
 7,270,628 B2 9/2007 Campanaro
 D565,134 S 3/2008 Brown et al.
 D567,915 S 3/2008 Brown et al.
 7,455,633 B2 11/2008 Brown et al.
 D584,367 S 1/2009 Augustine et al.
 7,485,079 B2 2/2009 Brown et al.
 7,585,263 B2 9/2009 Brown et al.
 7,611,445 B2 11/2009 Brown et al.
 D626,608 S * 11/2010 Tsai D21/689
 D631,519 S * 1/2011 Chen D21/689
 D642,639 S * 8/2011 Tsai D21/689
 D643,482 S * 8/2011 Ho et al. D21/689
 2003/0022770 A1 1/2003 Lee
 2004/0077468 A1 4/2004 Myles et al.
 2004/0248713 A1 12/2004 Campanaro
 2005/0085348 A1 4/2005 Kiefer
 2005/0248713 A1 11/2005 Hirose
 2006/0100070 A1 5/2006 Abdo
 2006/0166798 A1 7/2006 Nelson
 2007/0021280 A1 1/2007 Tyree
 2007/0149370 A1 6/2007 Brown et al.
 2007/0184949 A1 8/2007 Weir
 2008/0070765 A1 3/2008 Brown et al.
 2008/0070766 A1 3/2008 Brown et al.
 2008/0207415 A1 8/2008 Tsai
 2010/0022367 A1 * 1/2010 McBride et al. 482/140

FOREIGN PATENT DOCUMENTS

DE 29919418 3/2000
 GB 1318240 5/1973

OTHER PUBLICATIONS

U.S. Appl. No. 29/380,429, filed Dec. 3, 2010 to Watterson et al.
 U.S. Appl. No. 12/960,436, filed Dec. 3, 2010 to Watterson et al.

* cited by examiner

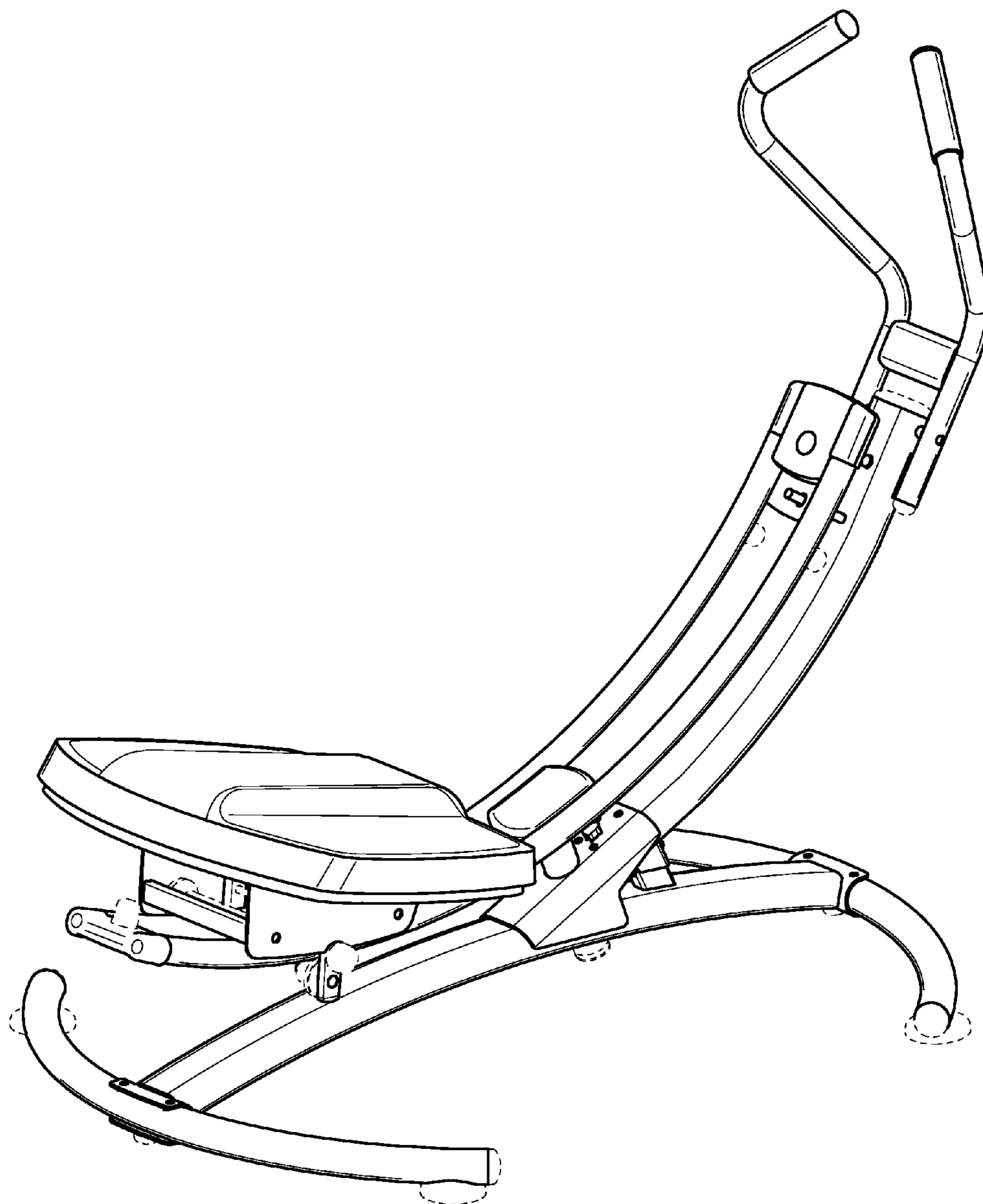


Fig. 1

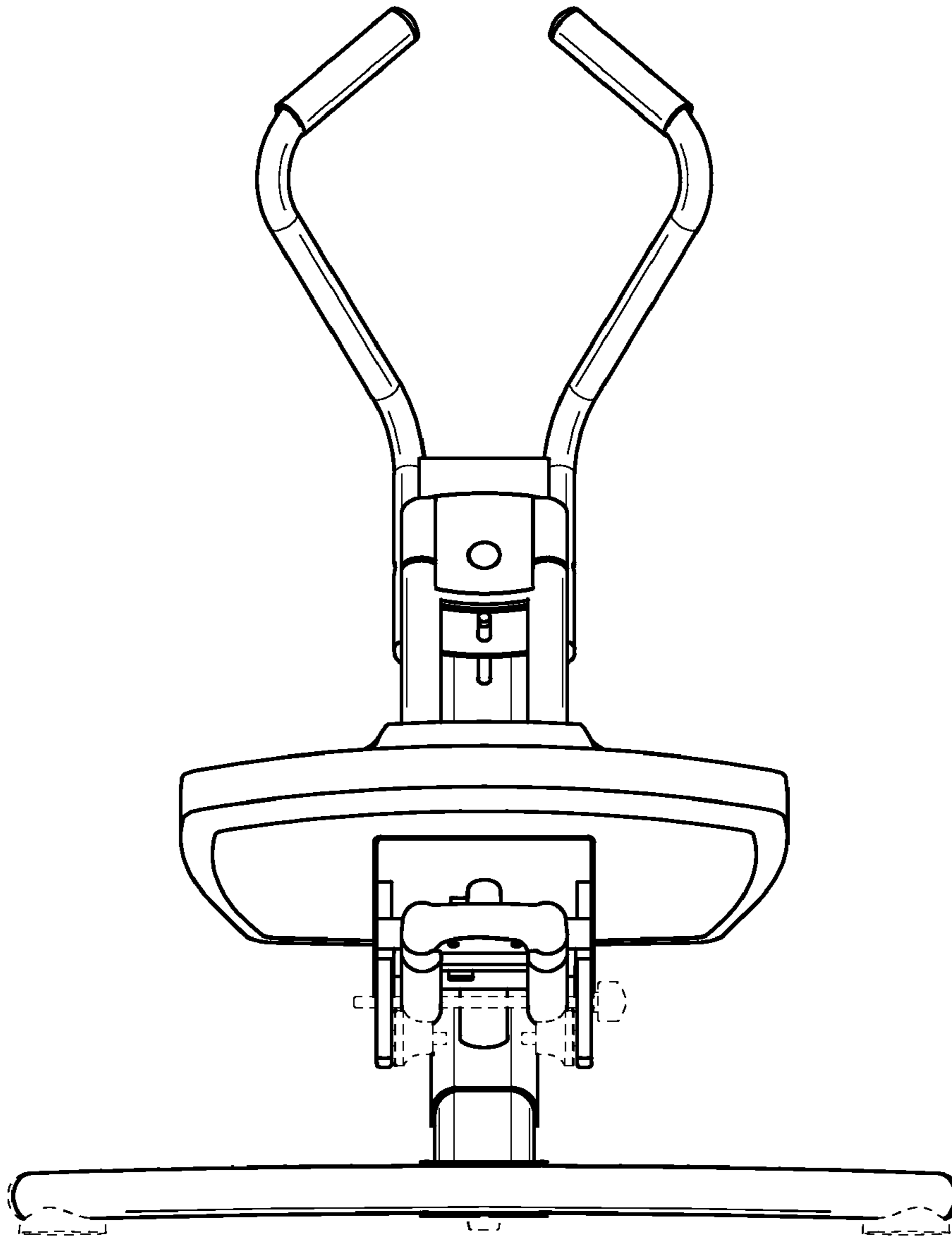


Fig. 2

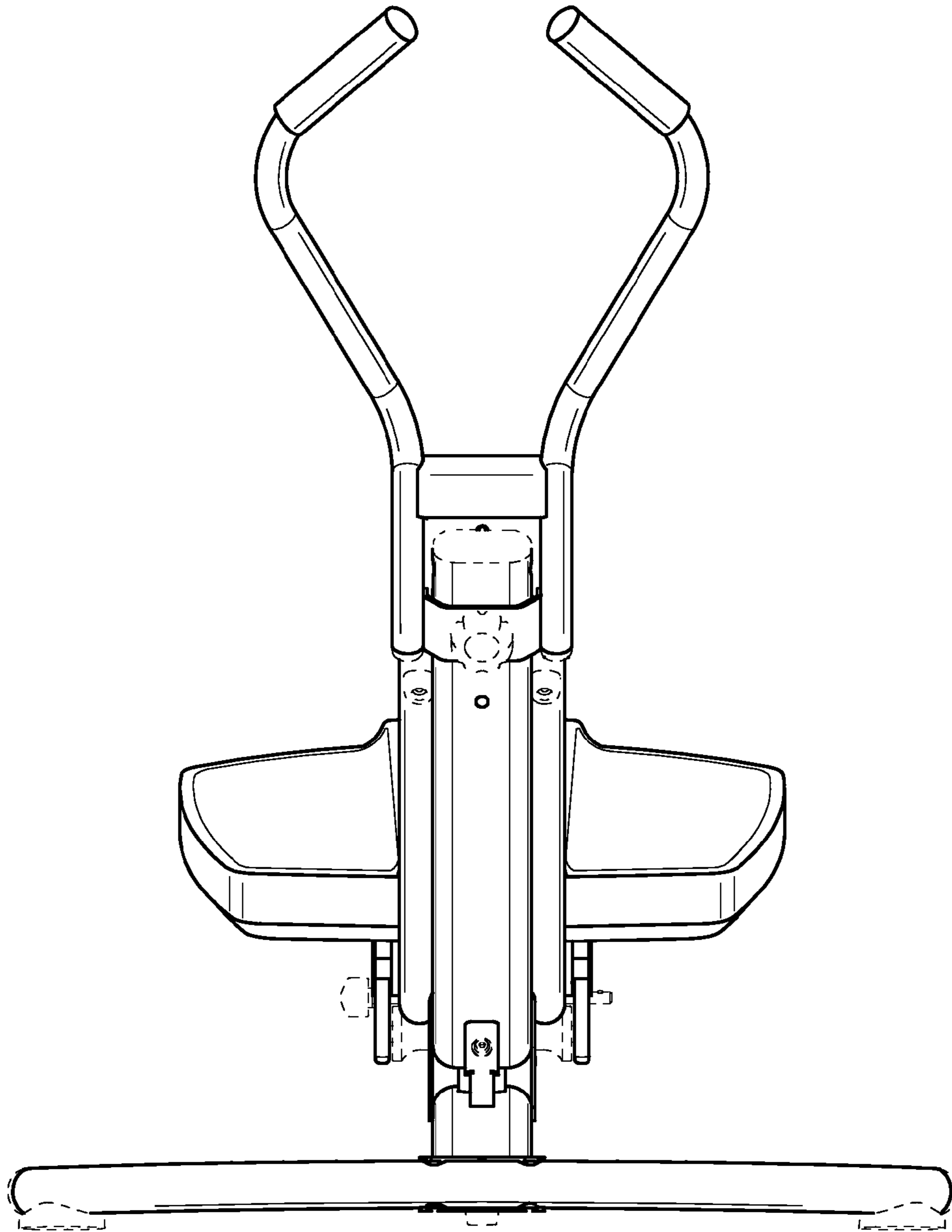


Fig. 3

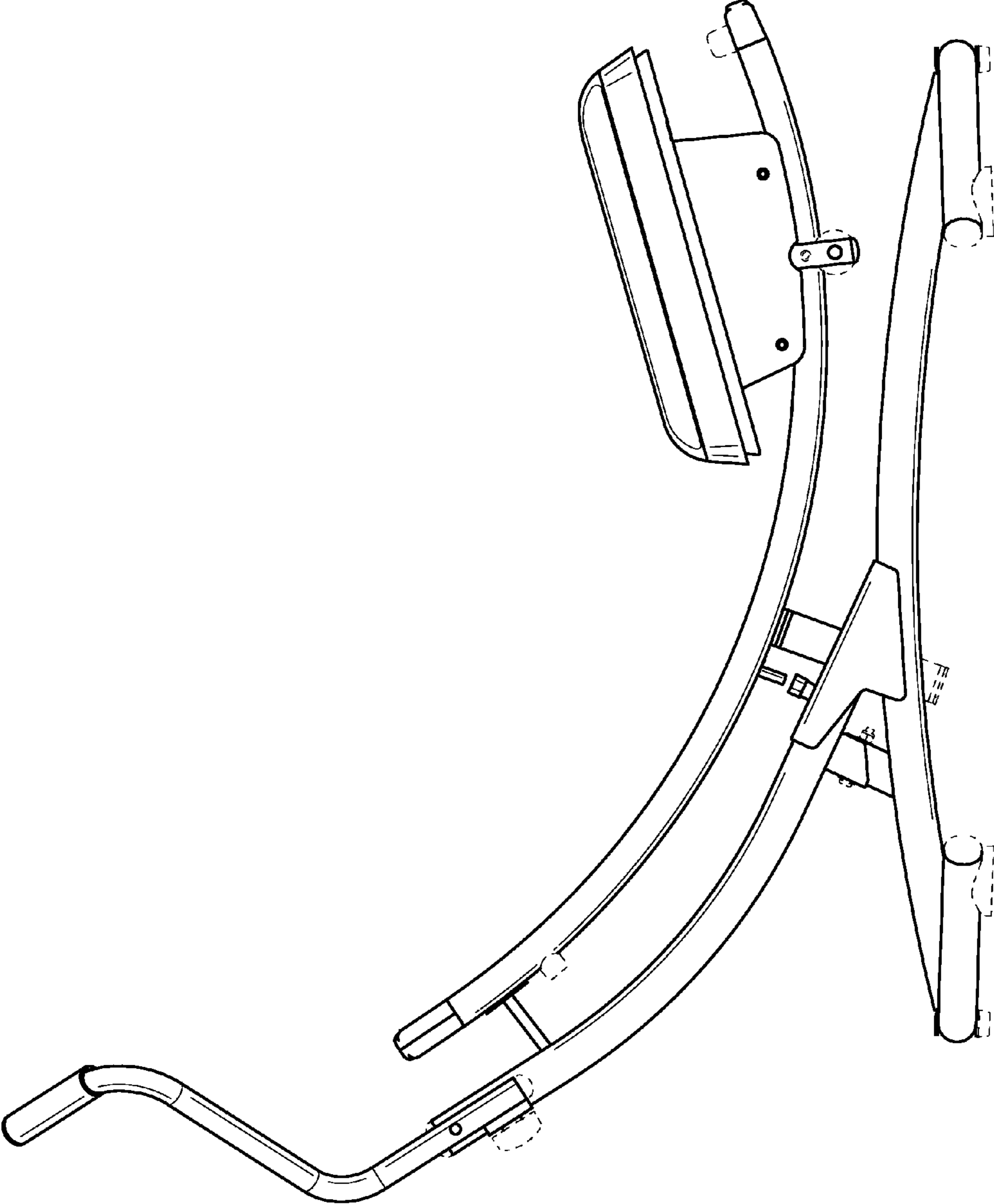


Fig. 4

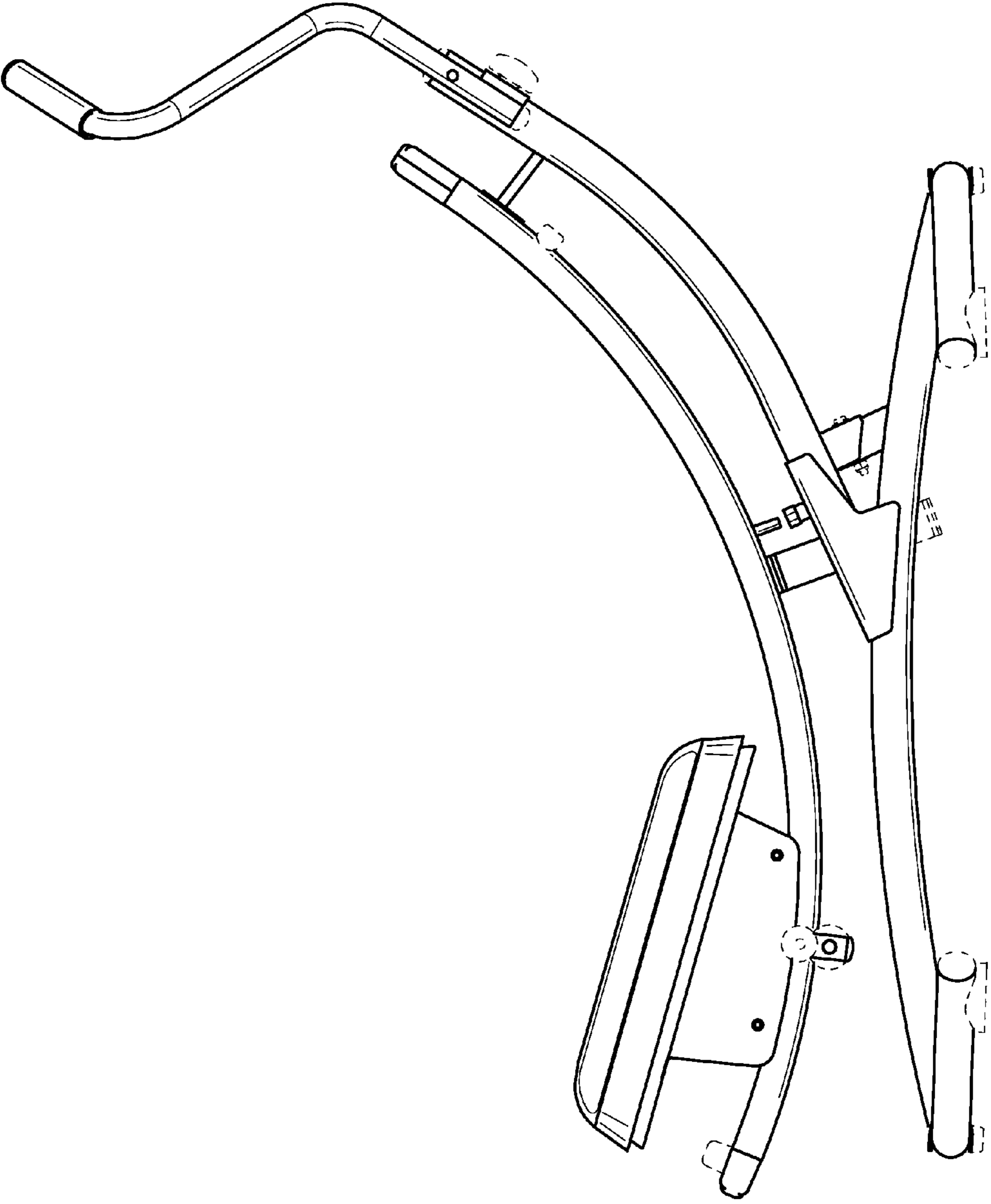


Fig. 5

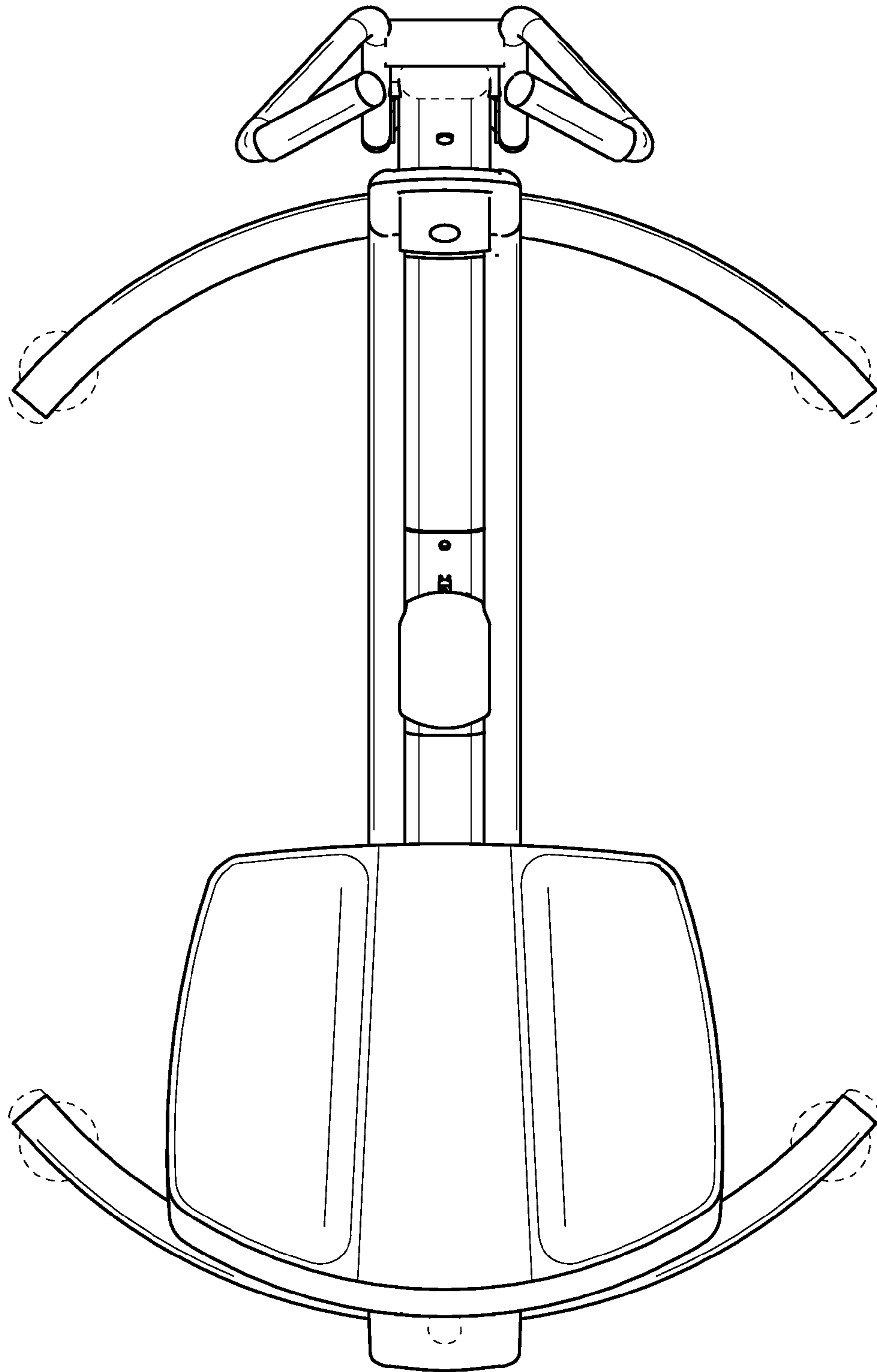


Fig. 6

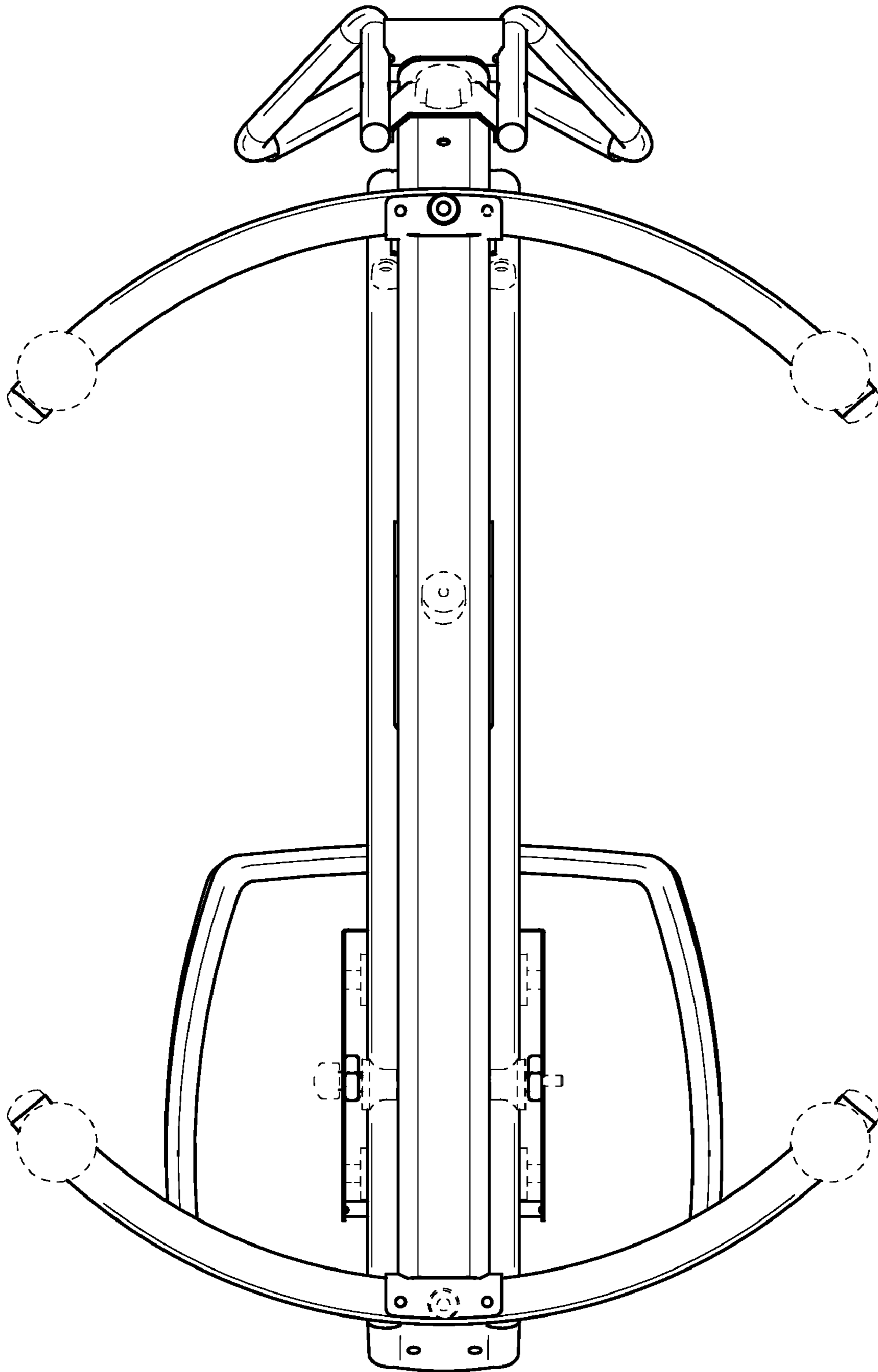


Fig. 7