



US00D659775S

(12) **United States Design Patent**
Olson et al.

(10) **Patent No.:** **US D659,775 S**

(45) **Date of Patent:** **** May 15, 2012**

(54) **PULLEY DEVICE FOR EXERCISE**

(75) Inventors: **Michael Olson**, Logan, UT (US);
William T. Dalebout, Logan, UT (US)

(73) Assignee: **Icon IP, Inc.**, Logan, UT (US)

(**) Term: **14 Years**

(21) Appl. No.: **29/405,195**

(22) Filed: **Oct. 31, 2011**

Related U.S. Application Data

(62) Division of application No. 29/354,089, filed on Jan. 19, 2010, now Pat. No. Des. 651,451.

(51) **LOC (9) Cl.** **21-02**

(52) **U.S. Cl.** **D21/673**; D21/694

(58) **Field of Classification Search** D21/662,
D21/673-677, 679, 684-689, 692-694; 482/92,
482/94, 96, 121, 124-126, 129, 131; D8/360
See application file for complete search history.

(56) **References Cited**

U.S. PATENT DOCUMENTS

325,435	A *	9/1885	North	186/22
685,788	A *	11/1901	McFadden	482/129
761,504	A *	5/1904	Kleinbach	482/96
D182,660	S *	4/1958	Hastings	D21/673
4,611,805	A *	9/1986	Franklin et al.	482/129
5,501,656	A *	3/1996	Homma et al.	601/33
D372,507	S *	8/1996	Chin	D21/687
5,556,369	A *	9/1996	Roberts	482/131
D414,228	S *	9/1999	Zwonitzer	D21/694
6,102,836	A *	8/2000	Person	482/103

6,319,179	B1 *	11/2001	Hinds	482/121
D650,451	S *	12/2011	Olson et al.	D21/673
8,070,657	B2 *	12/2011	Loach	482/72
2004/0138032	A1 *	7/2004	Van Straaten et al.	482/112
2006/0019806	A1 *	1/2006	Mikulski	482/121

* cited by examiner

Primary Examiner — Susan E Krakower

(74) *Attorney, Agent, or Firm* — Workman Nydegger

(57) **CLAIM**

The ornamental design for a pulley device for exercise, as shown and described.

DESCRIPTION

FIG. 1 is a right perspective view of a pulley device for exercise of the present invention;

FIG. 2 is a left perspective view of the pulley device of FIG. 1;

FIG. 3 is a front view of the pulley device of FIG. 1;

FIG. 4 is a rear view of the pulley device of FIG. 1;

FIG. 5 is a bottom perspective view of the pulley device of FIG. 1;

FIG. 6 is a top perspective view of the pulley device of FIG. 1;

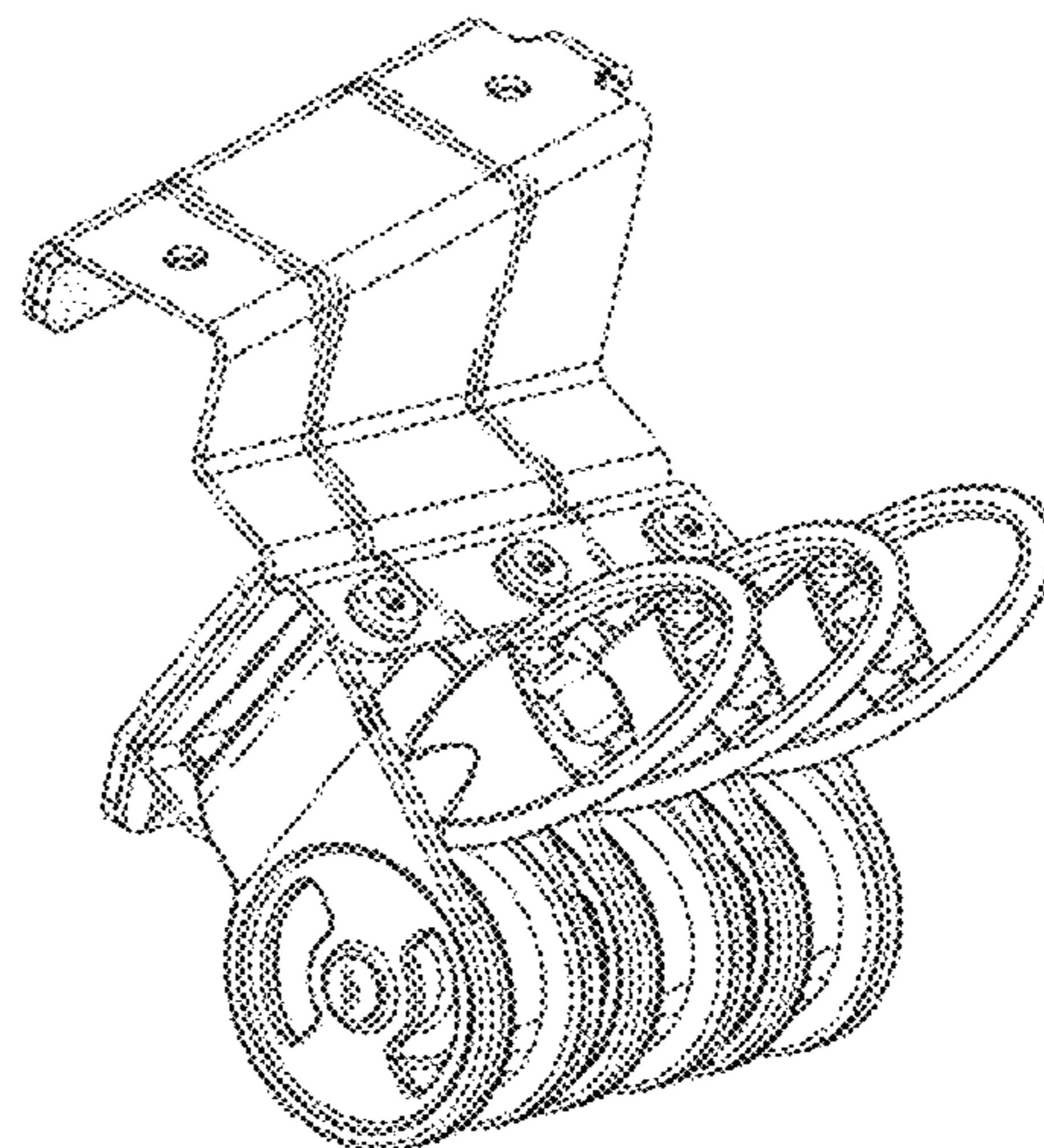
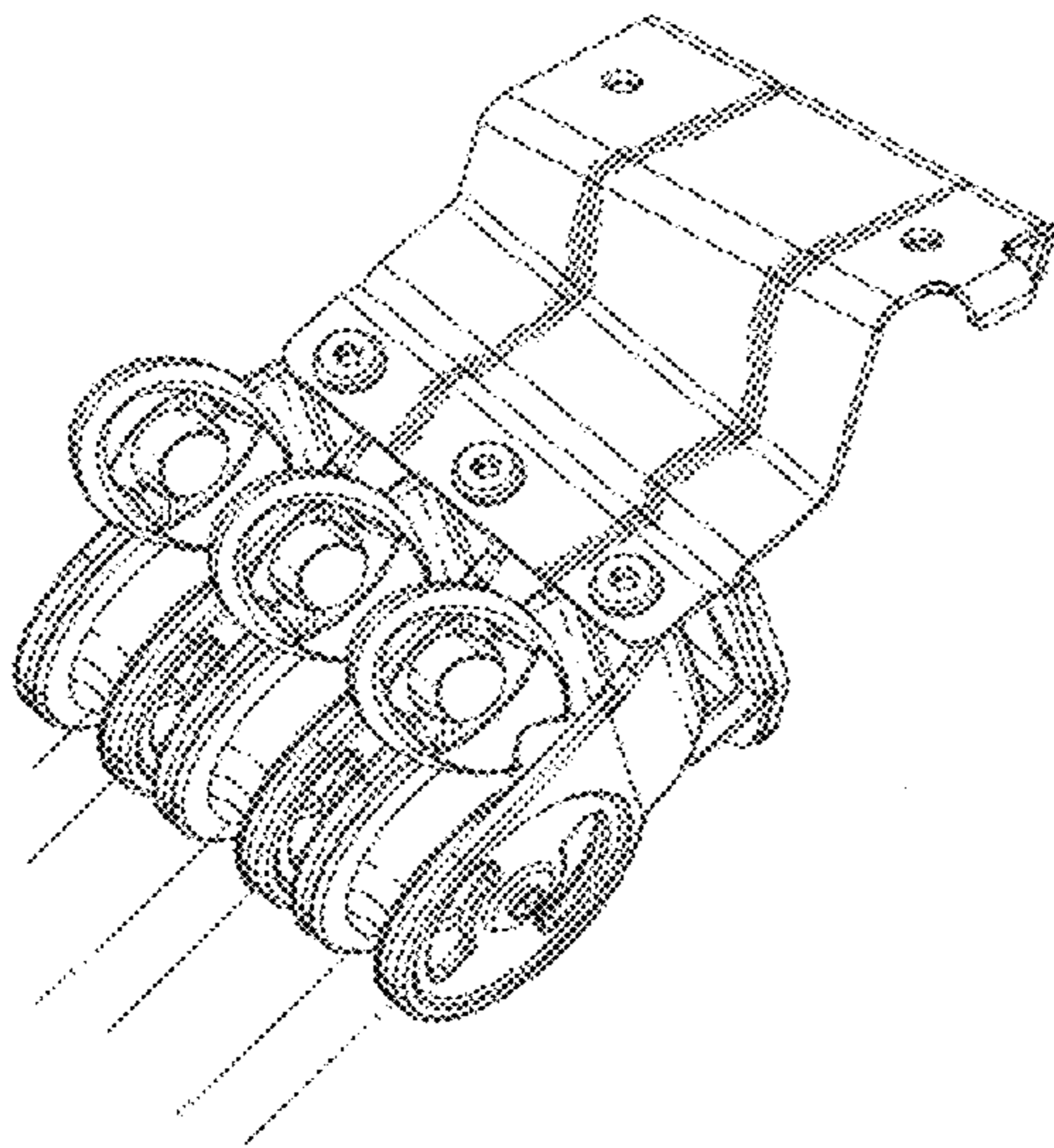
FIG. 7 is a right side perspective view of the pulley device of FIG. 1;

FIG. 8 is a left side perspective view of the pulley device of FIG. 1; and,

FIG. 9 is a perspective view of the pulley device of FIG. 1, shown in condition of use.

The broken lines illustrate environmental structure and form no part of the claimed design.

1 Claim, 5 Drawing Sheets



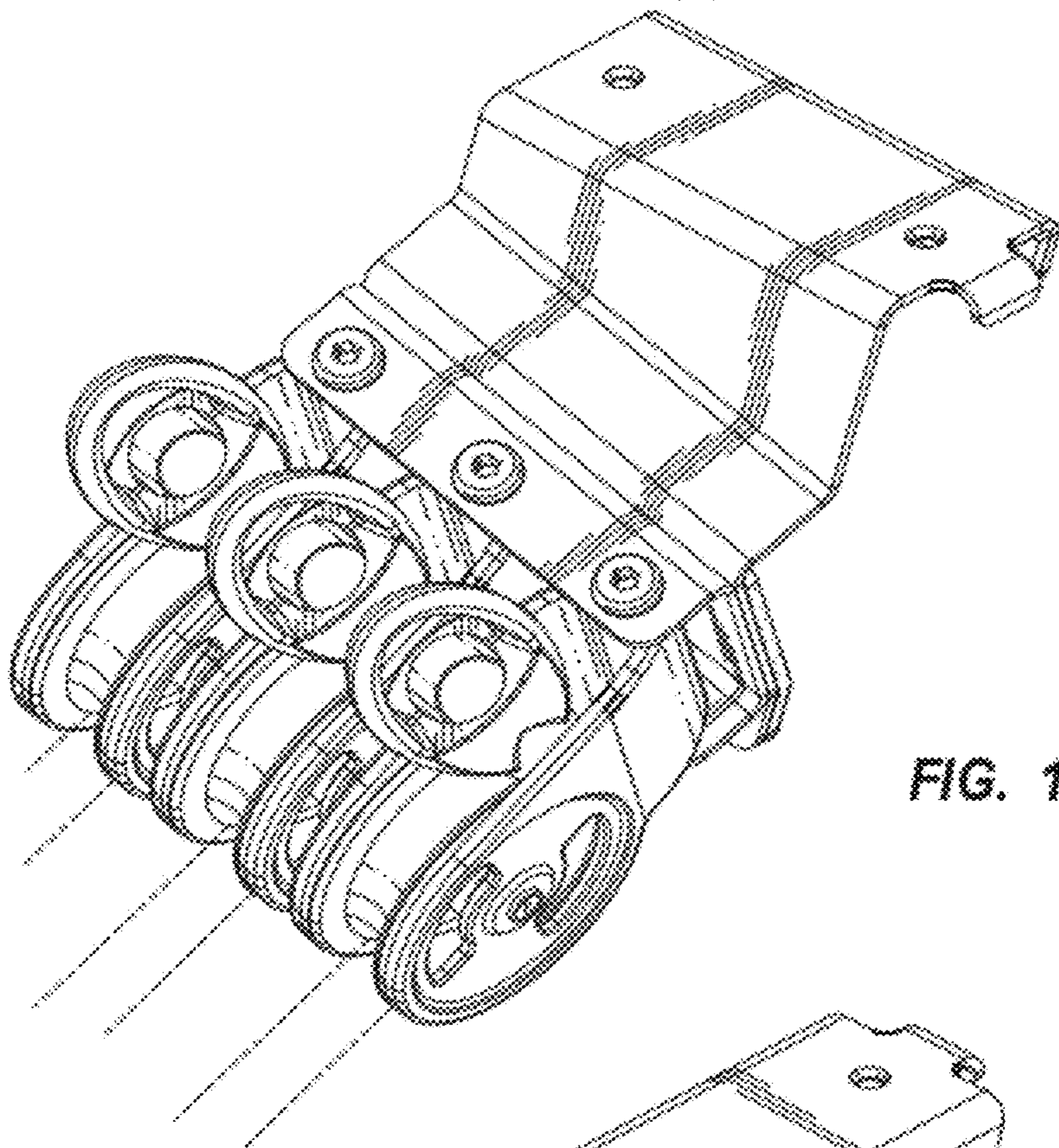


FIG. 1

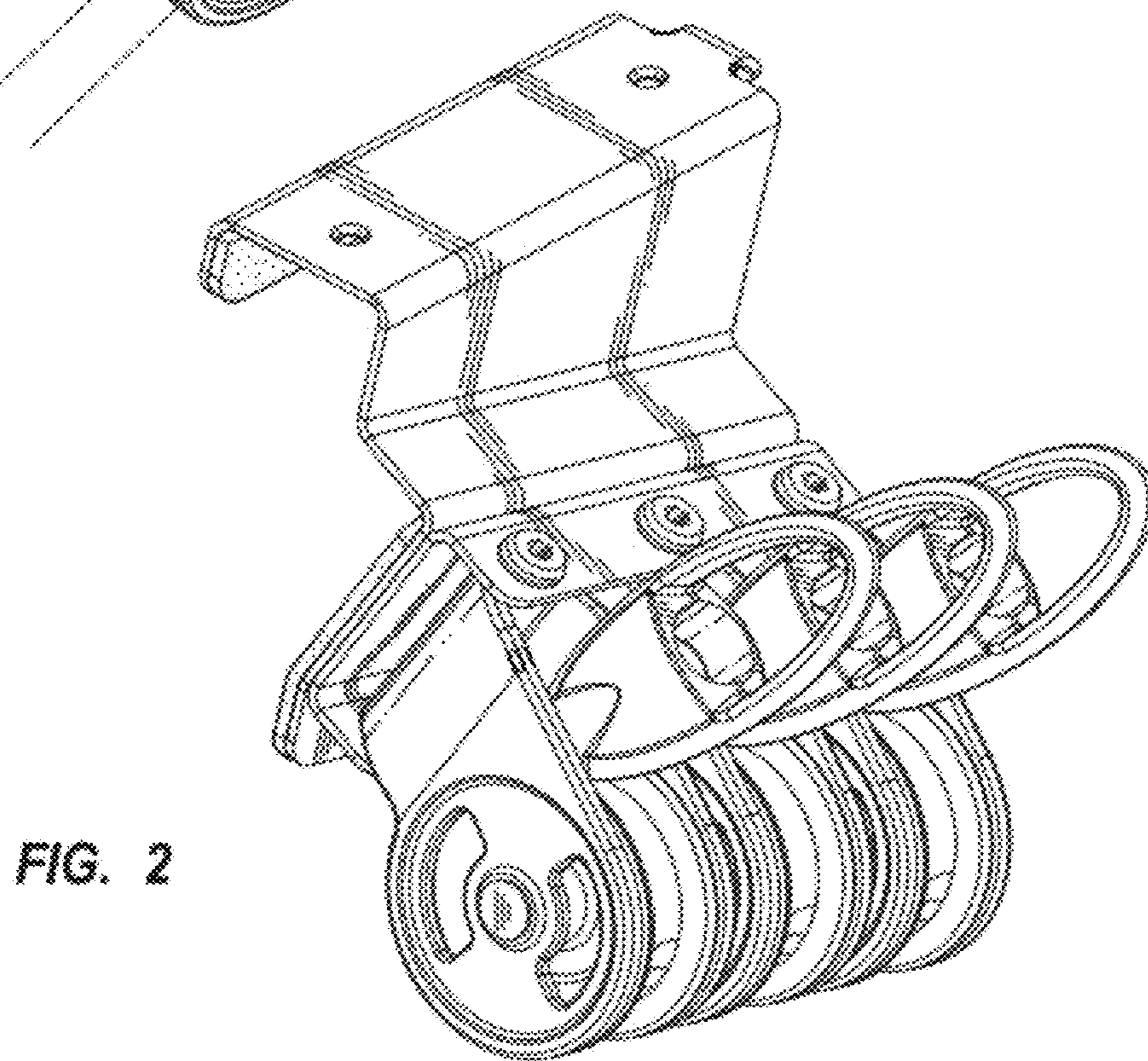


FIG. 2

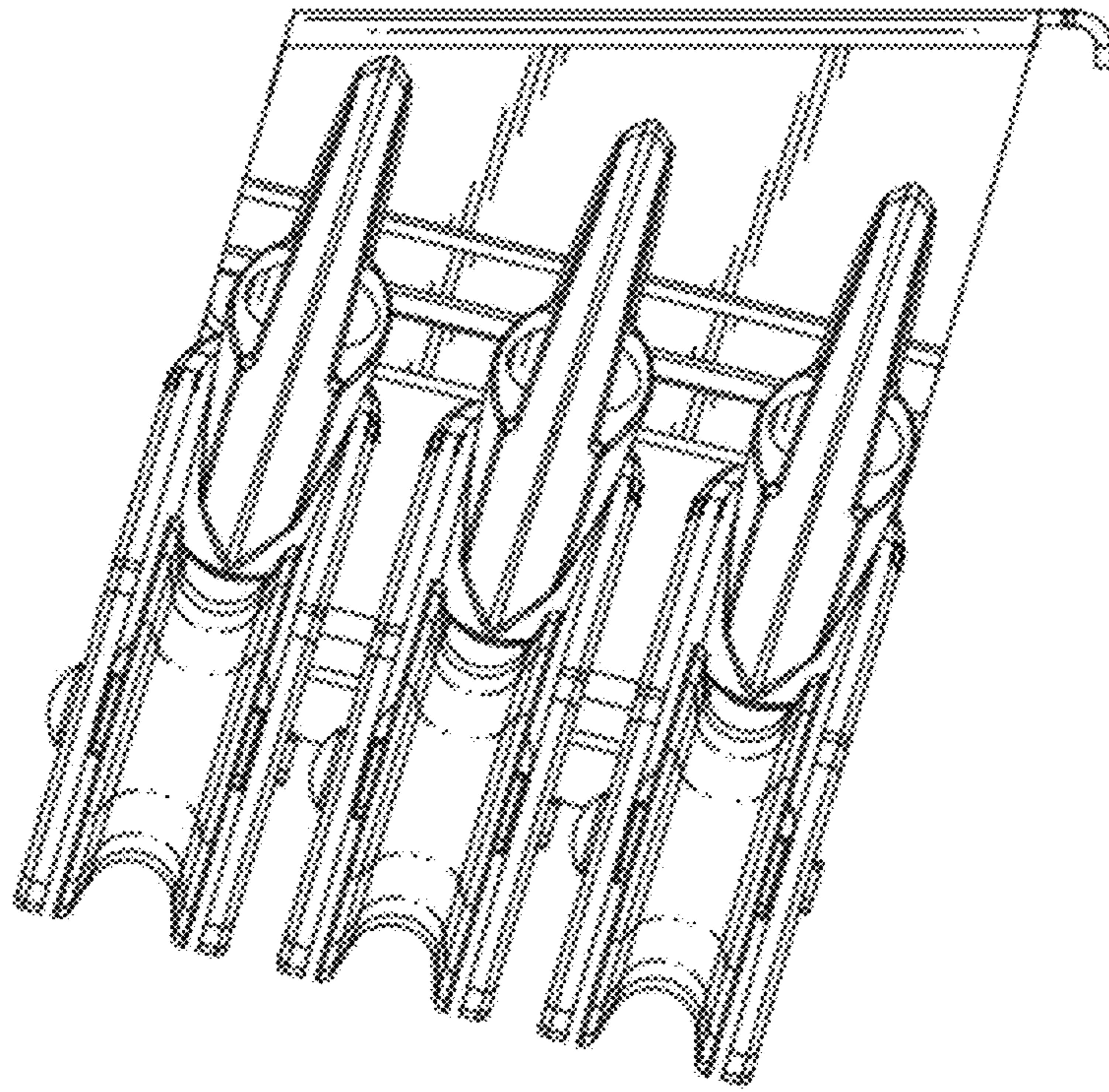


FIG. 3

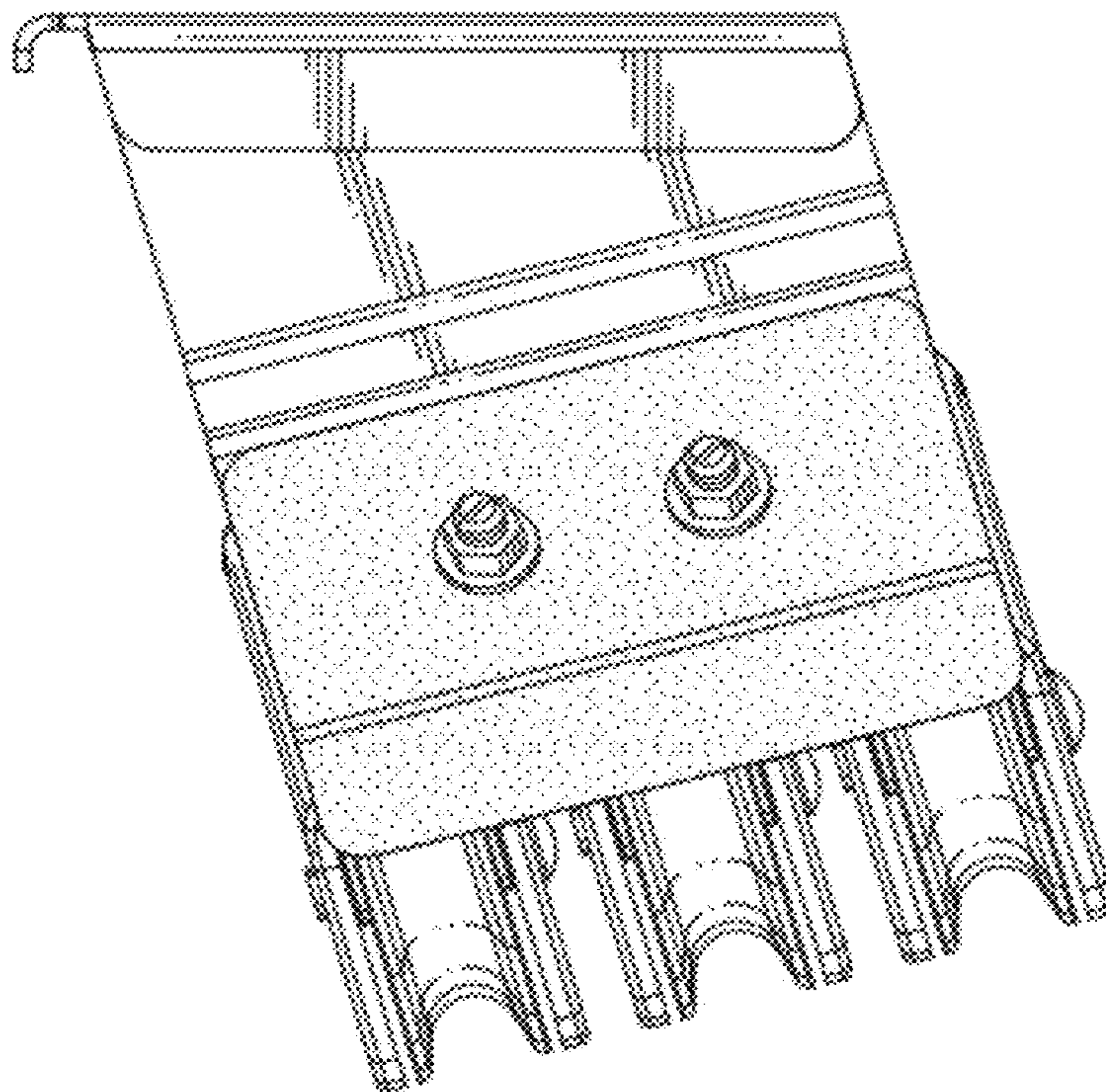


FIG. 4

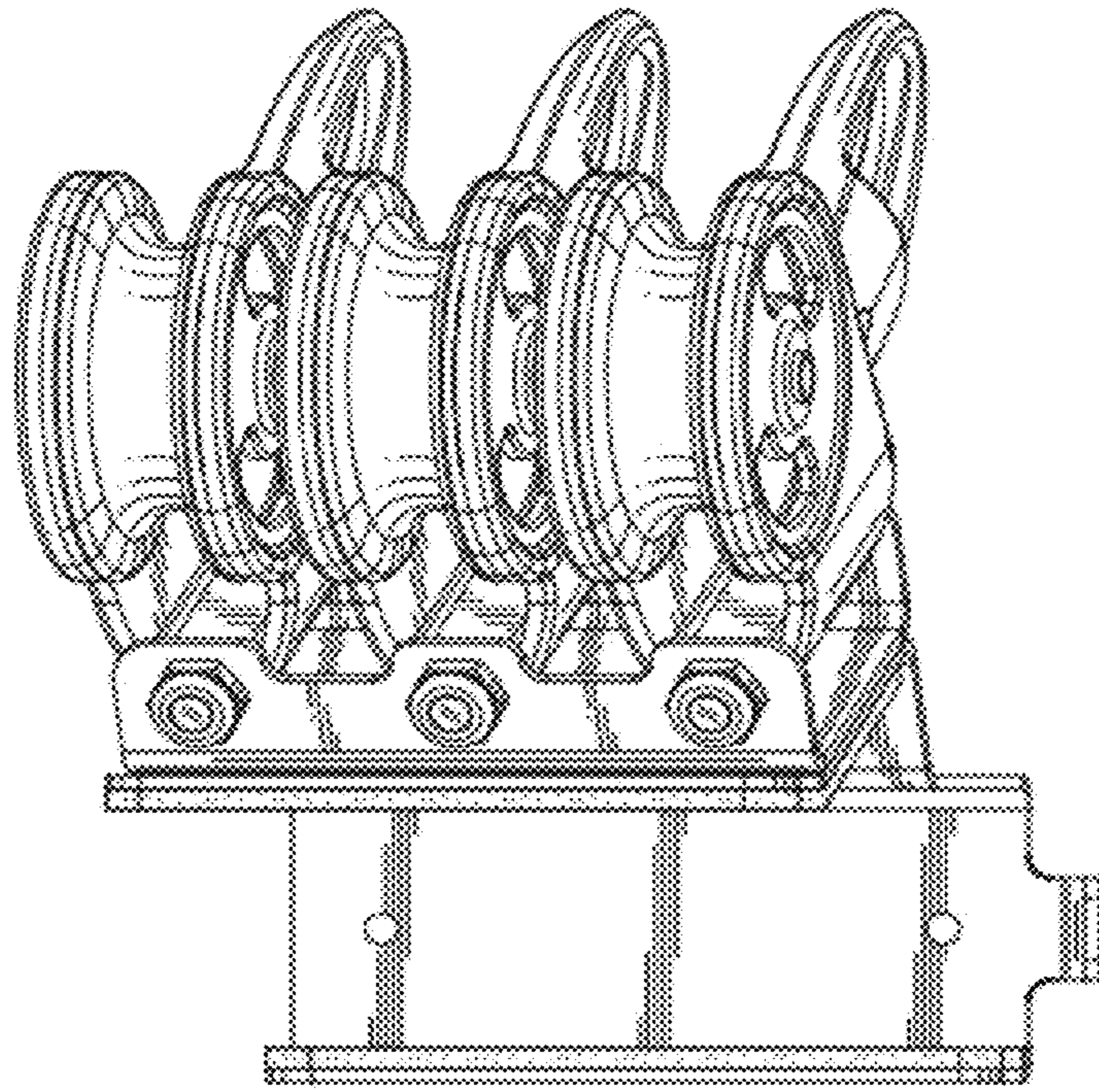


FIG. 5

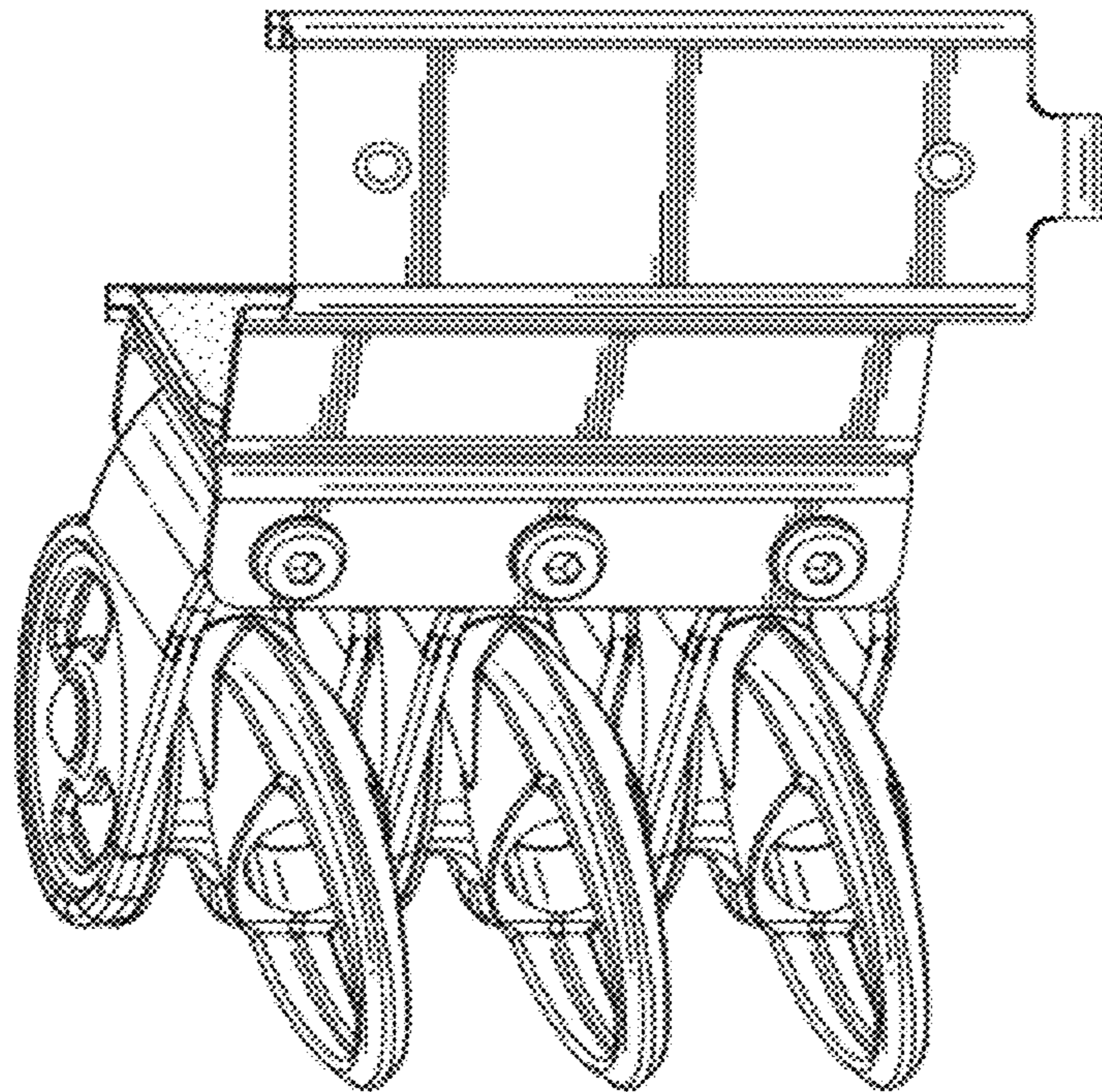


FIG. 6

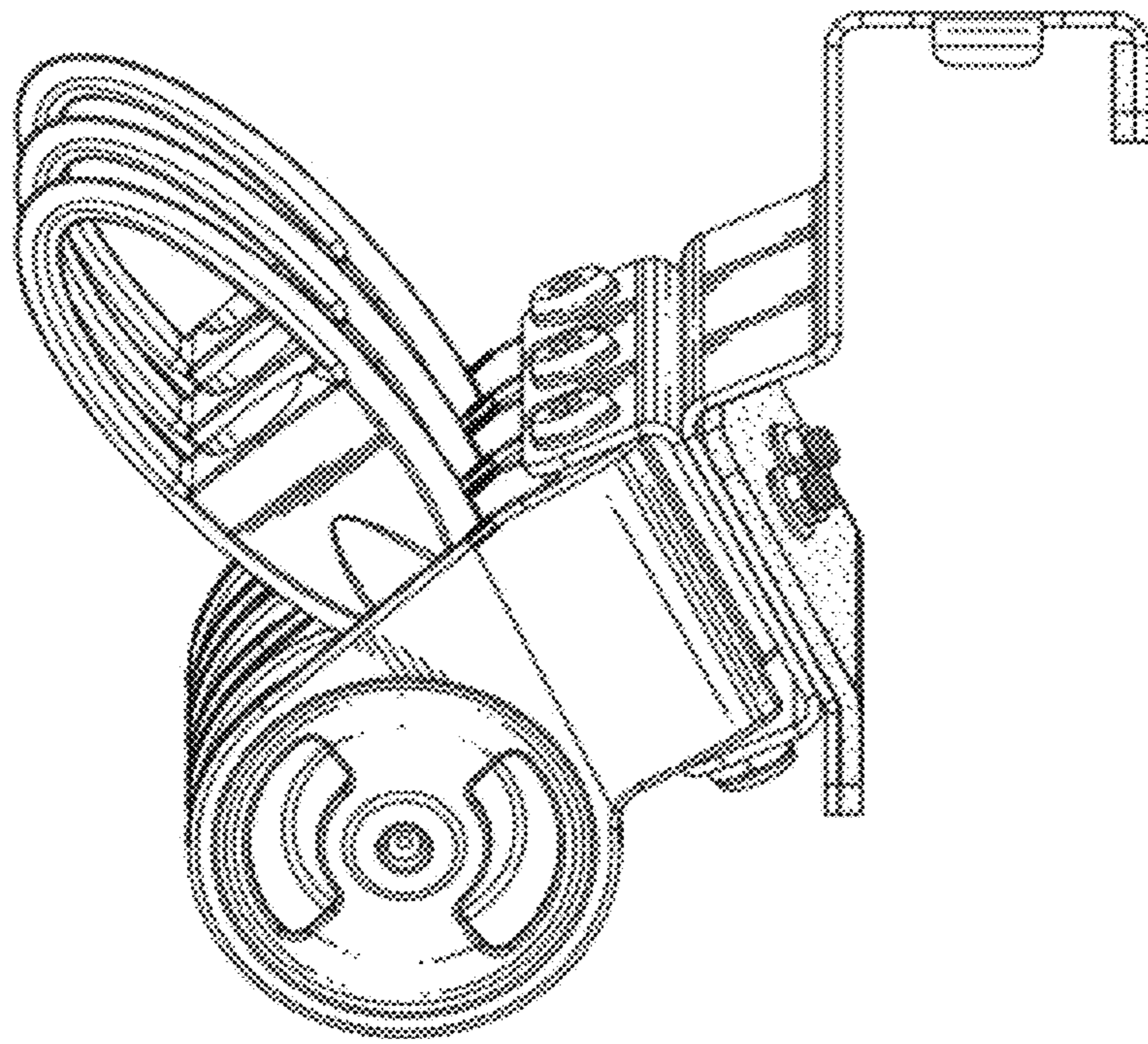


FIG. 7

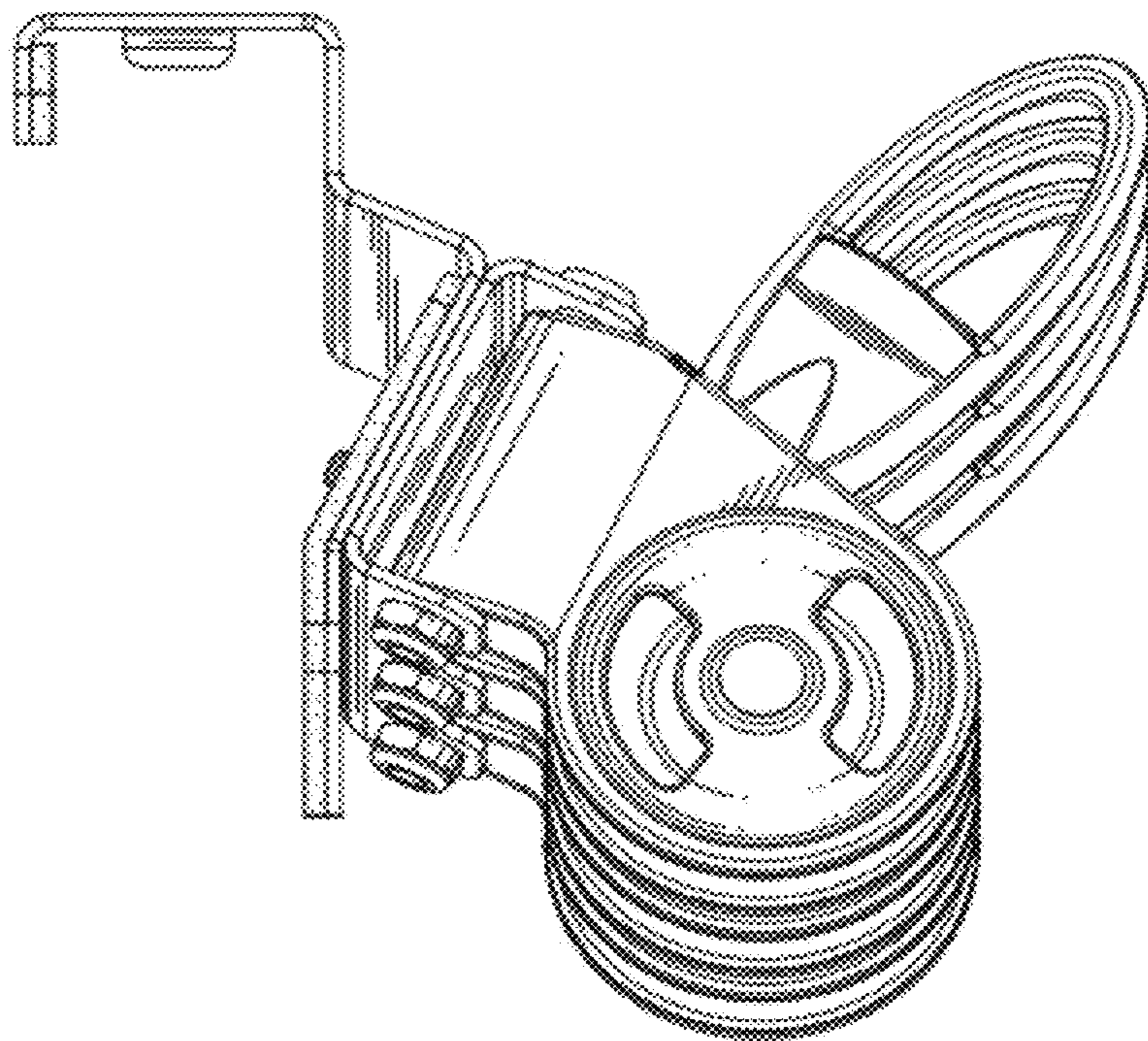


FIG. 8

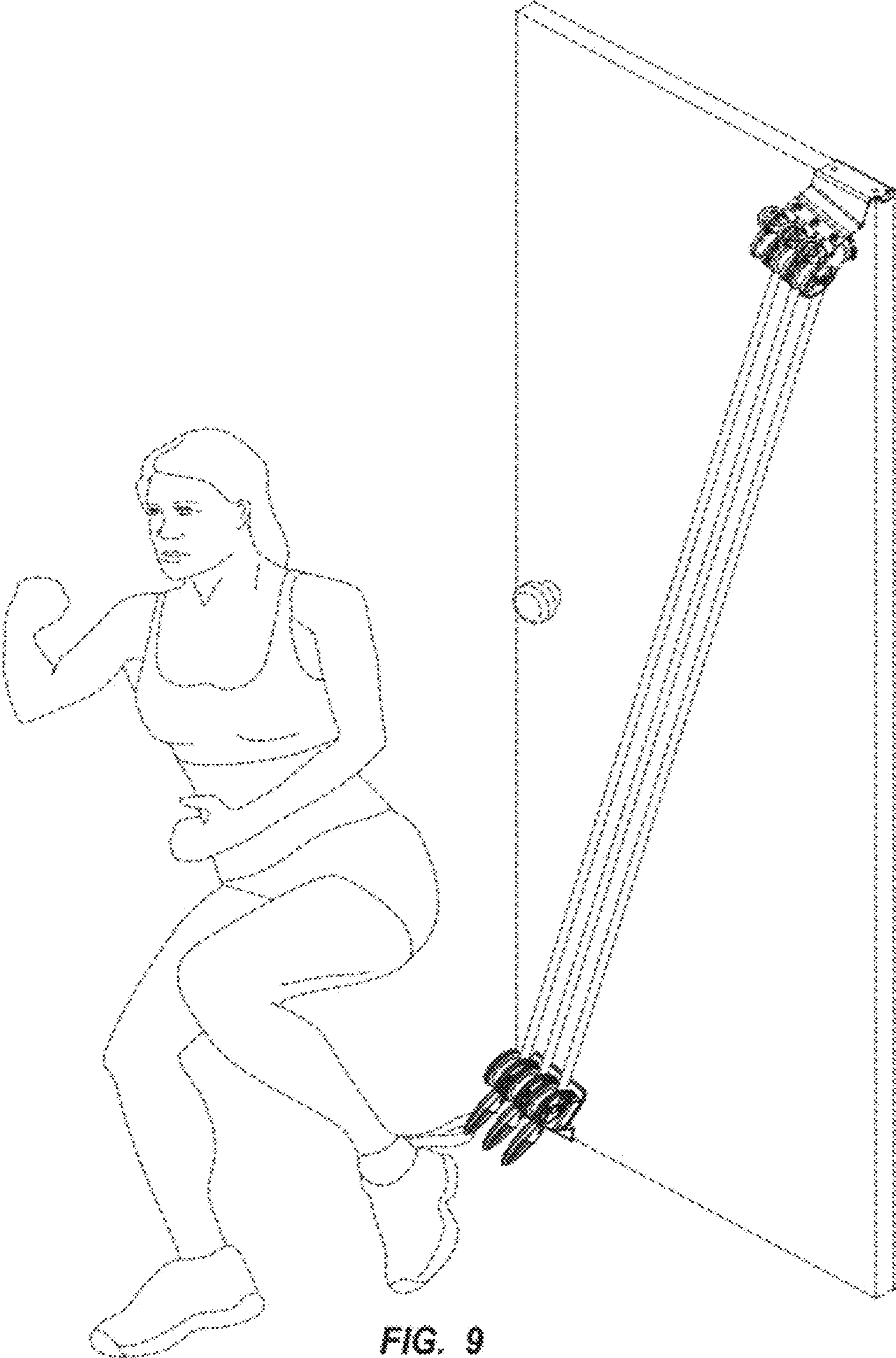


FIG. 9